



RT HD 54in Mower

Model No. SRHD154999KX

PRELIMINARY

Parts Catalog



Ordering Replacement Parts

To order replacement parts, please supply the part number, the quantity, and the description of each part desired.

Understanding Reference Numbers

Each identified part in an illustration has a reference number. The reference number for a part also appears in the parts list, along with other information about the part.

This catalog uses two special reference number formats, one to indicate parts in a service assembly and another to indicate the quantity of a given part in an illustration.

Service Assembly Reference Numbers

Parts in service assemblies have reference numbers in the form a:b. The a represents the reference number of the entire service assembly and the b represents a sequential number unique to each part within the service assembly.

For example, a wheel assembly might be identified by reference number 6, the tire by 6:1, the valve by 6:2, and the wheel by 6:3. When you order the assembly identified by reference number 6, you receive all parts identified by reference numbers 6:1, 6:2, and 6:3. However, you may also order any part individually. Reference numbers of this type appear in illustration and in parts lists.

Reference Numbers Indicating Quantity

In an illustration, if a reference number indicates more than one part, the reference number has the form nX y. The n represents the quantity of the part, the X is the multiplication symbol, and the y represents the reference number.

For example, in an illustration, the reference number 2X 37 means that two of the parts identified by reference number 37 are indicated.

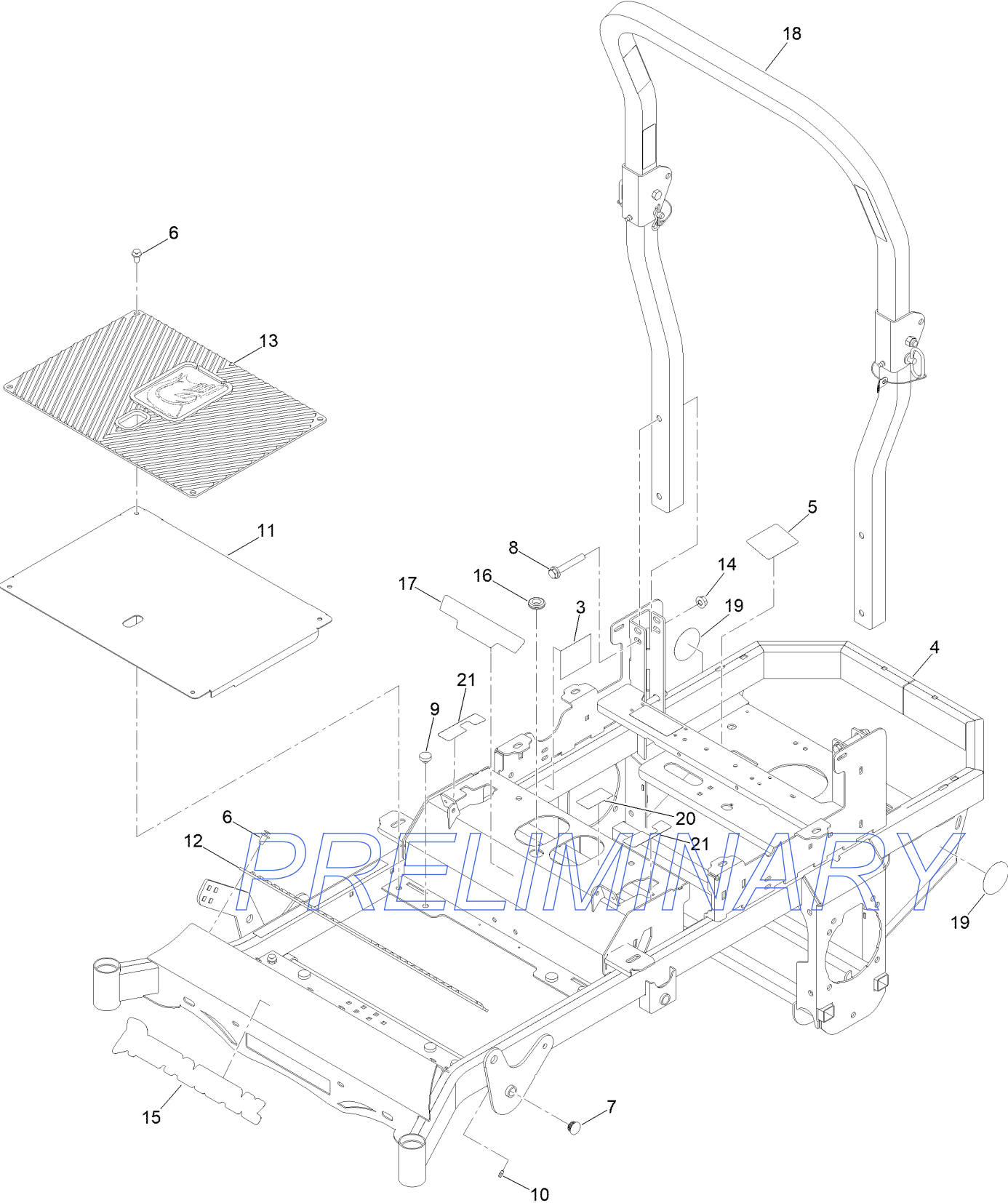
PRELIMINARY

Contents

Main Frame Assembly	4
Frame with Decals Assembly No. 148-0444	6
Transmission Assembly	8
Body Styling Assembly	10
Fuel Tank Assembly	12
Seat Assembly	14
Motion Control and Parking Brake Assembly	16
Caster Tire Assembly	18
Drive Wheel Assembly	20
Electrical Assembly	22
Decklift Assembly	24
Engine Assembly	26
54 Inch Cutting Deck Assembly	28
Deck Decal Assembly No. 148-0786	30
Seat Suspension Assembly	32

PRELIMINARY

Main Frame Assembly



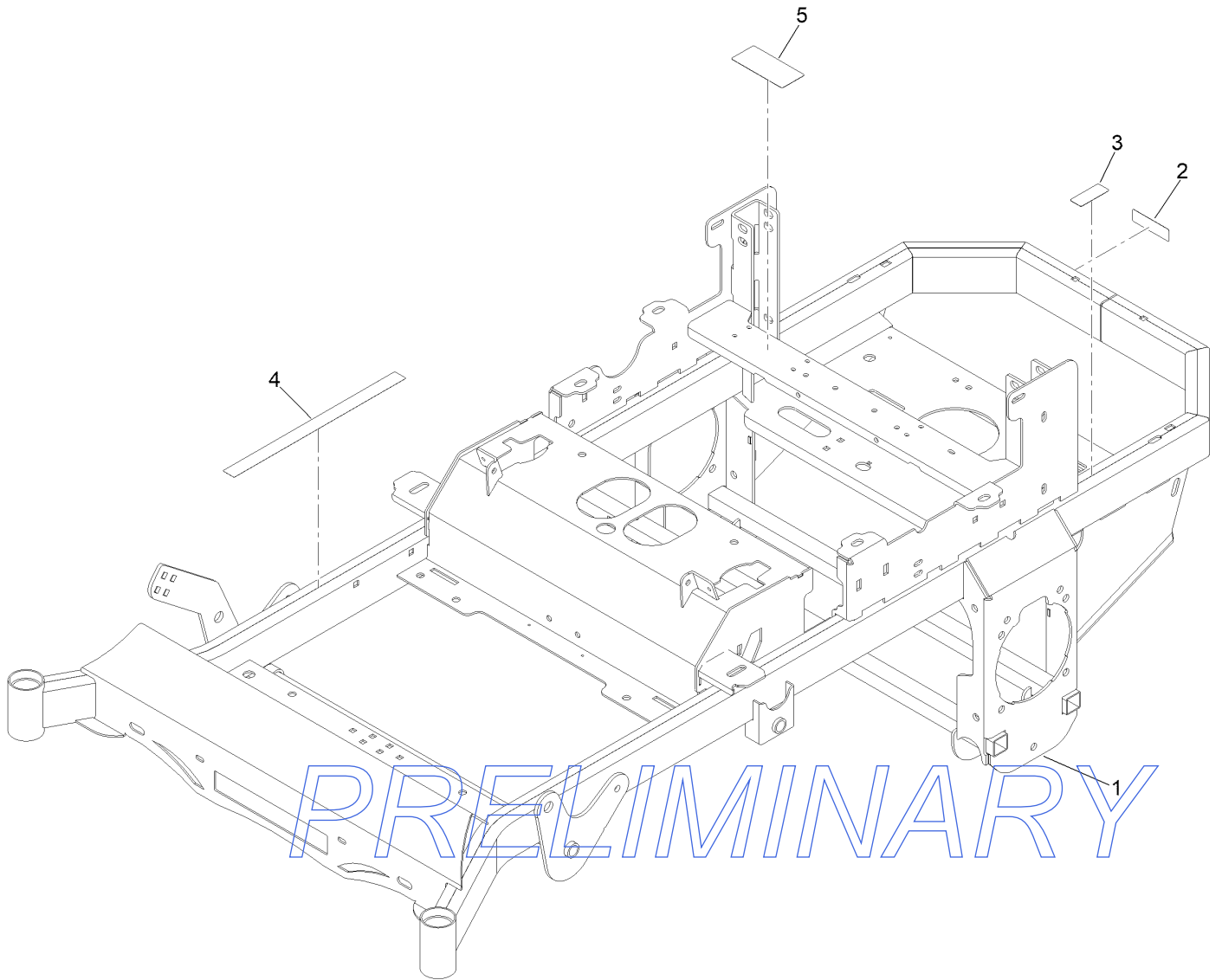
PRELIMINARY

Main Frame Assembly (continued)

<i>Ref.</i>	<i>Part Number</i>	<i>Qty.</i>	<i>Description</i>	<i>Ref.</i>	<i>Part Number</i>	<i>Qty.</i>	<i>Description</i>
3	148-0426	1	Decal-E P A	12	481-0005-00	1	Mwr Rubber Foot Rest Mat
4	148-0444	1	ASM Frame W/ Decals	13	481-0006-00	1	Mwr Logo Floor Mat
5	148-0466	1	Decal-Pump Belt Routing-Parker	14	413-0014-00	4	1/2-13 Hex Stover Locknut GR C Zinc
6	414-0002-00	10	8MM Push Type Retainer Nylon Black	15	148-0801	1	Decal-Spartan, Front
7	414-0015-00	2	1-1/4 In Round Tube Plug	16	240-6	1	Grommet-Rubber
8	418-0019-00	4	Bolt-HF	17	491-0202-00	1	2022 Rt-HD W/Gt Trac Decal
9	429-0002-00	4	Push-In Rubber Bumper Mwr Floor	18	497-0002-00	1	Mwr Fold Down ROPS
10	624-1000-00	2	1/4 Drive Type Straight Grease Fittng Zc	19	491-0038-00	2	Mwr Parker Pump Decal
11	439-0007-00-P11	1	Mwr Floorboard Paint	20	148-0857	1	Decal-Weight, Seat
				21	148-0259	1	Decal-Motion Control

PRELIMINARY

Frame with Decals Assembly No. 148-0444



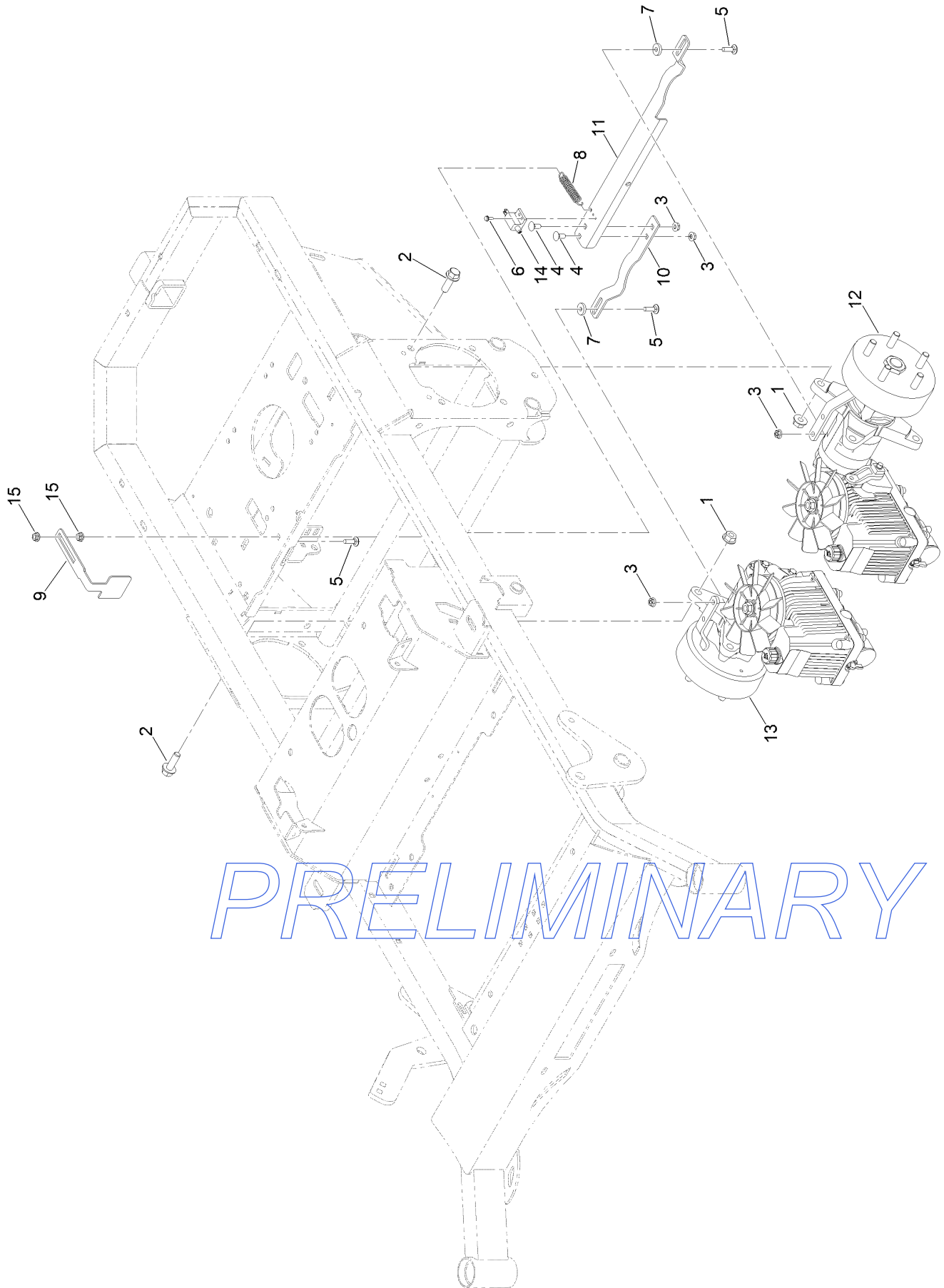
Frame with Decals Assembly No. 148-0444 (continued)

<i>Ref.</i>	<i>Part Number</i>	<i>Qty.</i>	<i>Description</i>	<i>Ref.</i>	<i>Part Number</i>	<i>Qty.</i>	<i>Description</i>
1		1	Frame ASM - Rt Painted ●	4	142-7754	1	Decal-Warning
2	147-7364	1	Decal-Hitch	5	125-6127	1	Decal-Rotating Fan Hazard
3	127-0392	1	Decal-Hot Surface				

PRELIMINARY

● Not serviced separately

Transmission Assembly

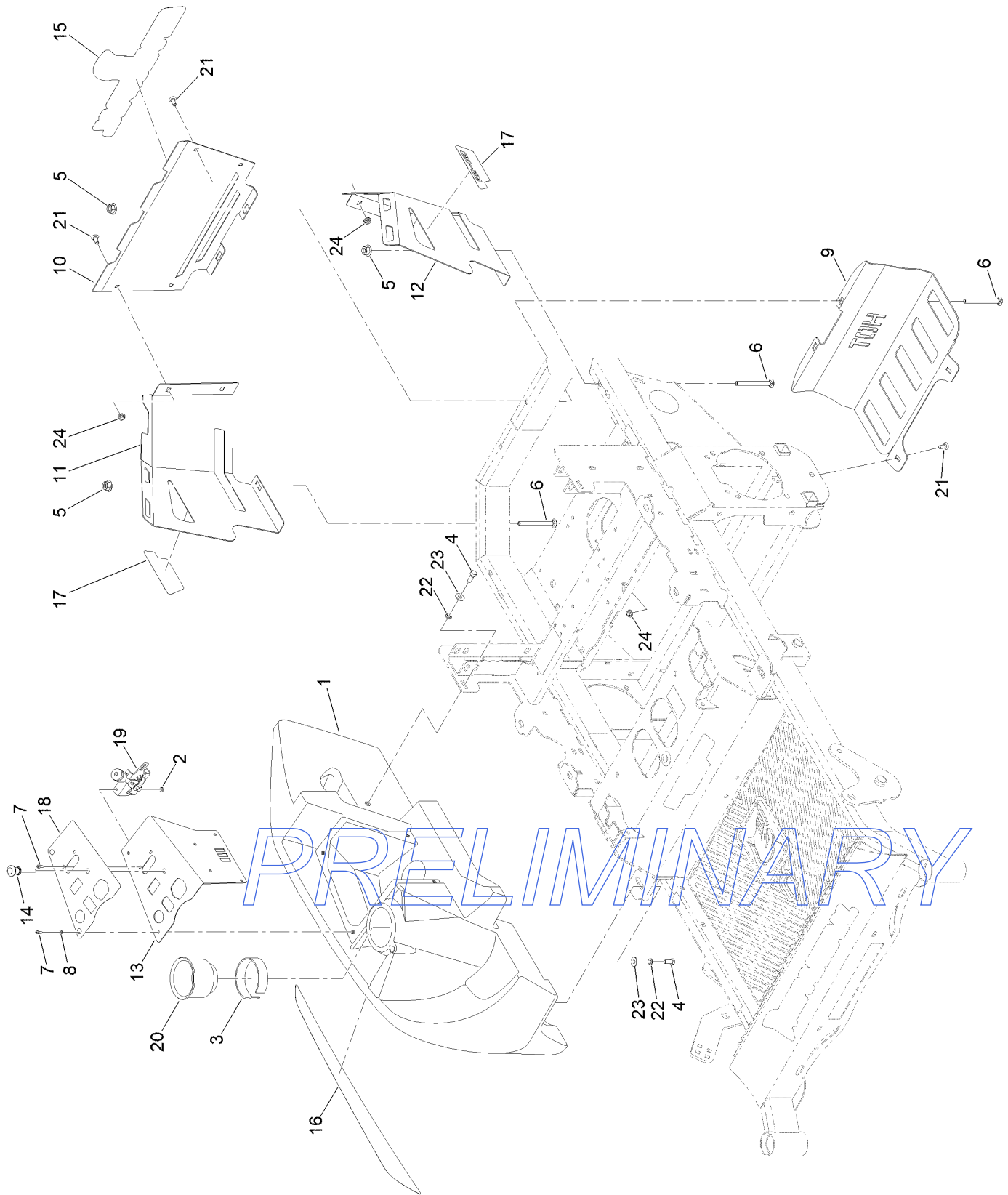


Transmission Assembly (continued)

<i>Ref.</i>	<i>Part Number</i>	<i>Qty.</i>	<i>Description</i>	<i>Ref.</i>	<i>Part Number</i>	<i>Qty.</i>	<i>Description</i>
1	32128-49	8	Nut-HHF	9	439-0066-00-P11	1	Stand Trans Brake Interlock Brkt Paint
2	100-6116	8	Screw-HHF	10	439-0606-00-P11	1	Mwr Park Brake Brkt Rt Paint
3	413-0019-00	4	5/16-18 Nylon Insert Flange L/Nut Zc	11	439-0607-00-P11	1	Mwr Park Brake Brkt Lt Paint
4	418-0008-00	2	Bolt-CARR	12	450-0005-00	1	Htj12 Parker Lt Side Hydrostatic Transm
5	418-0010-00	4	Bolt-CARR	13	450-0006-00	1	Htj12 Parker Rt Side Hydrostatic Transm
6	418-0032-00	2	8-32 X 1/2 Ind. HWH Slot Type F Tcs Zinc	14	486-0030-00	1	No Plunger Limit Switch
7	419-0006-00	2	.312 ID X .875OD X .1875 THK F/W NYL	15	413-0022-00	4	Nut-HF
8	434-0003-00	1	Mwr Brake Pedal Release Spring				

PRELIMINARY

Body Styling Assembly

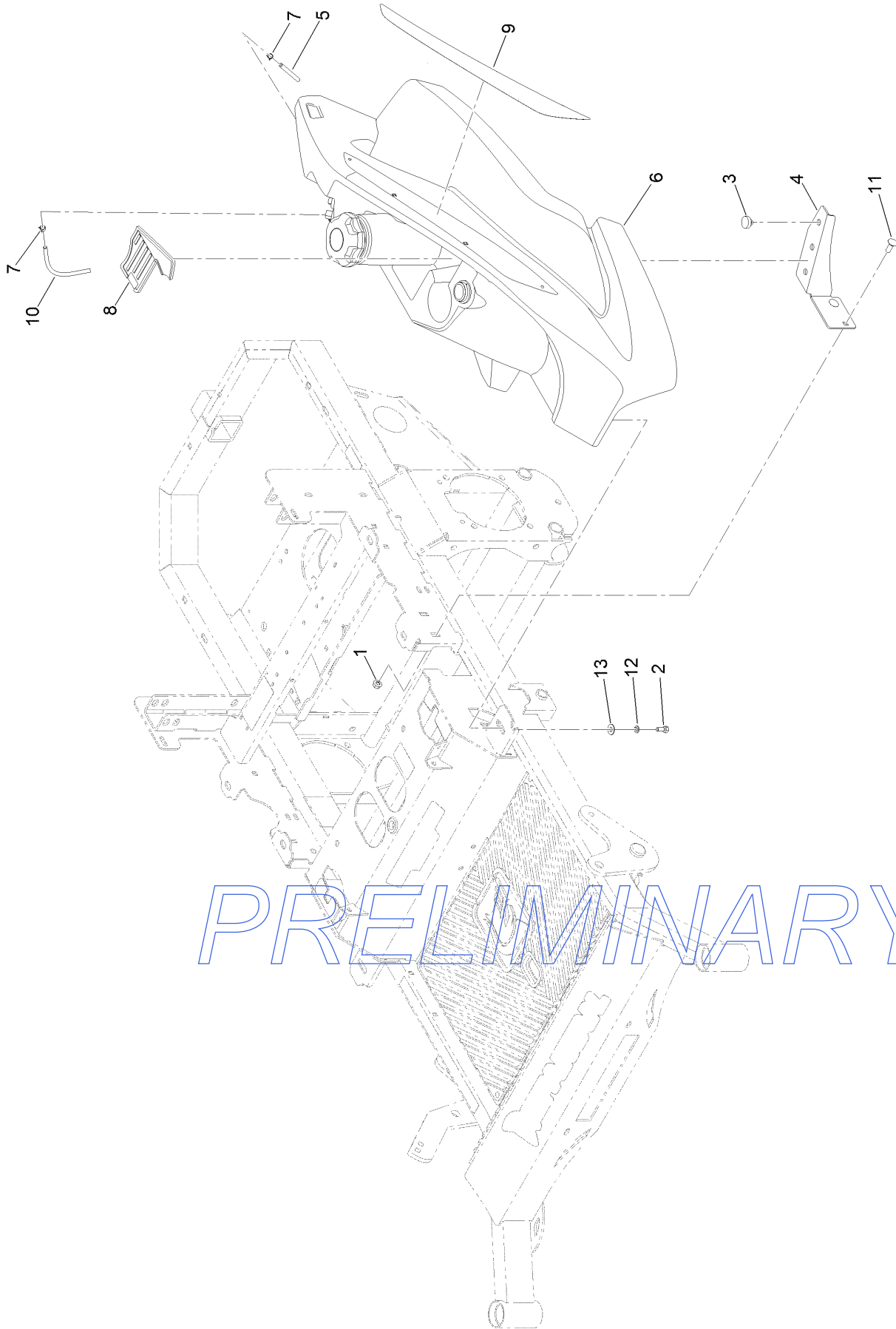


Body Styling Assembly (continued)

<i>Ref.</i>	<i>Part Number</i>	<i>Qty.</i>	<i>Description</i>	<i>Ref.</i>	<i>Part Number</i>	<i>Qty.</i>	<i>Description</i>
1	148-0307	1	Console W/ Cupholder	13	439-0895-00-P11	1	Control Panel Brkt Indiv Controls Paint
2	110-3145	2	Nut-Lock	14	464-0002-00	1	Mwr Choke Cable Assm
3	148-0770	1	Tape-Foam	15	491-0040-00	1	Mwr Rr Spartan Logo
4	418-0054-00	4	Screw-HH	16	491-0081-00	1	Mwr Fuel Tank Logo Rt Side
5	413-0029-00	4	Nut-Hex	17	491-0172-00	2	Rt-HD Model Decal
6	418-0018-00	4	3/8-16 X 4 Carriage Bolt Zinc	18	491-0233-00	1	Rz-HD/Rt/Srt/Kgz-Xde Keyswtch Consl Decl
7	418-0055-00	6	10-24 X 1/2 Socket C/S 18-8 SS	19	564-0004-00	1	Envy/Fx1000 Throttle Cable
8	419-0011-00	4	#10 Split Lockwasher 18-8 SS	20	780-2220-00	1	Cup Holder
9	439-0006-00-P11	1	Mwr Muffler Guard Paint	21	418-0008-00	6	Bolt-CARR
10	148-0896-P11	1	Plate - Engine Cowling	22	3253-4	4	Washer-Lock
11	439-0691-00-P11	1	2021 Rt/Srt Engn Cowling Rtpainted	23	419-0007-00	4	Washer-Flat
12	439-0692-00-P11	1	2021 Rt/Srt Engn Cowling Lt Painted	24	413-0022-00	6	Nut-HF

PRELIMINARY

Fuel Tank Assembly



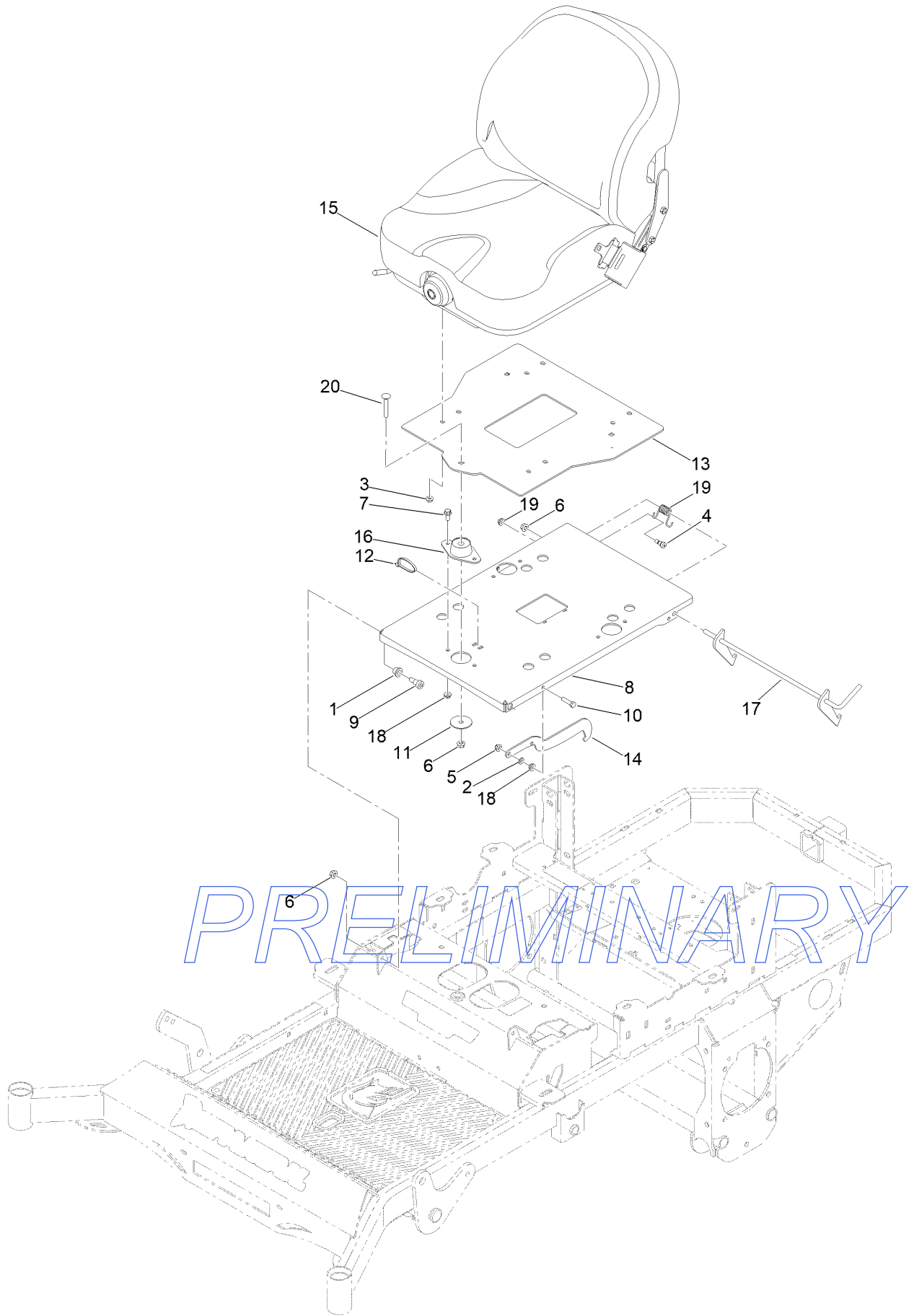
PRELIMINARY

Fuel Tank Assembly (continued)

<i>Ref.</i>	<i>Part Number</i>	<i>Qty.</i>	<i>Description</i>	<i>Ref.</i>	<i>Part Number</i>	<i>Qty.</i>	<i>Description</i>
1	413-0020-00	2	3/8-16 Hex Flange Nut W/Serr Zinc Yellow	7	472-0004-00	2	1/2In (#8) Hose Clamp
2	418-0054-00	4	Screw-HH	8	481-0004-00	1	Rubber Tank Storage Compartment Insert
3	429-0002-00	1	Push-In Rubber Bumper Mwr Floor	9	148-0844	1	Decal-Tank
4	439-0448-00-P11	1	Rt/Srt Gas Tank Support Painted	10	751-1014-00	10	1/4In SAE J30R7 Bulk Hose 1Ft
5	451-0002-00	10	Mwr Fuel Tank Black 3/16In Vent Tube 1Ft	11	418-0045-00	2	3/8-16 X 1 Carriage Bolt Yz GR.8
6	467-0001-00	1	Mwr Gasoline Fuel Tank Assy	12	3253-4	4	Washer-Lock
				13	419-0007-00	4	Washer-Flat

PRELIMINARY

Seat Assembly

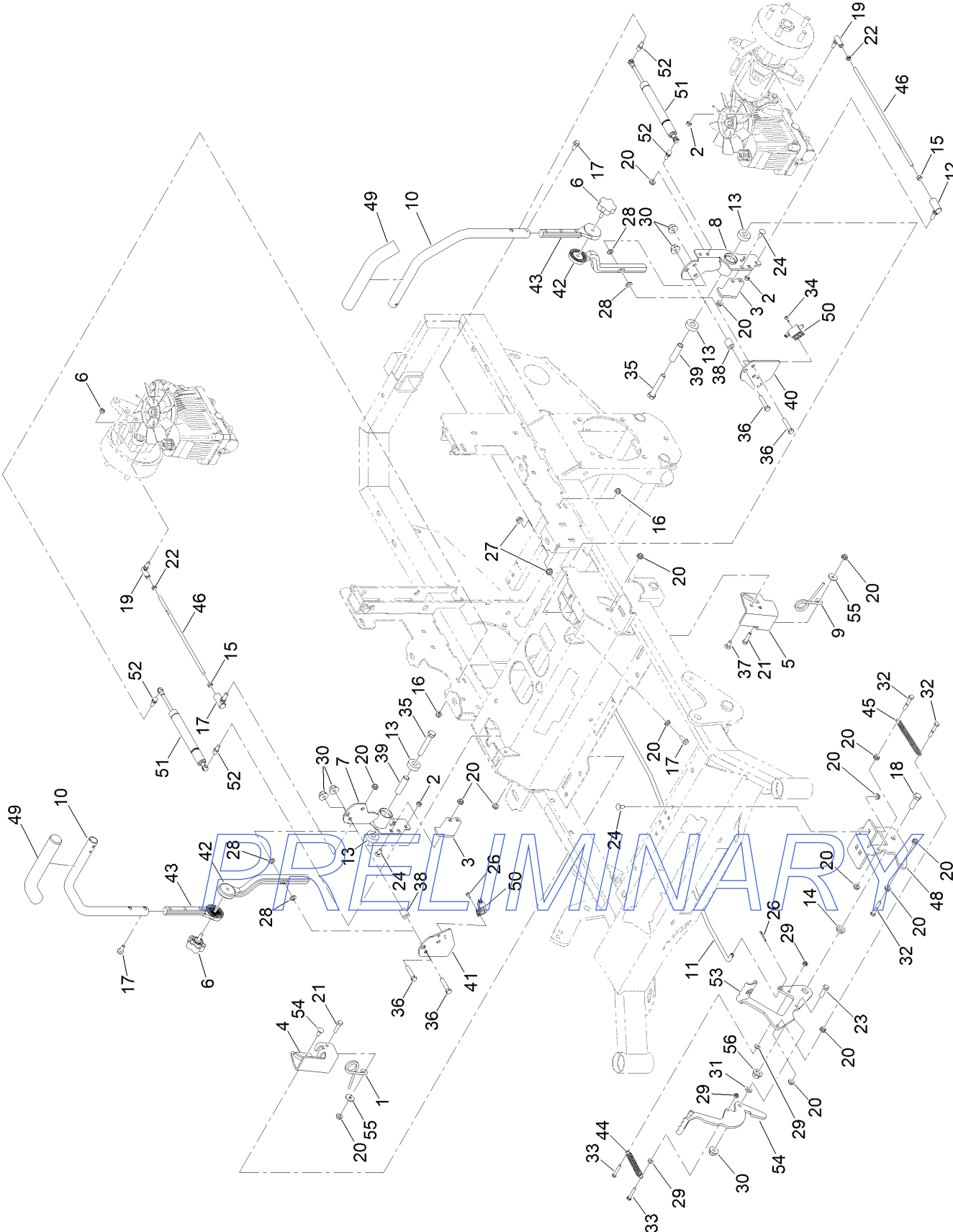


Seat Assembly (continued)

<i>Ref.</i>	<i>Part Number</i>	<i>Qty.</i>	<i>Description</i>	<i>Ref.</i>	<i>Part Number</i>	<i>Qty.</i>	<i>Description</i>
1	410-0010-00	2	1/2In ID X 5/8In OD X 1/2In Flange Bush	10	322-47	1	Screw-HH
2	413-0016-00	1	.312ldx.625Odx.062 THK Thrust Brg Oi Brz	11	419-0022-00	3	3/8 X 2In OD Fender Washer Yz
3	413-0019-00	4	5/16-18 Nylon Insert Flange L/Nut Zc	12	414-0001-00	1	6In (40 Lb) Cable Tie Nylon Uv
4	1-809056	1	Screw-HSH Shldr	13	426-0231-00-P11	1	2019 Upgrade Seat Plate Paint
5	413-0027-00	1	Nut-HF, NI	14	439-0065-00-P11	1	Mwr Seat Latch Hook Paint
6	413-0029-00	6	Nut-Hex	15	471-0015-00	1	2019 Full Susp Seat
7	116-7230	6	Screw-HHF	16	487-0007-00	3	Floating Seat Damper-Stiffer
8	148-0290	1	ASM, Plate-Seat Base Upgrade W/ Decals	17	490-0011-61	1	Mwr Seat Latch Release Assy Abc
8	426-0232-00-P11	1	2019 Upgrade Seat Base Plate Paint	18	413-0022-00	8	Nut-HF
9	418-0038-00	2	1/2 X 1/2 Socket Shoulder Bolt Zc Yellow	19	434-0004-00	1	Mwr Seat Latch Spring
				20	618-2023-00	3	3/8In-16 X 2-1/2In GR 8 Carriage

PRELIMINARY

Motion Control and Parking Brake Assembly



Motion Control and Parking Brake Assembly (continued)

Ref.	Part Number	Qty.	Description	Ref.	Part Number	Qty.	Description
1	138-7539	1	Spring-Torsion	32	418-0027-00	3	Bolt-HH
2	148-0178	4	5/16-24 NYL INS L/N GR.8 Zc/Yel	33	418-0029-00	2	1/4-20 X 1-1/4 Hex C/S GR 2 Zinc
3	148-0185-P11	2	Reverse Detent Kick Plate	34	418-0032-00	4	8-32 X 1/2 Ind. HWH Slot Type F Tcs Zinc
4	148-0186-P11	1	Reverse Dentent Spring Base (RH)	35	418-0050-00	2	1/2-13 X 3 Hex C/S GR 5 Zinc W/Loctite
5	148-0187-P11	1	Reverse Dentent Spring Base (LH)	36	418-0051-00	6	3/8-16 X 1-3/4 Hex C/S GR 2 Zinc
6	148-0228	2	5/16-18 X 1 SI 5-Lobe Male ST Knob 1.90	37	418-0060-00	4	5/16-18 X 1 Carriage Bolt GR 8 Yz
7	148-0245-P11	1	Motion Control Brkt	38	425-0003-00	4	Mwr Drive Arm Spacer
8	148-0246-P11	1	Motion Control Brkt	39	425-0004-00	2	Mwr Drive Arm Hub / Deck Lift Arm Spacer
9	148-0262	1	Spring- Lt Reverse Detent	40	426-0002-00-P11	1	Lt Control Arm Limit Switch Plate Paint
10	403-0020-10-P11	2	Mower Drive Handle Tube Abc	41	426-0003-00-P11	1	Rt Control Arm Limit Switch Plate Paint
11	435-0004-00	1	Mwr Brake Linkage	42	431-0002-00	2	Adjustable Lwr Drive Arm
12	410-0002-00	2	Control Arm Rod End Lt	43	431-0003-00	2	Adjustable Upp Drive Arm
13	410-0005-00	4	5/8In ID X 1-3/8In OD X 7/16In THK Brg	44	434-0003-00	1	Mwr Brake Pedal Release Spring
14	410-0009-00	1	1/2In ID X 3/4In OD X 3/8In Flange Bush	45	434-0015-00	1	2020 Mwr Brake Pedal Tension Spring
15	09207	2	Nut	46	435-0002-00	2	Trans Drive Arm Linkage Standard Trans
16	413-0027-00	2	Nut-HF, NI	48	439-0009-00-P11	1	Mwr Frame Brake Mtg Brkt Paint
17	116-7230	6	Screw-HHF	49	484-0001-00	2	Control Arm Handle Grip
18	139-2631	1	Screw-HH	50	486-0030-00	2	No Plunger Limit Switch
19	2411-33	2	Balljoint-RH (W/Grommet)	51	487-0001-00	2	Control Arm Damper
20	413-0022-00	23	Nut-HF	52	487-0008-00	4	5/16-18X1.286 Damper Ball Stud (.562 TI)
21	322-47	2	Screw-HH	53	490-0016-00-P11	1	Mwr Brake Lock Lever Assy Painted
22	3220-20	2	Nut-Jam	54	490-0017-00-P11	1	Mwr Brake Unlock Lever Assy Painted
23	323-7	1	Screw-HH	55	619-4004-00	2	Striker Post Fender Washer
24	418-0008-00	7	Bolt-CARR	56	413-0002-00	1	Nut-Lock
26	3272-11	1	Pin-Cotter				
27	413-0020-00	2	3/8-16 Hex Flange Nut W/Serr Zinc Yellow				
28	410-0011-00	4	3/8 X 3/4 Bronze Washer				
29	413-0012-00	4	1/4-20 Hex Flange Nut				
30	413-0013-00	7	3/8-16 Nylon Insert Flange L/Nut Yz				
31	413-0052-00	1	3/8 ID X 3/4 OD X .125 THK Bronze Washer				

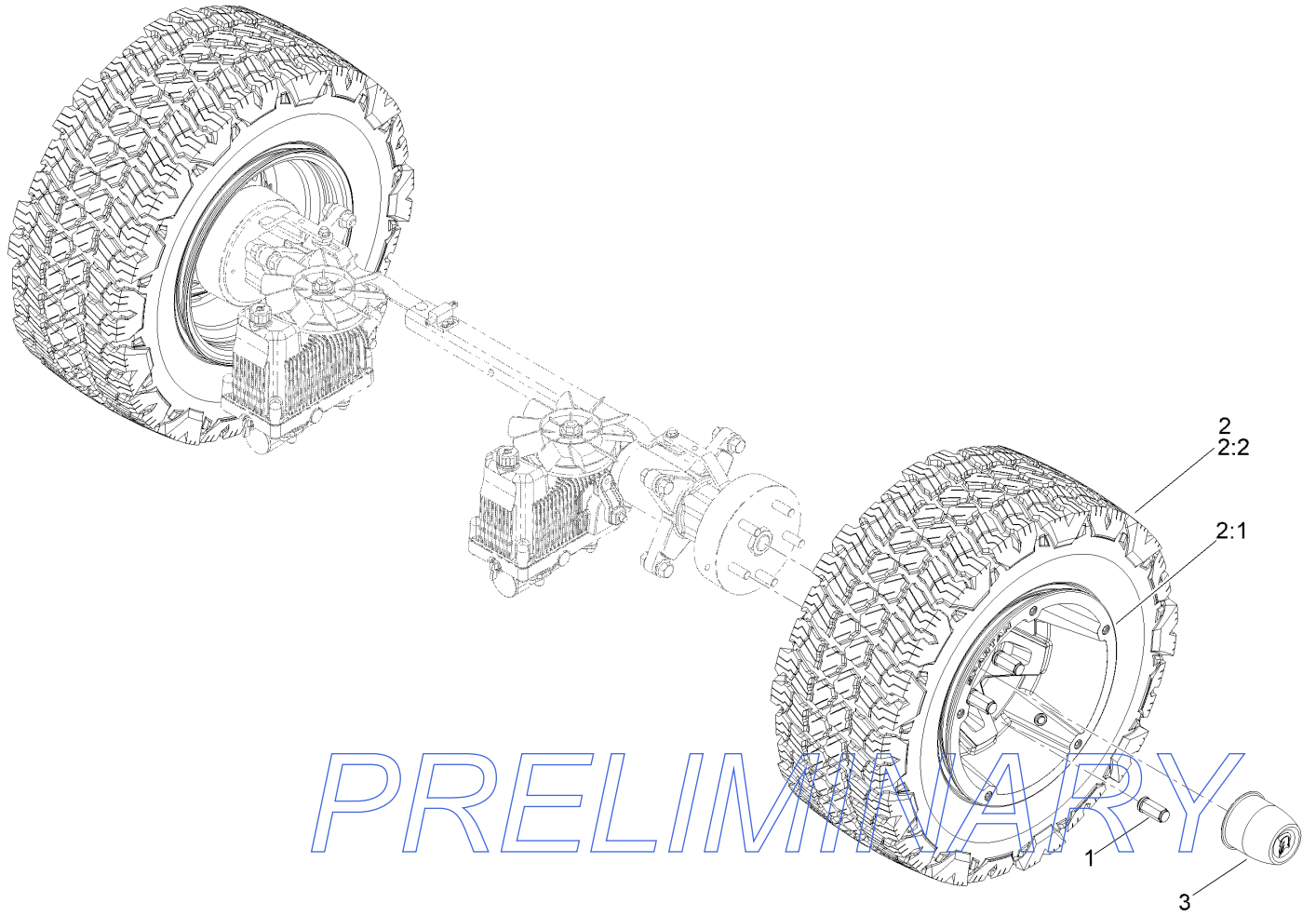
PRELIMINARY

Caster Tire Assembly (continued)

<i>Ref.</i>	<i>Part Number</i>	<i>Qty.</i>	<i>Description</i>	<i>Ref.</i>	<i>Part Number</i>	<i>Qty.</i>	<i>Description</i>
1	103-3540	4	Bearing-Ball	9	419-0025-00	2	Ft Hub Plastic Washer
2	410-0018-00	4	Rz Ft Wheel Bearing	10	422-0042-00	2	Spartan Radial Ft Tire And Wheel Assm
3	426-0006-00-P11	2	Mwr Caster Shaft Washer	11	423-0001-00-P11	2	Rt And Srt Caster Wheel Fork
4	413-0063-00	2	Nut-Hex	12	425-0010-00	2	Mwr Ft Wheel Spanner
5	418-0002-00	2	1/2-20 X 1-1/4 Hex Flange Bolt GR 8 Yz	13	425-0011-00	2	Caster Fork Shaft Bearing Spacer
6	418-0003-00	2	1/2-13 X 8-1/2 Hex C/S GR 5 Zinc Yellow	14	413-0002-00	2	Nut-Lock
7	419-0003-00	2	1/2 Fender Washer 1-1/4In OD Zinc	15	437-0019-00	2	Mwr Caster Shaft
8	419-0024-00	2	1In L/W Med Split Zc				

PRELIMINARY

Drive Wheel Assembly

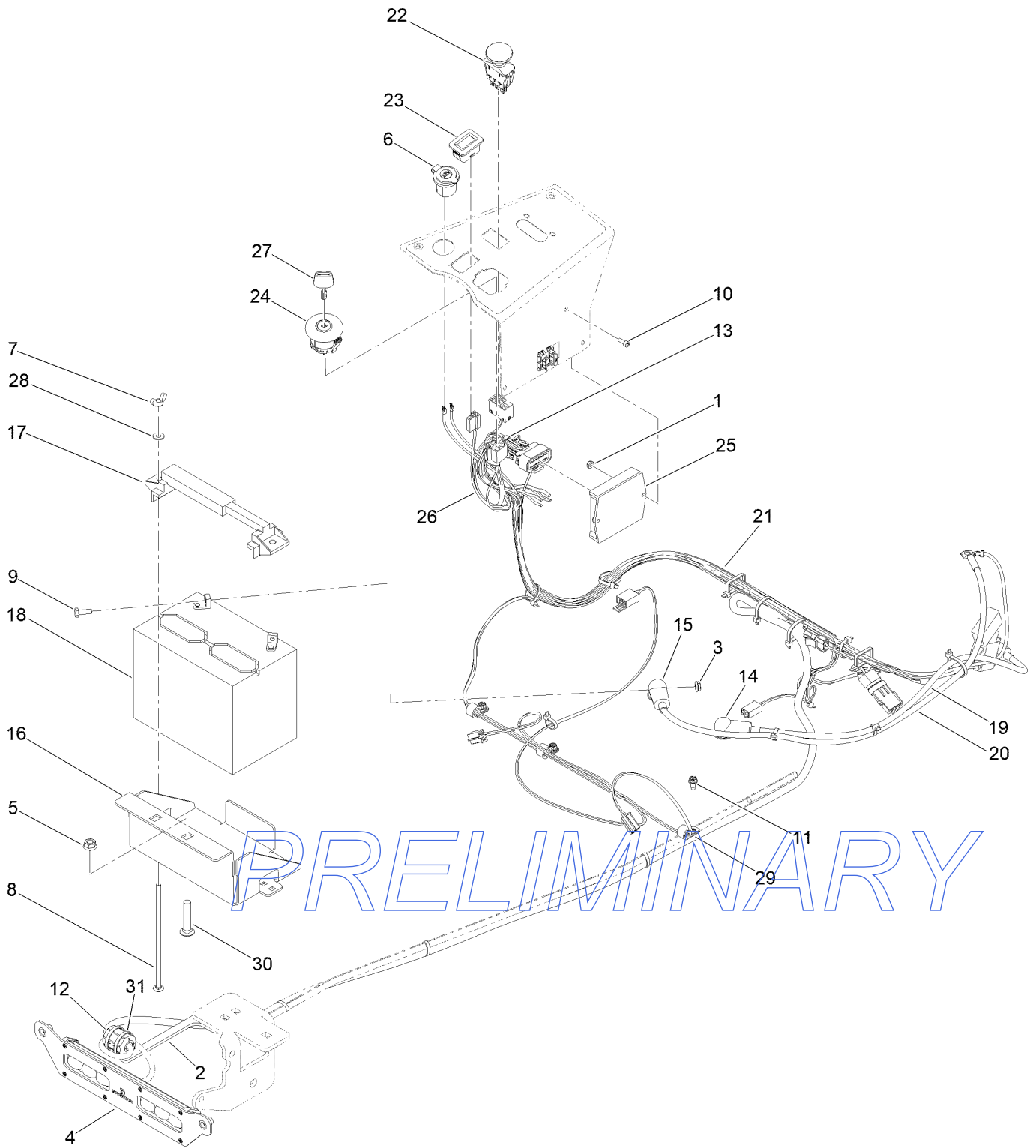


Drive Wheel Assembly (continued)

<i>Ref.</i>	<i>Part Number</i>	<i>Qty.</i>	<i>Description</i>	<i>Ref.</i>	<i>Part Number</i>	<i>Qty.</i>	<i>Description</i>
1	613-0001-00	10	Lug Nuts	2:2	422-0029-00	1	Mwr 24 X 10.5-12 Radial Tire
2	422-0028-00	2	54 Rr Whl Assm W/Vs5010-24X10.50-R12	3	422-0035-00	2	Rr Steel Wheel Silver Cntr Cap
2:1	422-0031-00	1	7In Steel Wheel				

PRELIMINARY

Electrical Assembly

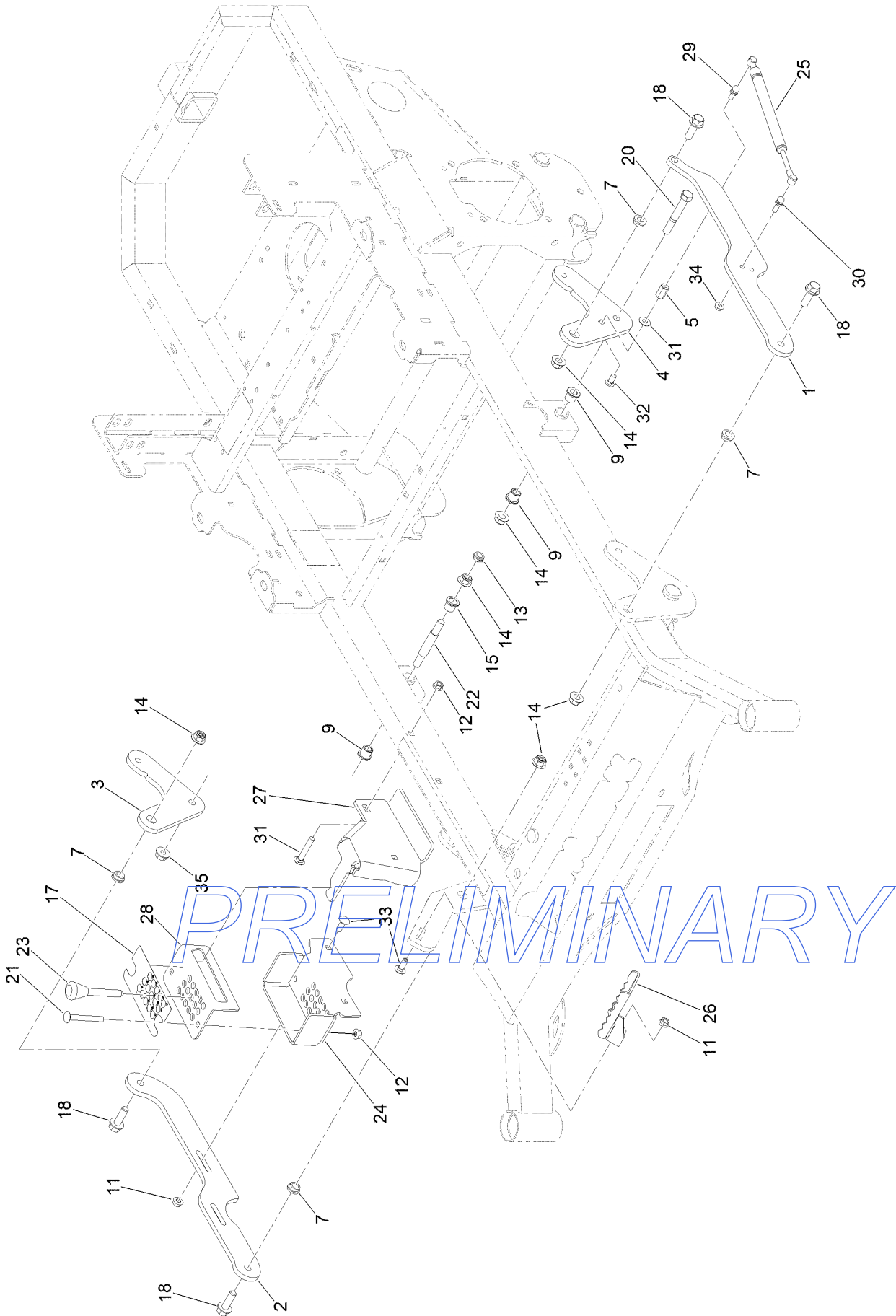


Electrical Assembly (continued)

<i>Ref.</i>	<i>Part Number</i>	<i>Qty.</i>	<i>Description</i>	<i>Ref.</i>	<i>Part Number</i>	<i>Qty.</i>	<i>Description</i>
1	110-3145	2	Nut-Lock	15	436-0003-00	1	Straight Insulating Terminal Cover
2	148-0219-05	1	Fair-Rite Bracket Painted	16	439-0008-00-P11	1	Mwr Battery Box
3	413-0012-00	2	1/4-20 Hex Flange Nut	17	443-0001-00	1	Battery Hold Down
4	486-0052-00	1	Split Beam W/Non-Lightd Helmet Light Bar	18	468-0001-00	1	Mwr Start Battery 350CCA
5	413-0020-00	2	3/8-16 Hex Flange Nut W/Serr Zinc Yellow	19	486-0016-00	1	Mwr Positive Battery Cable 25In
6	677-2075-00	1	12 Volt Auxilliary Plug	20	486-0017-00	1	Mwr Negative Cable 28
7	1-803038	2	Wingnut	21	486-0040-00	1	Harnessvanguard 26HP + Kawi 852Cc/999Cc
8	418-0034-00	2	1/4-20 X 7 Carriage Bolt Zinc	22	486-0060-00	1	PTO Switch
9	321-4	2	Screw-HH	23	486-0061-00	1	Hour Meter
10	418-0055-00	2	10-24 X 1/2 Socket C/S 18-8 SS	24	486-0062-00	1	Ignition Switch
11	120-9551	3	Screw-HWH	25	486-0063-00	1	Interlock Module
12	148-0191	1	Fair-Rite Round Cable Snap-It Size B	26	486-0064-00	1	Mwr Keyswitch Jumper Harness
13	414-0001-00	3	6In (40 Lb) Cable Tie Nylon Uv	27	486-0065-00	1	2023 Mwr Key
14	436-0002-00	2	3.15 Lgth Straight Insul Term Cover Red	28	515-0038	2	Washer-Flat
				29	2412-73	3	Clamp-R
				30	3231-6	2	Screw-CARR
				31	3290-379	18	Tie-Cable

PRELIMINARY

Decklift Assembly

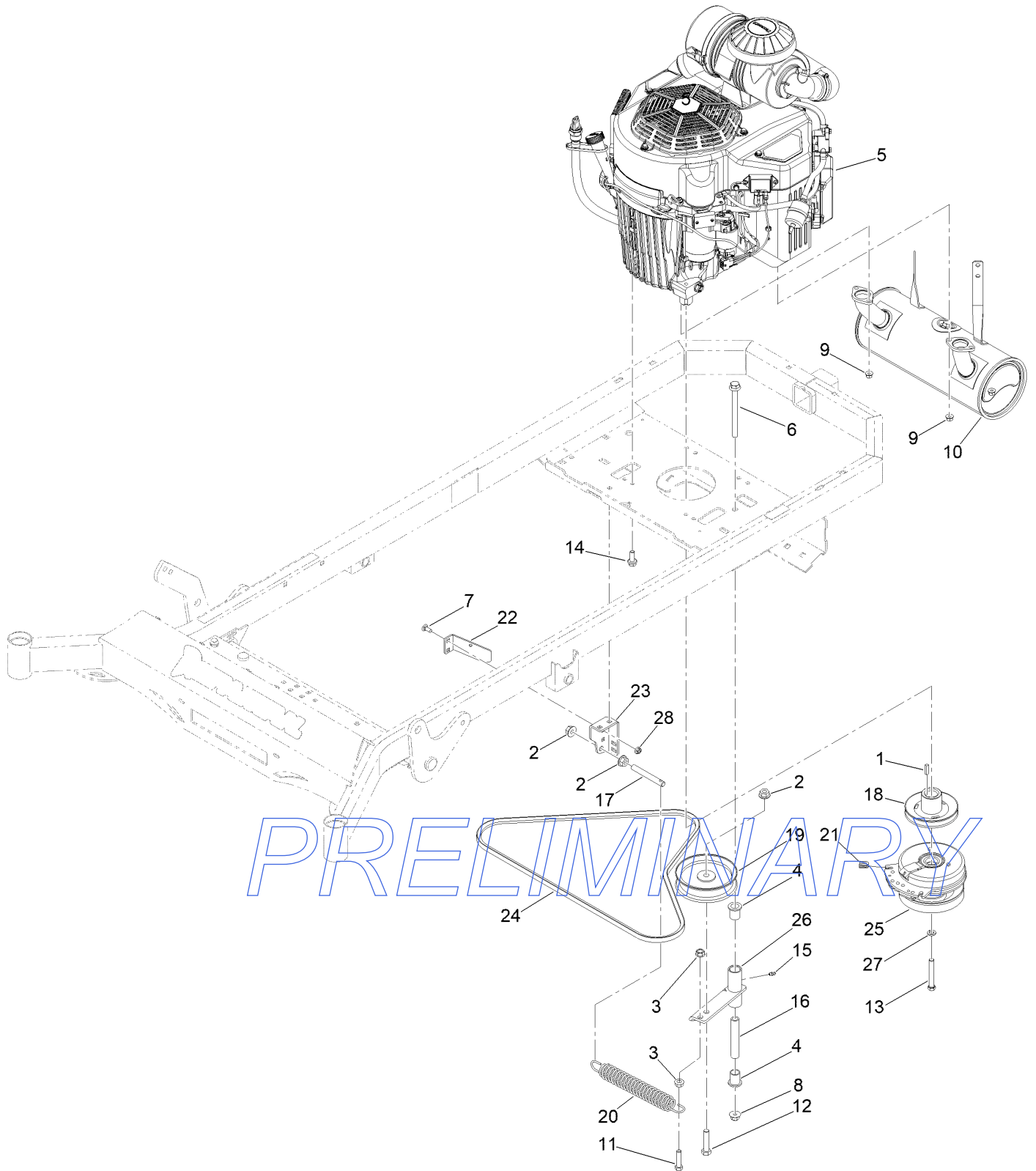


Decklift Assembly (continued)

<i>Ref.</i>	<i>Part Number</i>	<i>Qty.</i>	<i>Description</i>	<i>Ref.</i>	<i>Part Number</i>	<i>Qty.</i>	<i>Description</i>
1	148-0416-P11	1	Link-Decklift	23	420-0009-00	1	Magnetic Pin For Stand On Mwr
2	148-0251-P11	1	2024 Deck Height Arm Rt Link	24	148-0425-P11	1	Bracket Pin System (Bottom) Painted Grey
3	148-0418-P11	1	Arm-Decklift Rear (3/8")	25	434-0001-00	1	Deck Assist Gas Spring
4	148-0420-P11	1	Arm-Decklift Rear (3/8")	26	439-0059-00-P11	1	Mwr Deck Height Foot Pedal Paint
5	148-0422	1	Hex Coupling Nut - Reducer (3/8" To 5/16)	27	439-0752-00-P11	1	2022 Deck Lock Pin Tube Brkt
7	410-0009-00	4	1/2In ID X 3/4In OD X 3/8In Flange Bush	28	439-0753-00-P11	1	2022 Dhi Pin Arm Link Top Brkt
9	135-5694	3	Bushing-Flange	29	487-0005-00	1	5/16-18X1.286 Damper Ball Stud (.562 TI)
11	413-0020-00	4	3/8-16 Hex Flange Nut W/Serr Zinc Yellow	30	487-0008-00	1	5/16-18X1.286 Damper Ball Stud (.562 TI)
12	413-0029-00	6	Nut-Hex	31	618-2023-00	2	3/8In-16 X 2-1/2In GR 8 Carriage
13	3296-45	1	Nut-Hex	32	618-2068-00	1	3/8 X 3/4In GR 8 CARR Bolt Zinc
14	413-1005-00	5	1/2-13 Hex Flange 2-Way Rev Cntr L/Nyz	33	418-0045-00	4	3/8-16 X 1 Carriage Bolt Yz GR.8
15	135-9063	1	Bushing-Flange	34	413-0022-00	1	Nut-HF
17	148-0428	1	Decal-Height Of Cut	35	32128-49	1	Nut-HHF
18	100-6116	4	Screw-HHF				
20	418-0042-00	1	1/2-13 X 3-1/2 Hex C/S GR 5 Zinc Yellow				
21	418-0095-05	2	(3/8-16 X 3 Carriage Bolt (GR.5) Zc/Yel)				
22	418-0276-00	1	Rr Deck Height Bolt (Machined)				

PRELIMINARY

Engine Assembly



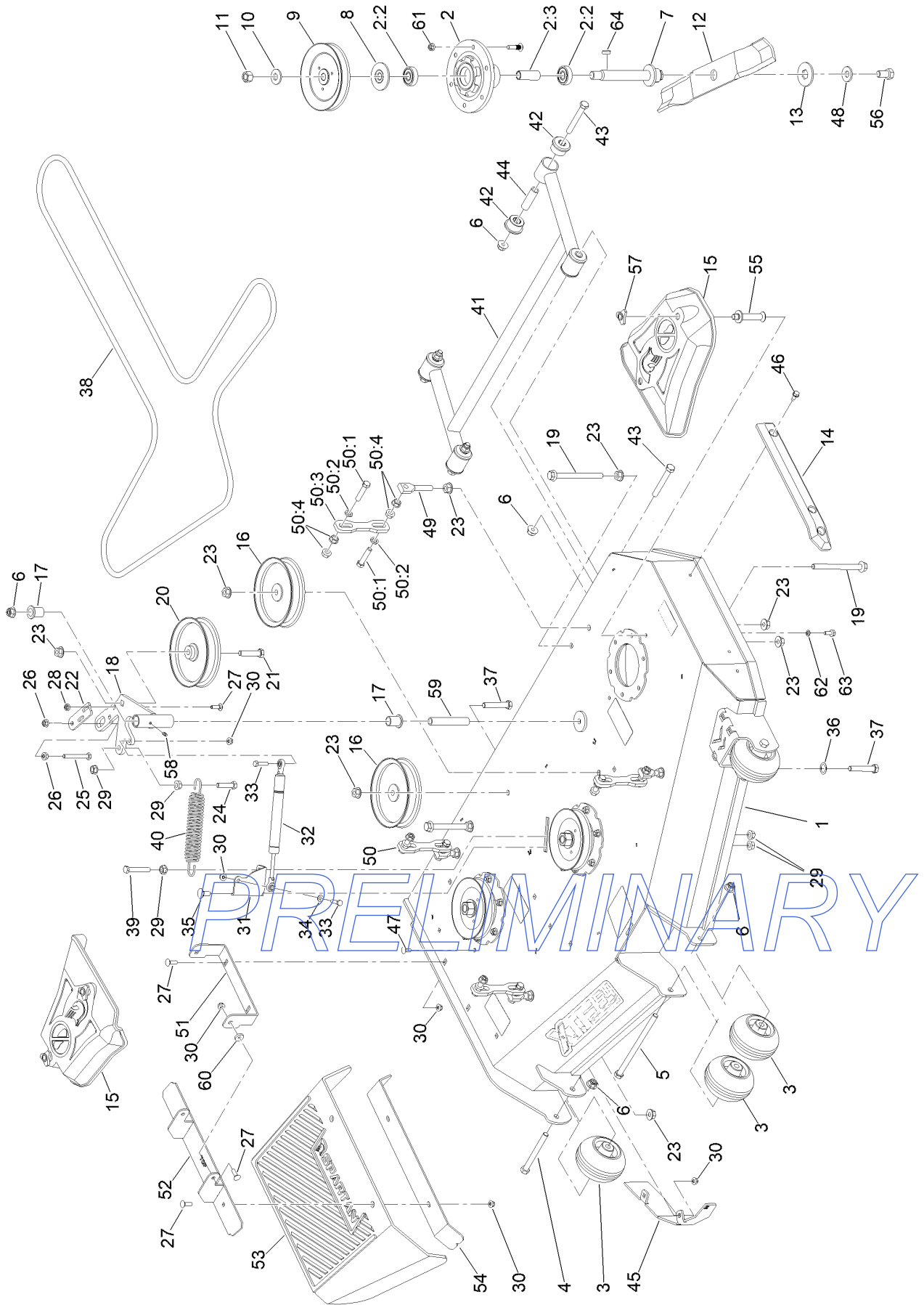
PRELIMINARY

Engine Assembly (continued)

<i>Ref.</i>	<i>Part Number</i>	<i>Qty.</i>	<i>Description</i>	<i>Ref.</i>	<i>Part Number</i>	<i>Qty.</i>	<i>Description</i>
1	1-807259	1	Key	16	425-0006-00	1	Mwr Inner Idler Spacer
2	32128-49	3	Nut-HHF	17	430-0001-00	1	Mwr Pump Idler Spring Tensioner
3	32128-37	2	Nut-HF	18	433-0001-00	1	Mwr Hydraulic Pump Drive Pulleys Belt
4	410-0007-00	2	3/4In ID X15/16In OD X 1-1/8In Flng Bush	19	433-0013-00	1	5-3/4In Idler Pulley 7/16In Spacer Assy
5	415-0084-00	1	Fxt100V (1000 Carbureted) Engn	20	434-0007-00	1	Mwr Deck Spring
6	418-0009-00	1	1/2-13 X 5-1/2 Hex Flange Bolt GR 8 Zy	21	437-0025-00	1	Mwr Clutch Rotation Stop Brkt Sleeve
7	418-0008-00	2	Bolt-CARR	22	439-0132-00-P11	1	Mwr Clutch Anti Rotation Brkt Painted
8	413-0002-00	1	Nut-Lock	23	439-0244-00-P11	1	Mwr Pump Idler Tensioning Brktpainted
9	104-2612	4	Nut-HF	24	461-0004-00	1	Mwr Pump Belt Rt A X 68.25In Eff Lngth
10	148-0222	1	Muffler W/ Arrester-6Inod-1.5Intp	25	470-0002-00	1	Warner PTO Clutch
11	324-7	1	Screw-HH	26	490-0018-00-P11	1	Mwr Pump Idler Assy Painted
12	325-9	1	Screw-HH	27	3253-6	1	Washer-Lock
13	418-0022-00	1	7/16-20 X 3 Hex C/S GR 8 Zc Yellow	28	413-0022-00	2	Nut-HF
14	418-0023-00	4	3/8-16 X 1-1/8 Ind HWH W/Serr Tri Lob Zy				
15	424-0002-00	1	1/4In Drive Type Grease Fitting Yz				

PRELIMINARY

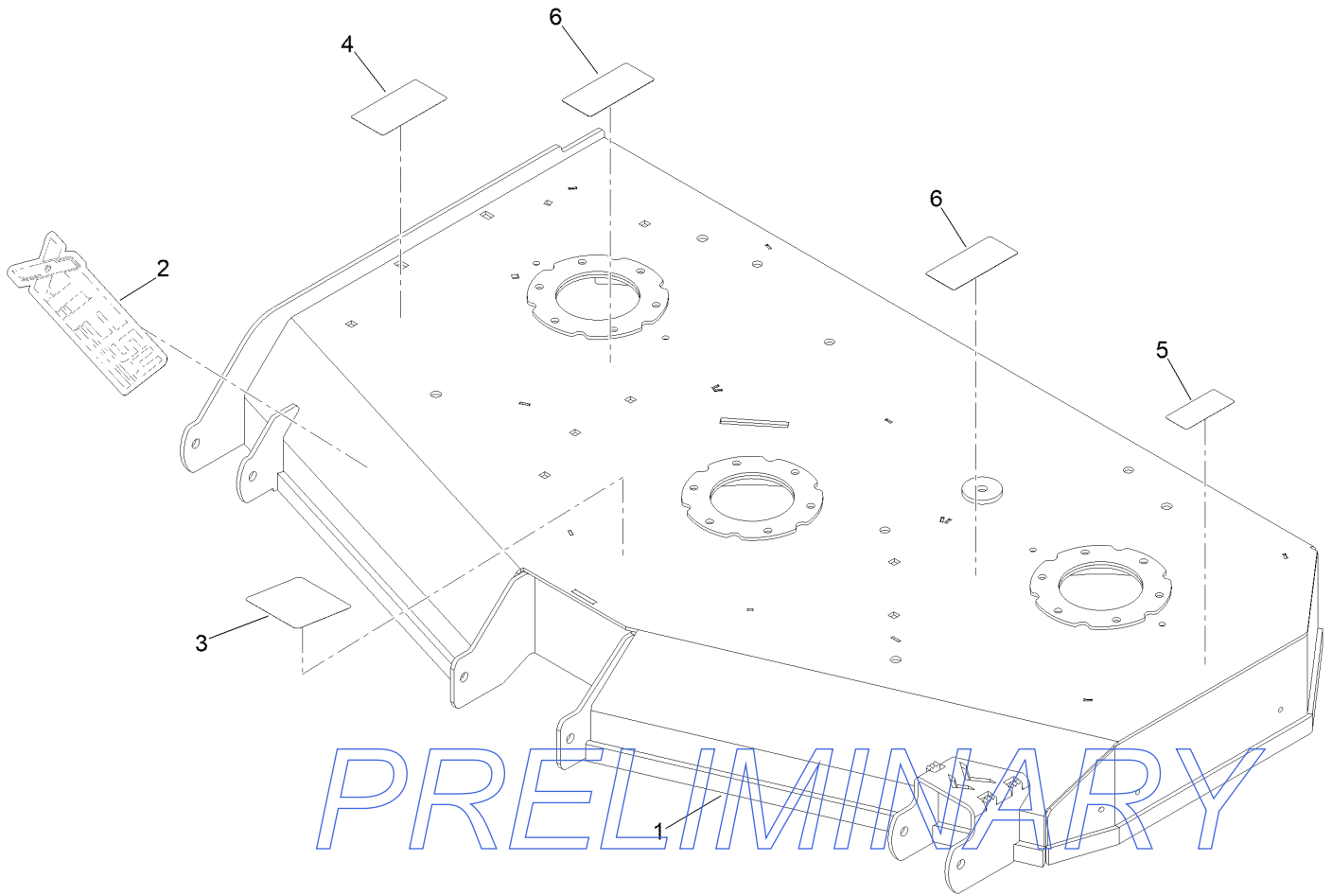
54 Inch Cutting Deck Assembly



54 Inch Cutting Deck Assembly (continued)

Ref.	Part Number	Qty.	Description	Ref.	Part Number	Qty.	Description
1	148-0786	1	ASM-Deck W/Decals	35	3232-1	1	Screw-CARR
2	148-0005	3	Spindle ASM 6" Deck	36	418-0110-00	1	.767Idx1.125Odx.016 THK Trip Wv Washer
2:2	116-0720	2	Bearing-Ball	37	418-0246-00	2	1/2-13 X 2-3/4 Hex Flange Bolt (GR.8) Yz
2:3	148-0026	1	Spacer, Bearing	38	461-0001-00	1	54 Deck Belt
3	422-0061-00	4	Mwr Anti-Scalp Whl W/O Grease Fitting	39	418-0013-00	1	Bolt-HH
4	325-19	2	Screw-HH	40	434-0007-00	1	Mwr Deck Spring
5	418-0015-00	1	1/2-13 X 8-1/2 Hex C/S GR 2 Zinc Yellow	41	490-0014-00-P11	1	54In/61In Deck Frame Stabilizer Painted
6	413-0002-00	8	Nut-Lock	42	732-2000-00	8	Red A80 Susp Bushing
7	148-0106	3	Shaft - Spindle	43	418-0021-00	4	1/2-13 X 3-3/4 Hex C/S (GR.5) Zc/Yel
8	116-1286	3	Guard,Bearing Top .989	44	732-2001-00	4	UTV A-Arm Bushing Sleeve
9	148-0031	3	Pulley	45	148-0207-P11	1	Baffle-Wiper 54 Painted
10	148-0113	3	M20 Spring Washer (44.5Mmod/ 3.3MM THK)	46	9264964	3	Screw-HWH, Thread Cut
11	148-0111	3	M20X1.5 C8.8 Hex Nut	47	418-0008-00	2	Bolt-CARR
12	148-0098	3	Blade-Rotary	48	148-0114	3	M16 Spring Washer (39Mmod/ 3.9MM THK)
13	148-0108	3	Washer-Hex	49	448-0001-00	4	Mwr Deck Height Adjustment Stud
14	429-0001-00	1	Mwr Nylon Deck Guard	50	435-0007-KT	4	Mwr Deck Susp Link Assy
15	148-0092	2	Cover Belt	50:1	435-0007-00-P11	1	Mwr Deck Susp Link Paint
16	433-0015-00	2	6-3/4In Idler Pulley 15/16In Spacer Assy	50:2	324-8	2	Screw-HH
17	410-0007-00	2	3/4In ID X15/16In OD X 1-1/8In Flng Bush	50:3	419-0010-00	2	.443 ID X .749 OD X .125 THK Nylon Black
18	490-0019-00-P11	1	Mwr Deck Idler Pulley Arm Assy Paint	50:4	32128-37	4	Nut-HF
19	418-0009-00	3	1/2-13 X 5-1/2 Hex Flange Bolt GR 8 Zy	51	439-0111-00-P11	1	Mwr Chute Mtg Brkt Painted
20	433-0014-00	1	6-3/4In Idler Pulley 7/16In Spacer ASM	52	490-0056-00-P11	1	Rt/Srt Deck Chute Hinge Assy Paint
21	418-0012-00	1	1/2-13 X 2-1/4 Hex C/S GR 5 Zinc	53	481-0011-00	1	2020 Rt/Srt Rubber Discharge Chute
22	439-0257-00-P11	1	Deck Idler Pulley Belt Retnr Brkt Paint	54	439-0190-00-P11	1	2020 Deck Chute Hinge Backer Brkt Paint
23	32128-49	15	Nut-HHF	55	148-0094	4	Pin-Belt Cover
24	324-7	1	Screw-HH	56	148-0109	3	M16X1.5-30MM C10.9 Hex Bolt
25	323-13	1	Screw-HH	57	148-0234	4	Nut-Knob
26	413-0020-00	2	3/8-16 Hex Flange Nut W/Serr Zinc Yellow	58	424-0002-00	1	1/4In Drive Type Grease Fitting Yz
27	418-0060-00	8	5/16-18 X 1 Carriage Bolt GR 8 Yz	59	425-0006-00	1	Mwr Inner Idler Spacer
28	413-0022-00	2	Nut-HF	60	419-0006-00	2	.312 ID X .875OD X .1875 THK F/W NYL
29	32128-37	5	Nut-HF	61	413-0029-00	18	Nut-Hex
30	413-0027-00	10	Nut-HF, NI	62	3253-4	4	Washer-Lock
31	439-0335-00-P11	1	Deck Belt Idler Damper Mtg Brkt Painted	63	116-7230	4	Screw-HHF
32	434-0009-00	1	Idler Gas Spring	64	148-0118	3	6MM X 6MM X 20MM Rounded Machine Key
33	322-47	2	Screw-HH				
34	413-0016-00	1	.312Idx.625Odx.062 THK Thrust Brg Oi Brz				

Deck Decal Assembly No. 148-0786



PRELIMINARY

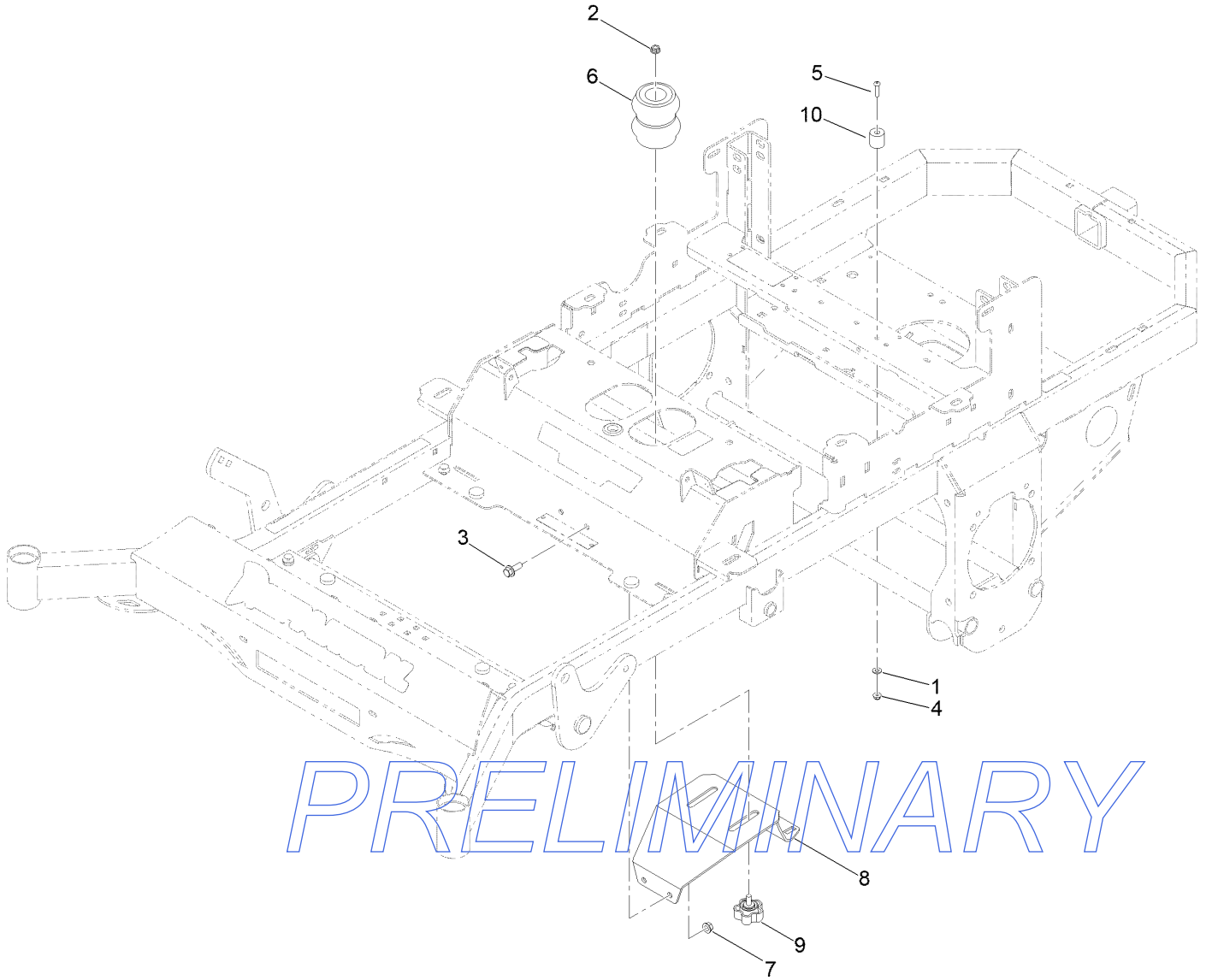
Deck Decal Assembly No. 148-0786 (continued)

<i>Ref.</i>	<i>Part Number</i>	<i>Qty.</i>	<i>Description</i>	<i>Ref.</i>	<i>Part Number</i>	<i>Qty.</i>	<i>Description</i>
1		1	Deck ASM-54 Painted ●	4	132-0872	1	Decal-Danger, Deck
2	148-0779	1	Decal-Xtf	5	148-0430	1	Decal-Safety Blade Torque
3	148-0260	1	Decal-Deck Belt Routing	6	125-6127	2	Decal-Rotating Fan Hazard

PRELIMINARY

● Not serviced separately

Seat Suspension Assembly



Seat Suspension Assembly (continued)

<i>Ref.</i>	<i>Part Number</i>	<i>Qty.</i>	<i>Description</i>	<i>Ref.</i>	<i>Part Number</i>	<i>Qty.</i>	<i>Description</i>
1	515-0038	2	Washer-Flat	7	413-0020-00	2	3/8-16 Hex Flange Nut W/Serr Zinc Yellow
2	413-0022-00	2	Nut-HF	8	490-0021-00-P11	1	Mwr Seat Susp Brkt (Srt) Painted
3	131-2220	2	Screw-HHF	9	445-0006-00	2	5/16-18X3/4 SI 5-Lobe Male Knob 1.90 DIA
4	104-7201	2	Nut-HF, NI	10	729-1000-00	2	Hood Rest Rubber Bumper
5	418-0039-00	2	1/4-20 X 1 Button Socket C/S 18-8 SS				
6	487-0003-00	2	Srt Rr Susp And Seat Ft Elastomer Tcb-3				

PRELIMINARY

Notes:

PRELIMINARY

Notes:

PRELIMINARY



PRELIMINARY