



RT Pro 54in Mower

Model No. SRPR254810BO

Parts Catalog



Ordering Replacement Parts

To order replacement parts, please supply the part number, the quantity, and the description of each part desired.

Understanding Reference Numbers

Each identified part in an illustration has a reference number. The reference number for a part also appears in the parts list, along with other information about the part.

This catalog uses two special reference number formats, one to indicate parts in a service assembly and another to indicate the quantity of a given part in an illustration.

Service Assembly Reference Numbers

Parts in service assemblies have reference numbers in the form a:b. The a represents the reference number of the entire service assembly and the b represents a sequential number unique to each part within the service assembly.

For example, a wheel assembly might be identified by reference number 6, the tire by 6:1, the valve by 6:2, and the wheel by 6:3. When you order the assembly identified by reference number 6, you receive all parts identified by reference numbers 6:1, 6:2, and 6:3. However, you may also order any part individually. Reference numbers of this type appear in illustration and in parts lists.

Reference Numbers Indicating Quantity

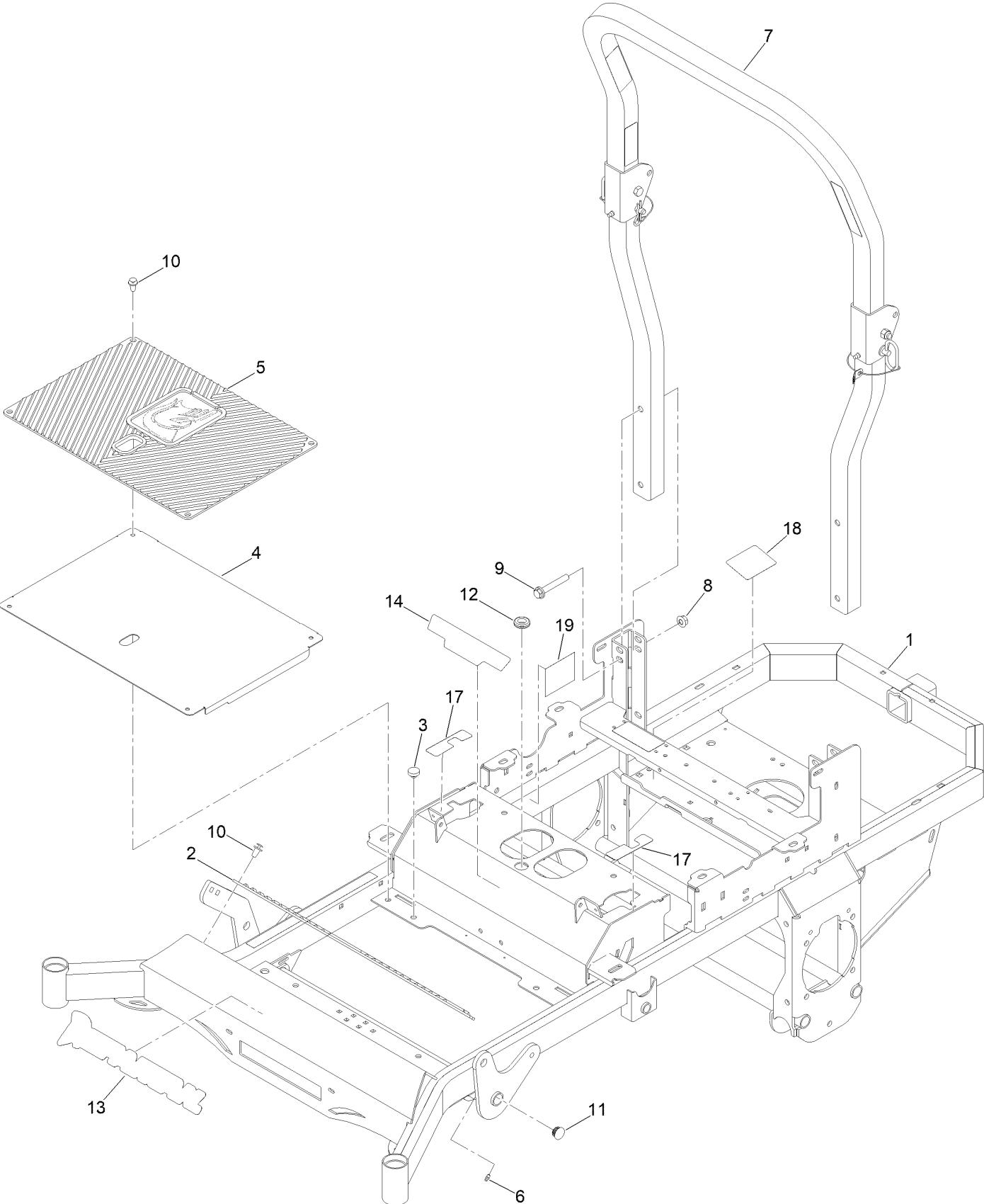
In an illustration, if a reference number indicates more than one part, the reference number has the form nX y. The n represents the quantity of the part, the X is the multiplication symbol, and the y represents the reference number.

For example, in an illustration, the reference number 2X 37 means that two of the parts identified by reference number 37 are indicated.

Contents

Main Frame Assembly	4
Frame with Decals Assembly No. 148-0444	6
Transmission Assembly	8
Body Styling Assembly	10
Fuel Tank Assembly	12
Seat Assembly	14
Motion Control and Parking Brake Assembly	16
Front Caster Tire Assembly	18
Drive Wheel Assembly	20
Electrical Assembly	22
Decklift Assembly	24
Engine Assembly	26
54 Inch Cutting Deck Assembly	28
Deck Decal Assembly No. 148-0786	30
Seat Suspension Assembly	32

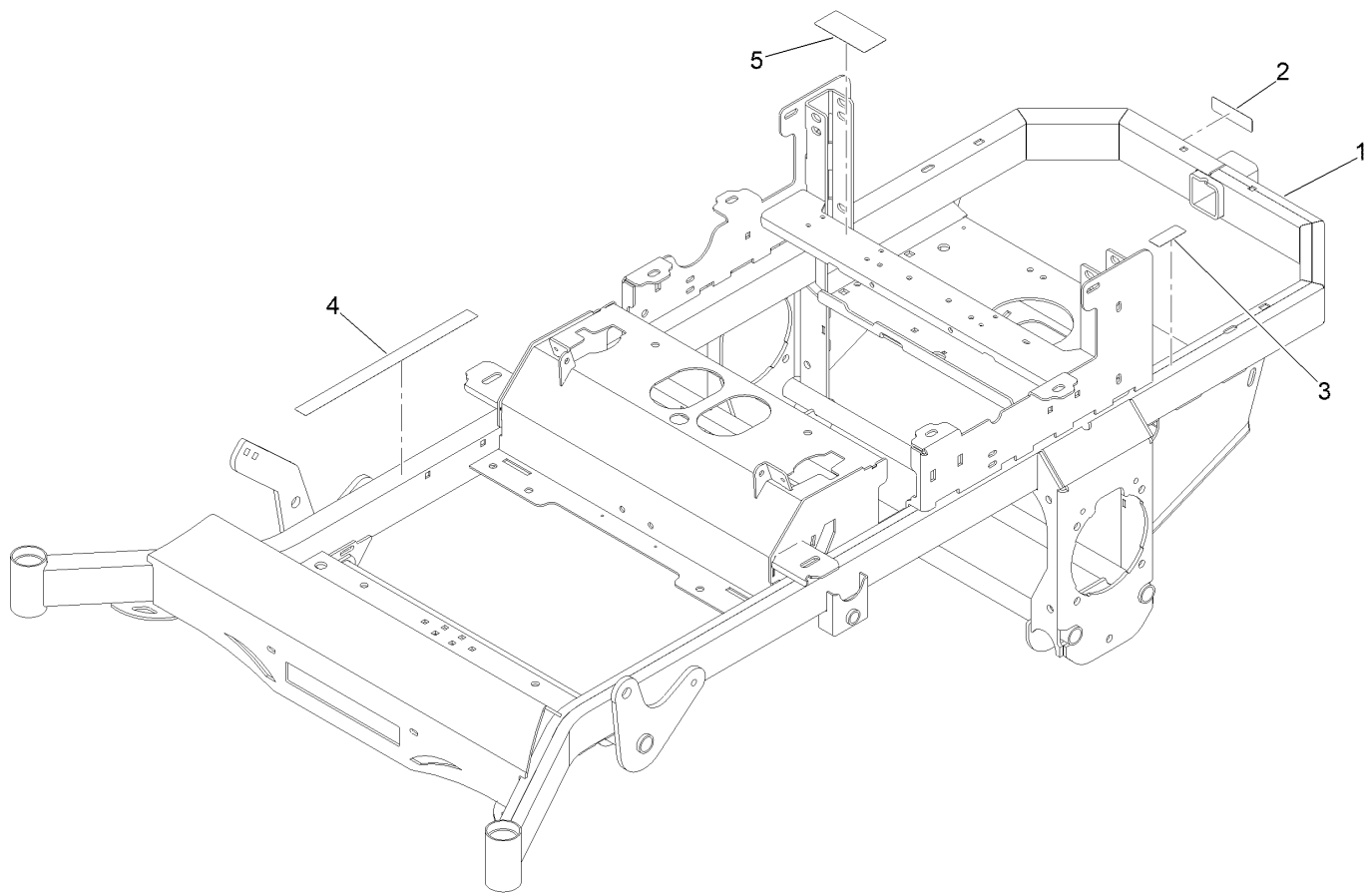
Main Frame Assembly



Main Frame Assembly (continued)

<i>Ref.</i>	<i>Part Number</i>	<i>Qty.</i>	<i>Description</i>	<i>Ref.</i>	<i>Part Number</i>	<i>Qty.</i>	<i>Description</i>
1	148-0444	1	ASM Frame W/ Decals	10	414-0002-00	10	8MM Push Type Retainer Nylon Black
2	481-0005-00	1	Mwr Rubber Foot Rest Mat	11	414-0015-00	2	1-1/4 In Round Tube Plug
3	429-0002-00	4	Push-In Rubber Bumper Mwr Floor	12	240-6	1	Grommet-Rubber
4	439-0007-00-P11	1	Mwr Floorboard Paint	13	148-0801	1	Decal-Spartan, Front
5	481-0006-00	1	Mwr Logo Floor Mat	14	491-0203-00	1	2022 Rt-Pro W/Gt Trac Decal
6	624-1000-00	2	1/4 Drive Type Straight Grease Fittng Zc	17	148-0259	1	Decal-Motion Control
7	497-0002-00	1	Mwr Fold Down ROPS	18	148-0477	1	Decal-Pump Belt Routing-Tuff Torq
8	413-0014-00	4	1/2-13 Hex Stover Locknut GR C Zinc	19	148-0426	1	Decal-E P A
9	418-0019-00	4	Bolt-HF				

Frame with Decals Assembly No. 148-0444

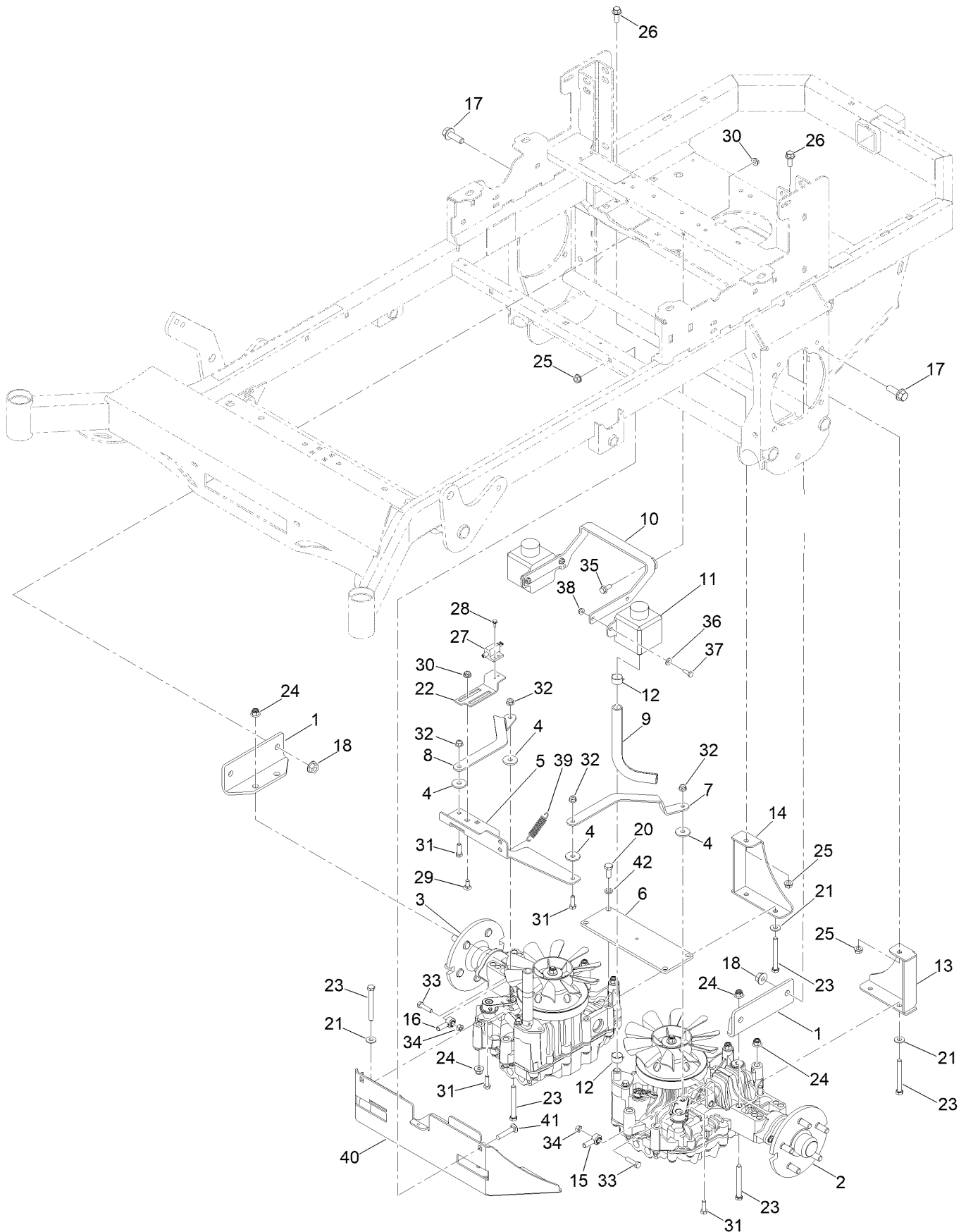


Frame with Decals Assembly No. 148-0444 (continued)

<i>Ref.</i>	<i>Part Number</i>	<i>Qty.</i>	<i>Description</i>	<i>Ref.</i>	<i>Part Number</i>	<i>Qty.</i>	<i>Description</i>
1		1	Frame ASM - Rt Painted ●	4	142-7754	1	Decal-Warning
2	147-7364	1	Decal-Hitch	5	125-6127	1	Decal-Rotating Fan Hazard
3	127-0392	1	Decal-Hot Surface				

● Not serviced separately

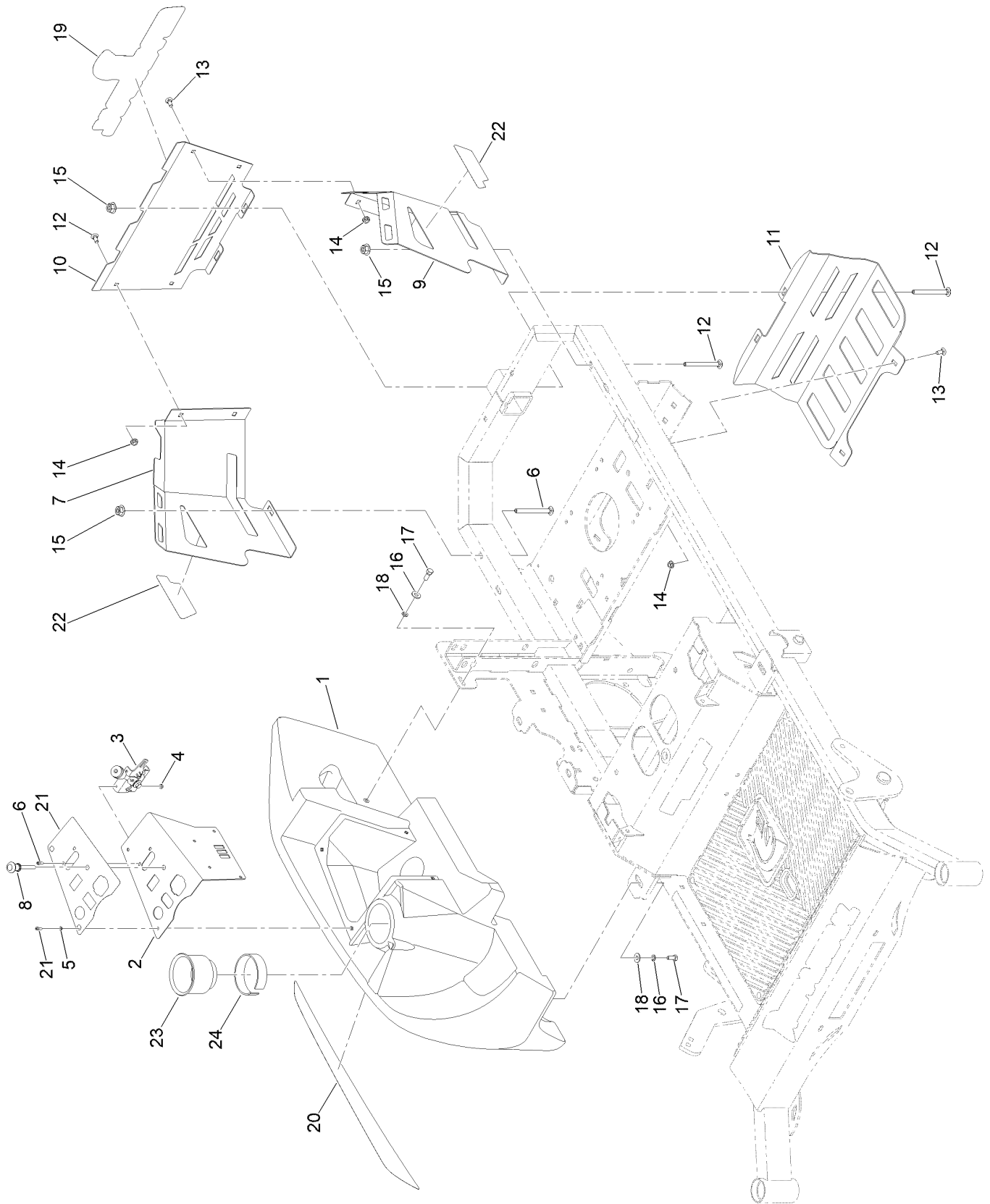
Transmission Assembly



Transmission Assembly (continued)

<i>Ref.</i>	<i>Part Number</i>	<i>Qty.</i>	<i>Description</i>	<i>Ref.</i>	<i>Part Number</i>	<i>Qty.</i>	<i>Description</i>
1	439-0828-00-P11	2	Tt13 Drive Motor Mounting Bracket	20	618-2100-00	4	M10 X 1.5 X 25MM TAP Bolt
2	450-0067-00	1	2023 Tzt-13 Lt Side Hydro Transmission	21	419-0007-00	12	Washer-Flat
3	450-0068-00	1	2023 Tzt-13 Rt Side Hydro Transmn	22	439-0827-00-P11	1	Tt13 Brake Interlock Bracket: Painted
4	419-0028-00	4	Flt Washer 1.25Odx.38ldx.125 THK Pla	23	618-2073-00	12	3/8In-16X3-1/4In Hex HD Cap Scr
5	439-0829-00-P11	1	Tt13 Brake Rod Bracket	24	613-5202-00	12	3/8-16 Nylock Flange Nut
6	426-0243-00-P11	1	Tt13 Transmission Mount Brace	25	413-0020-00	4	3/8-16 Hex Flange Nut W/Serr Zinc Yellow
7	426-0244-00-P11	1	Tt13 Brake Rod Plate Left Side	26	131-2220	2	Screw-HHF
8	426-0242-00-P11	1	Tt13 Brake Rod Plate Right Side	27	486-0030-00	1	No Plunger Limit Switch
9	451-0001-00	19	Mwr 5/8In Hydraulic Hose, 1Ft	28	418-0032-00	2	8-32 X 1/2 Ind. HWH Slot Type F Tcs Zinc
10	148-0514-P11	1	Bracket-Reservoir	29	418-0008-00	2	Bolt-CARR
11	567-0002-00	2	Rt-Pro Tt13 1/4 Liter Hydr Fluid Resrv	30	413-0022-00	4	Nut-HF
12	472-0013-00	4	22MM Hose Clamp (Ctb-22ST-Fk)	31	AU426-516	4	Screw-HH
13	490-0072-00-P11	1	Tt13 Drive Motor Mounting Rear Left Brkt	32	413-0027-00	4	Nut-HF, NI
14	490-0073-00-P11	1	Tt13 Drive Motor Mounting Rear Right Brk	33	322-47	2	Screw-HH
15	410-0070-00	1	5/16-24 Spher Rod End Zinc LH Thd Fem	34	148-0178	2	5/16-24 NYL INS L/N GR.8 Zc/Yel
16	410-0071-00	1	5/16-24 Spher Rod End Zinc RH Thd Fem	35	116-7230	2	Screw-HHF
17	100-6116	4	Screw-HHF	36	619-0010-50	4	1/4 Flat Washer Black 18-8 Black Zinc
18	32128-49	4	Nut-HHF	37	321-4	4	Screw-HH
				38	104-7201	4	Nut-HF, NI
				39	434-0003-00	1	Mwr Brake Pedal Release Spring
				40	439-0830-00-P11	1	Tt13 Battery Box Mount Plate Painted
				41	3231-6	2	Screw-CARR
				42	48-9590	4	Washer-Lock

Body Styling Assembly



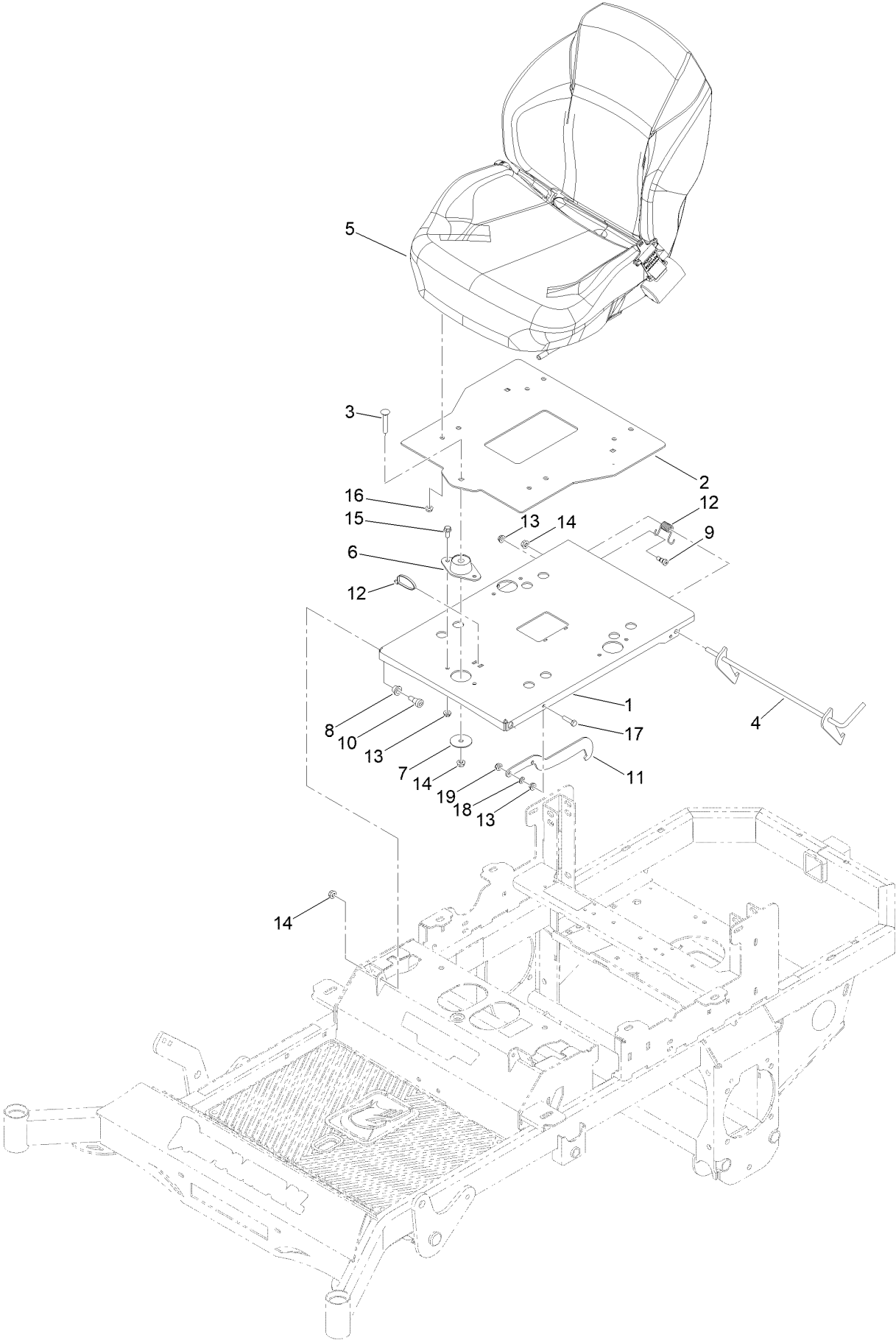
Body Styling Assembly (continued)

<i>Ref.</i>	<i>Part Number</i>	<i>Qty.</i>	<i>Description</i>	<i>Ref.</i>	<i>Part Number</i>	<i>Qty.</i>	<i>Description</i>
1	148-0307	1	Console W/ Cupholder	11	148-1172-P11	1	Muffler Guard [gray]
2	439-0895-00-P11	1	Control Panel Brkt Individ Controls Paint	12	418-0018-00	4	3/8-16 X 4 Carriage Bolt Zinc
3	464-0001-00	1	Mwr Throttle Cable Assy W / Handle	13	418-0008-00	6	Bolt-CARR
4	110-3145	2	Nut-Lock	14	413-0022-00	6	Nut-HF
5	419-0011-00	4	#10 Split Lockwasher 18-8 SS	15	413-0029-00	4	Nut-Hex
6	418-0055-00	6	10-24 X 1/2 Socket C/S 18-8 SS	16	419-0007-00	4	Washer-Flat
7	439-0691-00-P11	1	2021 Rt/Srt Engn Cowling Rtpainted	17	418-0054-00	4	Screw-HH
8	464-0002-00	1	Mwr Choke Cable Assm	18	3253-4	4	Washer-Lock
9	439-0692-00-P11	1	2021 Rt/Srt Engn Cowling Lt Painted	19	491-0040-00	1	Mwr Rr Spartan Logo
10	148-0896-P11	1	Plate - Engine Cowling	20	148-0845	1	Decal-Tank
				21	148-0467	1	Decal- Console, Keyswitch
				22	491-0171-00	2	Rt-Pro Model Decal
				23	780-2220-00	1	Cup Holder
				24	148-0770	1	Tape-Foam

Fuel Tank Assembly (continued)

<i>Ref.</i>	<i>Part Number</i>	<i>Qty.</i>	<i>Description</i>	<i>Ref.</i>	<i>Part Number</i>	<i>Qty.</i>	<i>Description</i>
1	467-0001-00	1	Mwr Gasoline Fuel Tank Assy	8	418-0045-00	2	3/8-16 X 1 Carriage Bolt Yz GR.8
2	451-0002-00	10	Mwr Fuel Tank Black 3/16In Vent Tube 1Ft	9	418-0054-00	4	Screw-HH
3	439-0448-00-P11	1	Rt/Srt Gas Tank Support Painted	10	413-0020-00	2	3/8-16 Hex Flange Nut W/Serr Zinc Yellow
4	472-0004-00	2	1/2In (#8) Hose Clamp	11	148-0844	1	Decal-Tank
5	481-0004-00	1	Rubber Tank Storage Compartment Insert	12	751-1014-00	10	1/4In SAE J30R7 Bulk Hose 1Ft
6	419-0007-00	4	Washer-Flat	13	472-0006-00	2	19MM Hose Clamp
7	3253-4	4	Washer-Lock	14	429-0002-00	1	Push-In Rubber Bumper Mwr Floor

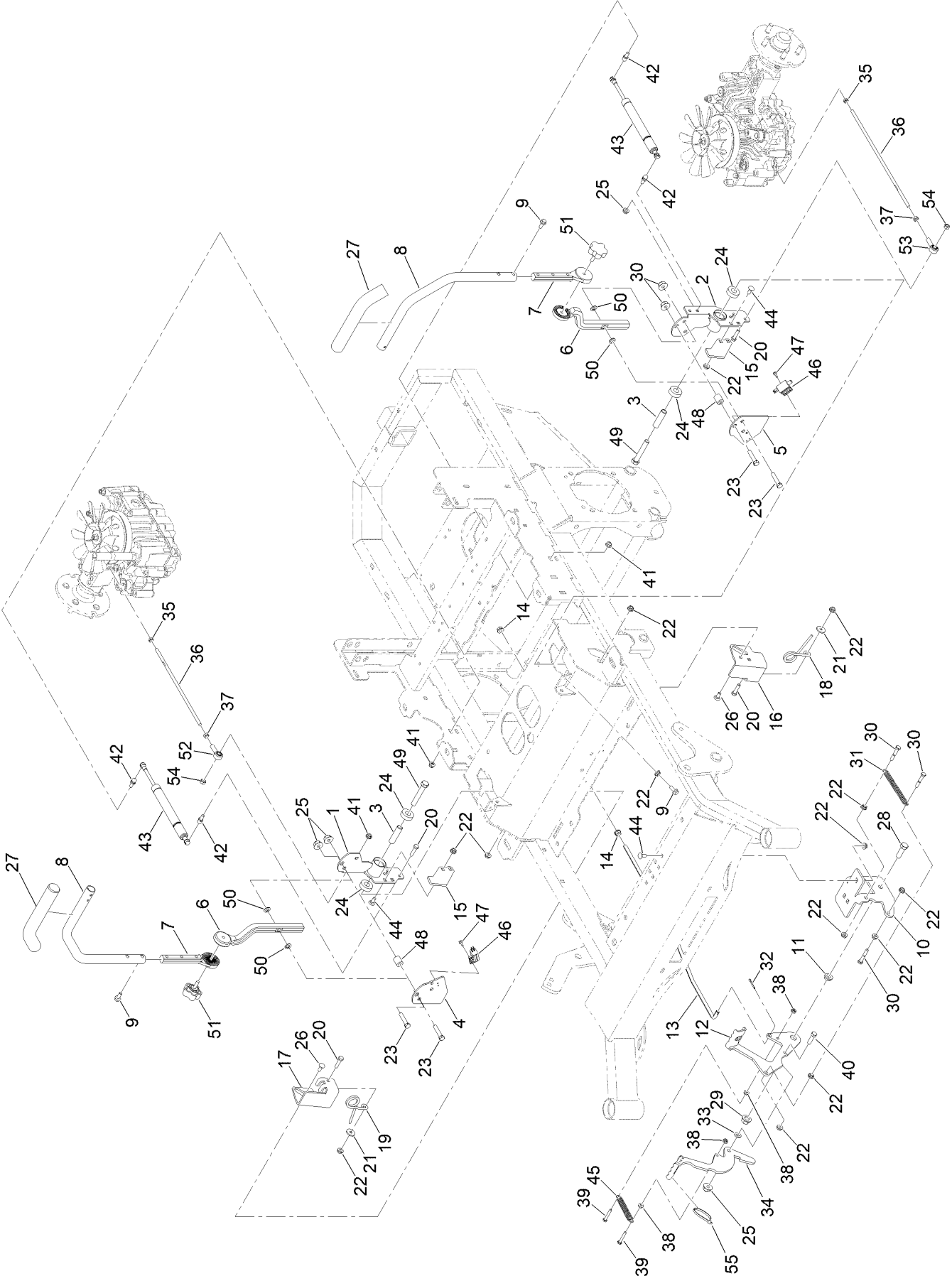
Seat Assembly



Seat Assembly (continued)

<i>Ref.</i>	<i>Part Number</i>	<i>Qty.</i>	<i>Description</i>	<i>Ref.</i>	<i>Part Number</i>	<i>Qty.</i>	<i>Description</i>
1	148-0290	1	ASM, Plate-Seat Base Upgrade W/ Decals	10	418-0038-00	2	1/2 X 1/2 Socket Shoulder Bolt Zc Yellow
2	426-0231-00-P11	1	2019 Upgrade Seat Plate Paint	11	439-0065-00-P11	1	Mwr Seat Latch Hook Paint
3	618-2023-00	3	Screw-CARR	12	434-0004-00	1	Mwr Seat Latch Spring
4	490-0011-61	1	Mwr Seat Latch Release Assy Abc	13	413-0022-00	8	Nut-HF
5	471-0035-00	1	Rt Pro Seat	14	413-0029-00	6	Nut-Hex
6	487-0007-00	3	Floating Seat Damper-Stiffer	15	116-7230	6	Screw-HHF
7	419-0022-00	3	3/8 X 2In OD Fender Washer Yz	16	413-0019-00	4	5/16-18 Nylon Insert Flange L/Nut Zc
8	410-0010-00	2	1/2In ID X 5/8In OD X 1/2In Flange Bush	17	322-47	1	Screw-HH
9	1-809056	1	Screw-HSH Shldr	18	413-0016-00	1	.312Idx.625Odx.062 THK Thrust Brg Oi Brz
				19	413-0027-00	1	Nut-HF, NI

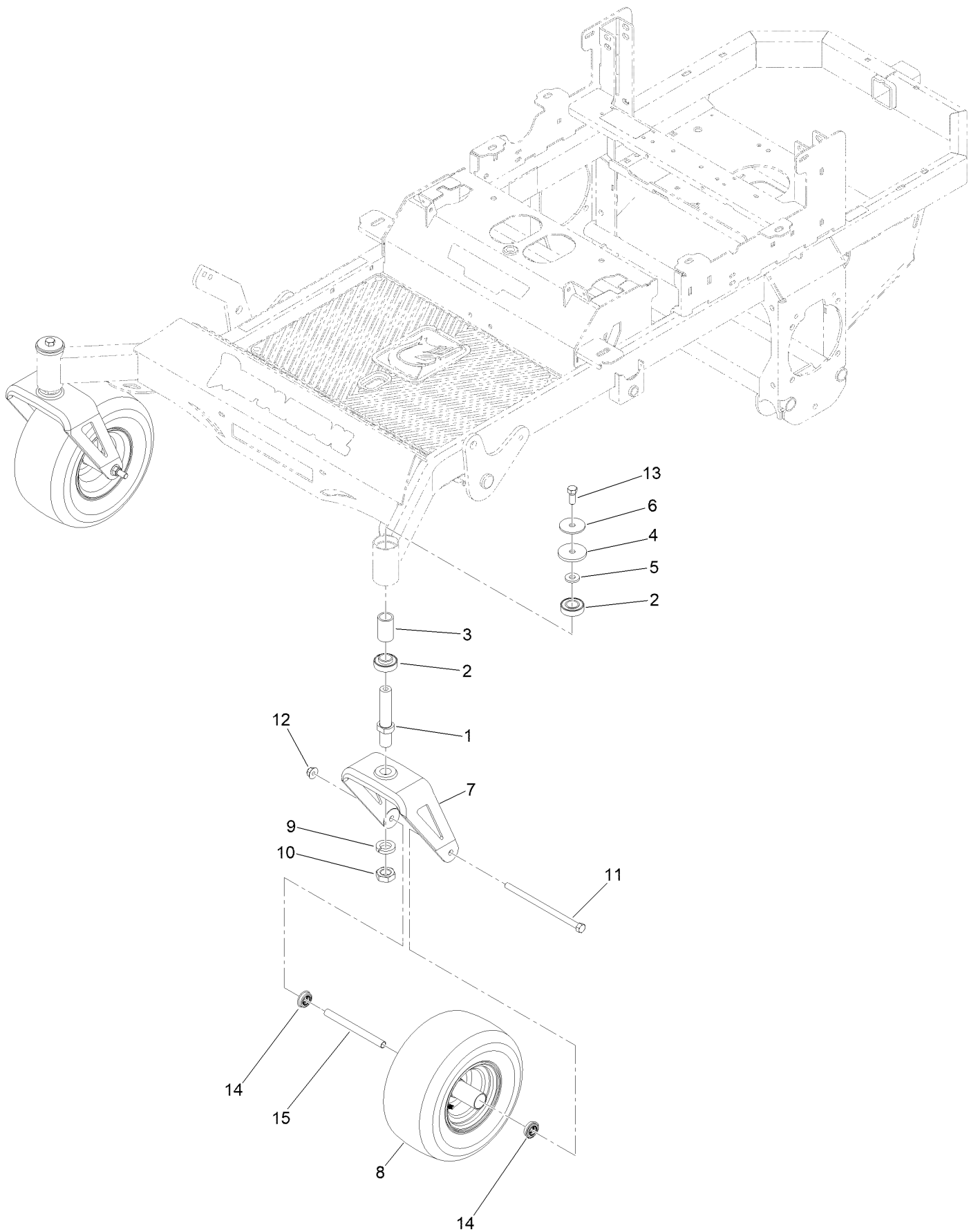
Motion Control and Parking Brake Assembly



Motion Control and Parking Brake Assembly (continued)

<i>Ref.</i>	<i>Part Number</i>	<i>Qty.</i>	<i>Description</i>	<i>Ref.</i>	<i>Part Number</i>	<i>Qty.</i>	<i>Description</i>
1	148-0245-P11	1	Motion Control Brkt	29	413-0002-00	1	Nut-Lock
2	148-0246-P11	1	Motion Control Brkt	30	418-0027-00	3	Bolt-HH
3	425-0004-00	2	Mwr Drive Arm Hub / Deck Lift Arm Spacer	31	434-0015-00	1	2020 Mwr Brake Pedal Tension Spring
4	426-0003-00-P11	1	Rt Control Arm Limit Switch Plate Paint	32	3272-11	1	Pin-Cotter
5	426-0002-00-P11	1	Lt Control Arm Limit Switch Plate Paint	33	413-0052-00	1	3/8 ID X 3/4 OD X .125 THK Bronze Washer
6	431-0002-00	2	Adjustable Lwr Drive Arm	34	490-0017-00-P11	1	Mwr Brake Unlock Lever Assy Painted
7	431-0003-00	2	Adjustable Upp Drive Arm	35	3220-20	2	Nut-Jam
8	403-0020-10-P11	2	Mower Drive Handle Tube Abc	36	435-0033-00	2	1310 Ttq Drive Arm Rod
9	116-7230	6	Screw-HHF	37	09207	2	Nut
10	439-0009-00-P11	1	Mwr Frame Brake Mtg Brkt Paint	38	413-0012-00	4	1/4-20 Hex Flange Nut
11	410-0009-00	1	1/2In ID X 3/4In OD X 3/8In Flange Bush	39	418-0029-00	2	1/4-20 X 1-1/4 Hex C/S GR 2 Zinc
12	490-0016-00-P11	1	Mwr Brake Lock Lever Assy Painted	40	323-7	1	Screw-HH
13	435-0032-60	1	Ttq 1310 Brake Rod	41	413-0019-00	4	5/16-18 Nylon Insert Flange L/Nut Zc
14	413-0020-00	2	3/8-16 Hex Flange Nut W/Serr Zinc Yellow	42	487-0005-00	4	5/16-18X1.286 Damper Ball Stud (.562 TI)
15	148-0185-P11	2	Reverse Detent Kick Plate	43	487-0001-00	2	Control Arm Damper
16	148-0187-P11	1	Reverse Dentent Spring Base (LH)	44	418-0008-00	7	Bolt-CARR
17	148-0186-P11	1	Reverse Dentent Spring Base (RH)	45	434-0003-00	1	Mwr Brake Pedal Release Spring
18	148-0262	1	Spring- Lt Reverse Detent	46	486-0030-00	2	No Plunger Limit Switch
19	138-7539	1	Spring-Torsion	47	418-0032-00	4	8-32 X 1/2 Ind. HWH Slot Type F Tcs Zinc
20	322-47	4	Screw-HH	48	425-0003-00	4	Mwr Drive Arm Spacer
21	619-4004-00	2	Striker Post Fender Washer	49	418-0050-00	2	1/2-13 X 3 Hex C/S GR 5 Zinc W/Loctite
22	413-0022-00	21	Nut-HF	50	410-0011-00	4	3/8 X 3/4 Bronze Washer
23	418-0051-00	6	3/8-16 X 1-3/4 Hex C/S GR 2 Zinc	51	148-0228	2	5/16-18 X 1 SI 5-Lobe Male ST Knob 1.90
24	410-0005-00	4	5/8In ID X 1-3/8In OD X 7/16In THK Brg	52	410-0070-00	1	5/16-24 Spher Rod End Zinc LH Thd Fem
25	413-0013-00	7	3/8-16 Nylon Insert Flange L/Nut Yz	53	410-0071-00	1	5/16-24 Spher Rod End Zinc RH Thd Fem
26	418-0060-00	4	5/16-18 X 1 Carriage Bolt GR 8 Yz	54	148-0178	2	5/16-24 NYL INS L/N GR.8 Zc/Yel
27	484-0001-00	2	Control Arm Handle Grip	55	414-0001-00	1	6In (40 Lb) Cable Tie Nylon Uv
28	139-2631	1	Screw-HH				

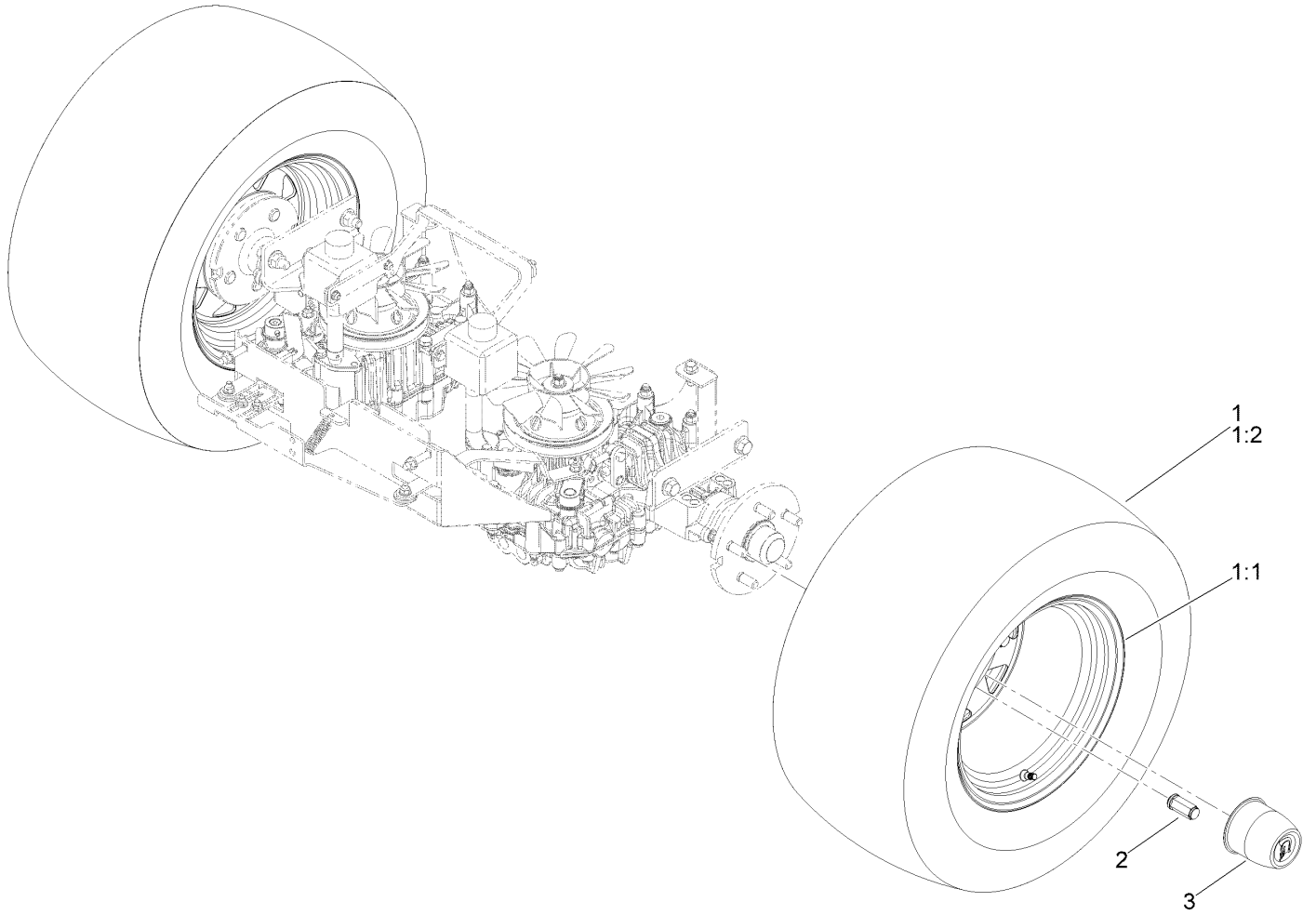
Front Caster Tire Assembly



Front Caster Tire Assembly (continued)

<i>Ref.</i>	<i>Part Number</i>	<i>Qty.</i>	<i>Description</i>	<i>Ref.</i>	<i>Part Number</i>	<i>Qty.</i>	<i>Description</i>
1	437-0019-00	2	Mwr Caster Shaft	8	422-0027-00	2	Rz/Rt Pro Ft Tire
2	103-3540	4	Bearing-Ball				Assy-Smooth Tread
3	425-0011-00	2	Caster Fork Shaft Bearing Spacer	9	419-0024-00	2	1In L/W Med Split Zc
4	419-0003-00	2	1/2 Fender Washer 1-1/4In OD Zinc	10	413-0063-00	2	Nut-Hex
5	419-0025-00	2	Ft Hub Plastic Washer	11	325-24	2	Screw-HH
6	426-0006-00-P11	2	Mwr Caster Shaft Washer	12	413-0002-00	2	Nut-Lock
7	423-0001-00-P11	2	Rt And Srt Caster Wheel Fork	13	418-0002-00	2	1/2-20 X 1-1/4 Hex Flange Bolt GR 8 Yz
				14	410-0018-00	4	Rz Ft Wheel Bearing
				15	425-0010-00	2	Mwr Ft Wheel Spanner

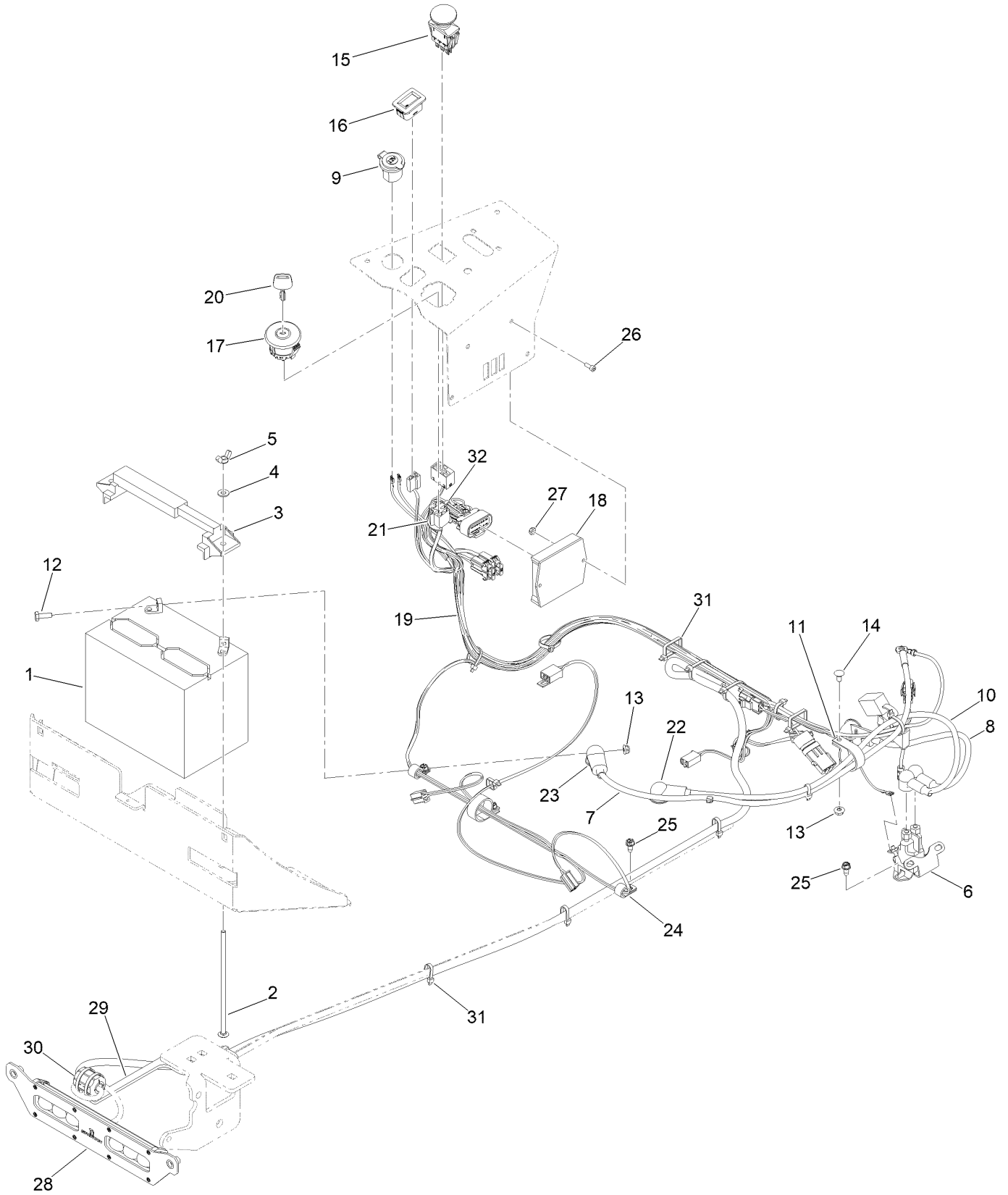
Drive Wheel Assembly



Drive Wheel Assembly (continued)

<i>Ref.</i>	<i>Part Number</i>	<i>Qty.</i>	<i>Description</i>	<i>Ref.</i>	<i>Part Number</i>	<i>Qty.</i>	<i>Description</i>
1	422-0058-00	2	Turf Armor 24X12-12 Rr Tire/Wheel Assy	2	613-0001-00	10	Lug Nuts
1:1	148-0777	1	Rim	3	422-0035-00	2	Rr Steel Wheel Silver Cntr Cap
1:2	148-0776	1	Tire				

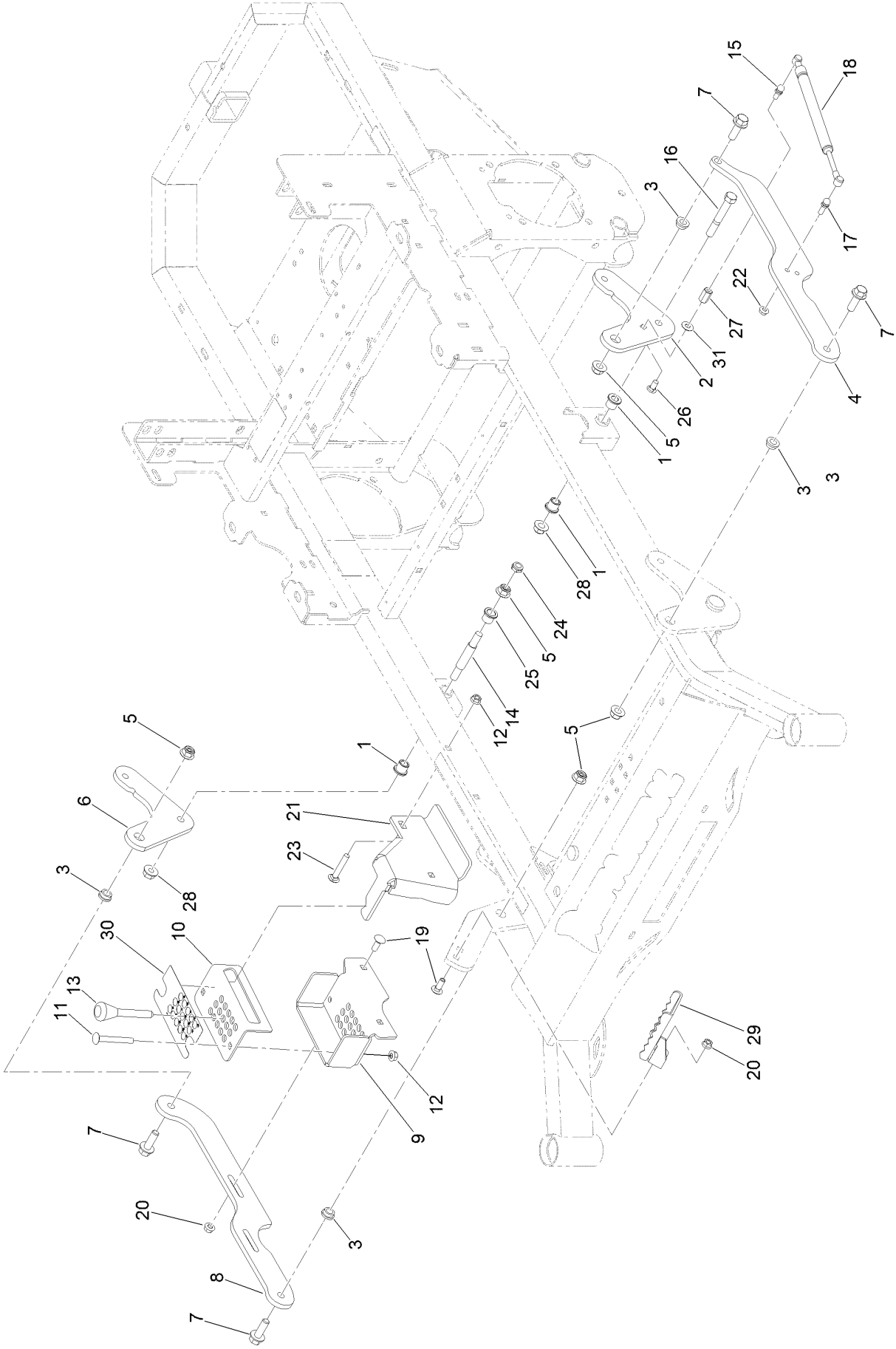
Electrical Assembly



Electrical Assembly (continued)

<i>Ref.</i>	<i>Part Number</i>	<i>Qty.</i>	<i>Description</i>	<i>Ref.</i>	<i>Part Number</i>	<i>Qty.</i>	<i>Description</i>
1	468-1004-00	1	12 Volt Start Battery 300CCA	19	486-0070-00	1	B&s 27HP/Kaw 726Cc Rt Pro Ttq Hrns
2	418-0034-00	2	1/4-20 X 7 Carriage Bolt Zinc	20	486-0065-00	1	2023 Mwr Key
3	443-0001-00	1	Battery Hold Down	21	486-0064-00	1	Mwr Keyswitch Jumper Harness
4	515-0038	2	Washer-Flat	22	436-0002-00	2	3.15 Lgth Straight Insul Term Cover Red
5	1-803038	2	Wingnut	23	436-0003-00	1	Straight Insulating Terminal Cover
6	486-0006-00	1	Heavy Duty Start Solenoid	24	2412-73	3	Clamp-R
7	486-0017-00	1	Mwr Negative Cable 28	25	120-9551	5	Screw-HWH
8	486-0018-00	1	Mwr Start Wire 12	26	418-0055-00	2	10-24 X 1/2 Socket C/S 18-8 SS
9	677-2075-00	1	12 Volt Auxilliary Plug	27	110-3145	2	Nut-Lock
10	486-0016-00	1	Mwr Positive Battery Cable 25In	28	486-0052-00	1	Split Beam W/Non-Lightd Helmet Light Bar
11	472-0001-00	1	1-1/4In Cushioned Loop Clamp Black	29	148-0219-05	1	Fair-Rite Bracket Painted
12	321-4	2	Screw-HH	30	148-0191	1	Fair-Rite Round Cable Snap-It Size B
13	413-0012-00	3	1/4-20 Hex Flange Nut	31	3290-379	18	Tie-Cable
14	3229-10	1	Screw-CARR	32	414-0001-00	3	6In (40 Lb) Cable Tie Nylon Uv
15	486-0060-00	1	PTO Switch				
16	486-0061-00	1	Hour Meter				
17	486-0062-00	1	Ignition Switch				
18	486-0063-00	1	Interlock Module				

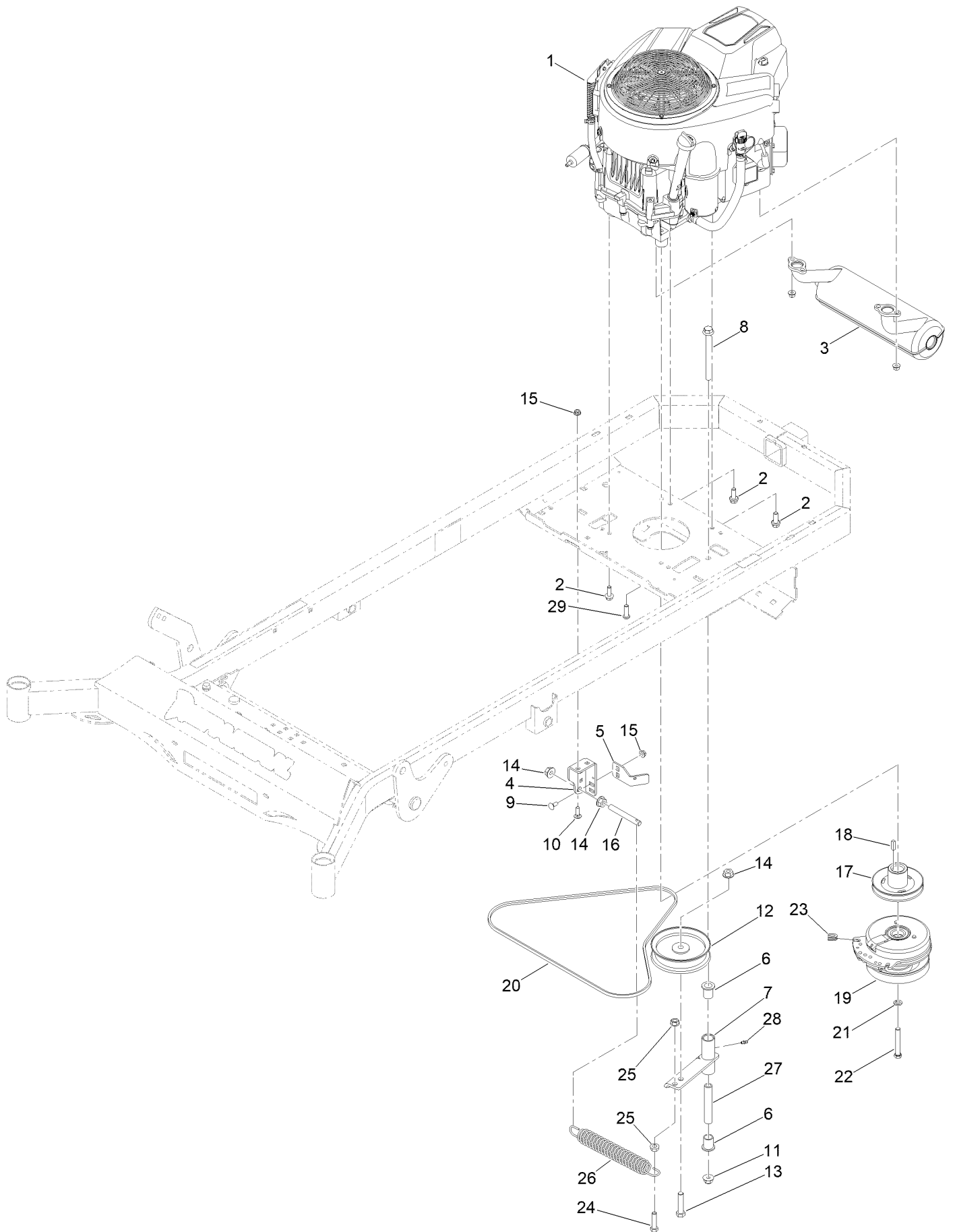
Decklift Assembly



Decklift Assembly (continued)

<i>Ref.</i>	<i>Part Number</i>	<i>Qty.</i>	<i>Description</i>	<i>Ref.</i>	<i>Part Number</i>	<i>Qty.</i>	<i>Description</i>
1	135-5694	3	Bushing-Flange	17	487-0008-00	1	5/16-18X1.286 Damper Ball Stud (.562 TI)
2	148-0420-P11	1	Arm-Decklift Rear (3/8")	18	434-0001-00	1	Deck Assist Gas Spring
3	410-0009-00	4	1/2In ID X 3/4In OD X 3/8In Flange Bush	19	418-0045-00	4	3/8-16 X 1 Carriage Bolt Yz GR.8
4	148-0416-P11	1	Link-Decklift	20	413-0020-00	4	3/8-16 Hex Flange Nut W/Serr Zinc Yellow
5	413-1005-00	5	1/2-13 Hex Flange 2-Way Rev Cntr L/Nyz	21	439-0752-00-P11	1	2022 Deck Lock Pin Tube Brkt
6	148-0418-P11	1	Arm-Decklift Rear (3/8")	22	413-0022-00	1	Nut-HF
7	100-6116	4	Screw-HHF	23	618-2023-00	2	Screw-CARR
8	148-0251-P11	1	2024 Deck Height Arm Rt Link	24	3296-45	1	Nut-Hex
9	148-0425-P11	1	Bracket Pin System (Bottom) Painted Grey	25	135-9063	1	Bushing-Flange
10	439-0753-00-P11	1	2022 Dhi Pin Arm Link Top Brkt	26	618-2068-00	1	3/8 X 3/4In GR 8 CARR Bolt Zinc
11	418-0095-05	2	(3/8-16 X 3 Carriage Bolt (GR.5) Zc/Yel)	27	148-0422	1	Hex Coupling Nut - Reducer (3/8" To 5/16
12	413-0029-00	4	Nut-Hex	28	32128-49	2	Nut-HHF
13	420-0009-00	1	Magnetic Pin For Stand On Mwr	29	439-0059-00-P11	1	Mwr Deck Height Foot Pedal Paint
14	418-0276-00	1	Rr Deck Height Bolt (Machined)	30	148-0428	1	Decal-Height Of Cut
15	487-0005-00	1	5/16-18X1.286 Damper Ball Stud (.562 TI)	31	619-8044-00	1	5/16In Uss Flat Washer (3/8 ID X 7/8 OD)
16	418-0042-00	1	1/2-13 X 3-1/2 Hex C/S GR 5 Zinc Yellow				

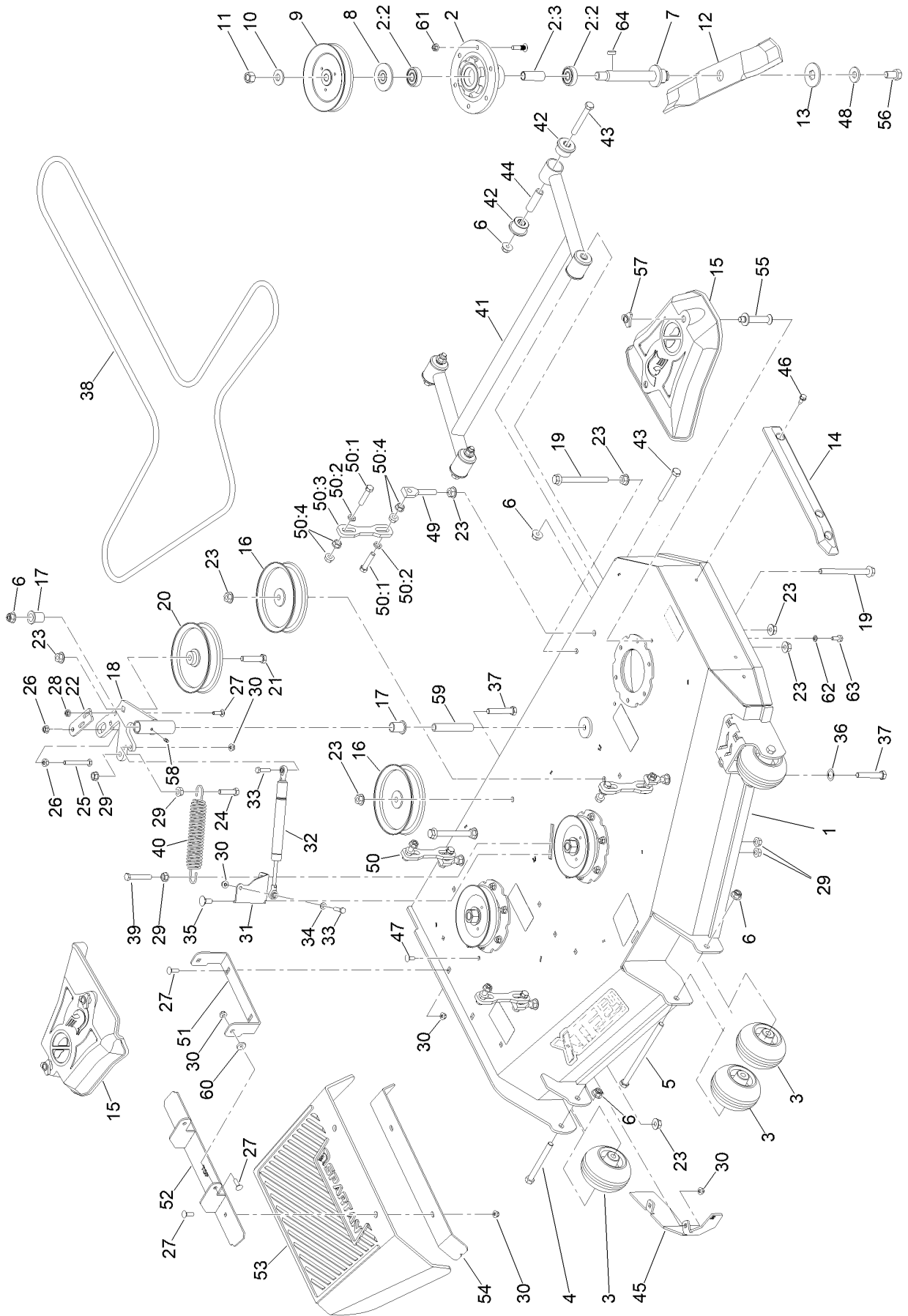
Engine Assembly



Engine Assembly (continued)

<i>Ref.</i>	<i>Part Number</i>	<i>Qty.</i>	<i>Description</i>	<i>Ref.</i>	<i>Part Number</i>	<i>Qty.</i>	<i>Description</i>
1	415-0098-00	1	27HP Briggs Cxi Engn W/Oil Extend	14	32128-49	3	Nut-HHF
2	418-0023-00	3	3/8-16 X 1-1/8 Ind HWH W/Serr Tri Lob Zy	15	413-0022-00	4	Nut-HF
3	415-0052-00	1	Exhaust Syst Briggs 25/27HP Engns	16	430-0001-00	1	Mwr Pump Idler Spring Tensioner
4	439-0244-00-P11	1	Mwr Pump Idler Tensioning Brktpainted	17	433-0002-00	1	Mwr Hydraulic Pump Drive Pulley (B-Belt)
5	439-0910-00-P11	1	Mower Clutch Anti Rotation Bracket Paint	18	1-807259	1	Key
6	410-0007-00	2	3/4In ID X15/16In OD X 1-1/8In Flng Bush	19	470-0002-00	1	Warner PTO Clutch
7	490-0018-00-P11	1	Mwr Pump Idler Assy Painted	20	461-0022-00	1	Ttq Rt Pump B-Belt (61.25")
8	418-0009-00	1	1/2-13 X 5-1/2 Hex Flange Bolt GR 8 Zy	21	3253-6	1	Washer-Lock
9	418-0008-00	2	Bolt-CARR	22	418-0022-00	1	7/16-20 X 3 Hex C/S GR 8 Zc Yellow
10	418-0010-00	2	Bolt-CARR	23	437-0025-00	1	Mwr Clutch Rotation Stop Brkt Sleeve
11	413-0002-00	1	Nut-Lock	24	324-7	1	Screw-HH
12	433-0013-00	1	5-3/4In Idler Pulley 7/16In Spacer Assy	25	32128-37	2	Nut-HF
13	325-9	1	Screw-HH	26	434-0007-00	1	Mwr Deck Spring
				27	425-0006-00	1	Mwr Inner Idler Spacer
				28	424-0002-00	1	1/4In Drive Type Grease Fitting Yz
				29	418-0224-00	1	3/8-16 X 1-1/4 Pan Torx (Tri-Lob) Trs Zc

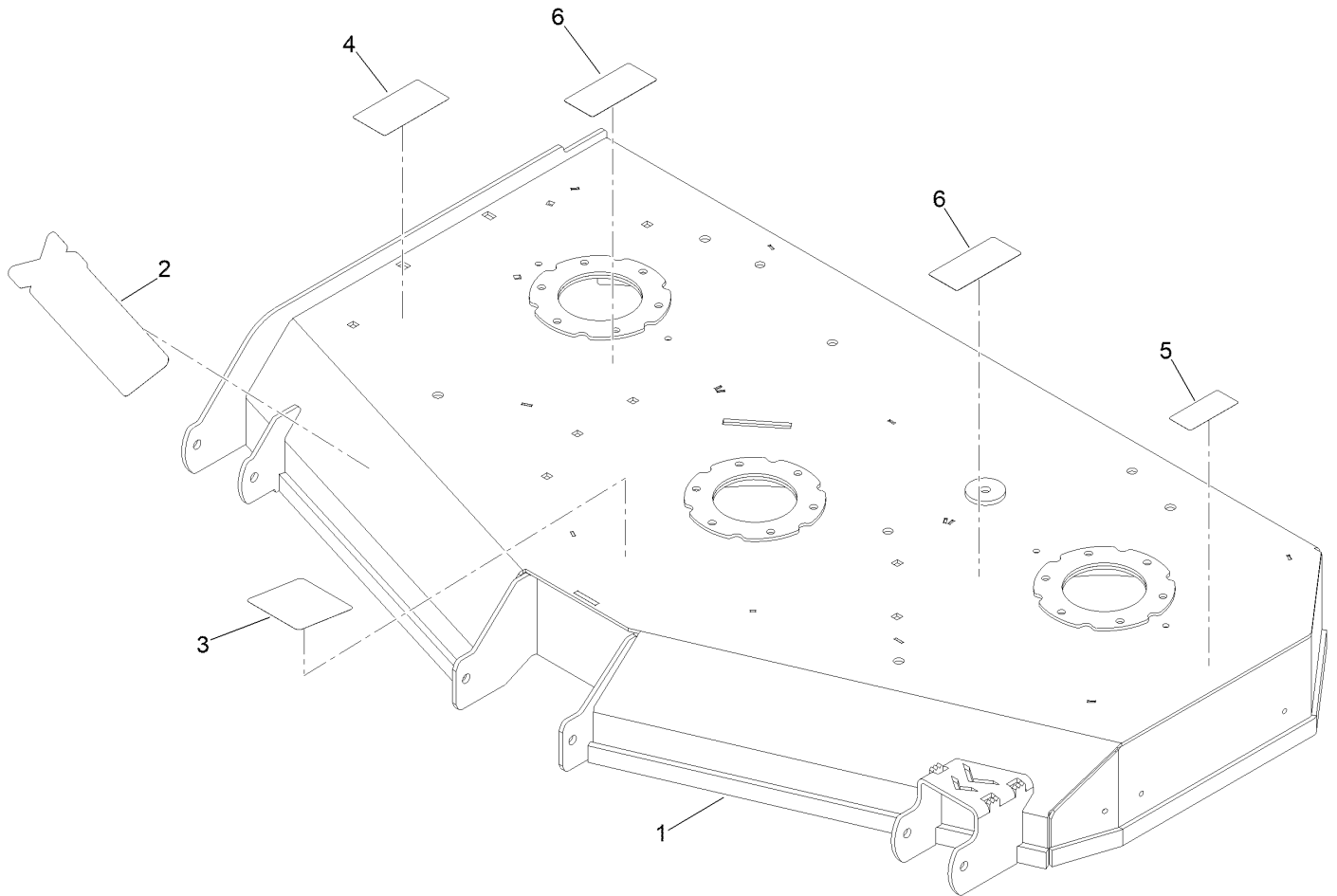
54 Inch Cutting Deck Assembly



54 Inch Cutting Deck Assembly (continued)

<i>Ref.</i>	<i>Part Number</i>	<i>Qty.</i>	<i>Description</i>	<i>Ref.</i>	<i>Part Number</i>	<i>Qty.</i>	<i>Description</i>
1	148-0786	1	ASM-Deck W/Decals	35	3232-1	1	Screw-CARR
2	148-0005	3	Spindle ASM 6" Deck	36	418-0110-00	1	.767Idx1.125Odx.016 THK Trip Wv Washer
2:2	116-0720	2	Bearing-Ball	37	418-0246-00	2	1/2-13 X 2-3/4 Hex Flange Bolt (GR.8) Yz
2:3	148-0026	1	Spacer, Bearing	38	461-0001-00	1	54 Deck Belt
3	422-0061-00	4	Mwr Anti-Scalp Whl W/O Grease Fitting	39	418-0013-00	1	Bolt-HH
4	325-19	2	Screw-HH	40	434-0007-00	1	Mwr Deck Spring
5	418-0015-00	1	1/2-13 X 8-1/2 Hex C/S GR 2 Zinc Yellow	41	490-0014-00-P11	1	54In/61In Deck Frame Stabilizer Painted
6	413-0002-00	8	Nut-Lock	42	732-2000-00	8	Red A80 Susp Bushing
7	148-0106	3	Shaft - Spindle	43	418-0021-00	4	1/2-13 X 3-3/4 Hex C/S (GR.5) Zc/Yel
8	116-1286	3	Guard,Bearing Top .989	44	732-2001-00	4	UTV A-Arm Bushing Sleeve
9	148-0031	3	Pulley	45	148-0207-P11	1	Baffle-Wiper 54 Painted
10	148-0113	3	M20 Spring Washer (44.5Mmod/ 3.3MM THK)	46	9264964	3	Screw-HWH, Thread Cut
11	148-0111	3	M20X1.5 C8.8 Hex Nut	47	418-0008-00	2	Bolt-CARR
12	148-0098	3	Blade-Rotary	48	148-0114	3	M16 Spring Washer (39Mmod/ 3.9MM THK)
13	148-0108	3	Washer-Hex	49	448-0001-00	4	Mwr Deck Height Adjustment Stud
14	429-0001-00	1	Mwr Nylon Deck Guard	50	435-0007-KT	4	Mwr Deck Susp Link Assy
15	148-0092	2	Cover Belt	50:1	435-0007-00-P11	1	Mwr Deck Susp Link Paint
16	433-0015-00	2	6-3/4In Idler Pulley 15/16In Spacer Assy	50:2	324-8	2	Screw-HH
17	410-0007-00	2	3/4In ID X15/16In OD X 1-1/8In Flng Bush	50:3	419-0010-00	2	.443 ID X .749 OD X .125 THK Nylon Black
18	490-0019-00-P11	1	Mwr Deck Idler Pulley Arm Assy Paint	50:4	32128-37	4	Nut-HF
19	418-0009-00	3	1/2-13 X 5-1/2 Hex Flange Bolt GR 8 Zy	51	439-0111-00-P11	1	Mwr Chute Mtg Brkt Painted
20	433-0014-00	1	6-3/4In Idler Pulley 7/16In Spacer ASM	52	490-0056-00-P11	1	Rt/Srt Deck Chute Hinge Assy Paint
21	418-0012-00	1	1/2-13 X 2-1/4 Hex C/S GR 5 Zinc	53	481-0011-00	1	2020 Rt/Srt Rubber Discharge Chute
22	439-0257-00-P11	1	Deck Idler Pulley Belt Retnr Brkt Paint	54	439-0190-00-P11	1	2020 Deck Chute Hinge Backer Brkt Paint
23	32128-49	15	Nut-HHF	55	148-0094	4	Pin-Belt Cover
24	324-7	1	Screw-HH	56	148-0109	3	M16X1.5-30MM C10.9 Hex Bolt
25	323-13	1	Screw-HH	57	148-0234	4	Nut-Knob
26	413-0020-00	2	3/8-16 Hex Flange Nut W/Serr Zinc Yellow	58	424-0002-00	1	1/4In Drive Type Grease Fitting Yz
27	418-0060-00	8	5/16-18 X 1 Carriage Bolt GR 8 Yz	59	425-0006-00	1	Mwr Inner Idler Spacer
28	413-0022-00	2	Nut-HF	60	419-0006-00	2	.312 ID X .875OD X .1875 THK F/W NYL
29	32128-37	5	Nut-HF	61	413-0029-00	18	Nut-Hex
30	413-0027-00	10	Nut-HF, NI	62	3253-4	4	Washer-Lock
31	439-0335-00-P11	1	Deck Belt Idler Damper Mtg Brkt Painted	63	116-7230	4	Screw-HHF
32	434-0009-00	1	Idler Gas Spring	64	148-0118	3	6MM X 6MM X 20MM Rounded Machine Key
33	322-47	2	Screw-HH				
34	413-0016-00	1	.312Idx.625Odx.062 THK Thrust Brg Oi Brz				

Deck Decal Assembly No. 148-0786

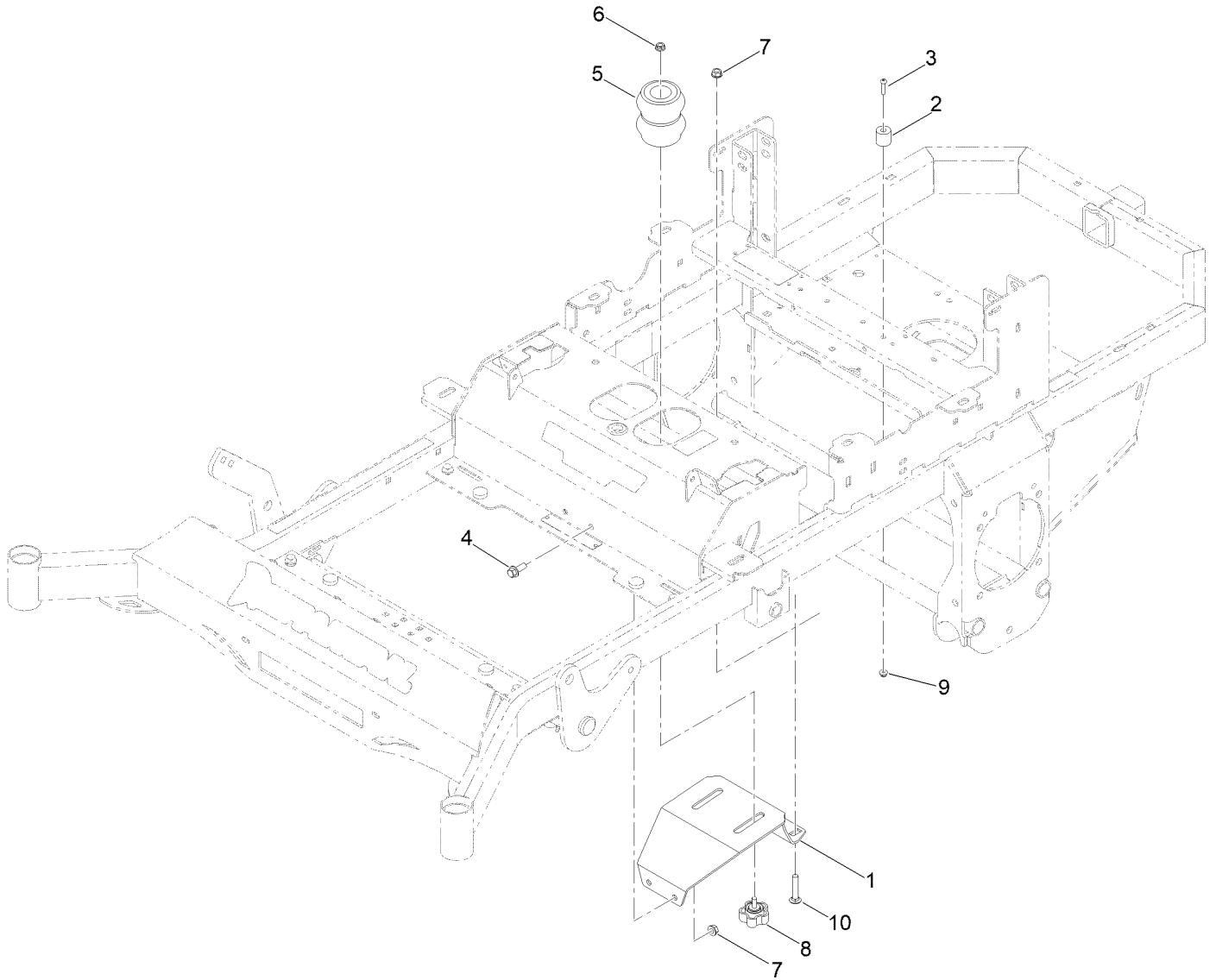


Deck Decal Assembly No. 148-0786 (continued)

<i>Ref.</i>	<i>Part Number</i>	<i>Qty.</i>	<i>Description</i>	<i>Ref.</i>	<i>Part Number</i>	<i>Qty.</i>	<i>Description</i>
1		1	Deck ASM-54 Painted ●	4	132-0872	1	Decal-Danger, Deck
2	148-0779	1	Decal-Xtf	5	148-0430	1	Decal-Safety Blade Torque
3	148-0260	1	Decal-Deck Belt Routing	6	125-6127	2	Decal-Rotating Fan Hazard

● Not serviced separately

Seat Suspension Assembly



Seat Suspension Assembly (continued)

<i>Ref.</i>	<i>Part Number</i>	<i>Qty.</i>	<i>Description</i>	<i>Ref.</i>	<i>Part Number</i>	<i>Qty.</i>	<i>Description</i>
1	490-0021-00-P11	1	Mwr Seat Susp Brkt (Srt) Painted	6	413-0022-00	2	Nut-HF
2	729-1000-00	2	Hood Rest Rubber Bumper	7	413-0020-00	4	3/8-16 Hex Flange Nut W/Serr Zinc Yellow
3	418-0039-00	2	1/4-20 X 1 Button Socket C/S 18-8 SS	8	445-0006-00	2	5/16-18X3/4 SI 5-Lobe Male Knob 1.90 DIA
4	131-2220	2	Screw-HHF	9	104-7201	2	Nut-HF, NI
5	487-0003-00	2	Srt Rr Susp And Seat Ft Elastomer Tcb-3	10	3231-6	2	Screw-CARR

Notes:

Notes:

