



RT Pro 61in Mower

Model No. SRPR261730KT

Parts Catalog



Ordering Replacement Parts

To order replacement parts, please supply the part number, the quantity, and the description of each part desired.

Understanding Reference Numbers

Each identified part in an illustration has a reference number. The reference number for a part also appears in the parts list, along with other information about the part.

This catalog uses two special reference number formats, one to indicate parts in a service assembly and another to indicate the quantity of a given part in an illustration.

Service Assembly Reference Numbers

Parts in service assemblies have reference numbers in the form a:b. The a represents the reference number of the entire service assembly and the b represents a sequential number unique to each part within the service assembly.

For example, a wheel assembly might be identified by reference number 6, the tire by 6:1, the valve by 6:2, and the wheel by 6:3. When you order the assembly identified by reference number 6, you receive all parts identified by reference numbers 6:1, 6:2, and 6:3. However, you may also order any part individually. Reference numbers of this type appear in illustration and in parts lists.

Reference Numbers Indicating Quantity

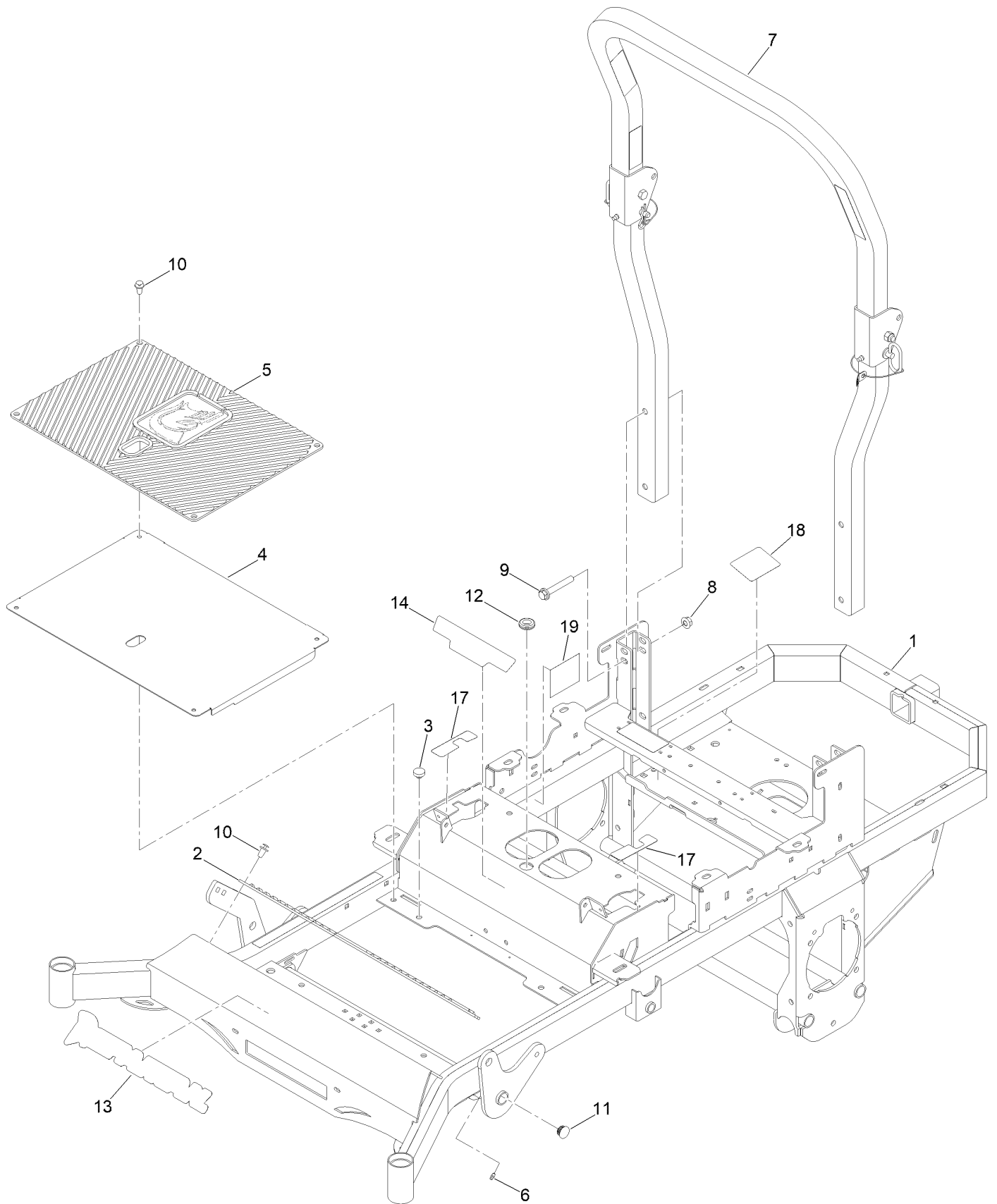
In an illustration, if a reference number indicates more than one part, the reference number has the form nX y. The n represents the quantity of the part, the X is the multiplication symbol, and the y represents the reference number.

For example, in an illustration, the reference number 2X 37 means that two of the parts identified by reference number 37 are indicated.

Contents

| | |
|---|----|
| Main Frame Assembly | 4 |
| Frame with Decals Assembly No. 148-0444 | 6 |
| Transmission Assembly | 8 |
| Body Styling Assembly | 10 |
| Fuel Tank Assembly | 12 |
| Seat Assembly | 14 |
| Motion Control and Parking Brake Assembly | 16 |
| Front Caster Tire Assembly | 18 |
| Drive Wheel Assembly | 20 |
| Electrical Assembly | 22 |
| Decklift Assembly | 24 |
| Engine Assembly | 26 |
| 61 Inch Cutting Deck Assembly | 28 |
| Deck Decal Assembly No. 148-0787 | 30 |
| Seat Suspension Assembly | 32 |

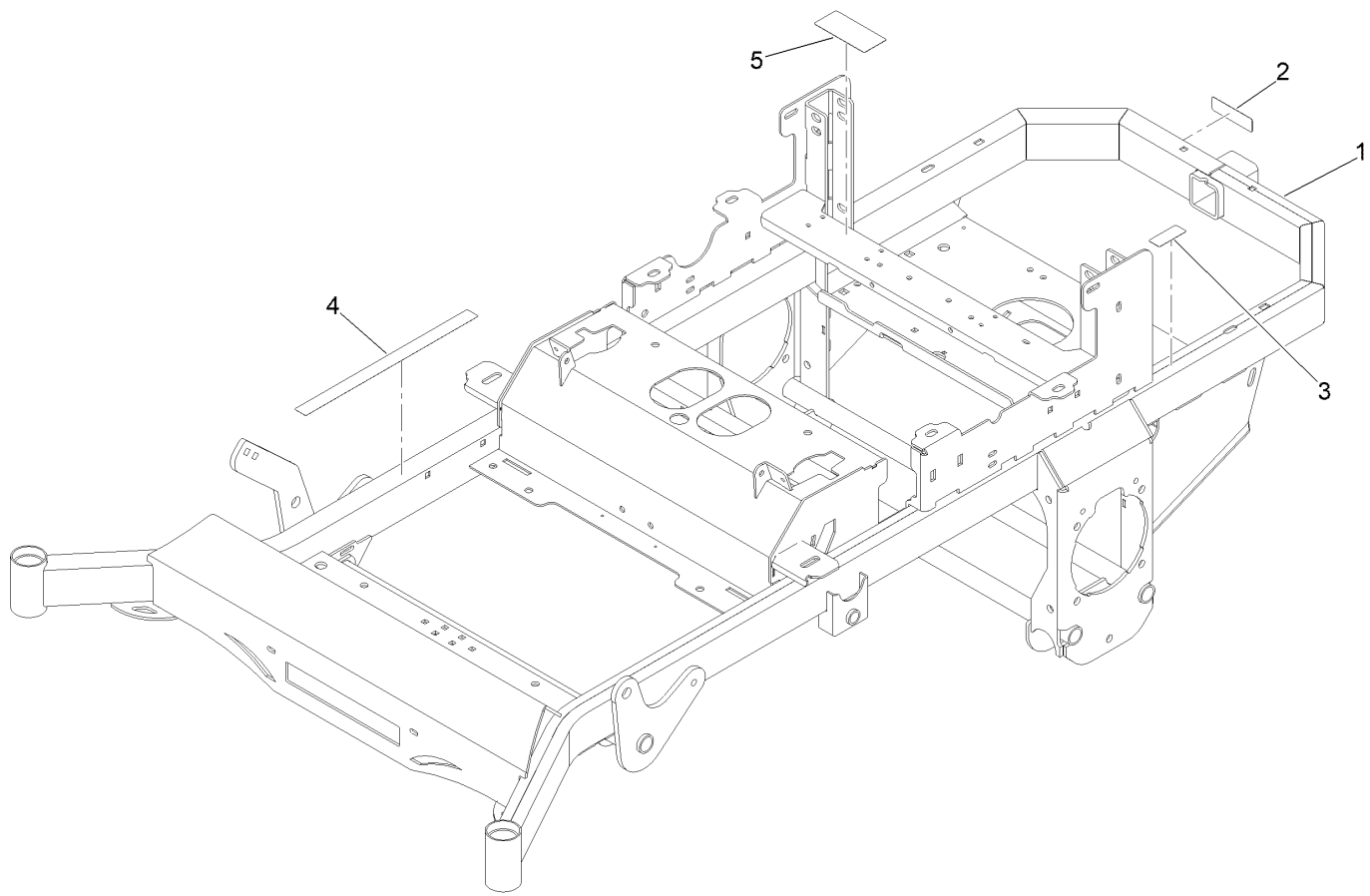
Main Frame Assembly



Main Frame Assembly (continued)

| <i>Ref.</i> | <i>Part Number</i> | <i>Qty.</i> | <i>Description</i> | <i>Ref.</i> | <i>Part Number</i> | <i>Qty.</i> | <i>Description</i> |
|-------------|--------------------|-------------|---|-------------|--------------------|-------------|---------------------------------------|
| 1 | 148-0444 | 1 | ASM Frame W/ Decals | 10 | 414-0002-00 | 10 | 8MM Push Type Retainer Nylon Black |
| 2 | 481-0005-00 | 1 | Mwr Rubber Foot Rest Mat | 11 | 414-0015-00 | 2 | 1-1/4 In Round Tube Plug |
| 3 | 429-0002-00 | 4 | Push-In Rubber Bumper Mwr Floor | 12 | 240-6 | 1 | Grommet-Rubber |
| 4 | 439-0007-00-P11 | 1 | Mwr Floorboard Paint | 13 | 148-0801 | 1 | Decal-Spartan, Front |
| 5 | 481-0006-00 | 1 | Mwr Logo Floor Mat | 14 | 491-0203-00 | 1 | 2022 Rt-Pro W/Gt Trac Decal |
| 6 | 624-1000-00 | 2 | 1/4 Drive Type Straight Grease Fittng Zc | 17 | 148-0259 | 1 | Decal-Motion Control |
| 7 | 497-0002-00 | 1 | Mwr Fold Down ROPS | 18 | 148-0477 | 1 | Decal-Pump Belt Routing-Tuff Torq |
| 8 | 413-0014-00 | 4 | 1/2-13 Hex Stover Locknut GR C Zinc | 19 | 148-0426 | 1 | Decal-E P A |
| 9 | 418-0019-00 | 4 | Bolt-HF | | | | |

Frame with Decals Assembly No. 148-0444



Frame with Decals Assembly No. 148-0444 (continued)

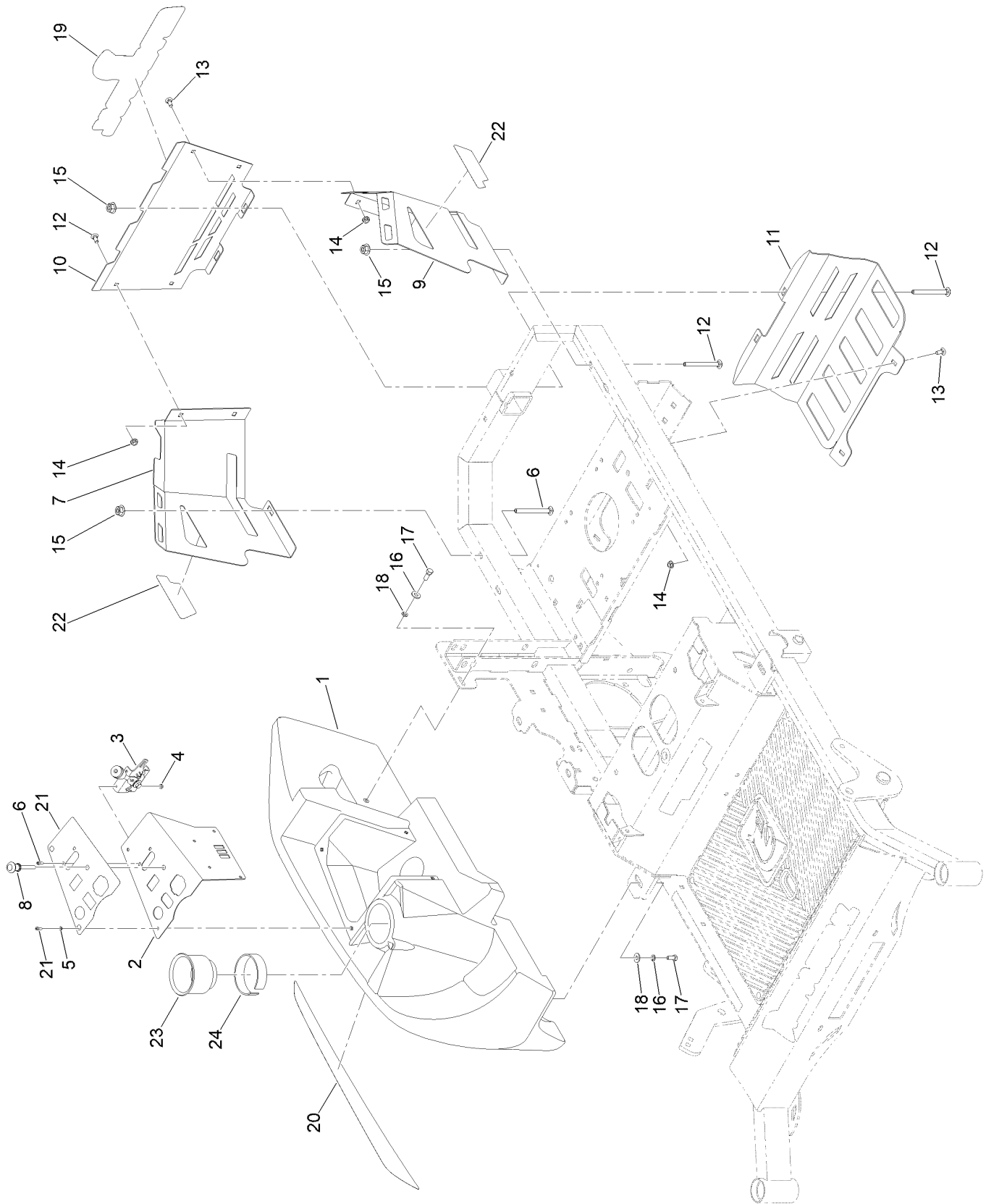
| <i>Ref.</i> | <i>Part Number</i> | <i>Qty.</i> | <i>Description</i> | <i>Ref.</i> | <i>Part Number</i> | <i>Qty.</i> | <i>Description</i> |
|-------------|--------------------|-------------|--------------------------|-------------|--------------------|-------------|---------------------------|
| 1 | | 1 | Frame ASM - Rt Painted ● | 4 | 142-7754 | 1 | Decal-Warning |
| 2 | 147-7364 | 1 | Decal-Hitch | 5 | 125-6127 | 1 | Decal-Rotating Fan Hazard |
| 3 | 127-0392 | 1 | Decal-Hot Surface | | | | |

● Not serviced separately

Transmission Assembly (continued)

| <i>Ref.</i> | <i>Part Number</i> | <i>Qty.</i> | <i>Description</i> | <i>Ref.</i> | <i>Part Number</i> | <i>Qty.</i> | <i>Description</i> |
|-------------|--------------------|-------------|--|-------------|--------------------|-------------|--|
| 1 | 439-0828-00-P11 | 2 | Tt13 Drive Motor Mounting Bracket | 20 | 618-2100-00 | 4 | M10 X 1.5 X 25MM TAP Bolt |
| 2 | 450-0067-00 | 1 | 2023 Tzt-13 Lt Side Hydro Transmission | 21 | 419-0007-00 | 12 | Washer-Flat |
| 3 | 450-0068-00 | 1 | 2023 Tzt-13 Rt Side Hydro Transmn | 22 | 439-0827-00-P11 | 1 | Tt13 Brake Interlock Bracket: Painted |
| 4 | 419-0028-00 | 4 | Flt Washer 1.25Odx.38ldx.125 THK Pla | 23 | 618-2073-00 | 12 | 3/8In-16X3-1/4In Hex HD Cap Scr |
| 5 | 439-0829-00-P11 | 1 | Tt13 Brake Rod Bracket | 24 | 613-5202-00 | 12 | 3/8-16 Nylock Flange Nut |
| 6 | 426-0243-00-P11 | 1 | Tt13 Transmission Mount Brace | 25 | 413-0020-00 | 4 | 3/8-16 Hex Flange Nut W/Serr Zinc Yellow |
| 7 | 426-0244-00-P11 | 1 | Tt13 Brake Rod Plate Left Side | 26 | 131-2220 | 2 | Screw-HHF |
| 8 | 426-0242-00-P11 | 1 | Tt13 Brake Rod Plate Right Side | 27 | 486-0030-00 | 1 | No Plunger Limit Switch |
| 9 | 451-0001-00 | 19 | Mwr 5/8In Hydraulic Hose, 1Ft | 28 | 418-0032-00 | 2 | 8-32 X 1/2 Ind. HWH Slot Type F Tcs Zinc |
| 10 | 148-0514-P11 | 1 | Bracket-Reservoir | 29 | 418-0008-00 | 2 | Bolt-CARR |
| 11 | 567-0002-00 | 2 | Rt-Pro Tt13 1/4 Liter Hydr Fluid Resrv | 30 | 413-0022-00 | 4 | Nut-HF |
| 12 | 472-0013-00 | 4 | 22MM Hose Clamp (Ctb-22ST-Fk) | 31 | AU426-516 | 4 | Screw-HH |
| 13 | 490-0072-00-P11 | 1 | Tt13 Drive Motor Mounting Rear Left Brkt | 32 | 413-0027-00 | 4 | Nut-HF, NI |
| 14 | 490-0073-00-P11 | 1 | Tt13 Drive Motor Mounting Rear Right Brk | 33 | 322-47 | 2 | Screw-HH |
| 15 | 410-0070-00 | 1 | 5/16-24 Spher Rod End Zinc LH Thd Fem | 34 | 148-0178 | 2 | 5/16-24 NYL INS L/N GR.8 Zc/Yel |
| 16 | 410-0071-00 | 1 | 5/16-24 Spher Rod End Zinc RH Thd Fem | 35 | 116-7230 | 2 | Screw-HHF |
| 17 | 100-6116 | 4 | Screw-HHF | 36 | 619-0010-50 | 4 | 1/4 Flat Washer Black 18-8 Black Zinc |
| 18 | 32128-49 | 4 | Nut-HHF | 37 | 321-4 | 4 | Screw-HH |
| | | | | 38 | 104-7201 | 4 | Nut-HF, NI |
| | | | | 39 | 434-0003-00 | 1 | Mwr Brake Pedal Release Spring |
| | | | | 40 | 439-0830-00-P11 | 1 | Tt13 Battery Box Mount Plate Painted |
| | | | | 41 | 3231-6 | 2 | Screw-CARR |
| | | | | 42 | 48-9590 | 4 | Washer-Lock |

Body Styling Assembly



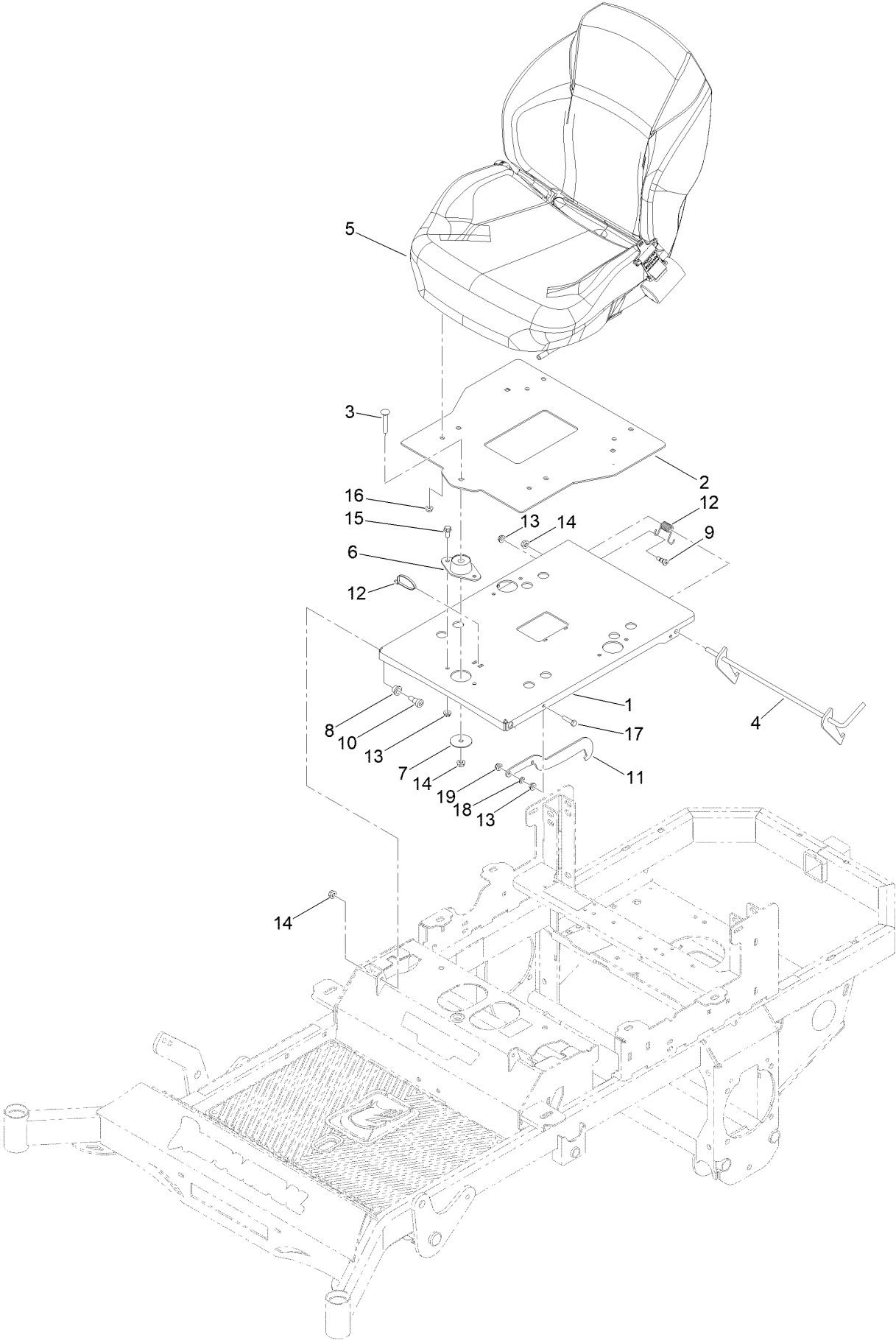
Body Styling Assembly (continued)

| <i>Ref.</i> | <i>Part Number</i> | <i>Qty.</i> | <i>Description</i> | <i>Ref.</i> | <i>Part Number</i> | <i>Qty.</i> | <i>Description</i> |
|-------------|--------------------|-------------|--|-------------|--------------------|-------------|----------------------------------|
| 1 | 148-0307 | 1 | Console W/ Cupholder | 11 | 148-1172-P11 | 1 | Muffler Guard [gray] |
| 2 | 439-0895-00-P11 | 1 | Control Panel Brkt Individ Controls Paint | 12 | 418-0018-00 | 4 | 3/8-16 X 4 Carriage Bolt Zinc |
| 3 | 464-0001-00 | 1 | Mwr Throttle Cable Assy W / Handle | 13 | 418-0008-00 | 6 | Bolt-CARR |
| 4 | 110-3145 | 2 | Nut-Lock | 14 | 413-0022-00 | 6 | Nut-HF |
| 5 | 419-0011-00 | 4 | #10 Split Lockwasher 18-8 SS | 15 | 413-0029-00 | 4 | Nut-Hex |
| 6 | 418-0055-00 | 6 | 10-24 X 1/2 Socket C/S 18-8 SS | 16 | 419-0007-00 | 4 | Washer-Flat |
| 7 | 439-0691-00-P11 | 1 | 2021 Rt/Srt Engn Cowling Rtpainted | 17 | 418-0054-00 | 4 | Screw-HH |
| 8 | 464-0002-00 | 1 | Mwr Choke Cable Assm | 18 | 3253-4 | 4 | Washer-Lock |
| 9 | 439-0692-00-P11 | 1 | 2021 Rt/Srt Engn Cowling Lt Painted | 19 | 491-0040-00 | 1 | Mwr Rr Spartan Logo |
| 10 | 148-0896-P11 | 1 | Plate - Engine Cowling | 20 | 148-0845 | 1 | Decal-Tank |
| | | | | 21 | 148-0467 | 1 | Decal- Console, Keyswitch |
| | | | | 22 | 491-0171-00 | 2 | Rt-Pro Model Decal |
| | | | | 23 | 780-2220-00 | 1 | Cup Holder |
| | | | | 24 | 148-0770 | 1 | Tape-Foam |

Fuel Tank Assembly (continued)

| <i>Ref.</i> | <i>Part Number</i> | <i>Qty.</i> | <i>Description</i> | <i>Ref.</i> | <i>Part Number</i> | <i>Qty.</i> | <i>Description</i> |
|-------------|--------------------|-------------|--|-------------|--------------------|-------------|--|
| 1 | 467-0001-00 | 1 | Mwr Gasoline Fuel Tank Assy | 8 | 418-0045-00 | 2 | 3/8-16 X 1 Carriage Bolt Yz GR.8 |
| 2 | 451-0002-00 | 10 | Mwr Fuel Tank Black 3/16In Vent Tube 1Ft | 9 | 418-0054-00 | 4 | Screw-HH |
| 3 | 439-0448-00-P11 | 1 | Rt/Srt Gas Tank Support Painted | 10 | 413-0020-00 | 2 | 3/8-16 Hex Flange Nut W/Serr Zinc Yellow |
| 4 | 472-0004-00 | 2 | 1/2In (#8) Hose Clamp | 11 | 148-0844 | 1 | Decal-Tank |
| 5 | 481-0004-00 | 1 | Rubber Tank Storage Compartment Insert | 12 | 751-1014-00 | 10 | 1/4In SAE J30R7 Bulk Hose 1Ft |
| 6 | 419-0007-00 | 4 | Washer-Flat | 13 | 472-0006-00 | 2 | 19MM Hose Clamp |
| 7 | 3253-4 | 4 | Washer-Lock | 14 | 429-0002-00 | 1 | Push-In Rubber Bumper Mwr Floor |

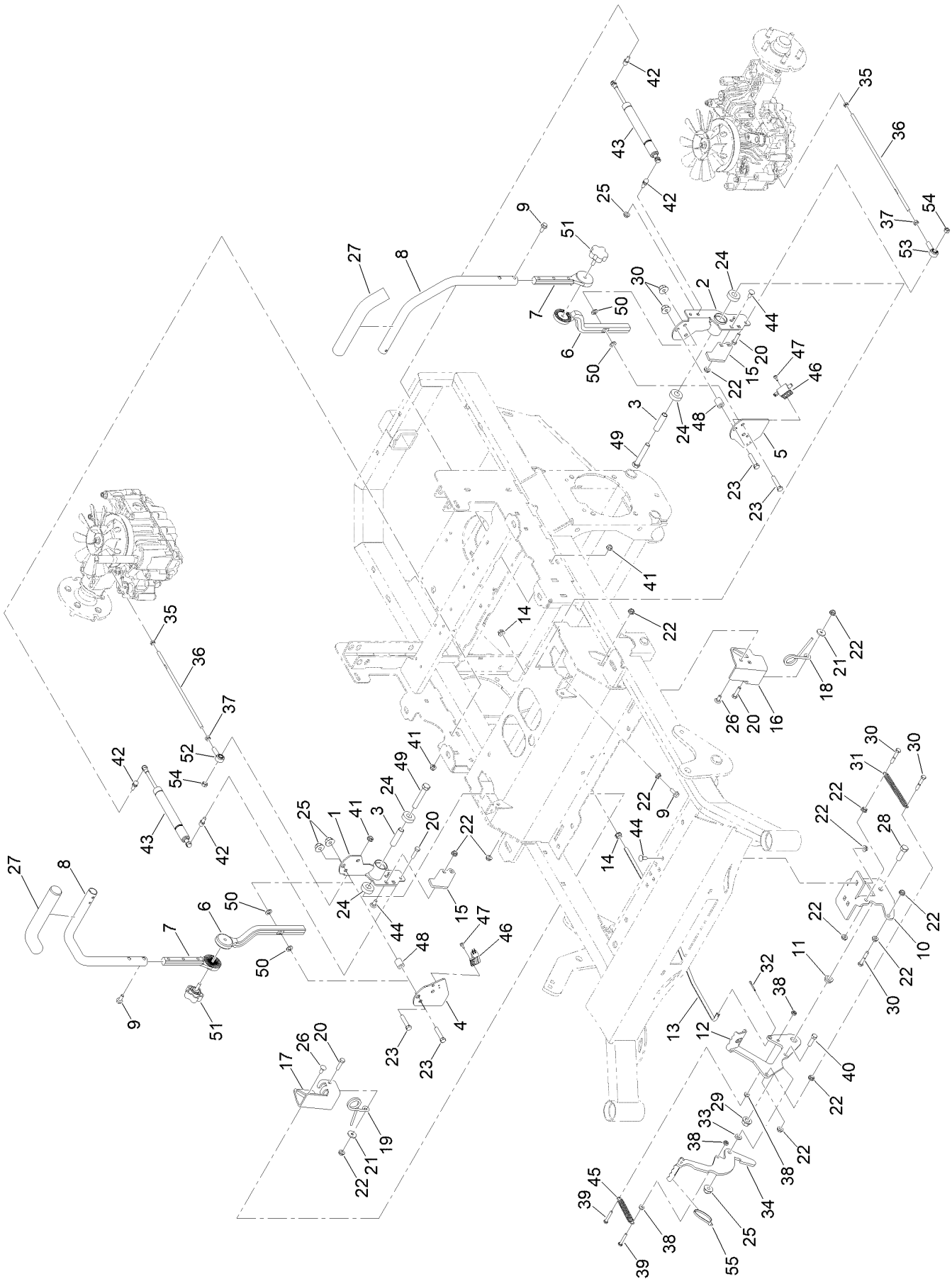
Seat Assembly



Seat Assembly (continued)

| <i>Ref.</i> | <i>Part Number</i> | <i>Qty.</i> | <i>Description</i> | <i>Ref.</i> | <i>Part Number</i> | <i>Qty.</i> | <i>Description</i> |
|-------------|--------------------|-------------|--|-------------|--------------------|-------------|---|
| 1 | 148-0290 | 1 | ASM, Plate-Seat Base Upgrade W/ Decals | 10 | 418-0038-00 | 2 | 1/2 X 1/2 Socket Shoulder Bolt Zc Yellow |
| 2 | 426-0231-00-P11 | 1 | 2019 Upgrade Seat Plate Paint | 11 | 439-0065-00-P11 | 1 | Mwr Seat Latch Hook Paint |
| 3 | 618-2023-00 | 3 | Screw-CARR | 12 | 434-0004-00 | 1 | Mwr Seat Latch Spring |
| 4 | 490-0011-61 | 1 | Mwr Seat Latch Release Assy Abc | 13 | 413-0022-00 | 8 | Nut-HF |
| 5 | 471-0035-00 | 1 | Rt Pro Seat | 14 | 413-0029-00 | 6 | Nut-Hex |
| 6 | 487-0007-00 | 3 | Floating Seat Damper-Stiffer | 15 | 116-7230 | 6 | Screw-HHF |
| 7 | 419-0022-00 | 3 | 3/8 X 2In OD Fender Washer Yz | 16 | 413-0019-00 | 4 | 5/16-18 Nylon Insert Flange L/Nut Zc |
| 8 | 410-0010-00 | 2 | 1/2In ID X 5/8In OD X 1/2In Flange Bush | 17 | 322-47 | 1 | Screw-HH |
| 9 | 1-809056 | 1 | Screw-HSH Shldr | 18 | 413-0016-00 | 1 | .312Idx.625Odx.062 THK Thrust Brg Oi Brz |
| | | | | 19 | 413-0027-00 | 1 | Nut-HF, NI |

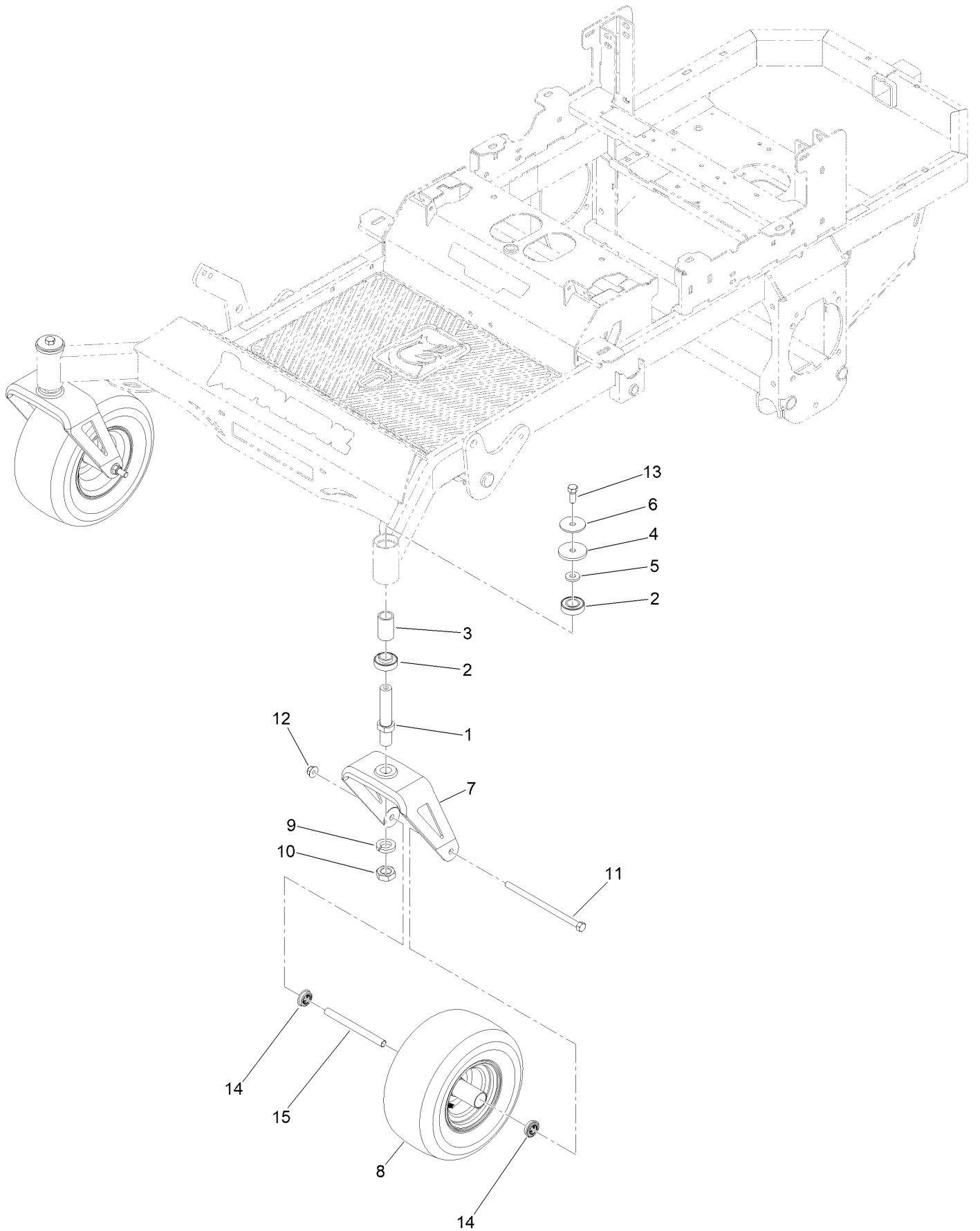
Motion Control and Parking Brake Assembly



Motion Control and Parking Brake Assembly (continued)

| <i>Ref.</i> | <i>Part Number</i> | <i>Qty.</i> | <i>Description</i> | <i>Ref.</i> | <i>Part Number</i> | <i>Qty.</i> | <i>Description</i> |
|-------------|--------------------|-------------|---|-------------|--------------------|-------------|---|
| 1 | 148-0245-P11 | 1 | Motion Control Brkt | 29 | 413-0002-00 | 1 | Nut-Lock |
| 2 | 148-0246-P11 | 1 | Motion Control Brkt | 30 | 418-0027-00 | 3 | Bolt-HH |
| 3 | 425-0004-00 | 2 | Mwr Drive Arm Hub / Deck Lift Arm Spacer | 31 | 434-0015-00 | 1 | 2020 Mwr Brake Pedal Tension Spring |
| 4 | 426-0003-00-P11 | 1 | Rt Control Arm Limit Switch Plate Paint | 32 | 3272-11 | 1 | Pin-Cotter |
| 5 | 426-0002-00-P11 | 1 | Lt Control Arm Limit Switch Plate Paint | 33 | 413-0052-00 | 1 | 3/8 ID X 3/4 OD X .125 THK Bronze Washer |
| 6 | 431-0002-00 | 2 | Adjustable Lwr Drive Arm | 34 | 490-0017-00-P11 | 1 | Mwr Brake Unlock Lever Assy Painted |
| 7 | 431-0003-00 | 2 | Adjustable Upp Drive Arm | 35 | 3220-20 | 2 | Nut-Jam |
| 8 | 403-0020-10-P11 | 2 | Mower Drive Handle Tube Abc | 36 | 435-0033-00 | 2 | 1310 Ttg Drive Arm Rod |
| 9 | 116-7230 | 6 | Screw-HHF | 37 | 09207 | 2 | Nut |
| 10 | 439-0009-00-P11 | 1 | Mwr Frame Brake Mtg Brkt Paint | 38 | 413-0012-00 | 4 | 1/4-20 Hex Flange Nut |
| 11 | 410-0009-00 | 1 | 1/2In ID X 3/4In OD X 3/8In Flange Bush | 39 | 418-0029-00 | 2 | 1/4-20 X 1-1/4 Hex C/S GR 2 Zinc |
| 12 | 490-0016-00-P11 | 1 | Mwr Brake Lock Lever Assy Painted | 40 | 323-7 | 1 | Screw-HH |
| 13 | 435-0032-60 | 1 | Ttg 1310 Brake Rod | 41 | 413-0019-00 | 4 | 5/16-18 Nylon Insert Flange L/Nut Zc |
| 14 | 413-0020-00 | 2 | 3/8-16 Hex Flange Nut W/Serr Zinc Yellow | 42 | 487-0005-00 | 4 | 5/16-18X1.286 Damper Ball Stud (.562 TI) |
| 15 | 148-0185-P11 | 2 | Reverse Detent Kick Plate | 43 | 487-0001-00 | 2 | Control Arm Damper |
| 16 | 148-0187-P11 | 1 | Reverse Dentent Spring Base (LH) | 44 | 418-0008-00 | 7 | Bolt-CARR |
| 17 | 148-0186-P11 | 1 | Reverse Dentent Spring Base (RH) | 45 | 434-0003-00 | 1 | Mwr Brake Pedal Release Spring |
| 18 | 148-0262 | 1 | Spring- Lt Reverse Detent | 46 | 486-0030-00 | 2 | No Plunger Limit Switch |
| 19 | 138-7539 | 1 | Spring-Torsion | 47 | 418-0032-00 | 4 | 8-32 X 1/2 Ind. HWH Slot Type F Tcs Zinc |
| 20 | 322-47 | 4 | Screw-HH | 48 | 425-0003-00 | 4 | Mwr Drive Arm Spacer |
| 21 | 619-4004-00 | 2 | Striker Post Fender Washer | 49 | 418-0050-00 | 2 | 1/2-13 X 3 Hex C/S GR 5 Zinc W/Loctite |
| 22 | 413-0022-00 | 21 | Nut-HF | 50 | 410-0011-00 | 4 | 3/8 X 3/4 Bronze Washer |
| 23 | 418-0051-00 | 6 | 3/8-16 X 1-3/4 Hex C/S GR 2 Zinc | 51 | 148-0228 | 2 | 5/16-18 X 1 SI 5-Lobe Male ST Knob 1.90 |
| 24 | 410-0005-00 | 4 | 5/8In ID X 1-3/8In OD X 7/16In THK Brg | 52 | 410-0070-00 | 1 | 5/16-24 Spher Rod End Zinc LH Thd Fem |
| 25 | 413-0013-00 | 7 | 3/8-16 Nylon Insert Flange L/Nut Yz | 53 | 410-0071-00 | 1 | 5/16-24 Spher Rod End Zinc RH Thd Fem |
| 26 | 418-0060-00 | 4 | 5/16-18 X 1 Carriage Bolt GR 8 Yz | 54 | 148-0178 | 2 | 5/16-24 NYL INS L/N GR.8 Zc/Yel |
| 27 | 484-0001-00 | 2 | Control Arm Handle Grip | 55 | 414-0001-00 | 1 | 6In (40 Lb) Cable Tie Nylon Uv |
| 28 | 139-2631 | 1 | Screw-HH | | | | |

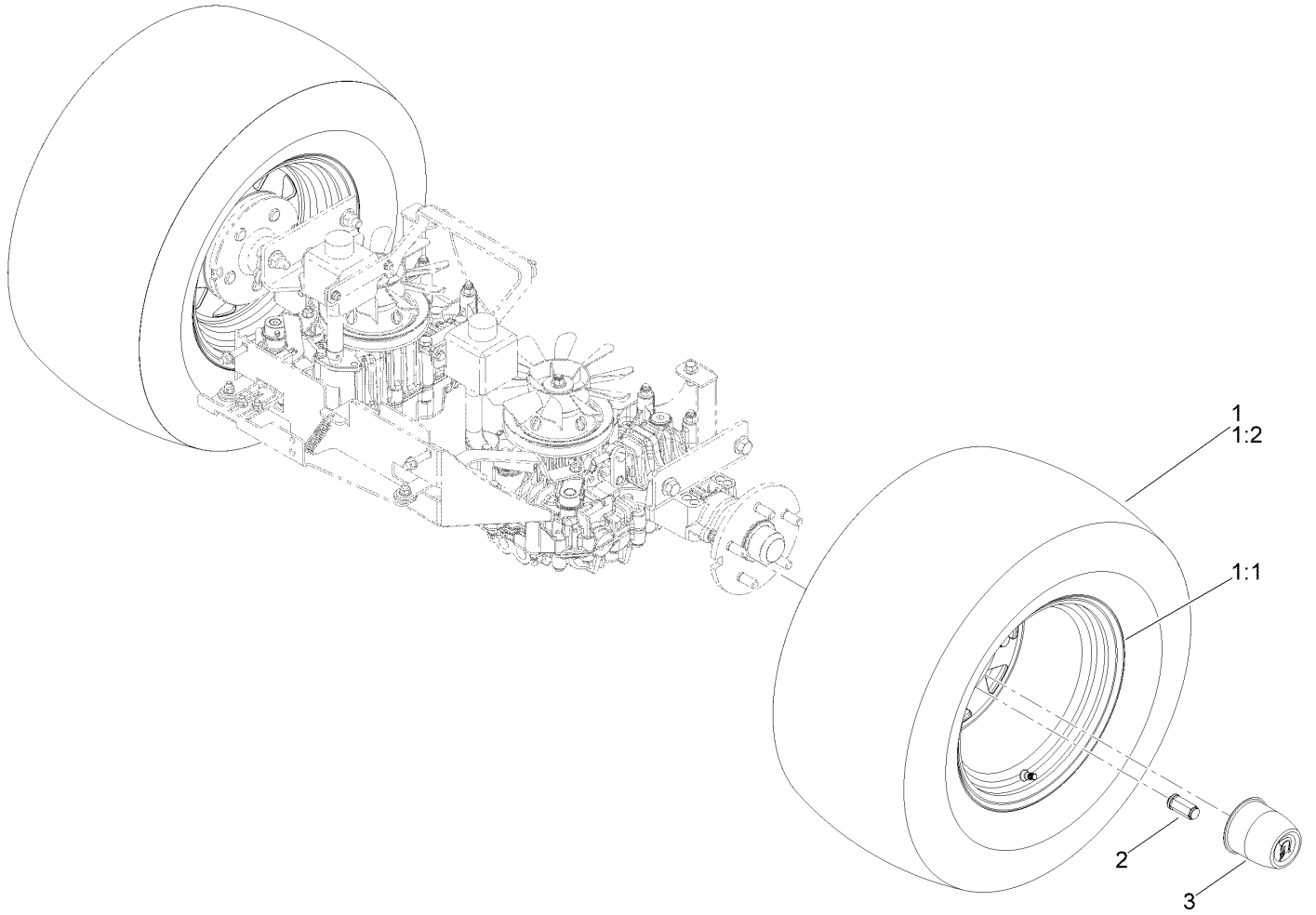
Front Caster Tire Assembly



Front Caster Tire Assembly (continued)

| <i>Ref.</i> | <i>Part Number</i> | <i>Qty.</i> | <i>Description</i> | <i>Ref.</i> | <i>Part Number</i> | <i>Qty.</i> | <i>Description</i> |
|-------------|--------------------|-------------|--------------------------------------|-------------|--------------------|-------------|---|
| 1 | 437-0019-00 | 2 | Mwr Caster Shaft | 8 | 422-0027-00 | 2 | Rz/Rt Pro Ft Tire |
| 2 | 103-3540 | 4 | Bearing-Ball | | | | Assy-Smooth Tread |
| 3 | 425-0011-00 | 2 | Caster Fork Shaft Bearing Spacer | 9 | 419-0024-00 | 2 | 1In L/W Med Split Zc |
| 4 | 419-0003-00 | 2 | 1/2 Fender Washer 1-1/4In OD Zinc | 10 | 413-0063-00 | 2 | Nut-Hex |
| 5 | 419-0025-00 | 2 | Ft Hub Plastic Washer | 11 | 325-24 | 2 | Screw-HH |
| 6 | 426-0006-00-P11 | 2 | Mwr Caster Shaft Washer | 12 | 413-0002-00 | 2 | Nut-Lock |
| 7 | 423-0001-00-P11 | 2 | Rt And Srt Caster Wheel Fork | 13 | 418-0002-00 | 2 | 1/2-20 X 1-1/4 Hex Flange Bolt GR 8 Yz |
| | | | | 14 | 410-0018-00 | 4 | Rz Ft Wheel Bearing |
| | | | | 15 | 425-0010-00 | 2 | Mwr Ft Wheel Spanner |

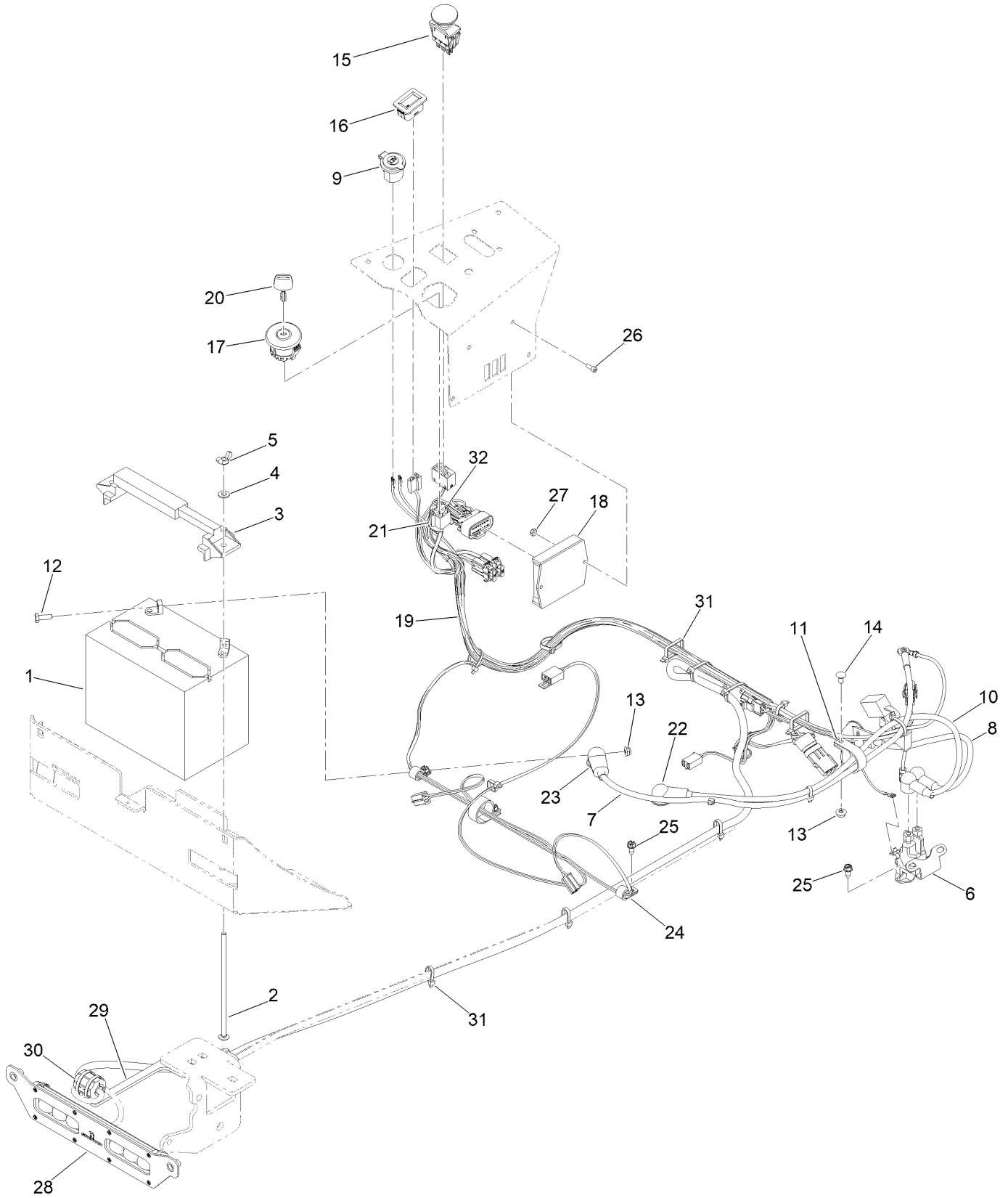
Drive Wheel Assembly



Drive Wheel Assembly (continued)

| <i>Ref.</i> | <i>Part Number</i> | <i>Qty.</i> | <i>Description</i> | <i>Ref.</i> | <i>Part Number</i> | <i>Qty.</i> | <i>Description</i> |
|-------------|--------------------|-------------|---|-------------|--------------------|-------------|-----------------------------------|
| 1 | 422-0058-00 | 2 | Turf Armor 24X12-12 Rr Tire/Wheel Assy | 2 | 613-0001-00 | 10 | Lug Nuts |
| 1:1 | 148-0777 | 1 | Rim | 3 | 422-0035-00 | 2 | Rr Steel Wheel Silver Cntr Cap |
| 1:2 | 148-0776 | 1 | Tire | | | | |

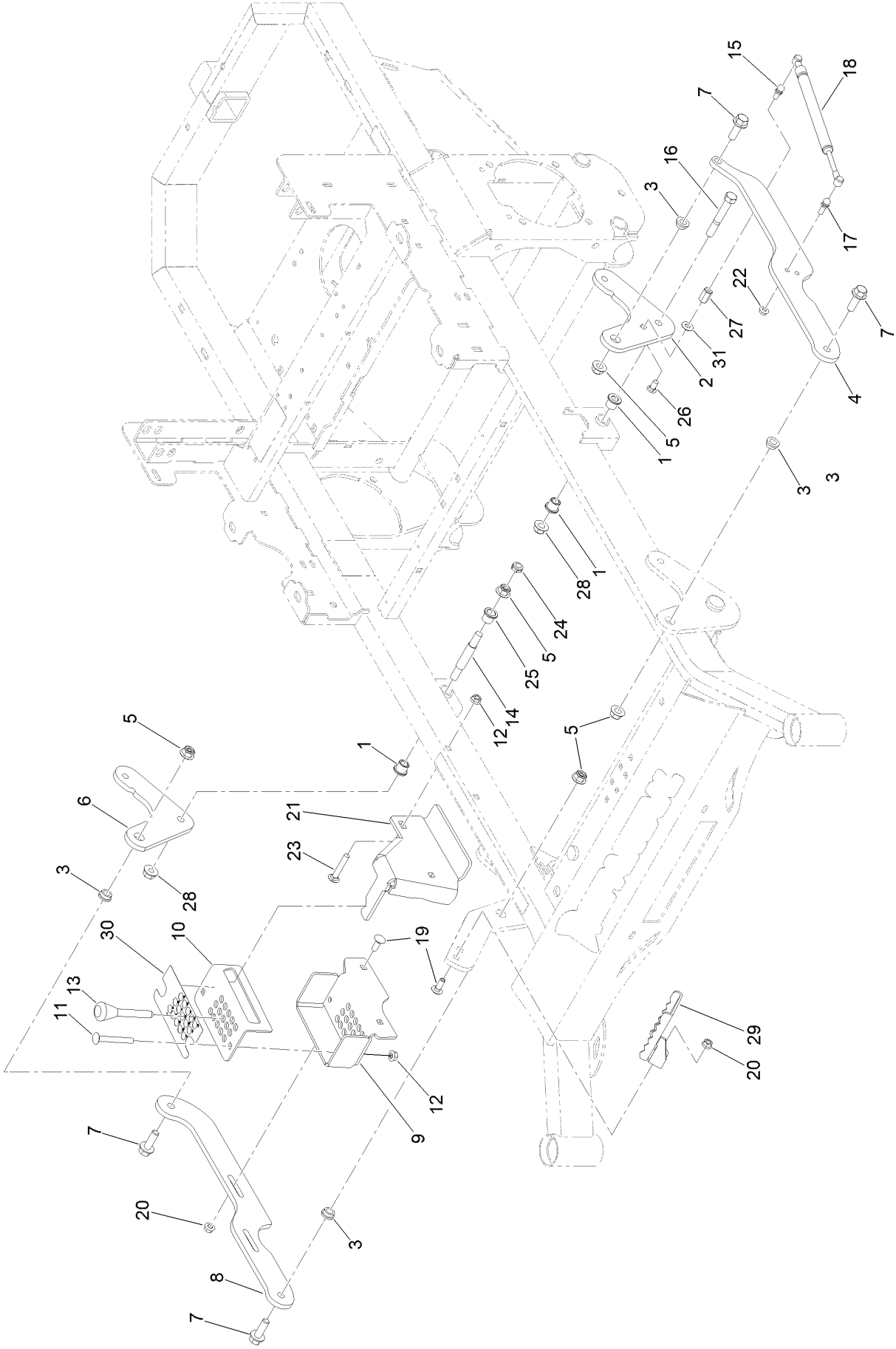
Electrical Assembly



Electrical Assembly (continued)

| <i>Ref.</i> | <i>Part Number</i> | <i>Qty.</i> | <i>Description</i> | <i>Ref.</i> | <i>Part Number</i> | <i>Qty.</i> | <i>Description</i> |
|-------------|--------------------|-------------|---------------------------------------|-------------|--------------------|-------------|---|
| 1 | 468-1004-00 | 1 | 12 Volt Start Battery 300CCA | 19 | 486-0070-00 | 1 | B&s 27HP/Kaw 726Cc Rt Pro Ttq Hrns |
| 2 | 418-0034-00 | 2 | 1/4-20 X 7 Carriage Bolt Zinc | 20 | 486-0065-00 | 1 | 2023 Mwr Key |
| 3 | 443-0001-00 | 1 | Battery Hold Down | 21 | 486-0064-00 | 1 | Mwr Keyswitch Jumper Harness |
| 4 | 515-0038 | 2 | Washer-Flat | 22 | 436-0002-00 | 2 | 3.15 Lgth Straight Insul Term Cover Red |
| 5 | 1-803038 | 2 | Wingnut | 23 | 436-0003-00 | 1 | Straight Insulating Terminal Cover |
| 6 | 486-0006-00 | 1 | Heavy Duty Start Solenoid | 24 | 2412-73 | 3 | Clamp-R |
| 7 | 486-0017-00 | 1 | Mwr Negative Cable 28 | 25 | 120-9551 | 5 | Screw-HWH |
| 8 | 486-0018-00 | 1 | Mwr Start Wire 12 | 26 | 418-0055-00 | 2 | 10-24 X 1/2 Socket C/S 18-8 SS |
| 9 | 677-2075-00 | 1 | 12 Volt Auxilliary Plug | 27 | 110-3145 | 2 | Nut-Lock |
| 10 | 486-0016-00 | 1 | Mwr Positive Battery Cable 25In | 28 | 486-0052-00 | 1 | Split Beam W/Non-Lightd Helmet Light Bar |
| 11 | 472-0001-00 | 1 | 1-1/4In Cushioned Loop Clamp Black | 29 | 148-0219-05 | 1 | Fair-Rite Bracket Painted |
| 12 | 321-4 | 2 | Screw-HH | 30 | 148-0191 | 1 | Fair-Rite Round Cable Snap-It Size B |
| 13 | 413-0012-00 | 3 | 1/4-20 Hex Flange Nut | 31 | 3290-379 | 18 | Tie-Cable |
| 14 | 3229-10 | 1 | Screw-CARR | 32 | 414-0001-00 | 3 | 6In (40 Lb) Cable Tie Nylon Uv |
| 15 | 486-0060-00 | 1 | PTO Switch | | | | |
| 16 | 486-0061-00 | 1 | Hour Meter | | | | |
| 17 | 486-0062-00 | 1 | Ignition Switch | | | | |
| 18 | 486-0063-00 | 1 | Interlock Module | | | | |

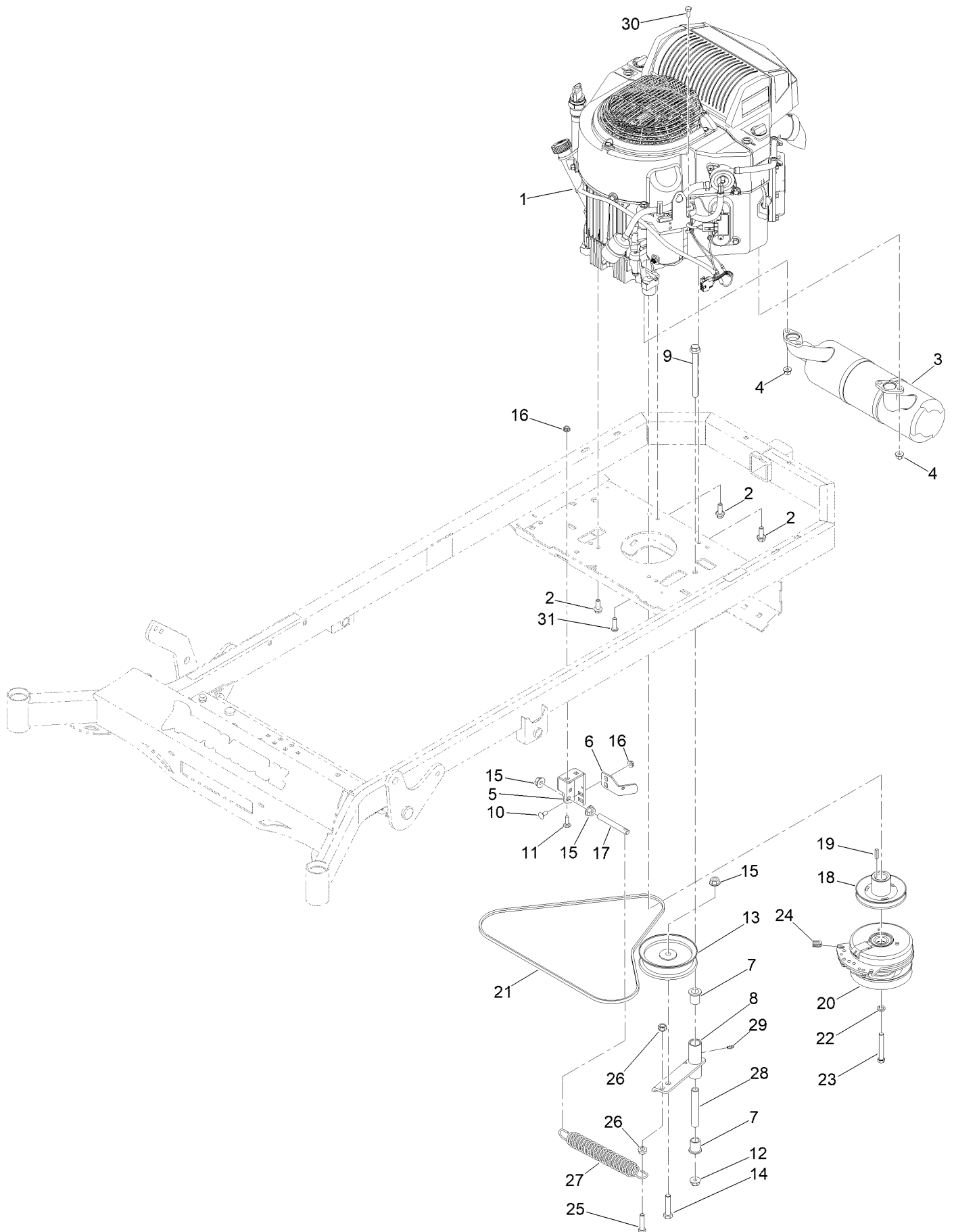
Decklift Assembly



Decklift Assembly (continued)

| <i>Ref.</i> | <i>Part Number</i> | <i>Qty.</i> | <i>Description</i> | <i>Ref.</i> | <i>Part Number</i> | <i>Qty.</i> | <i>Description</i> |
|-------------|--------------------|-------------|--|-------------|--------------------|-------------|--|
| 1 | 135-5694 | 3 | Bushing-Flange | 17 | 487-0008-00 | 1 | 5/16-18X1.286 Damper Ball Stud (.562 TI) |
| 2 | 148-0420-P11 | 1 | Arm-Decklift Rear (3/8") | 18 | 434-0001-00 | 1 | Deck Assist Gas Spring |
| 3 | 410-0009-00 | 4 | 1/2In ID X 3/4In OD X 3/8In Flange Bush | 19 | 418-0045-00 | 4 | 3/8-16 X 1 Carriage Bolt Yz GR.8 |
| 4 | 148-0416-P11 | 1 | Link-Decklift | 20 | 413-0020-00 | 4 | 3/8-16 Hex Flange Nut W/Serr Zinc Yellow |
| 5 | 413-1005-00 | 5 | 1/2-13 Hex Flange 2-Way Rev Cntr L/Nyz | 21 | 439-0752-00-P11 | 1 | 2022 Deck Lock Pin Tube Brkt |
| 6 | 148-0418-P11 | 1 | Arm-Decklift Rear (3/8") | 22 | 413-0022-00 | 1 | Nut-HF |
| 7 | 100-6116 | 4 | Screw-HHF | 23 | 618-2023-00 | 2 | Screw-CARR |
| 8 | 148-0251-P11 | 1 | 2024 Deck Height Arm Rt Link | 24 | 3296-45 | 1 | Nut-Hex |
| 9 | 148-0425-P11 | 1 | Bracket Pin System (Bottom) Painted Grey | 25 | 135-9063 | 1 | Bushing-Flange |
| 10 | 439-0753-00-P11 | 1 | 2022 Dhi Pin Arm Link Top Brkt | 26 | 618-2068-00 | 1 | 3/8 X 3/4In GR 8 CARR Bolt Zinc |
| 11 | 418-0095-05 | 2 | (3/8-16 X 3 Carriage Bolt (GR.5) Zc/Yel) | 27 | 148-0422 | 1 | Hex Coupling Nut - Reducer (3/8" To 5/16 |
| 12 | 413-0029-00 | 4 | Nut-Hex | 28 | 32128-49 | 2 | Nut-HHF |
| 13 | 420-0009-00 | 1 | Magnetic Pin For Stand On Mwr | 29 | 439-0059-00-P11 | 1 | Mwr Deck Height Foot Pedal Paint |
| 14 | 418-0276-00 | 1 | Rr Deck Height Bolt (Machined) | 30 | 148-0428 | 1 | Decal-Height Of Cut |
| 15 | 487-0005-00 | 1 | 5/16-18X1.286 Damper Ball Stud (.562 TI) | 31 | 619-8044-00 | 1 | 5/16In Uss Flat Washer (3/8 ID X 7/8 OD) |
| 16 | 418-0042-00 | 1 | 1/2-13 X 3-1/2 Hex C/S GR 5 Zinc Yellow | | | | |

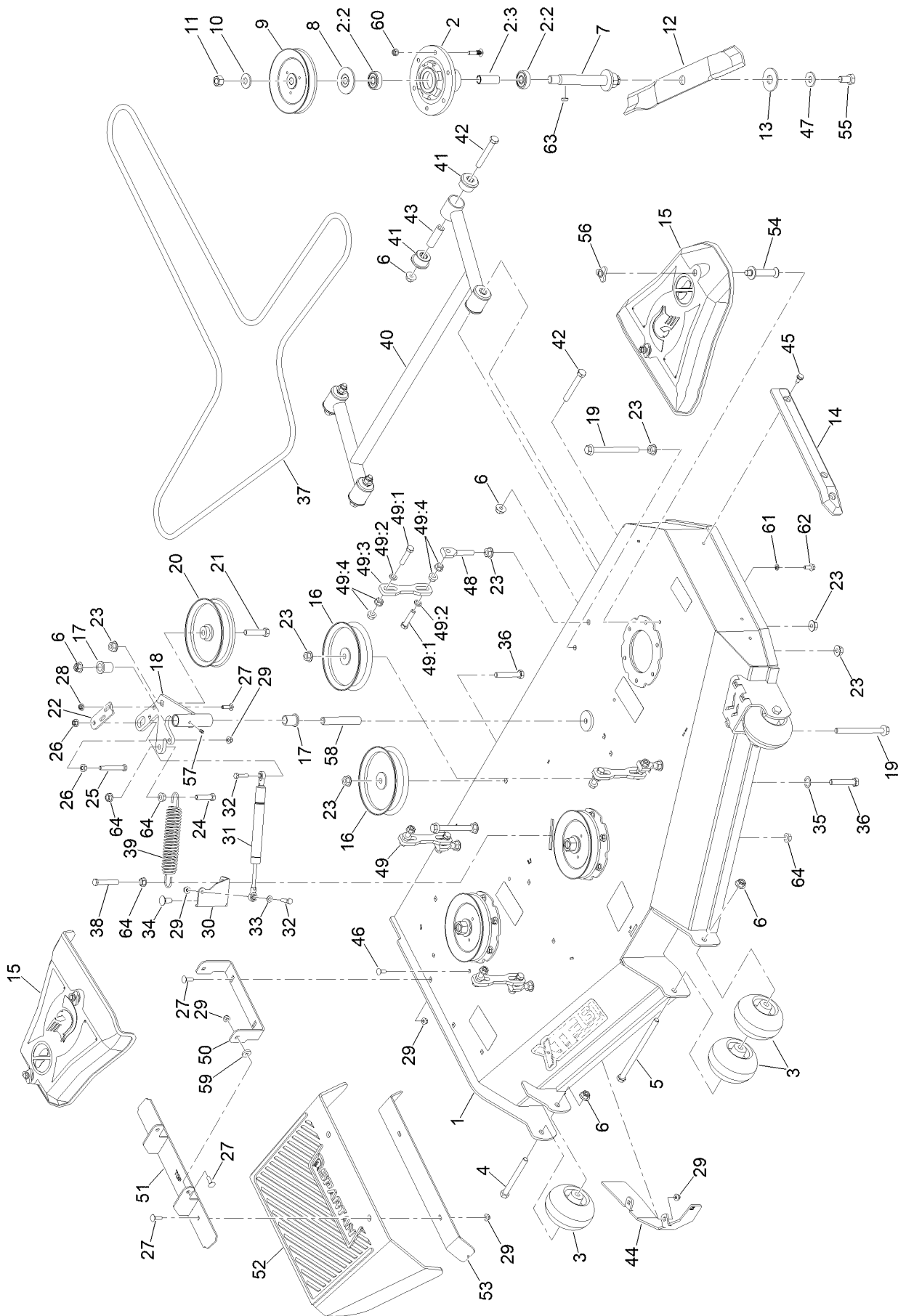
Engine Assembly



Engine Assembly (continued)

| <i>Ref.</i> | <i>Part Number</i> | <i>Qty.</i> | <i>Description</i> | <i>Ref.</i> | <i>Part Number</i> | <i>Qty.</i> | <i>Description</i> |
|-------------|--------------------|-------------|--|-------------|--------------------|-------------|--|
| 1 | 415-0024-00 | 1 | Kawasaki Ft730-Carb Engine | 16 | 413-0022-00 | 4 | Nut-HF |
| 2 | 418-0023-00 | 3 | 3/8-16 X 1-1/8 Ind HWH W/Serr Tri Lob Zy | 17 | 430-0001-00 | 1 | Mwr Pump Idler Spring Tensioner |
| 3 | 415-0074-00 | 1 | 2019 Exhaust Syst For Kawi Fr Fs And Ft | 18 | 433-0002-00 | 1 | Mwr Hydraulic Pump Drive Pulley (B-Belt) |
| 4 | 104-2612 | 4 | Nut-HF | 19 | 1-807259 | 1 | Key |
| 5 | 439-0244-00-P11 | 1 | Mwr Pump Idler Tensioning Brktpainted | 20 | 470-0002-00 | 1 | Warner PTO Clutch |
| 6 | 439-0910-00-P11 | 1 | Mower Clutch Anti Rotation Bracket Paint | 21 | 461-0022-00 | 1 | Ttq Rt Pump B-Belt (61.25") |
| 7 | 410-0007-00 | 2 | 3/4In ID X15/16In OD X 1-1/8In Flng Bush | 22 | 3253-6 | 1 | Washer-Lock |
| 8 | 490-0018-00-P11 | 1 | Mwr Pump Idler Assy Painted | 23 | 418-0022-00 | 1 | 7/16-20 X 3 Hex C/S GR 8 Zc Yellow |
| 9 | 418-0009-00 | 1 | 1/2-13 X 5-1/2 Hex Flange Bolt GR 8 Zy | 24 | 437-0025-00 | 1 | Mwr Clutch Rotation Stop Brkt Sleeve |
| 10 | 418-0008-00 | 2 | Bolt-CARR | 25 | 324-7 | 1 | Screw-HH |
| 11 | 418-0010-00 | 2 | Bolt-CARR | 26 | 32128-37 | 2 | Nut-HF |
| 12 | 413-0002-00 | 1 | Nut-Lock | 27 | 434-0007-00 | 1 | Mwr Deck Spring |
| 13 | 433-0013-00 | 1 | 5-3/4In Idler Pulley 7/16In Spacer Assy | 28 | 425-0006-00 | 1 | Mwr Inner Idler Spacer |
| 14 | 325-9 | 1 | Screw-HH | 29 | 424-0002-00 | 1 | 1/4In Drive Type Grease Fitting Yz |
| 15 | 32128-49 | 3 | Nut-HHF | 30 | 418-0278-00 | 1 | M8-1.25 X 20MM Hex Flange Bolt Zinc 10.9 |
| | | | | 31 | 418-0224-00 | 1 | 3/8-16 X 1-1/4 Pan Torx (Tri-Lob) Trs Zc |

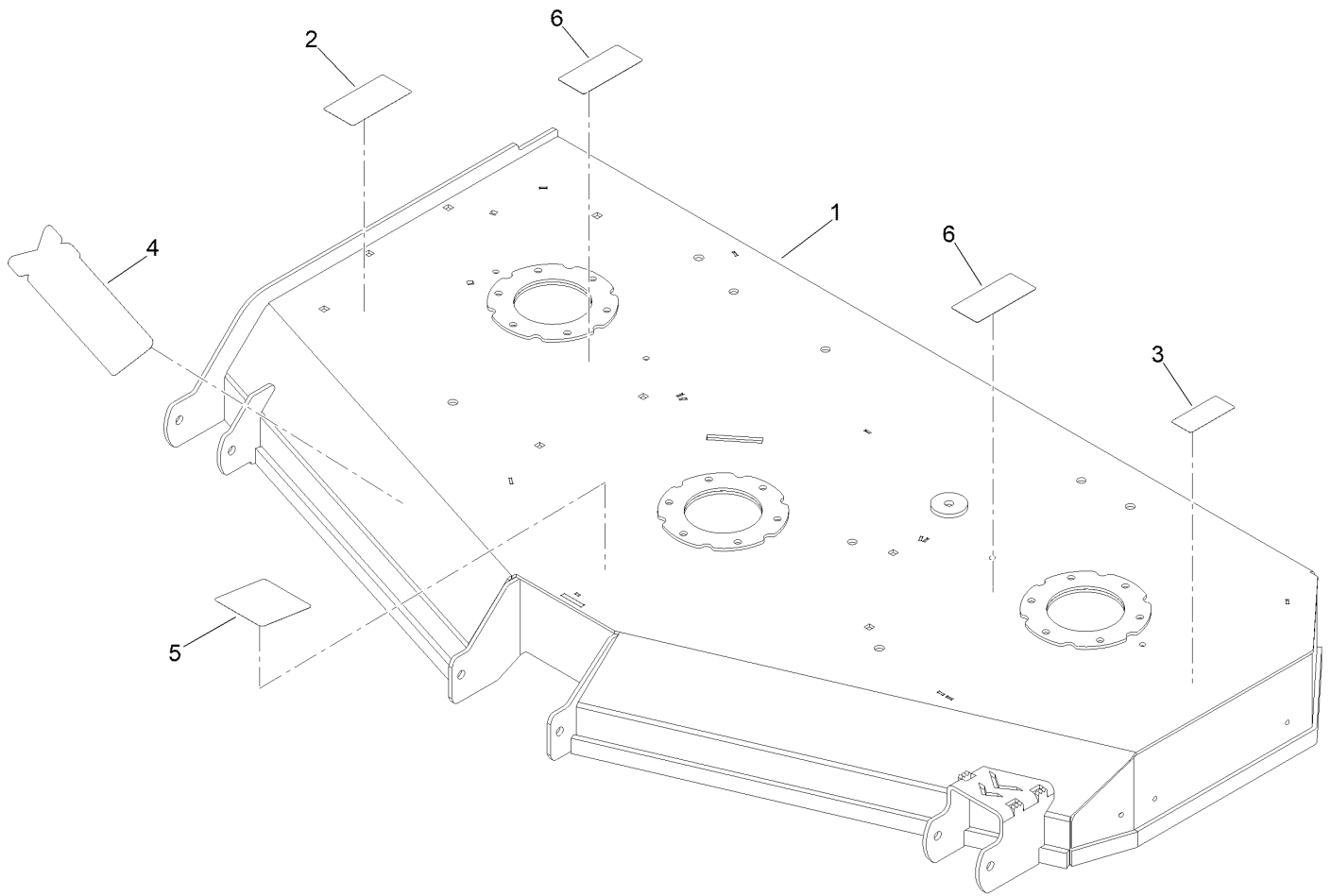
61 Inch Cutting Deck Assembly



61 Inch Cutting Deck Assembly (continued)

| <i>Ref.</i> | <i>Part Number</i> | <i>Qty.</i> | <i>Description</i> | <i>Ref.</i> | <i>Part Number</i> | <i>Qty.</i> | <i>Description</i> |
|-------------|--------------------|-------------|--|-------------|--------------------|-------------|--|
| 1 | 148-0787 | 1 | ASM-Deck W/Decals | 35 | 418-0110-00 | 1 | .767ldx1.125Odx.016 THK Trip Wv Washer |
| 2 | 148-0005 | 3 | Spindle ASM 6" Deck | 36 | 418-0246-00 | 2 | 1/2-13 X 2-3/4 Hex Flange Bolt (GR.8) Yz |
| 2:2 | 116-0720 | 2 | Bearing-Ball | 37 | 461-0002-00 | 1 | 61 Deck Belt |
| 2:3 | 148-0026 | 1 | Spacer, Bearing | 38 | 418-0013-00 | 1 | Bolt-HH |
| 3 | 422-0061-00 | 4 | Mwr Anti-Scalp Whl W/O Grease Fitting | 39 | 434-0007-00 | 1 | Mwr Deck Spring |
| 4 | 325-19 | 2 | Screw-HH | 40 | 490-0014-00-P11 | 1 | 54In/61In Deck Frame Stabilizer Painted |
| 5 | 418-0015-00 | 1 | 1/2-13 X 8-1/2 Hex C/S GR 2 Zinc Yellow | 41 | 732-2000-00 | 8 | Red A80 Susp Bushing |
| 6 | 413-0002-00 | 8 | Nut-Lock | 42 | 418-0021-00 | 4 | 1/2-13 X 3-3/4 Hex C/S (GR.5) Zc/Yel |
| 7 | 148-0106 | 3 | Shaft - Spindle | 43 | 732-2001-00 | 4 | UTV A-Arm Bushing Sleeve |
| 8 | 116-1286 | 3 | Guard,Bearing Top .989 | 44 | 148-0208-P11 | 1 | Baffle-Wiper |
| 9 | 148-0030 | 3 | Pulley | 45 | 9264964 | 3 | Screw-HWH, Thread Cut |
| 10 | 148-0113 | 3 | M20 Spring Washer (44.5Mmod/ 3.3MM THK) | 46 | 418-0008-00 | 2 | Bolt-CARR |
| 11 | 148-0111 | 3 | M20X1.5 C8.8 Hex Nut | 47 | 148-0114 | 3 | M16 Spring Washer (39Mmod/ 3.9MM THK) |
| 12 | 148-0099 | 3 | Blade-Rotary | 48 | 448-0001-00 | 4 | Mwr Deck Height Adjustment Stud |
| 13 | 148-0108 | 3 | Washer-Hex | 49 | 435-0007-KT | 4 | Mwr Deck Susp Link Assy |
| 14 | 429-0001-00 | 1 | Mwr Nylon Deck Guard | 49:1 | 435-0007-00-P11 | 1 | Mwr Deck Susp Link Paint |
| 15 | 148-0093 | 2 | Cover-Belt | 49:2 | 324-8 | 2 | Screw-HH |
| 16 | 433-0015-00 | 2 | 6-3/4In Idler Pulley 15/16In Spacer Assy | 49:3 | 419-0010-00 | 2 | .443 ID X .749 OD X .125 THK Nylon Black |
| 17 | 410-0007-00 | 2 | 3/4In ID X15/16In OD X 1-1/8In Flng Bush | 49:4 | 32128-37 | 4 | Nut-HF |
| 18 | 490-0019-00-P11 | 1 | Mwr Deck Idler Pulley Arm Assy Paint | 50 | 439-0111-00-P11 | 1 | Mwr Chute Mtg Brkt Painted |
| 19 | 418-0009-00 | 3 | 1/2-13 X 5-1/2 Hex Flange Bolt GR 8 Zy | 51 | 490-0056-00-P11 | 1 | Rt/Srt Deck Chute Hinge Assy Paint |
| 20 | 433-0014-00 | 1 | 6-3/4In Idler Pulley 7/16In Spacer ASM | 52 | 481-0011-00 | 1 | 2020 Rt/Srt Rubber Discharge Chute |
| 21 | 325-9 | 1 | Screw-HH | 53 | 439-0190-00-P11 | 1 | 2020 Deck Chute Hinge Backer Brkt Paint |
| 22 | 439-0257-00-P11 | 1 | Deck Idler Pulley Belt Retnr Brkt Paint | 54 | 148-0094 | 4 | Pin-Belt Cover |
| 23 | 32128-49 | 15 | Nut-HHF | 55 | 148-0109 | 3 | M16X1.5-30MM C10.9 Hex Bolt |
| 24 | 324-7 | 1 | Screw-HH | 56 | 148-0234 | 4 | Nut-Knob |
| 25 | 323-13 | 1 | Screw-HH | 57 | 424-0002-00 | 1 | 1/4In Drive Type Grease Fitting Yz |
| 26 | 413-0020-00 | 2 | 3/8-16 Hex Flange Nut W/Serr Zinc Yellow | 58 | 425-0006-00 | 1 | Mwr Inner Idler Spacer |
| 27 | 418-0060-00 | 8 | 5/16-18 X 1 Carriage Bolt GR 8 Yz | 59 | 419-0006-00 | 2 | .312 ID X .875OD X .1875 THK F/W NYL |
| 28 | 413-0022-00 | 2 | Nut-HF | 60 | 413-0029-00 | 18 | Nut-Hex |
| 29 | 413-0027-00 | 10 | Nut-HF, NI | 61 | 3253-4 | 4 | Washer-Lock |
| 30 | 439-0335-00-P11 | 1 | Deck Belt Idler Damper Mtg Brkt Painted | 62 | 116-7230 | 4 | Screw-HHF |
| 31 | 434-0009-00 | 1 | Idler Gas Spring | 63 | 148-0118 | 3 | 6MM X 6MM X 20MM Rounded Machine Key |
| 32 | 322-47 | 2 | Screw-HH | 64 | 32128-37 | 5 | Nut-HF |
| 33 | 413-0016-00 | 1 | .312ldx.625Odx.062 THK Thrust Brg Oi Brz | | | | |
| 34 | 3232-1 | 1 | Screw-CARR | | | | |

Deck Decal Assembly No. 148-0787

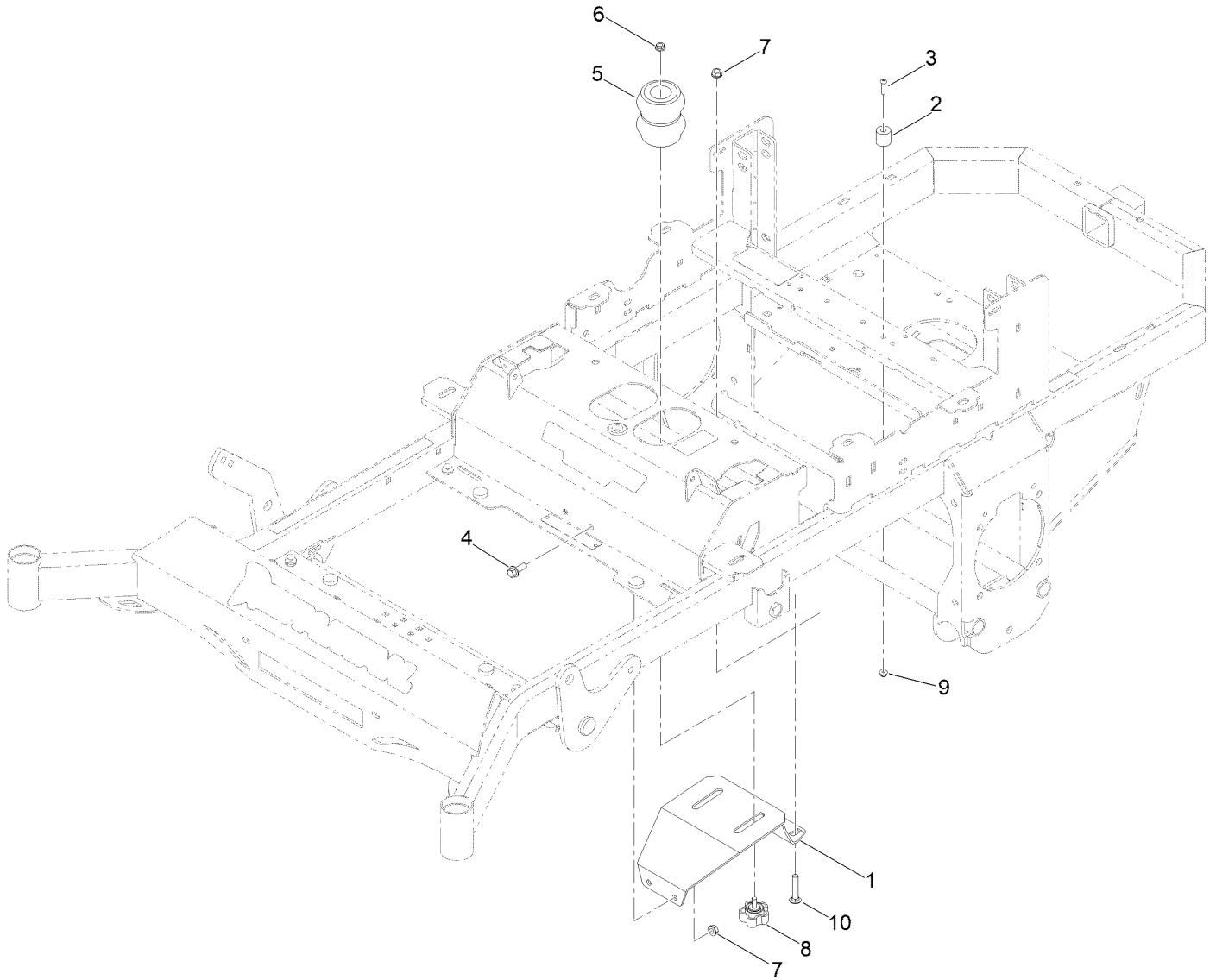


Deck Decal Assembly No. 148-0787 (continued)

| <i>Ref.</i> | <i>Part Number</i> | <i>Qty.</i> | <i>Description</i> | <i>Ref.</i> | <i>Part Number</i> | <i>Qty.</i> | <i>Description</i> |
|-------------|--------------------|-------------|-------------------------|-------------|--------------------|-------------|---------------------------|
| 1 | | 1 | Deck ASM-61 Painted ● | 4 | 132-0872 | 1 | Decal-Danger, Deck |
| 2 | 491-0131-00 | 1 | 2020 Xtf-61 Decal | 5 | 148-0430 | 1 | Decal-Safety Blade Torque |
| 3 | 148-0260 | 1 | Decal-Deck Belt Routing | 6 | 125-6127 | 2 | Decal-Rotating Fan Hazard |

● Not serviced separately

Seat Suspension Assembly



Seat Suspension Assembly (continued)

| <i>Ref.</i> | <i>Part Number</i> | <i>Qty.</i> | <i>Description</i> | <i>Ref.</i> | <i>Part Number</i> | <i>Qty.</i> | <i>Description</i> |
|-------------|--------------------|-------------|--|-------------|--------------------|-------------|---|
| 1 | 490-0021-00-P11 | 1 | Mwr Seat Susp Brkt (Srt) Painted | 6 | 413-0022-00 | 2 | Nut-HF |
| 2 | 729-1000-00 | 2 | Hood Rest Rubber Bumper | 7 | 413-0020-00 | 4 | 3/8-16 Hex Flange Nut W/Serr Zinc Yellow |
| 3 | 418-0039-00 | 2 | 1/4-20 X 1 Button Socket C/S 18-8 SS | 8 | 445-0006-00 | 2 | 5/16-18X3/4 SI 5-Lobe Male Knob 1.90 DIA |
| 4 | 131-2220 | 2 | Screw-HHF | 9 | 104-7201 | 2 | Nut-HF, NI |
| 5 | 487-0003-00 | 2 | Srt Rr Susp And Seat Ft Elastomer Tcb-3 | 10 | 3231-6 | 2 | Screw-CARR |

Notes:

Notes:

