



## SRT XDE 54in Mower

Model No. SSXDE54801KX

# Parts Catalog



# Ordering Replacement Parts

To order replacement parts, please supply the part number, the quantity, and the description of each part desired.

## Understanding Reference Numbers

Each identified part in an illustration has a reference number. The reference number for a part also appears in the parts list, along with other information about the part.

This catalog uses two special reference number formats, one to indicate parts in a service assembly and another to indicate the quantity of a given part in an illustration.

## Service Assembly Reference Numbers

Parts in service assemblies have reference numbers in the form a:b. The a represents the reference number of the entire service assembly and the b represents a sequential number unique to each part within the service assembly.

For example, a wheel assembly might be identified by reference number 6, the tire by 6:1, the valve by 6:2, and the wheel by 6:3. When you order the assembly identified by reference number 6, you receive all parts identified by reference numbers 6:1, 6:2, and 6:3. However, you may also order any part individually. Reference numbers of this type appear in illustration and in parts lists.

## Reference Numbers Indicating Quantity

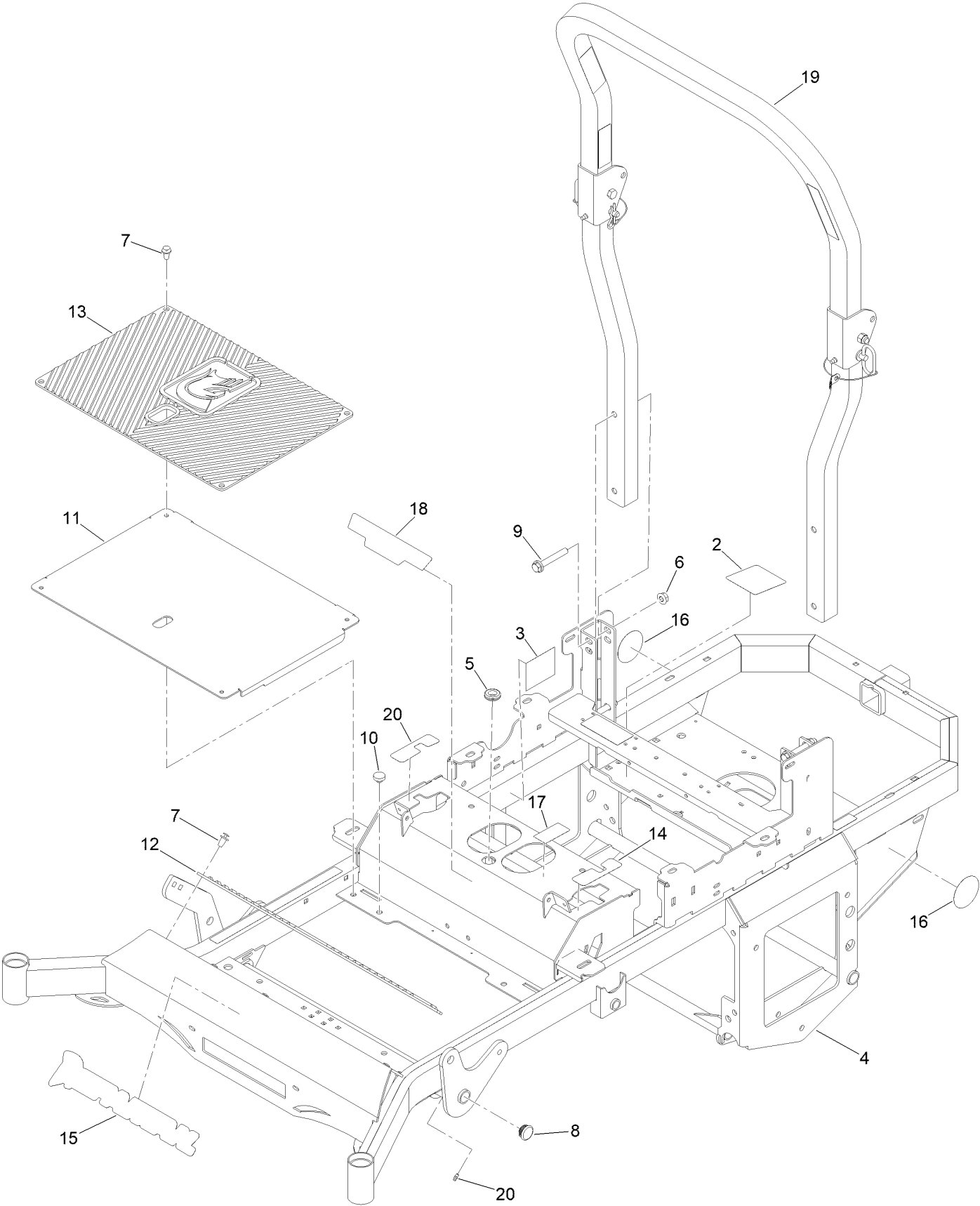
In an illustration, if a reference number indicates more than one part, the reference number has the form nX y. The n represents the quantity of the part, the X is the multiplication symbol, and the y represents the reference number.

For example, in an illustration, the reference number 2X 37 means that two of the parts identified by reference number 37 are indicated.

# Contents

Main Frame Assembly .....	4
Frame with Decals Assembly No.148-0445 .....	6
Transmission Assembly .....	8
Body Styling Assembly .....	10
Fuel Tank Assembly .....	12
Seat Assembly .....	14
Motion Control and Parking Brake Assembly .....	16
Caster Tire Assembly .....	18
Drive Wheel Assembly .....	20
Electrical Assembly .....	22
Decklift Assembly .....	24
Engine Assembly .....	26
54 Inch Cutting Deck Assembly .....	28
Deck Decal Assembly No. 148-0786 .....	30
Seat Suspension Assembly .....	32

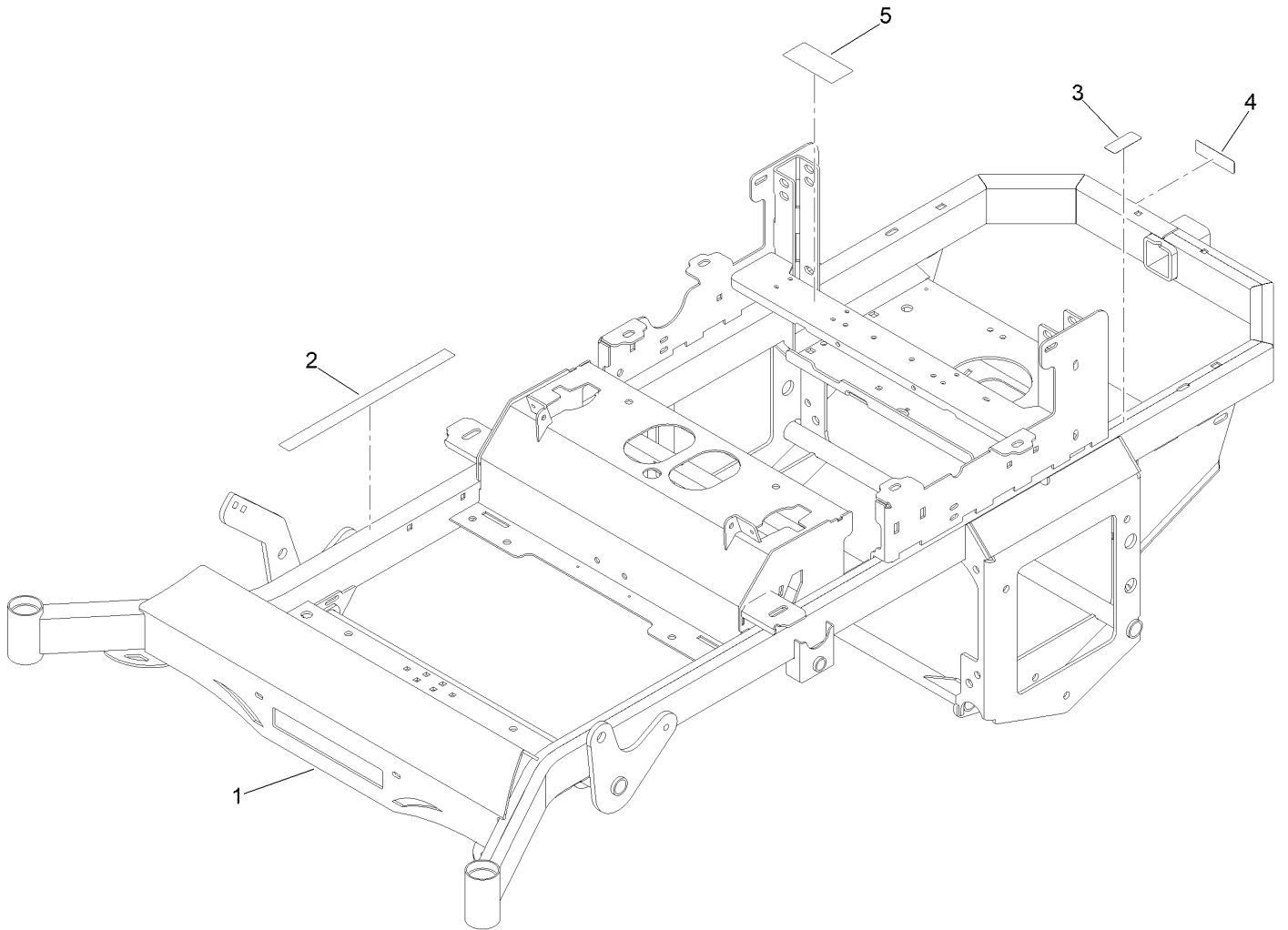
# Main Frame Assembly



## Main Frame Assembly (continued)

<i>Ref.</i>	<i>Part Number</i>	<i>Qty.</i>	<i>Description</i>	<i>Ref.</i>	<i>Part Number</i>	<i>Qty.</i>	<i>Description</i>
2	148-0260	1	Decal-Deck Belt Routing	11	439-0007-00-P11	1	Mwr Floorboard Paint
3	148-0426	1	Decal-E P A	12	481-0005-00	1	Mwr Rubber Foot Rest Mat
4	148-0445	1	Frame ASM W/ Decals	13	481-0006-00	1	Mwr Logo Floor Mat
5	240-6	1	Grommet-Rubber	14	148-0259	1	Decal-Motion Control
6	413-0014-00	4	1/2-13 Hex Stover Locknut GR C Zinc	15	148-0801	1	Decal-Spartan, Front
7	414-0002-00	10	8MM Push Type Retainer Nylon Black	16	491-0038-00	2	Mwr Parker Pump Decal
8	414-0015-00	2	1-1/4 In Round Tube Plug	17	148-0857	1	Decal-Weight, Seat
9	418-0019-00	4	Bolt-HF	18	491-0200-00	1	2022 Srt-Xde W/Gt Trac Decal
10	429-0002-00	4	Push-In Rubber Bumper Mwr Floor	19	497-0002-00	1	Mwr Fold Down ROPS
				20	624-1000-00	2	1/4 Drive Type Straight Grease Fitting Zc

# Frame with Decals Assembly No.148-0445

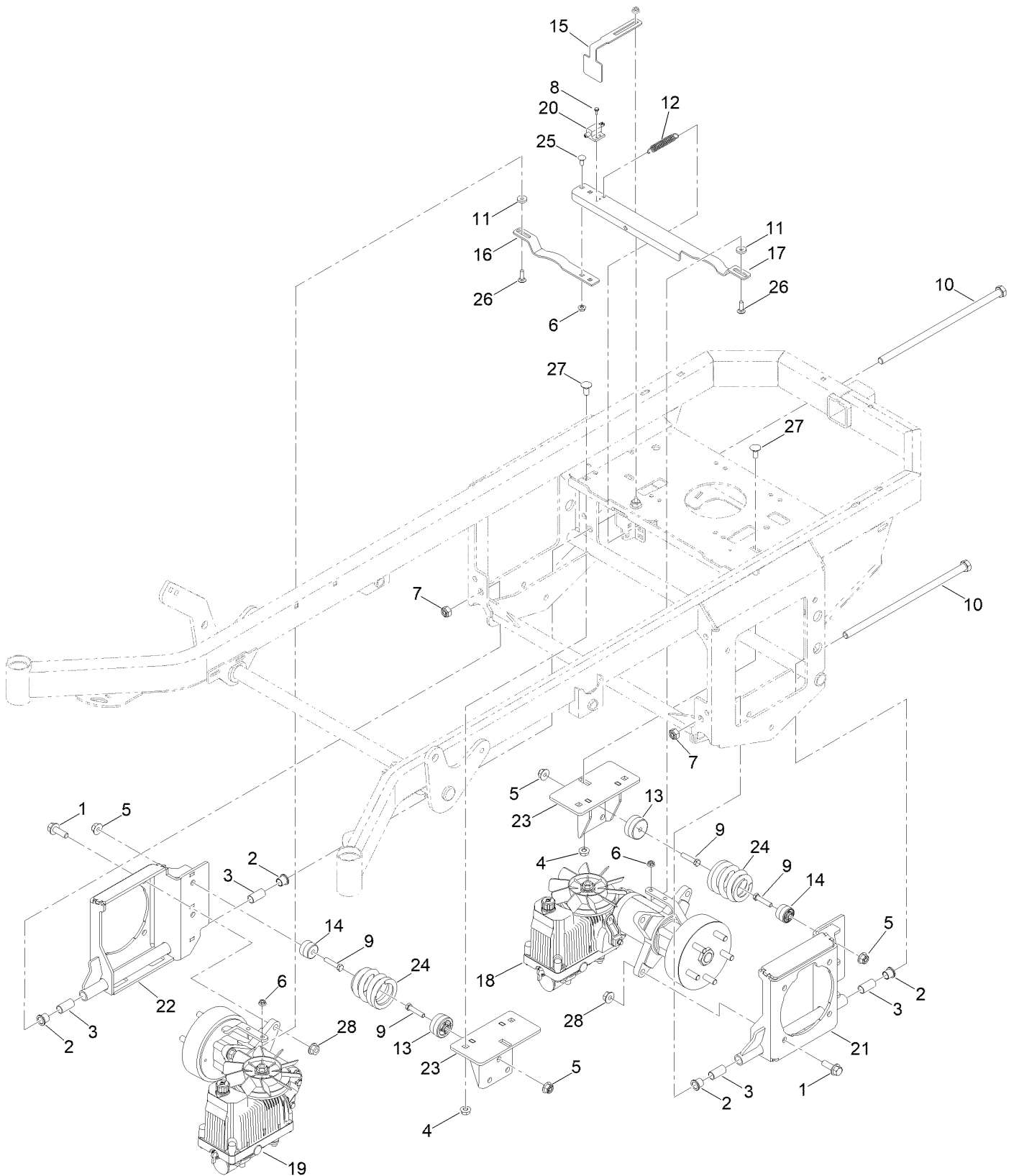


# Frame with Decals Assembly No.148-0445 (continued)

<i>Ref.</i>	<i>Part Number</i>	<i>Qty.</i>	<i>Description</i>	<i>Ref.</i>	<i>Part Number</i>	<i>Qty.</i>	<i>Description</i>
1		1	Frame ASM ●	4	147-7364	1	Decal-Hitch
2	142-7754	1	Decal-Warning	5	125-6127	1	Decal-Rotating Fan Hazard
3	127-0392	1	Decal-Hot Surface				

● Not serviced separately

# Transmission Assembly

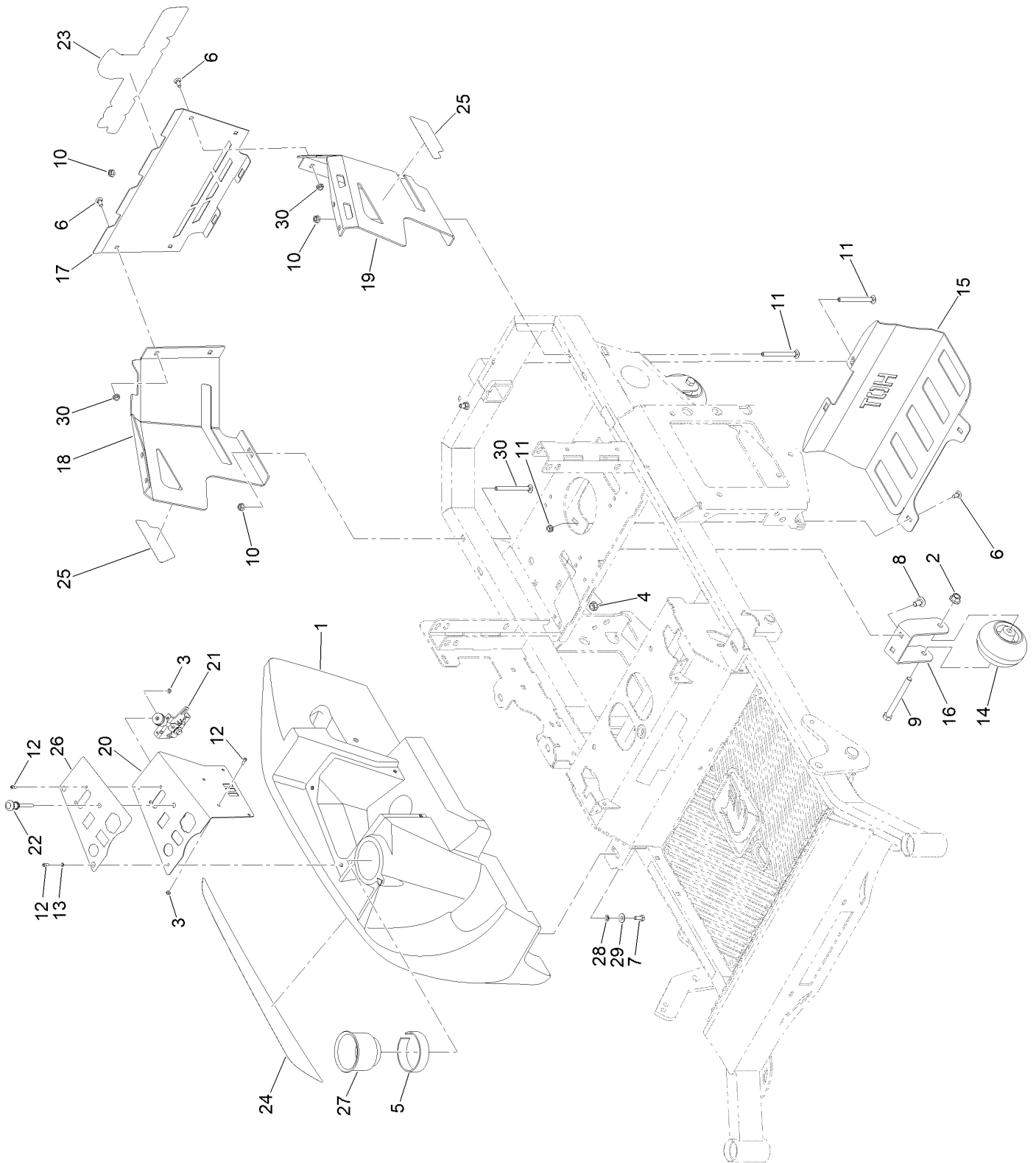




## Transmission Assembly (continued)

<i>Ref.</i>	<i>Part Number</i>	<i>Qty.</i>	<i>Description</i>	<i>Ref.</i>	<i>Part Number</i>	<i>Qty.</i>	<i>Description</i>
1	100-6116	8	Screw-HHF	14	434-0011-00	2	Susp Spring Outside Guide
2	135-9063	4	Bushing-Flange	15	439-0066-00-P11	1	Stand Trans Brake Interlock Brkt Paint
3	410-0019-00	4	.625 ID X .750 OD X 1.500In Oi Bushing	16	439-0606-00-P11	1	Mwr Park Brake Brkt Rt Paint
4	413-0001-00	6	7/16-14 Hex Flange Nut W/Serr Zinc	17	439-0607-00-P11	1	Mwr Park Brake Brkt Lt Paint
5	413-0013-00	4	3/8-16 Nylon Insert Flange L/Nut Yz	18	450-0005-00	1	Htj12 Parker Lt Side Hydrostatic Transm
6	413-0019-00	4	5/16-18 Nylon Insert Flange L/Nut Zc	19	450-0006-00	1	Htj12 Parker Rt Side Hydrostatic Transm
7	413-0050-00	2	5/8-11 Nylon Insert Flange L/Nut Zinc	20	486-0030-00	1	No Plunger Limit Switch
8	418-0032-00	2	8-32 X 1/2 Ind. HWH Slot Type F Tcs Zinc	21	490-0009-00-P11	1	Mwr Lt Rr Susp Assy-Srt-Pro HD
9	418-0051-00	4	3/8-16 X 1-3/4 Hex C/S GR 2 Zinc	22	490-0010-00-P11	1	Mwr Rt Rr Susp Assy-Srt-Pro HD Painted
10	418-0058-00	2	5/8-11 X 15In Hex C/S GR 2 Zc 3In Thd L	23	490-0069-00-P11	2	Mwr Susp Frame Brkt Assy Paint
11	419-0006-00	2	.312 ID X .875OD X .1875 THK F/W NYL	24	587-0002-00	2	Srt Rr Susp Spring
12	434-0003-00	1	Mwr Brake Pedal Release Spring	25	418-0008-00	2	Bolt-CARR
13	434-0010-00	2	Susp Spring Inside Guide	26	418-0010-00	2	Bolt-CARR
				27	3232-1	6	Screw-CARR
				28	32128-49	8	Nut-HHF

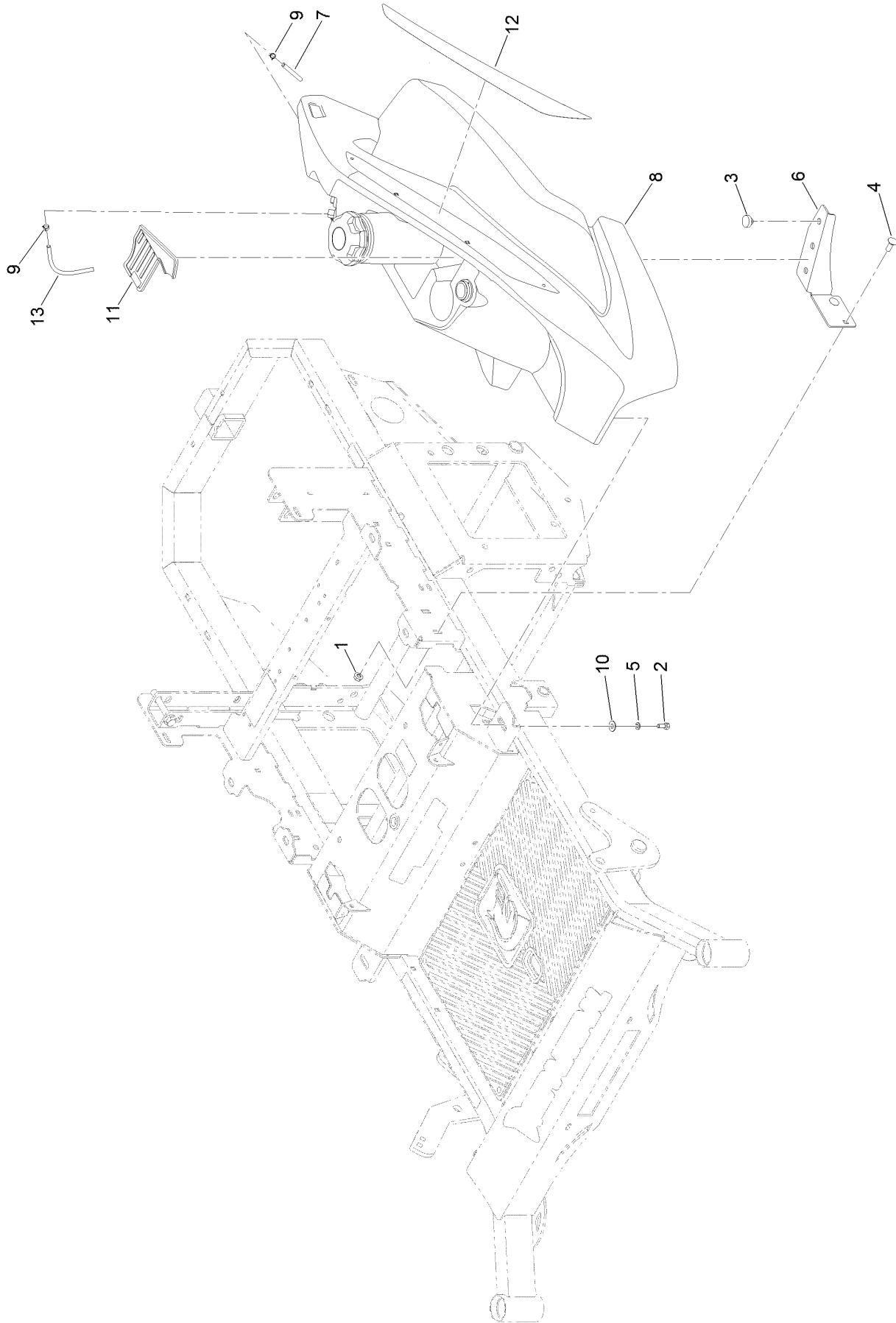
# Body Styling Assembly



## Body Styling Assembly (continued)

<i>Ref.</i>	<i>Part Number</i>	<i>Qty.</i>	<i>Description</i>	<i>Ref.</i>	<i>Part Number</i>	<i>Qty.</i>	<i>Description</i>
1	148-0307	1	Console W/ Cupholder	17	148-0896-P11	1	Plate - Engine Cowling
2	413-0002-00	2	Nut-Lock	18	439-0691-00-P11	1	2021 Rt/Srt Engn Cowling Rtpainted
3	110-3145	4	Nut-Lock	19	439-0692-00-P11	1	2021 Rt/Srt Engn Cowling Lt Painted
4	32128-37	4	Nut-HF	20	439-0895-00-P11	1	Control Panel Brkt Indiv Controls Paint
5	148-0770	1	Tape-Foam	21	464-0001-00	1	Mwr Throttle Cable Assy W / Handle
6	418-0008-00	6	Bolt-CARR	22	464-0002-00	1	Mwr Choke Cable Assm
7	418-0054-00	4	Screw-HH	23	491-0040-00	1	Mwr Rr Spartan Logo
8	3232-1	4	Screw-CARR	24	491-0081-00	1	Mwr Fuel Tank Logo Rt Side
9	325-19	2	Screw-HH	25	491-0216-00	2	Srt Xde Engn Cowling Decal
10	413-0029-00	4	Nut-Hex	26	491-0233-00	1	Rz-HD/Rt/Srt/Kgz-Xde Keyswtch Consl Decl
11	418-0018-00	4	3/8-16 X 4 Carriage Bolt Zinc	27	780-2220-00	1	Cup Holder
12	418-0055-00	8	10-24 X 1/2 Socket C/S 18-8 SS	28	3253-4	4	Washer-Lock
13	419-0011-00	4	#10 Split Lockwasher 18-8 SS	29	419-0007-00	4	Washer-Flat
14	422-0061-00	2	Mwr Anti-Scalp Whl W/O Grease Fitting	30	413-0022-00	6	Nut-HF
15	439-0006-00-P11	1	Mwr Muffler Guard Paint				
16	439-0138-00-P11	2	Mwr Stabilizer Mtg Brkt Paint				

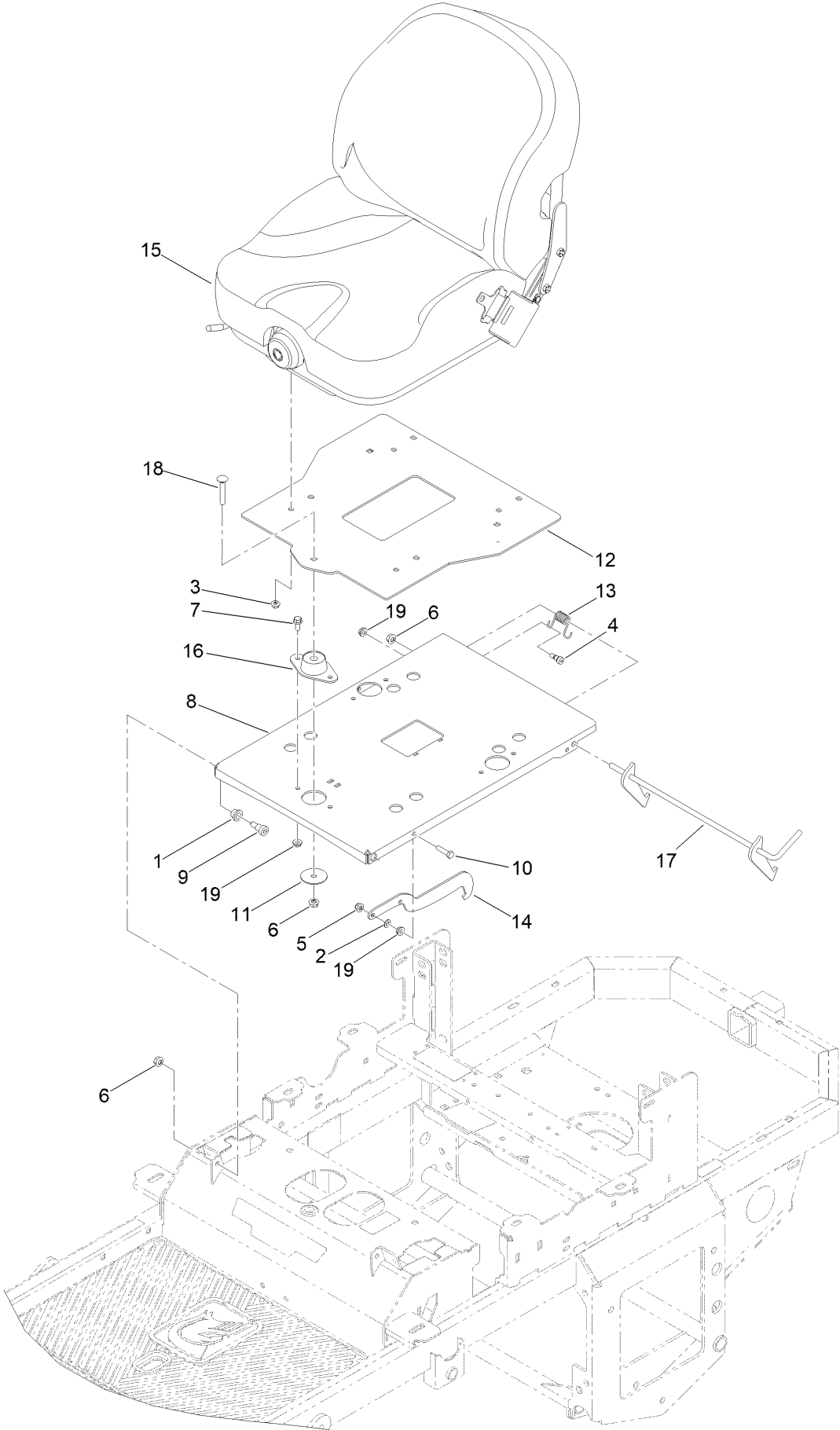
# Fuel Tank Assembly



## Fuel Tank Assembly (continued)

<i>Ref.</i>	<i>Part Number</i>	<i>Qty.</i>	<i>Description</i>	<i>Ref.</i>	<i>Part Number</i>	<i>Qty.</i>	<i>Description</i>
1	413-0020-00	2	3/8-16 Hex Flange Nut W/Serr Zinc Yellow	8	467-0001-00	1	Mwr Gasoline Fuel Tank Assy
2	418-0054-00	4	Screw-HH	9	472-0004-00	2	1/2In (#8) Hose Clamp
3	429-0002-00	1	Push-In Rubber Bumper Mwr Floor	10	419-0007-00	4	Washer-Flat
4	418-0045-00	2	3/8-16 X 1 Carriage Bolt Yz GR.8	11	481-0004-00	1	Rubber Tank Storage Compartment Insert
5	3253-4	4	Washer-Lock	12	148-0844	1	Decal-Tank
6	439-0448-00-P11	1	Rt/Srt Gas Tank Support Painted	13	751-1014-00	10	1/4In SAE J30R7 Bulk Hose 1Ft
7	451-0002-00	10	Mwr Fuel Tank Black 3/16In Vent Tube 1Ft				

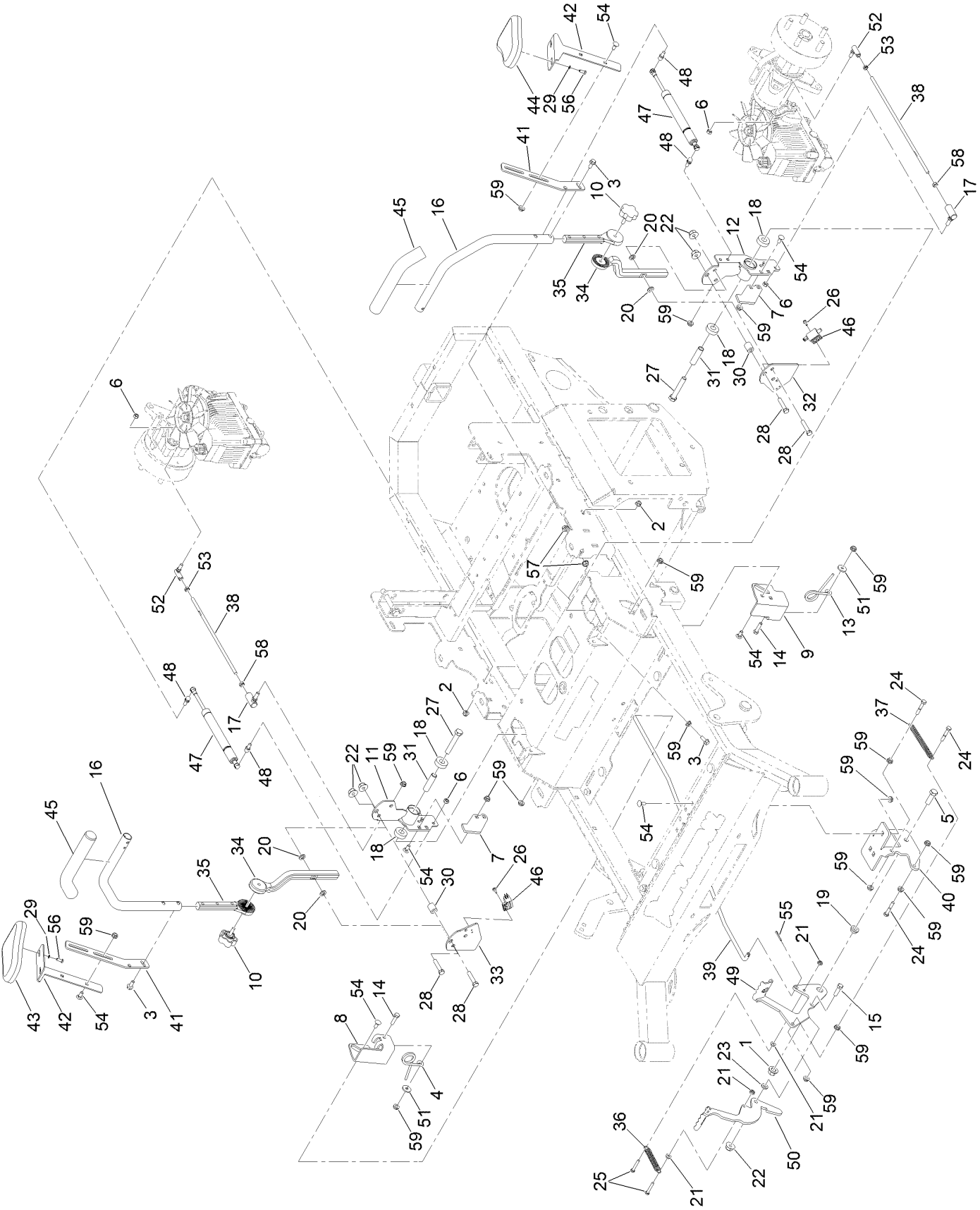
# Seat Assembly



## Seat Assembly (continued)

<i>Ref.</i>	<i>Part Number</i>	<i>Qty.</i>	<i>Description</i>	<i>Ref.</i>	<i>Part Number</i>	<i>Qty.</i>	<i>Description</i>
1	410-0010-00	2	1/2In ID X 5/8In OD X 1/2In Flange Bush	10	322-47	1	Screw-HH
2	413-0016-00	1	.312ldx.625Odx.062 THK Thrust Brg Oi Brz	11	419-0022-00	3	3/8 X 2In OD Fender Washer Yz
3	413-0019-00	4	5/16-18 Nylon Insert Flange L/Nut Zc	12	426-0231-00-P11	1	2019 Upgrade Seat Plate Paint
4	1-809056	1	Screw-HSH Shldr	13	434-0004-00	1	Mwr Seat Latch Spring
5	413-0027-00	1	Nut-HF, NI	14	439-0065-00-P11	1	Mwr Seat Latch Hook Paint
6	413-0029-00	6	Nut-Hex	15	471-0015-00	1	2019 Full Susp Seat
7	116-7230	6	Screw-HHF	16	487-0007-00	3	Floating Seat Damper-Stiffer
8	148-0290	1	ASM, Plate-Seat Base Upgrade W/ Decals	17	490-0011-61	1	Mwr Seat Latch Release Assy Abc
8	426-0232-00-P11	1	2019 Upgrade Seat Base Plate Paint	18	618-2023-00	3	3/8In-16 X 2-1/2In GR 8 Carriage
9	418-0038-00	2	1/2 X 1/2 Socket Shoulder Bolt Zc Yellow	19	413-0022-00	8	Nut-HF

# Motion Control and Parking Brake Assembly

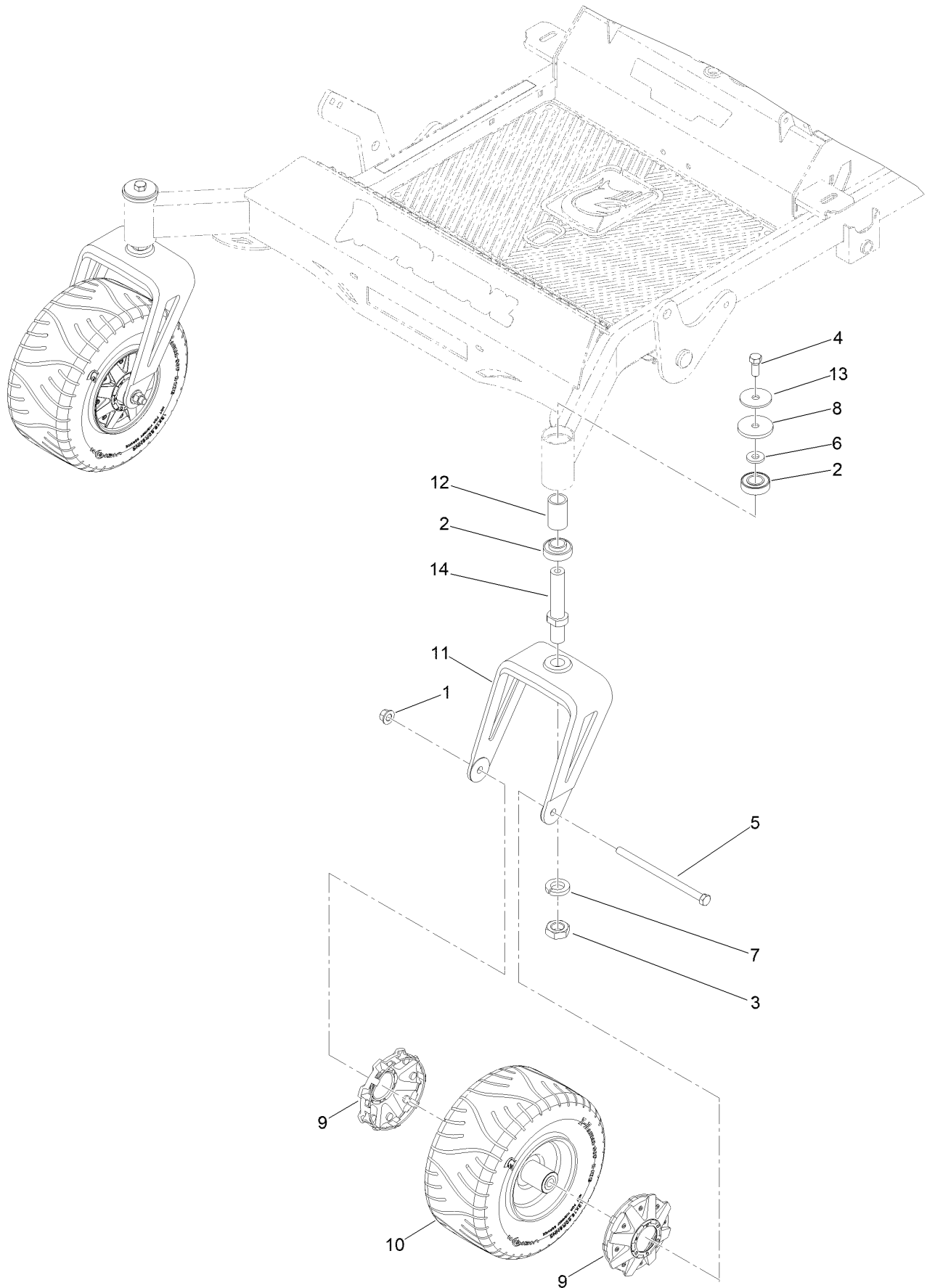




# Motion Control and Parking Brake Assembly (continued)

<i>Ref.</i>	<i>Part Number</i>	<i>Qty.</i>	<i>Description</i>	<i>Ref.</i>	<i>Part Number</i>	<i>Qty.</i>	<i>Description</i>
1	413-0002-00	1	Nut-Lock	31	425-0004-00	2	Mwr Drive Arm Hub / Deck Lift Arm Spacer
2	413-0027-00	2	Nut-HF, NI	32	426-0002-00-P11	1	Lt Control Arm Limit Switch Plate Paint
3	116-7230	6	Screw-HHF	33	426-0003-00-P11	1	Rt Control Arm Limit Switch Plate Paint
4	138-7539	1	Spring-Torsion	34	431-0002-00	2	Adjustable Lwr Drive Arm
5	139-2631	1	Screw-HH	35	431-0003-00	2	Adjustable Upp Drive Arm
6	148-0178	4	5/16-24 NYL INS L/N GR.8 Zc/Yel	36	434-0003-00	1	Mwr Brake Pedal Release Spring
7	148-0185-P11	2	Reverse Detent Kick Plate	37	434-0015-00	1	2020 Mwr Brake Pedal Tension Spring
8	148-0186-P11	1	Reverse Dentent Spring Base (RH)	38	435-0002-00	2	Trans Drive Arm Linkage Standard Trans
9	148-0187-P11	1	Reverse Dentent Spring Base (LH)	39	435-0004-00	1	Mwr Brake Linkage
10	148-0228	2	5/16-18 X 1 SI 5-Lobe Male ST Knob 1.90	40	439-0009-00-P11	1	Mwr Frame Brake Mtg Brkt Paint
11	148-0245-P11	1	Motion Control Brkt	41	439-0010-00-P11	2	Mwr Arm Pad Tube Mtg Brkt Painted
12	148-0246-P11	1	Motion Control Brkt	42	439-0011-00-P11	2	Mwr Arm Pad Mtg Brkt Painted
13	148-0262	1	Spring- Lt Reverse Detent	43	471-0028-00	1	2020 Mwr Drive Arm Support Pad Lt
14	322-47	2	Screw-HH	44	471-0029-00	1	2020 Mwr Drive Arm Support Pad Rt
15	323-7	1	Screw-HH	45	484-0001-00	2	Control Arm Handle Grip
16	403-0020-10-P11	2	Mower Drive Handle Tube Abc	46	486-0030-00	2	No Plunger Limit Switch
17	410-0002-00	2	Control Arm Rod End Lt	47	487-0001-00	2	Control Arm Damper
18	410-0005-00	4	5/8In ID X 1-3/8In OD X 7/16In THK Brg	48	487-0008-00	4	5/16-18X1.286 Damper Ball Stud (.562 TI)
19	410-0009-00	1	1/2In ID X 3/4In OD X 3/8In Flange Bush	49	490-0016-00-P11	1	Mwr Brake Lock Lever Assy Painted
20	410-0011-00	4	3/8 X 3/4 Bronze Washer	50	490-0017-00-P11	1	Mwr Brake Unlock Lever Assy Painted
21	413-0012-00	4	1/4-20 Hex Flange Nut	51	619-4004-00	2	Striker Post Fender Washer
22	413-0013-00	7	3/8-16 Nylon Insert Flange L/Nut Yz	52	2411-33	2	Balljoint-RH (W/Grommet)
23	413-0052-00	1	3/8 ID X 3/4 OD X .125 THK Bronze Washer	53	3220-20	2	Nut-Jam
24	418-0027-00	3	Bolt-HH	54	418-0008-00	15	Bolt-CARR
25	418-0029-00	2	1/4-20 X 1-1/4 Hex C/S GR 2 Zinc	55	3272-11	1	Pin-Cotter
26	418-0032-00	4	8-32 X 1/2 Ind. HWH Slot Type F Tcs Zinc	56	3274-31	4	Screw-HSBH
27	418-0050-00	2	1/2-13 X 3 Hex C/S GR 5 Zinc W/Loctite	57	413-0020-00	2	3/8-16 Hex Flange Nut W/Serr Zinc Yellow
28	418-0051-00	6	3/8-16 X 1-3/4 Hex C/S GR 2 Zinc	58	09207	2	Nut
29	419-0012-00	4	1/4 EXT Tooth Lockwasher Zinc	59	413-0022-00	27	Nut-HF
30	425-0003-00	4	Mwr Drive Arm Spacer				

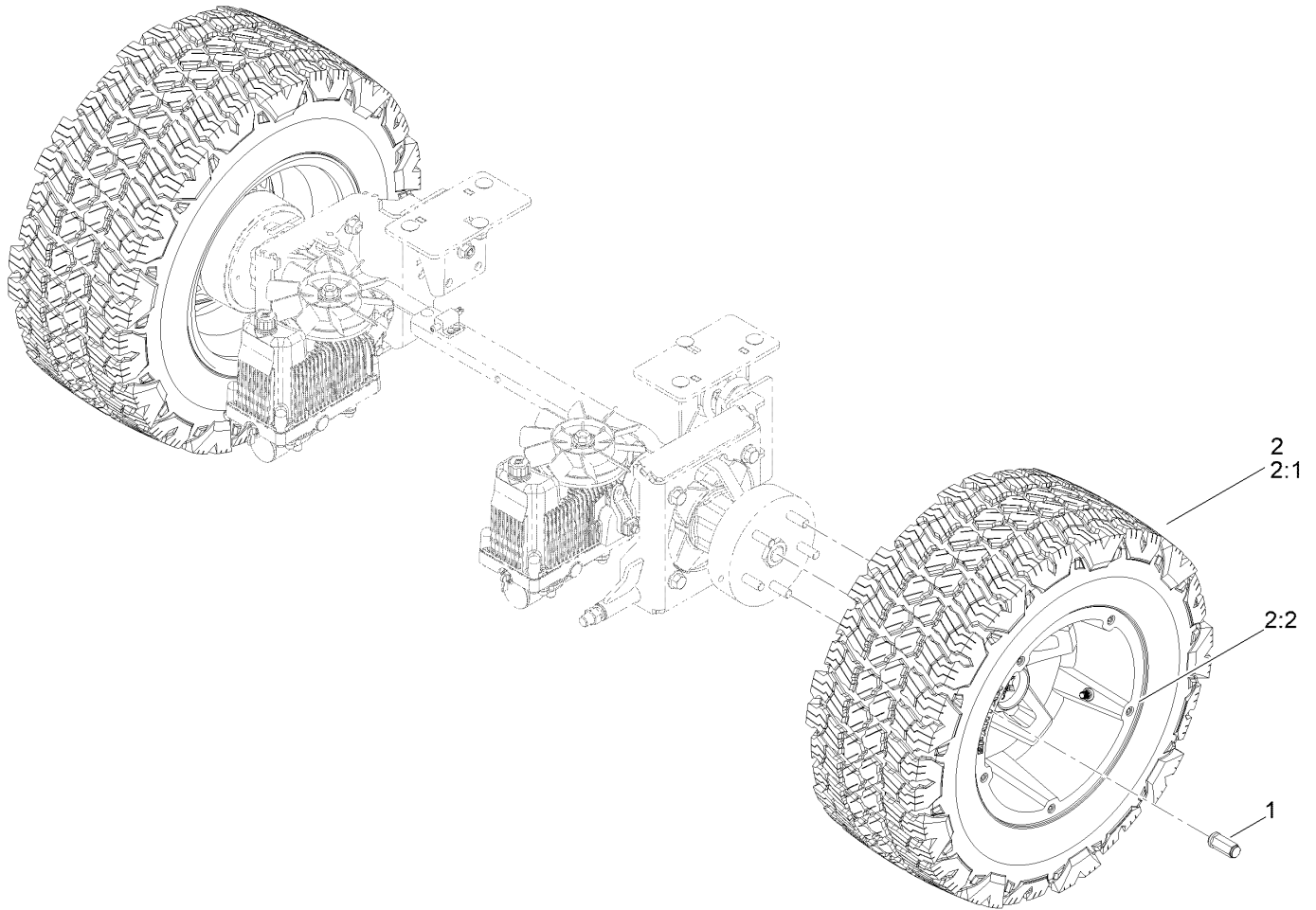
# Caster Tire Assembly



## Caster Tire Assembly (continued)

<i>Ref.</i>	<i>Part Number</i>	<i>Qty.</i>	<i>Description</i>	<i>Ref.</i>	<i>Part Number</i>	<i>Qty.</i>	<i>Description</i>
1	413-0002-00	2	Nut-Lock	9	422-0024-00	4	Mwr Ft Wheel Hub Cap
2	103-3540	4	Bearing-Ball	10	422-0042-00	2	Spartan Radial Ft Tire And Wheel Assm
3	413-0063-00	2	Nut-Hex	11	423-0001-00-P11	2	Rt And Srt Caster Wheel Fork
4	418-0002-00	2	1/2-20 X 1-1/4 Hex Flange Bolt GR 8 Yz	12	425-0011-00	2	Caster Fork Shaft Bearing Spacer
5	325-24	2	Screw-HH	13	426-0006-00-P11	2	Mwr Caster Shaft Washer
6	419-0003-00	2	1/2 Fender Washer 1-1/4In OD Zinc	14	437-0019-00	2	Mwr Caster Shaft
7	419-0024-00	2	1In L/W Med Split Zc				
8	419-0025-00	2	Ft Hub Plastic Washer				

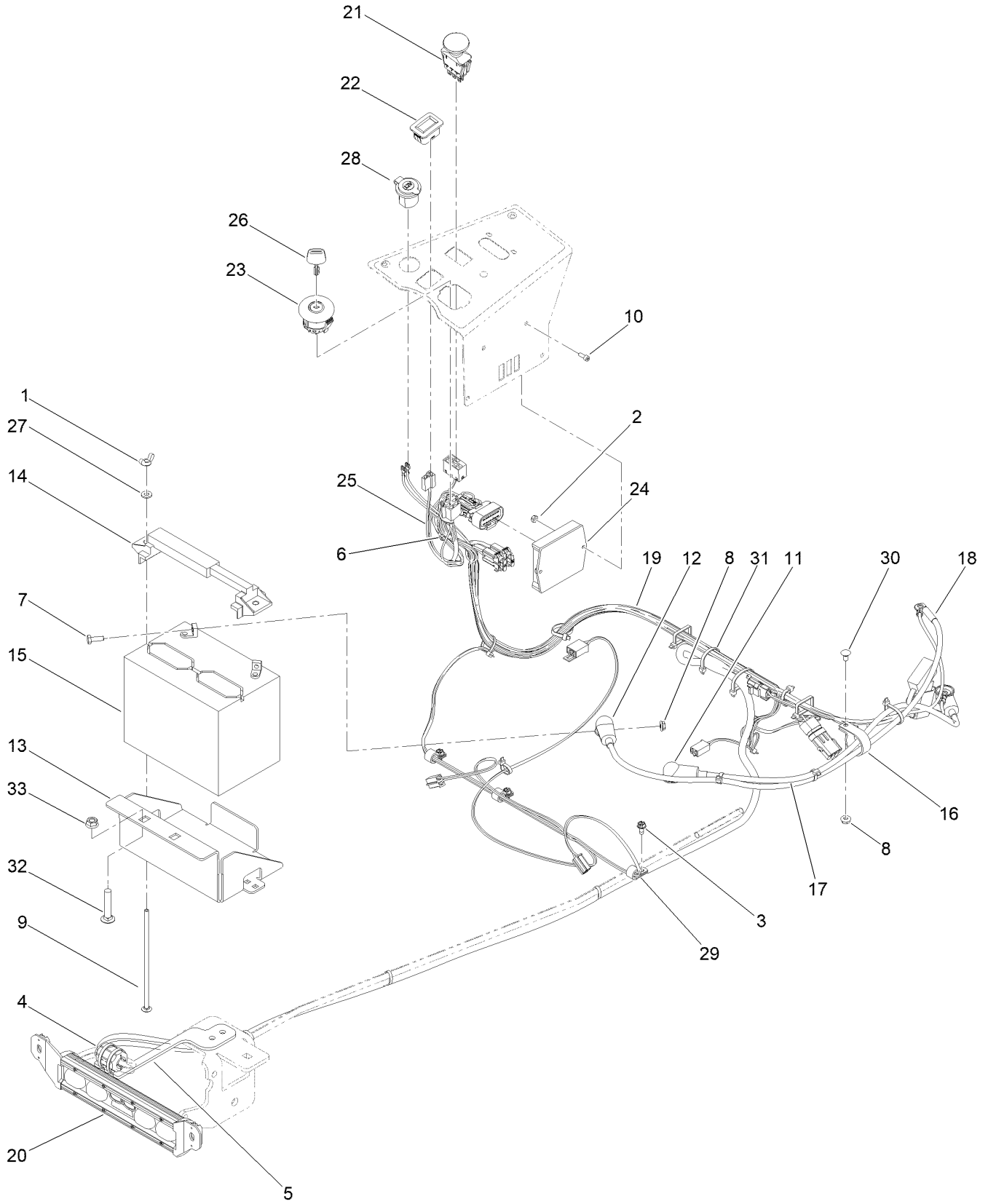
# Drive Wheel Assembly



## Drive Wheel Assembly (continued)

<i>Ref.</i>	<i>Part Number</i>	<i>Qty.</i>	<i>Description</i>	<i>Ref.</i>	<i>Part Number</i>	<i>Qty.</i>	<i>Description</i>
1	613-0001-00	10	Lug Nuts	2:1	422-0007-00	1	12 X 8.5 416 Style Wheel Only
2	422-0010-00	2	Al Whl Upgrd (416 Wheel W/ 24X10.50-R12)	2:2	422-0029-00	1	Mwr 24 X 10.5-12 Radial Tire

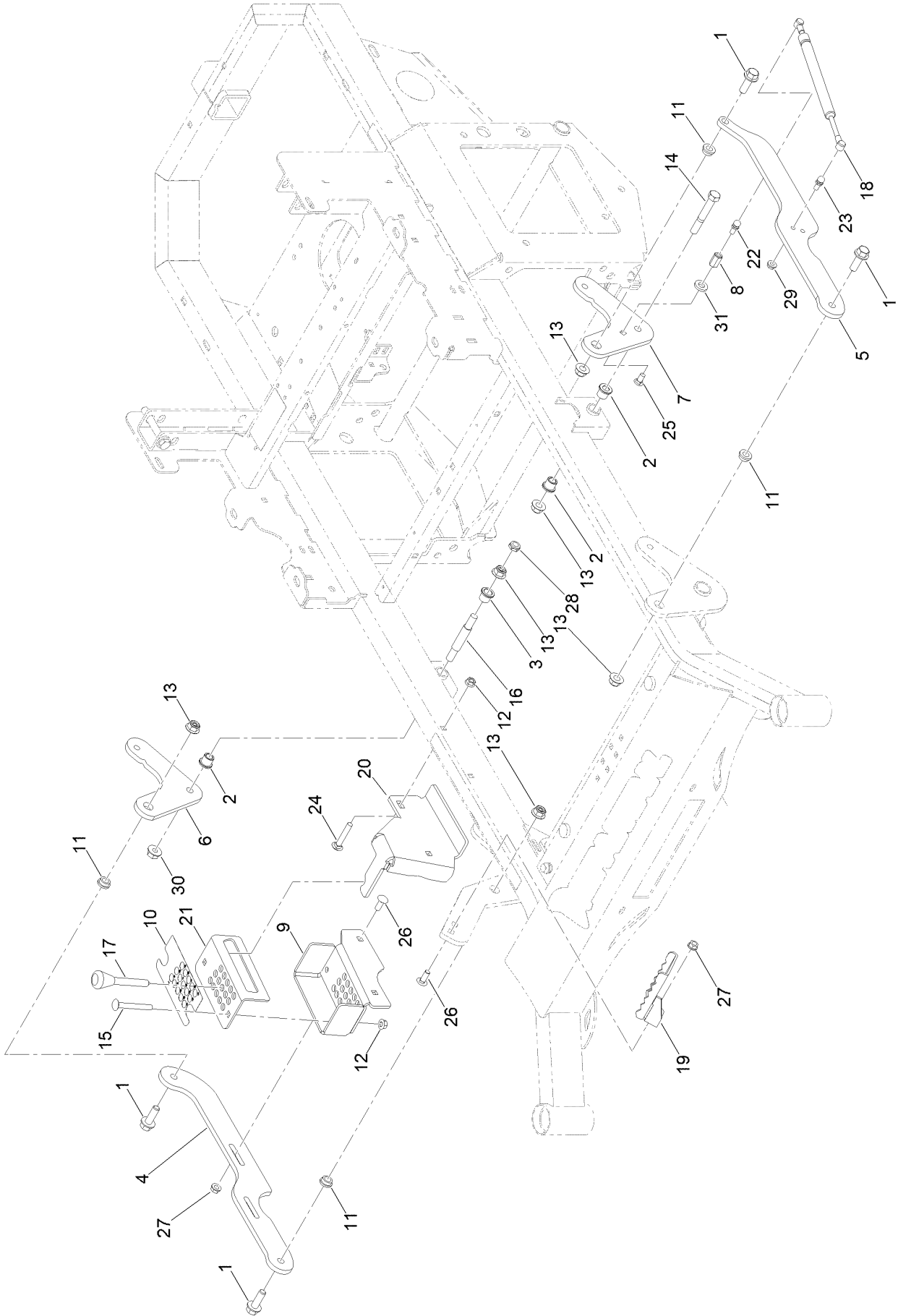
# Electrical Assembly



## Electrical Assembly (continued)

<i>Ref.</i>	<i>Part Number</i>	<i>Qty.</i>	<i>Description</i>	<i>Ref.</i>	<i>Part Number</i>	<i>Qty.</i>	<i>Description</i>
1	1-803038	2	Wingnut	17	486-0016-00	1	Mwr Positive Battery Cable 25In
2	110-3145	2	Nut-Lock	18	486-0017-00	1	Mwr Negative Cable 28
3	120-9551	3	Screw-HWH	19	486-0040-00	1	Harnessvanguard 26HP + Kawi 852Cc/999Cc
4	148-0191	1	Fair-Rite Round Cable Snap-It Size B	20	486-0042-00	1	Full Beam With Lighted Helmet Light Bar
5	148-0219-05	1	Fair-Rite Bracket Painted	21	486-0060-00	1	PTO Switch
6	414-0001-00	3	6In (40 Lb) Cable Tie Nylon Uv	22	486-0061-00	1	Hour Meter
7	321-4	2	Screw-HH	23	486-0062-00	1	Ignition Switch
8	413-0012-00	3	1/4-20 Hex Flange Nut	24	486-0063-00	1	Interlock Module
9	418-0034-00	2	1/4-20 X 7 Carriage Bolt Zinc	25	486-0064-00	1	Mwr Keyswitch Jumper Harness
10	418-0055-00	2	10-24 X 1/2 Socket C/S 18-8 SS	26	486-0065-00	1	2023 Mwr Key
11	436-0002-00	2	3.15 Lgth Straight Insul Term Cover Red	27	515-0038	2	Washer-Flat
12	436-0003-00	1	Straight Insulating Terminal Cover	28	677-2075-00	1	12 Volt Auxilliary Plug
13	439-0008-00-P11	1	Mwr Battery Box	29	2412-73	3	Clamp-R
14	443-0001-00	1	Battery Hold Down	30	3229-10	1	Screw-CARR
15	468-1004-00	1	12 Volt Start Battery 300CCA	31	3290-379	18	Tie-Cable
16	472-0001-00	1	1-1/4In Cushioned Loop Clamp Black	32	3231-6	2	Screw-CARR
				33	413-0020-00	2	3/8-16 Hex Flange Nut W/Serr Zinc Yellow

# Decklift Assembly

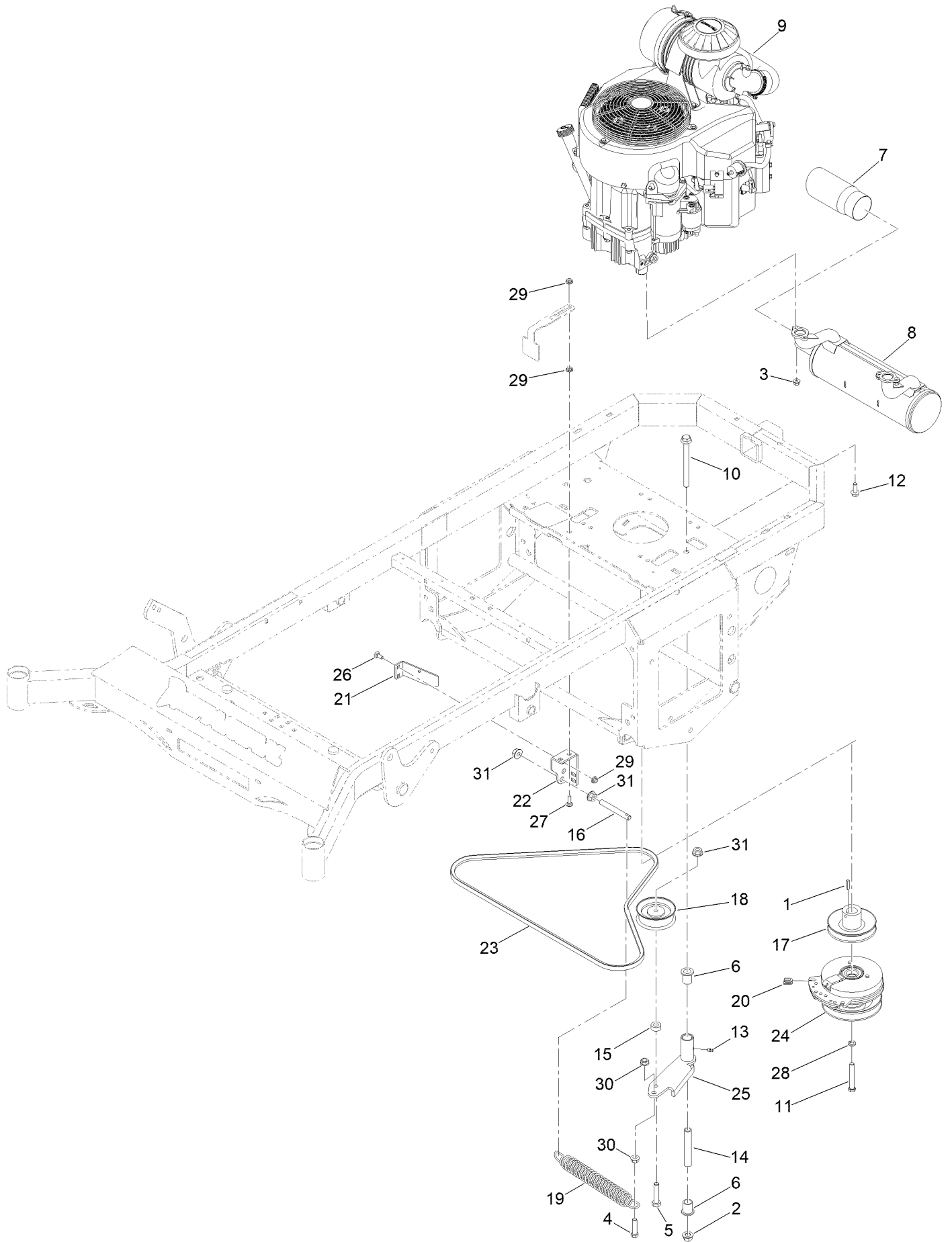




## Decklift Assembly (continued)

<i>Ref.</i>	<i>Part Number</i>	<i>Qty.</i>	<i>Description</i>	<i>Ref.</i>	<i>Part Number</i>	<i>Qty.</i>	<i>Description</i>
1	100-6116	4	Screw-HHF	18	434-0001-00	1	Deck Assist Gas Spring
2	135-5694	3	Bushing-Flange	19	439-0059-00-P11	1	Mwr Deck Height Foot Pedal Paint
3	135-9063	1	Bushing-Flange	20	439-0752-00-P11	1	2022 Deck Lock Pin Tube Brkt
4	148-0251-P11	1	2024 Deck Height Arm Rt Link	21	439-0753-00-P11	1	2022 Dhi Pin Arm Link Top Brkt
5	148-0416-P11	1	Link-Decklift	22	487-0005-00	1	5/16-18X1.286 Damper Ball Stud (.562 TI)
6	148-0418-P11	1	Arm-Decklift Rear (3/8")	23	487-0008-00	1	5/16-18X1.286 Damper Ball Stud (.562 TI)
7	148-0420-P11	1	Arm-Decklift Rear (3/8")	24	618-2023-00	2	3/8In-16 X 2-1/2In GR 8 Carriage
8	148-0422	1	Hex Coupling Nut - Reducer (3/8" To 5/16)	25	618-2068-00	1	3/8 X 3/4In GR 8 CARR Bolt Zinc
9	148-0425-P11	1	Bracket Pin System (Bottom) Painted Grey	26	418-0045-00	4	3/8-16 X 1 Carriage Bolt Yz GR.8
10	148-0428	1	Decal-Height Of Cut	27	413-0020-00	4	3/8-16 Hex Flange Nut W/Serr Zinc Yellow
11	410-0009-00	4	1/2In ID X 3/4In OD X 3/8In Flange Bush	28	3296-45	1	Nut-Hex
12	413-0029-00	4	Nut-Hex	29	413-0022-00	1	Nut-HF
13	413-1005-00	6	1/2-13 Hex Flange 2-Way Rev Cntr L/Nyz	30	32128-49	1	Nut-HHF
14	418-0042-00	1	1/2-13 X 3-1/2 Hex C/S GR 5 Zinc Yellow	31	619-8044-00	1	5/16In Uss Flat Washer (3/8 ID X 7/8 OD)
15	418-0095-05	2	(3/8-16 X 3 Carriage Bolt (GR.5) Zc/Yel)				
16	418-0276-00	1	Rr Deck Height Bolt (Machined)				
17	420-0009-00	1	Magnetic Pin For Stand On Mwr				

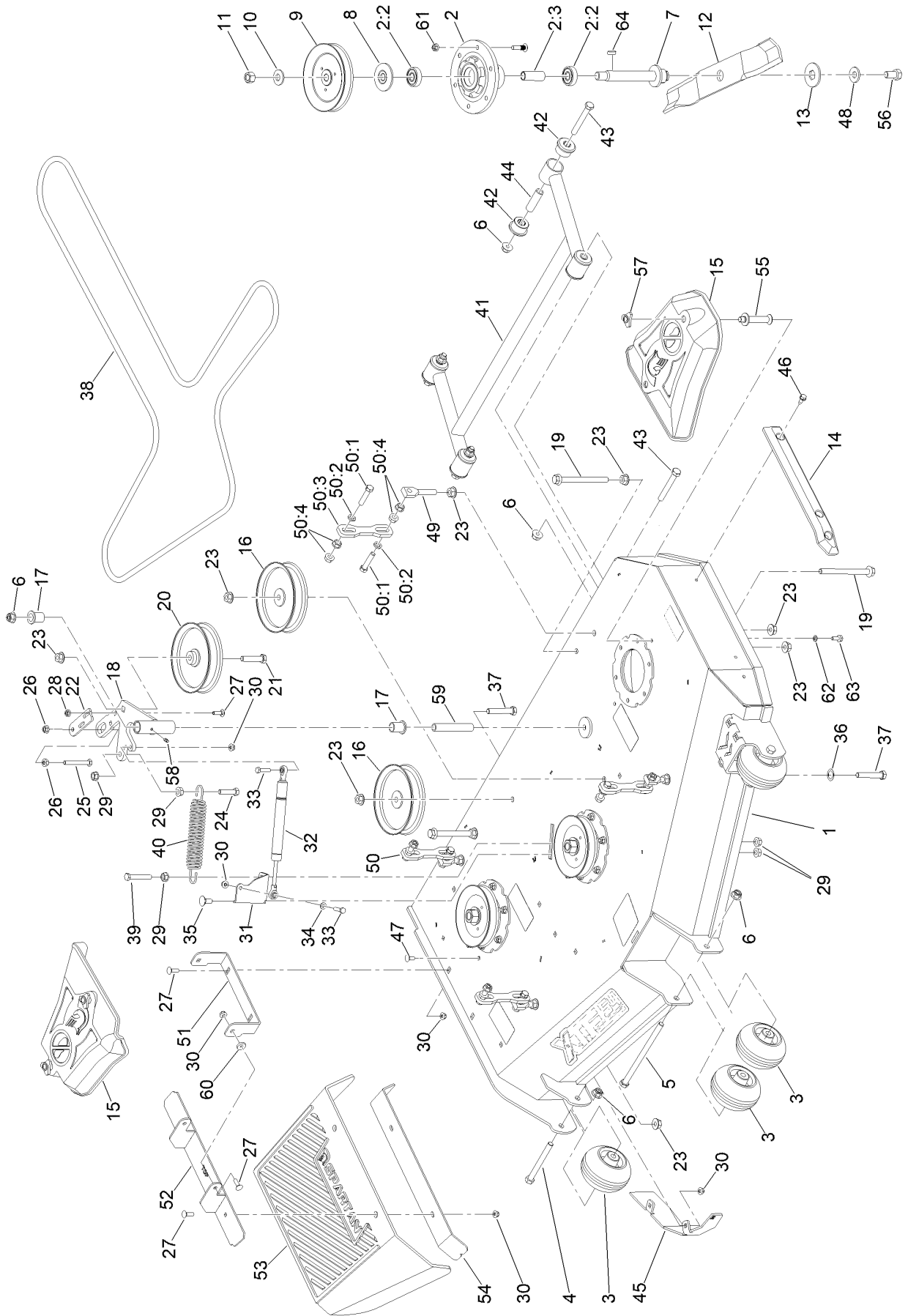
# Engine Assembly



## Engine Assembly (continued)

<i>Ref.</i>	<i>Part Number</i>	<i>Qty.</i>	<i>Description</i>	<i>Ref.</i>	<i>Part Number</i>	<i>Qty.</i>	<i>Description</i>
1	1-807259	1	Key	17	433-0001-00	1	Mwr Hydraulic Pump Drive Pulleya Belt
2	413-0002-00	1	Nut-Lock	18	433-0012-00	1	4In Diesel And Economy Mwer Idler Pulley
3	104-2612	4	Nut-HF	19	434-0007-00	1	Mwr Deck Spring
4	324-7	1	Screw-HH	20	437-0025-00	1	Mwr Clutch Rotation Stop Brkt Sleeve
5	325-9	1	Screw-HH	21	439-0132-00-P11	1	Mwr Clutch Anti Rotation Brkt Painted
6	410-0007-00	2	3/4In ID X15/16In OD X 1-1/8In Flng Bush	22	439-0244-00-P11	1	Mwr Pump Idler Tensioning Brktpainted
7	415-0054-00	1	Mwr Chrome Exhaust Tip	23	461-0005-00	1	Pump Belt Srt Models A X 69.25In Eff L
8	415-0065-00	1	Exhaust Systemkawi Fx801/Fx850/Fx850EFI	24	470-0002-00	1	Warner PTO Clutch
9	415-0089-00	1	Kawasaki Fx801V Engn	25	490-0814-00-P11	1	4In Pump Idler Pulley Arm Assy Paint
10	418-0009-00	1	1/2-13 X 5-1/2 Hex Flange Bolt GR 8 Zy	26	418-0008-00	2	Bolt-CARR
11	418-0022-00	1	7/16-20 X 3 Hex C/S GR 8 Zc Yellow	27	418-0010-00	2	Bolt-CARR
12	418-0023-00	4	3/8-16 X 1-1/8 Ind HWH W/Serr Tri Lob Zy	28	3253-6	1	Washer-Lock
13	424-0002-00	1	1/4In Drive Type Grease Fitting Yz	29	413-0022-00	6	Nut-HF
14	425-0006-00	1	Mwr Inner Idler Spacer	30	32128-37	2	Nut-HF
15	425-0007-00	1	Mwr Pulley Spacer	31	32128-49	3	Nut-HHF
16	430-0001-00	1	Mwr Pump Idler Spring Tensioner				

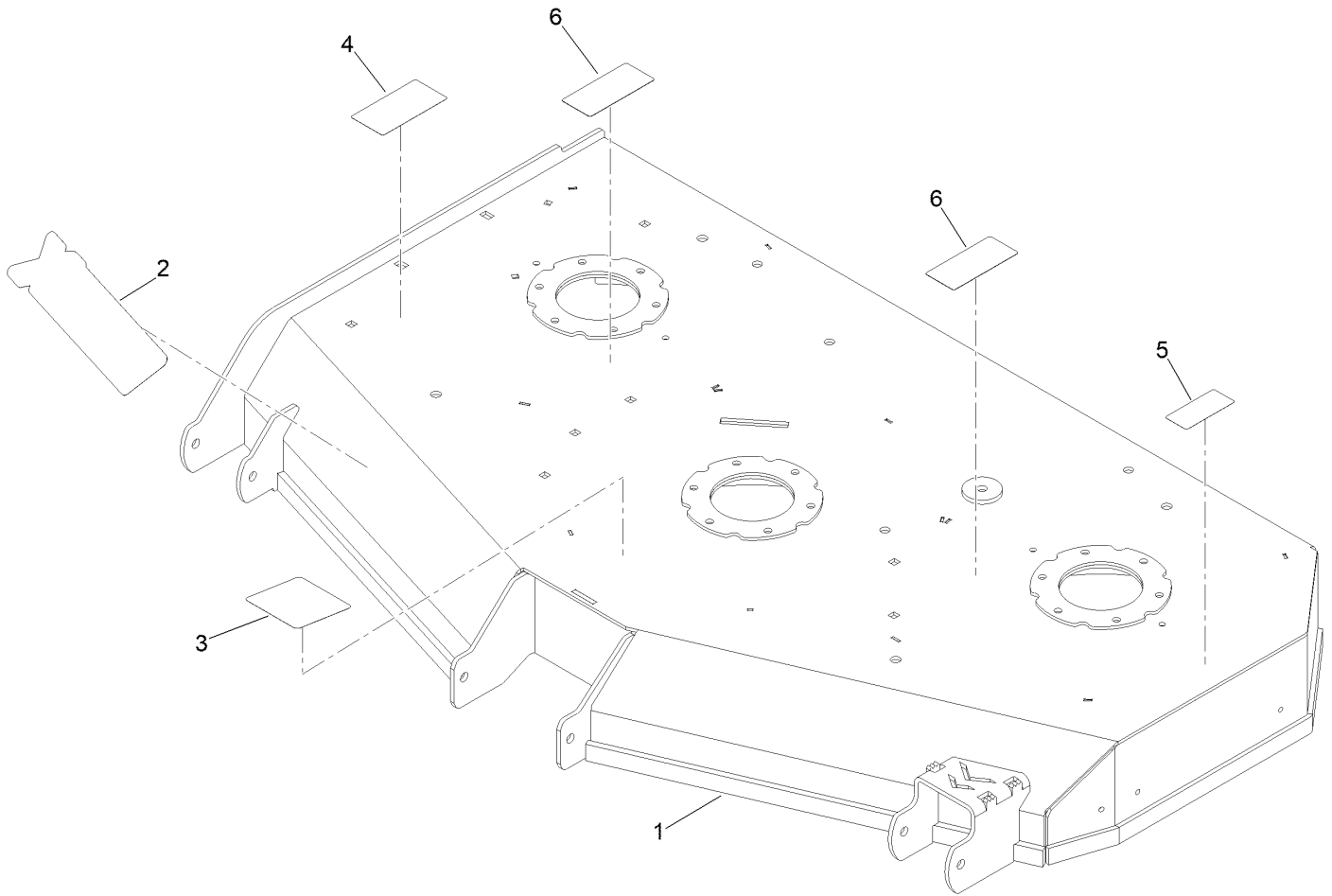
# 54 Inch Cutting Deck Assembly



## 54 Inch Cutting Deck Assembly (continued)

<i>Ref.</i>	<i>Part Number</i>	<i>Qty.</i>	<i>Description</i>	<i>Ref.</i>	<i>Part Number</i>	<i>Qty.</i>	<i>Description</i>
1	148-0786	1	ASM-Deck W/Decals	35	3232-1	1	Screw-CARR
2	148-0005	3	Spindle ASM 6" Deck	36	418-0110-00	1	.767Idx1.125Odx.016 THK Trip Wv Washer
2:2	116-0720	2	Bearing-Ball	37	418-0246-00	2	1/2-13 X 2-3/4 Hex Flange Bolt (GR.8) Yz
2:3	148-0026	1	Spacer, Bearing	38	461-0001-00	1	54 Deck Belt
3	422-0061-00	4	Mwr Anti-Scalp Whl W/O Grease Fitting	39	418-0013-00	1	Bolt-HH
4	325-19	2	Screw-HH	40	434-0007-00	1	Mwr Deck Spring
5	418-0015-00	1	1/2-13 X 8-1/2 Hex C/S GR 2 Zinc Yellow	41	490-0014-00-P11	1	54In/61In Deck Frame Stabilizer Painted
6	413-0002-00	8	Nut-Lock	42	732-2000-00	8	Red A80 Susp Bushing
7	148-0106	3	Shaft - Spindle	43	418-0021-00	4	1/2-13 X 3-3/4 Hex C/S (GR.5) Zc/Yel
8	116-1286	3	Guard,Bearing Top .989	44	732-2001-00	4	UTV A-Arm Bushing Sleeve
9	148-0031	3	Pulley	45	148-0207-P11	1	Baffle-Wiper 54 Painted
10	148-0113	3	M20 Spring Washer (44.5Mmod/ 3.3MM THK)	46	9264964	3	Screw-HWH, Thread Cut
11	148-0111	3	M20X1.5 C8.8 Hex Nut	47	418-0008-00	2	Bolt-CARR
12	148-0098	3	Blade-Rotary	48	148-0114	3	M16 Spring Washer (39Mmod/ 3.9MM THK)
13	148-0108	3	Washer-Hex	49	448-0001-00	4	Mwr Deck Height Adjustment Stud
14	429-0001-00	1	Mwr Nylon Deck Guard	50	435-0007-KT	4	Mwr Deck Susp Link Assy
15	148-0092	2	Cover Belt	50:1	435-0007-00-P11	1	Mwr Deck Susp Link Paint
16	433-0015-00	2	6-3/4In Idler Pulley 15/16In Spacer Assy	50:2	324-8	2	Screw-HH
17	410-0007-00	2	3/4In ID X15/16In OD X 1-1/8In Flng Bush	50:3	419-0010-00	2	.443 ID X .749 OD X .125 THK Nylon Black
18	490-0019-00-P11	1	Mwr Deck Idler Pulley Arm Assy Paint	50:4	32128-37	4	Nut-HF
19	418-0009-00	3	1/2-13 X 5-1/2 Hex Flange Bolt GR 8 Zy	51	439-0111-00-P11	1	Mwr Chute Mtg Brkt Painted
20	433-0014-00	1	6-3/4In Idler Pulley 7/16In Spacer ASM	52	490-0056-00-P11	1	Rt/Srt Deck Chute Hinge Assy Paint
21	418-0012-00	1	1/2-13 X 2-1/4 Hex C/S GR 5 Zinc	53	481-0011-00	1	2020 Rt/Srt Rubber Discharge Chute
22	439-0257-00-P11	1	Deck Idler Pulley Belt Retnr Brkt Paint	54	439-0190-00-P11	1	2020 Deck Chute Hinge Backer Brkt Paint
23	32128-49	15	Nut-HHF	55	148-0094	4	Pin-Belt Cover
24	324-7	1	Screw-HH	56	148-0109	3	M16X1.5-30MM C10.9 Hex Bolt
25	323-13	1	Screw-HH	57	148-0234	4	Nut-Knob
26	413-0020-00	2	3/8-16 Hex Flange Nut W/Serr Zinc Yellow	58	424-0002-00	1	1/4In Drive Type Grease Fitting Yz
27	418-0060-00	8	5/16-18 X 1 Carriage Bolt GR 8 Yz	59	425-0006-00	1	Mwr Inner Idler Spacer
28	413-0022-00	2	Nut-HF	60	419-0006-00	2	.312 ID X .875OD X .1875 THK F/W NYL
29	32128-37	5	Nut-HF	61	413-0029-00	18	Nut-Hex
30	413-0027-00	10	Nut-HF, NI	62	3253-4	4	Washer-Lock
31	439-0335-00-P11	1	Deck Belt Idler Damper Mtg Brkt Painted	63	116-7230	4	Screw-HHF
32	434-0009-00	1	Idler Gas Spring	64	148-0118	3	6MM X 6MM X 20MM Rounded Machine Key
33	322-47	2	Screw-HH				
34	413-0016-00	1	.312Idx.625Odx.062 THK Thrust Brg Oi Brz				

# Deck Decal Assembly No. 148-0786

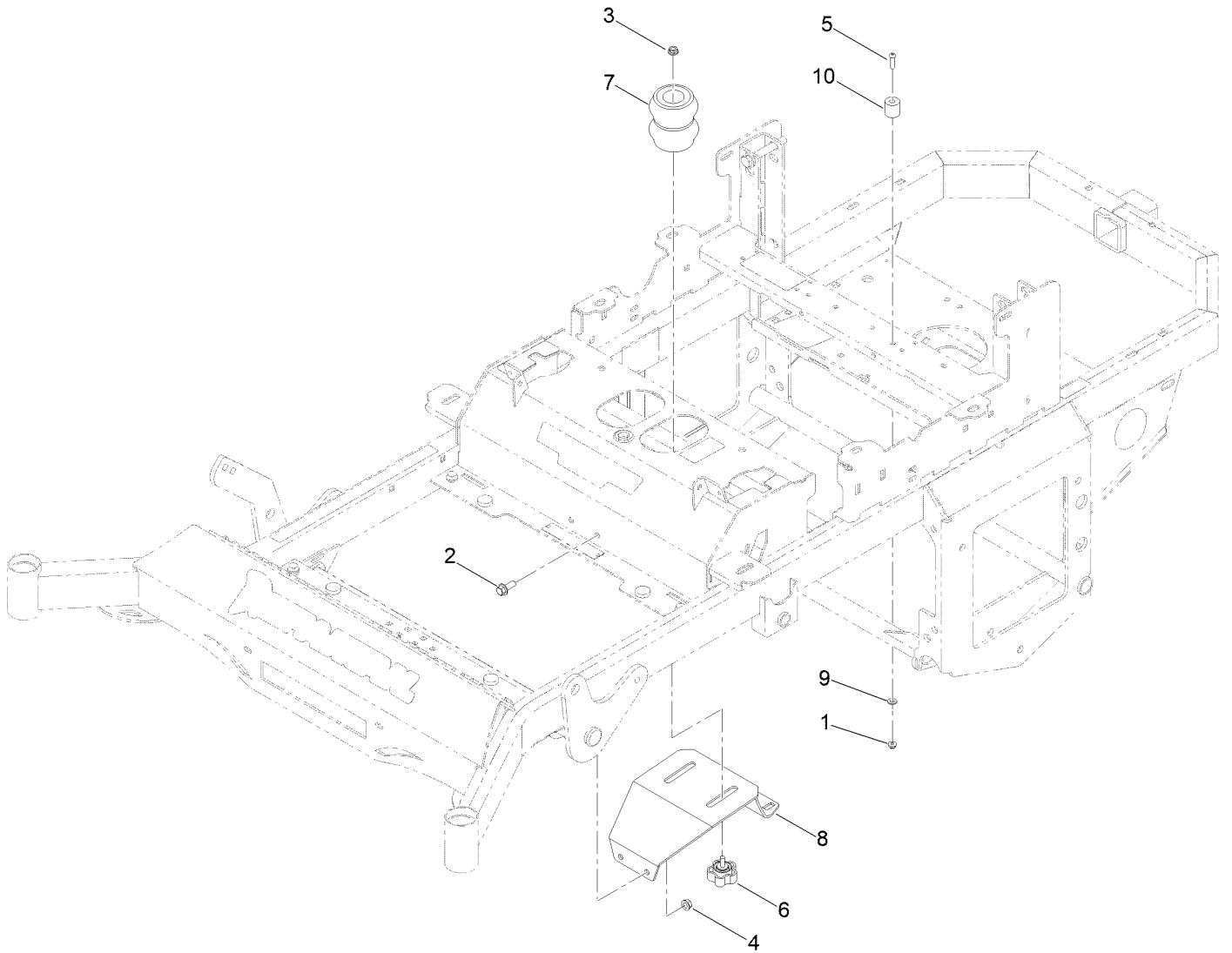


## Deck Decal Assembly No. 148-0786 (continued)

<i>Ref.</i>	<i>Part Number</i>	<i>Qty.</i>	<i>Description</i>	<i>Ref.</i>	<i>Part Number</i>	<i>Qty.</i>	<i>Description</i>
1		1	Deck ASM-54 Painted ●	4	132-0872	1	Decal-Danger, Deck
2	148-0779	1	Decal-Xtf	5	148-0430	1	Decal-Safety Blade Torque
3	148-0260	1	Decal-Deck Belt Routing	6	125-6127	2	Decal-Rotating Fan Hazard

● Not serviced separately

# Seat Suspension Assembly





## Seat Suspension Assembly (continued)

<i>Ref.</i>	<i>Part Number</i>	<i>Qty.</i>	<i>Description</i>	<i>Ref.</i>	<i>Part Number</i>	<i>Qty.</i>	<i>Description</i>
1	104-7201	2	Nut-HF, NI	7	487-0003-00	2	Srt Rr Susp And Seat Ft Elastomer Tcb-3
2	131-2220	2	Screw-HHF	8	490-0021-00-P11	1	Mwr Seat Susp Brkt (Srt) Painted
3	413-0022-00	2	Nut-HF	9	515-0038	2	Washer-Flat
4	413-0020-00	2	3/8-16 Hex Flange Nut W/Serr Zinc Yellow	10	729-1000-00	2	Hood Rest Rubber Bumper
5	418-0039-00	2	1/4-20 X 1 Button Socket C/S 18-8 SS				
6	445-0006-00	2	5/16-18X3/4 SI 5-Lobe Male Knob 1.90 DIA				

**Notes:**

**Notes:**

