



## SRT XD 61in Mower

Model No. SSXD161999KE

# Parts Catalog



# Ordering Replacement Parts

To order replacement parts, please supply the part number, the quantity, and the description of each part desired.

## Understanding Reference Numbers

Each identified part in an illustration has a reference number. The reference number for a part also appears in the parts list, along with other information about the part.

This catalog uses two special reference number formats, one to indicate parts in a service assembly and another to indicate the quantity of a given part in an illustration.

## Service Assembly Reference Numbers

Parts in service assemblies have reference numbers in the form a:b. The a represents the reference number of the entire service assembly and the b represents a sequential number unique to each part within the service assembly.

For example, a wheel assembly might be identified by reference number 6, the tire by 6:1, the valve by 6:2, and the wheel by 6:3. When you order the assembly identified by reference number 6, you receive all parts identified by reference numbers 6:1, 6:2, and 6:3. However, you may also order any part individually. Reference numbers of this type appear in illustration and in parts lists.

## Reference Numbers Indicating Quantity

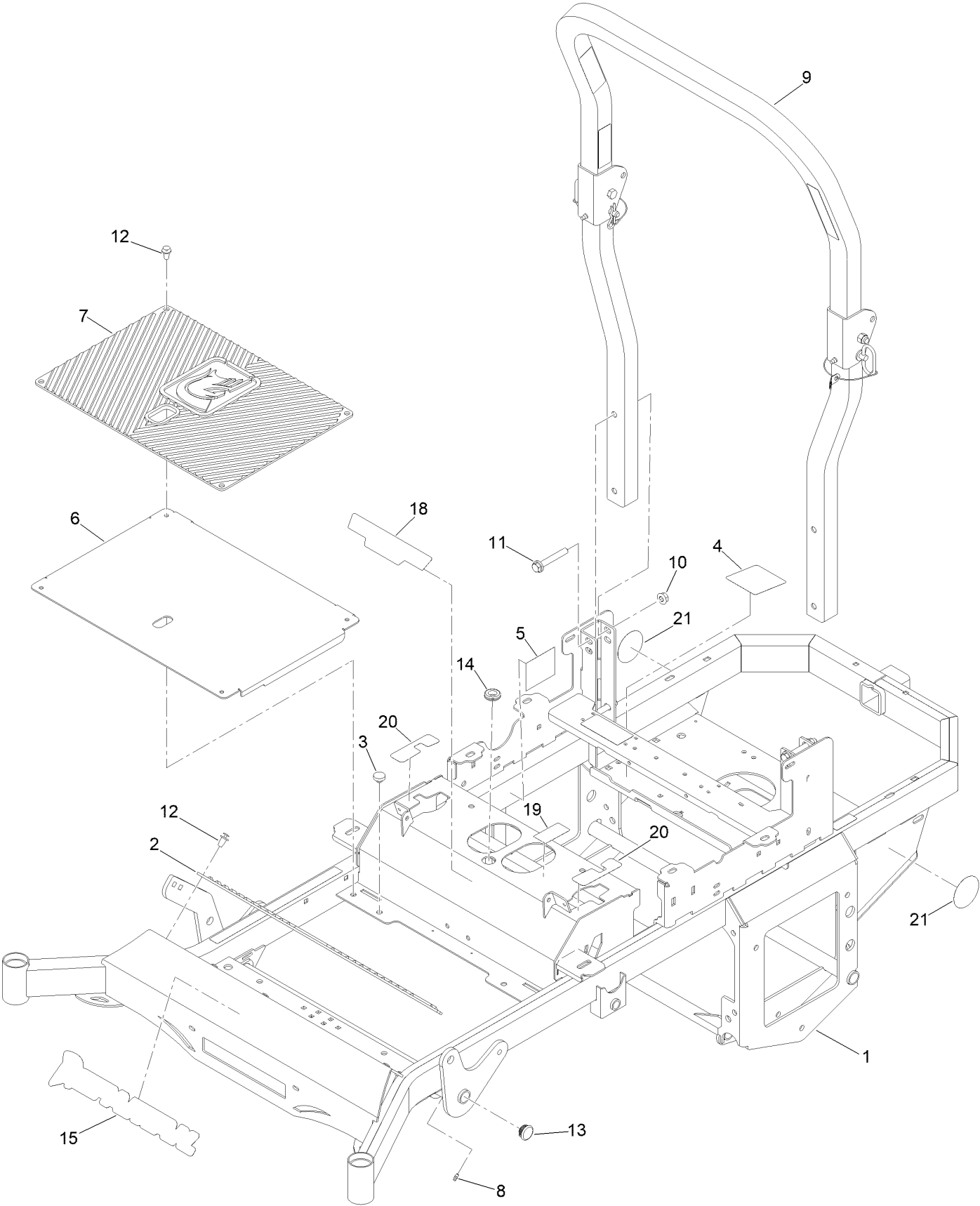
In an illustration, if a reference number indicates more than one part, the reference number has the form nX y. The n represents the quantity of the part, the X is the multiplication symbol, and the y represents the reference number.

For example, in an illustration, the reference number 2X 37 means that two of the parts identified by reference number 37 are indicated.

# Contents

Main Frame Assembly .....	4
Frame with Decals Assembly No.148-0445 .....	6
Transmission Assembly .....	8
Body Styling Assembly .....	10
Fuel Tank Assembly.....	12
Seat Assembly .....	14
Motion Control and Parking Brake Assembly.....	16
Caster Tire Assembly.....	18
Drive Wheel Assembly .....	20
Electrical Assembly .....	22
Decklift Assembly.....	24
Engine Assembly .....	26
61 Inch Cutting Deck Assembly .....	28
Deck Decal Assembly No. 148-0787 .....	30
Seat Suspension Assembly .....	32

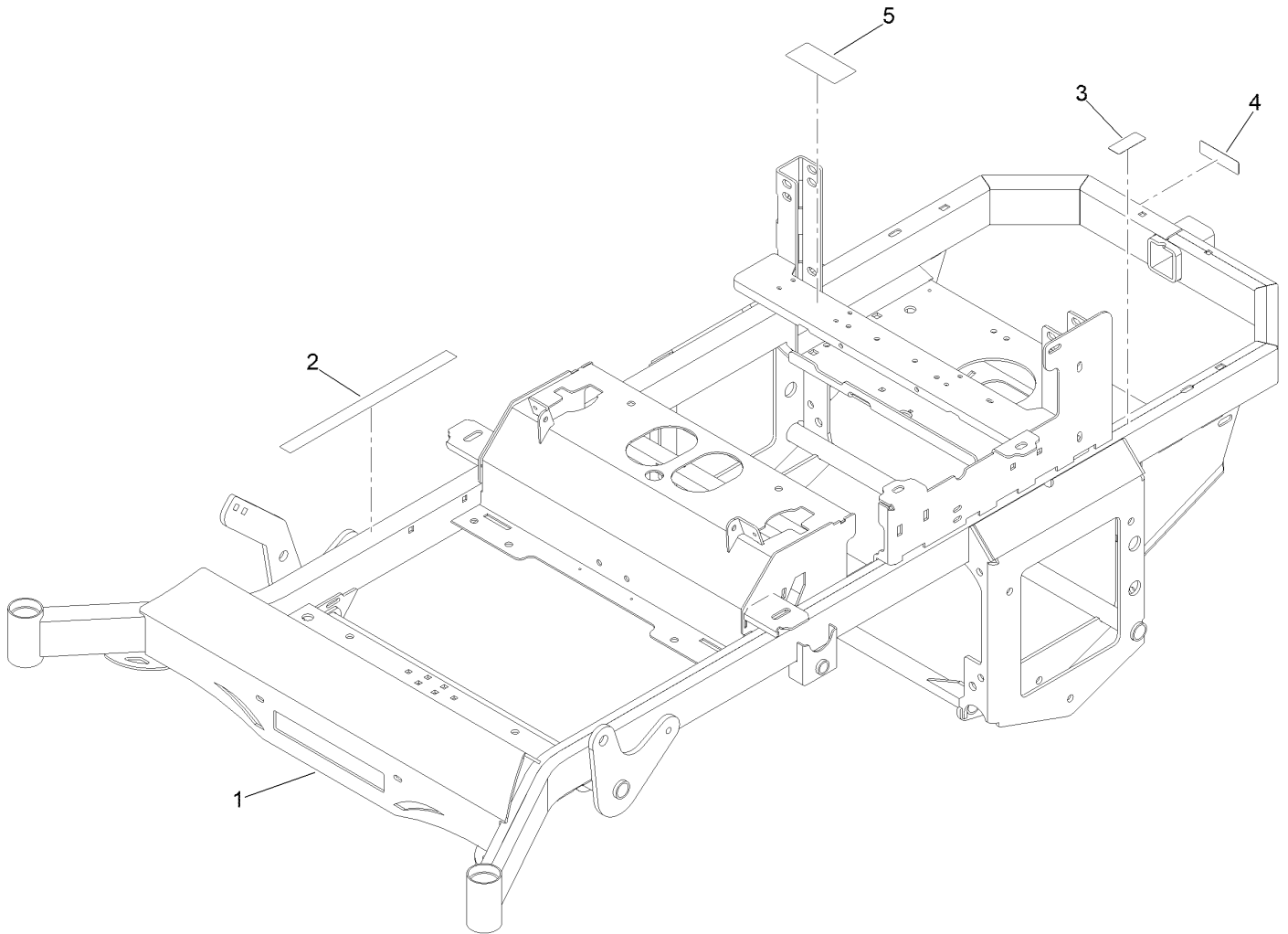
# Main Frame Assembly



## Main Frame Assembly (continued)

<i>Ref.</i>	<i>Part Number</i>	<i>Qty.</i>	<i>Description</i>	<i>Ref.</i>	<i>Part Number</i>	<i>Qty.</i>	<i>Description</i>
1	148-0445	1	Frame ASM W/ Decals	10	413-0014-00	4	1/2-13 Hex Stover Locknut GR C Zinc
2	481-0005-00	1	Mwr Rubber Foot Rest Mat	11	418-0019-00	4	Bolt-HF
3	429-0002-00	4	Push-In Rubber Bumper Mwr Floor	12	414-0002-00	10	8MM Push Type Retainer Nylon Black
4	148-0466	1	Decal-Pump Belt Routing-Parker	13	414-0015-00	2	1-1/4 In Round Tube Plug
5	148-0426	1	Decal-E P A	14	240-6	1	Grommet-Rubber
6	439-0007-00-P11	1	Mwr Floorboard Paint	15	148-0801	1	Decal-Spartan, Front
7	481-0006-00	1	Mwr Logo Floor Mat	18	491-0201-00	1	2022 Srt-Xd W/Gt Trac Decal
8	624-1000-00	2	1/4 Drive Type Straight Grease Fitting Zc	19	148-0857	1	Decal-Weight, Seat
9	497-0003-00	1	Spartan Folding ROPS Boxed	20	148-0259	1	Decal-Motion Control
				21	491-0038-00	2	Mwr Parker Pump Decal

# Frame with Decals Assembly No.148-0445

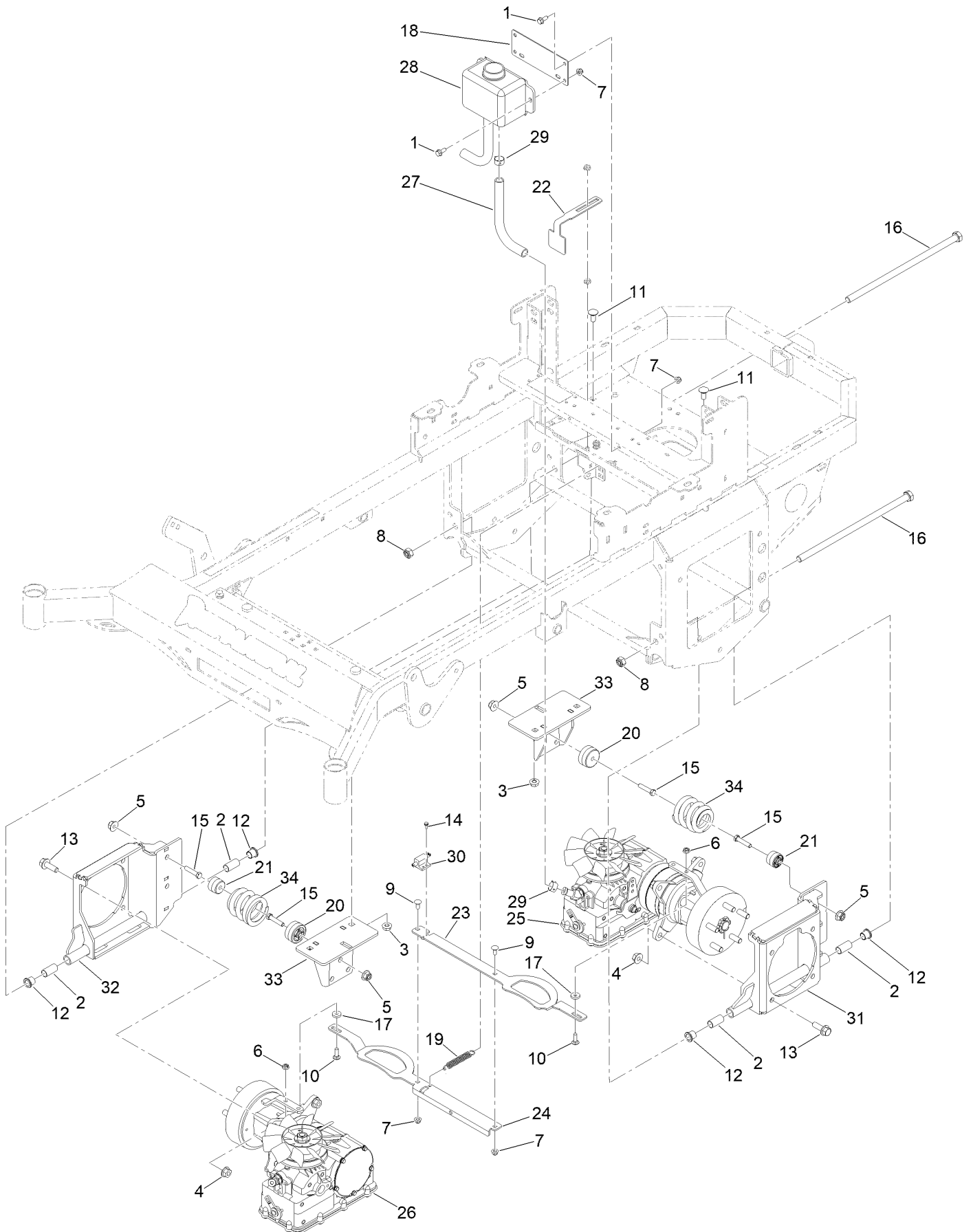


# Frame with Decals Assembly No.148-0445 (continued)

<i>Ref.</i>	<i>Part Number</i>	<i>Qty.</i>	<i>Description</i>	<i>Ref.</i>	<i>Part Number</i>	<i>Qty.</i>	<i>Description</i>
1		1	Frame ASM ●	4	147-7364	1	Decal-Hitch
2	142-7754	1	Decal-Warning	5	125-6127	1	Decal-Rotating Fan Hazard
3	127-0392	1	Decal-Hot Surface				

● Not serviced separately

# Transmission Assembly

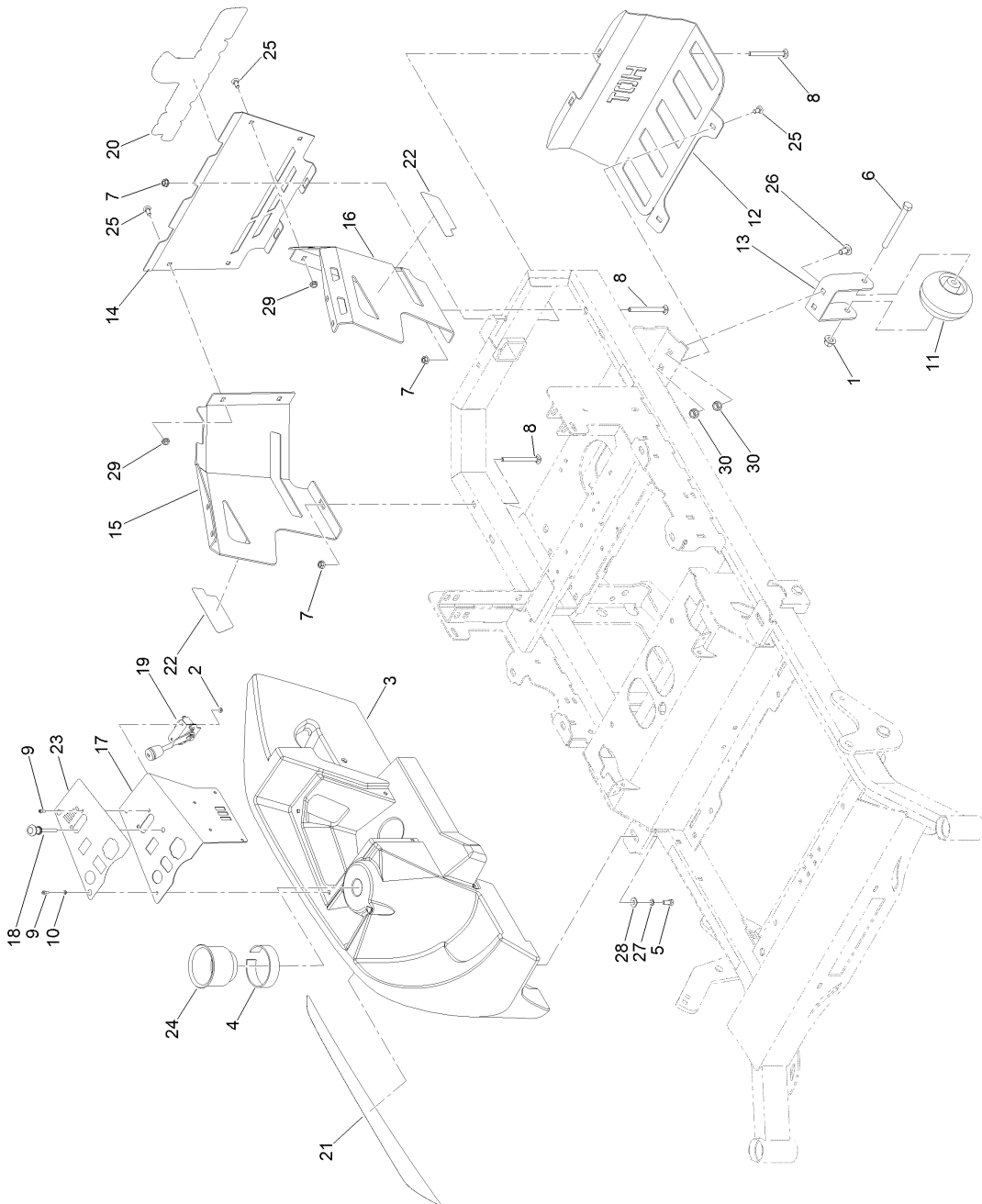




## Transmission Assembly (continued)

<i>Ref.</i>	<i>Part Number</i>	<i>Qty.</i>	<i>Description</i>	<i>Ref.</i>	<i>Part Number</i>	<i>Qty.</i>	<i>Description</i>
1	116-7230	4	Screw-HHF	19	434-0003-00	1	Mwr Brake Pedal Release Spring
2	410-0019-00	4	.625 ID X .750 OD X 1.500In Oi Bushing	20	434-0010-00	2	Susp Spring Inside Guide
3	413-0001-00	6	7/16-14 Hex Flange Nut W/Serr Zinc	21	434-0011-00	2	Susp Spring Outside Guide
4	32128-49	8	Nut-HHF	22	439-0066-00-P11	1	Stand Trans Brake Interlock Brkt Paint
5	413-0013-00	4	3/8-16 Nylon Insert Flange L/Nut Yz	23	439-0757-00-P11	1	2022 Xd Park Brake Brkt G16 Lt Grey
6	413-0019-00	2	5/16-18 Nylon Insert Flange L/Nut Zc	24	439-0758-00-P11	1	2022 Xd Park Brake Brkt G16 Rt Grey
7	413-0027-00	6	Nut-HF, NI	25	450-0015-00	1	Htg16 Lt Side Transm W/Control Orifice
8	413-0050-00	2	5/8-11 Nylon Insert Flange L/Nut Zinc	26	450-0016-00	1	Htg16 Parker Rt Sd Trans W/Cntrl Orifice
9	418-0008-00	2	Bolt-CARR	27	451-0001-00	19	Mwr 5/8In Hydraulic Hose, 1Ft
10	418-0010-00	4	Bolt-CARR	28	467-0003-00	1	Hydraulic Fluid Reservoir
11	3232-1	6	Screw-CARR	29	472-0013-00	4	22MM Hose Clamp (Ctb-22ST-Fk)
12	135-9063	4	Bushing-Flange	30	486-0030-00	1	No Plunger Limit Switch
13	100-6116	8	Screw-HHF	31	490-0004-00-P11	1	Xd Lt Rr Susp Assy Painted
14	418-0032-00	2	8-32 X 1/2 Ind. HWH Slot Type F Tcs Zinc	32	490-0005-00-P11	1	Xd Rt Rr Susp Assy Painted
15	418-0051-00	4	3/8-16 X 1-3/4 Hex C/S GR 2 Zinc	33	490-0069-00-P11	2	Mwr Susp Frame Brkt Assy Paint
16	418-0058-00	2	5/8-11 X 15In Hex C/S GR 2 Zc 3In Thd L	34	587-0002-00	2	Srt Rr Susp Spring
17	419-0006-00	2	.312 ID X .875OD X .1875 THK F/W NYL				
18	426-0013-00-P11	1	Mwr Hydraulic Reservoir Mtg Plate Black				

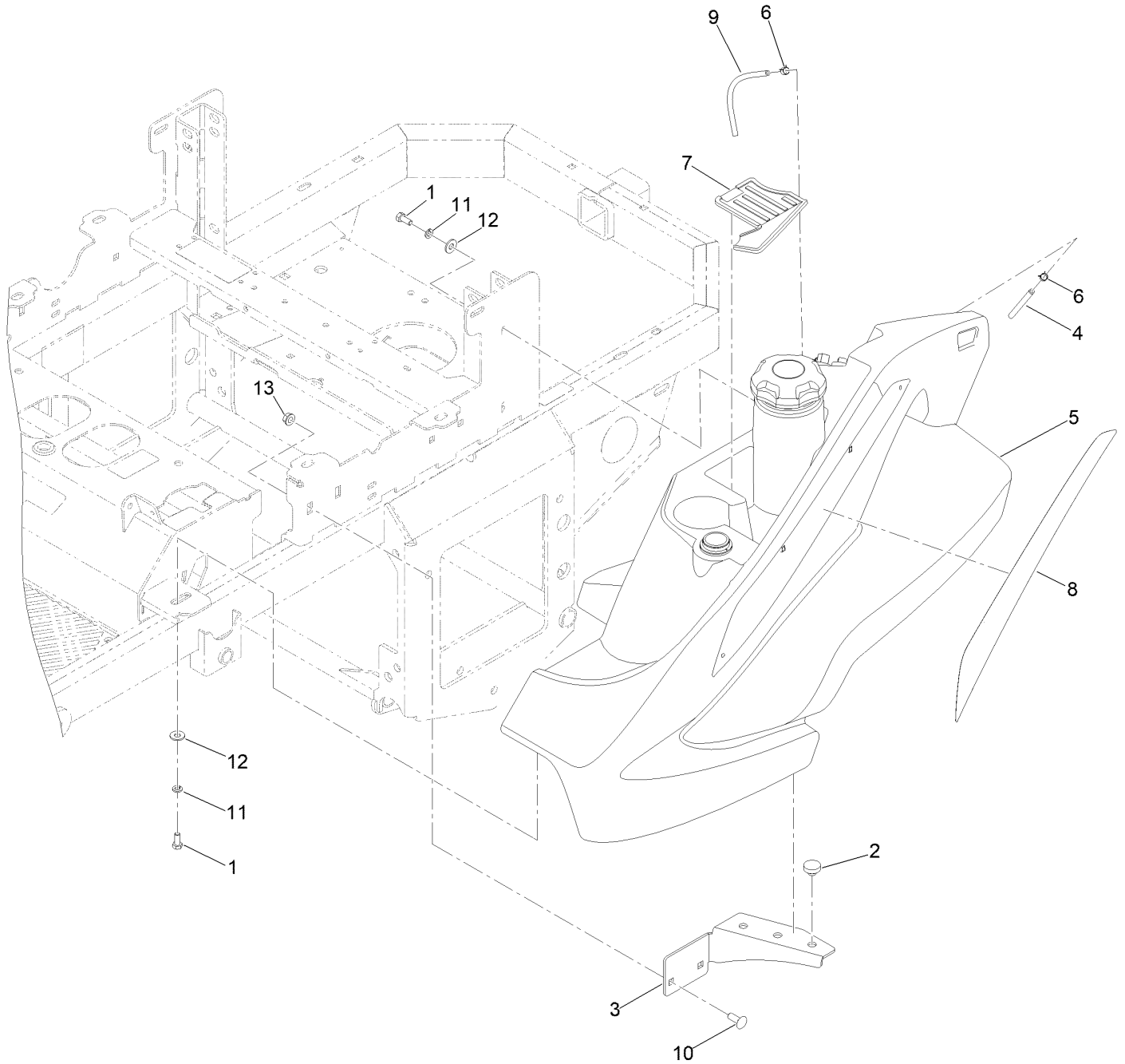
# Body Styling Assembly



## Body Styling Assembly (continued)

<i>Ref.</i>	<i>Part Number</i>	<i>Qty.</i>	<i>Description</i>	<i>Ref.</i>	<i>Part Number</i>	<i>Qty.</i>	<i>Description</i>
1	413-0002-00	2	Nut-Lock	16	439-0692-00-P11	1	2021 Rt/Srt Engn Cowling Lt Painted
2	110-3145	2	Nut-Lock	17	439-0895-00-P11	1	Control Panel Brkt Indiv Controls Paint
3	148-0313	1	Console W/ Cupholder	18	464-0002-00	1	Mwr Choke Cable Assm
4	148-0770	1	Tape-Foam	19	464-0006-00	1	Kawasaki EFI Throttle
5	418-0054-00	4	Screw-HH	20	491-0040-00	1	Mwr Rr Spartan Logo
6	325-19	2	Screw-HH	21	491-0081-00	1	Mwr Fuel Tank Logo Rt Side
7	413-0029-00	4	Nut-Hex	22	491-0175-00	2	Srt-Xd Model Decal
8	418-0018-00	4	3/8-16 X 4 Carriage Bolt Zinc	23	491-0241-00	1	EFI Keyswitch Console Decal
9	418-0055-00	6	10-24 X 1/2 Socket C/S 18-8 SS	24	780-2220-00	1	Cup Holder
10	419-0011-00	4	#10 Split Lockwasher 18-8 SS	25	418-0008-00	6	Bolt-CARR
11	422-0061-00	2	Mwr Anti-Scalp Whl W/O Grease Fitting	26	3232-1	4	Screw-CARR
12	439-0006-00-P11	1	Mwr Muffler Guard Paint	27	3253-4	4	Washer-Lock
13	439-0138-00-P11	2	Mwr Stabilizer Mtg Brkt Paint	28	419-0007-00	4	Washer-Flat
14	148-0896-P11	1	Plate - Engine Cowling	29	413-0022-00	6	Nut-HF
15	439-0691-00-P11	1	2021 Rt/Srt Engn Cowling Rtpainted	30	32128-37	4	Nut-HF

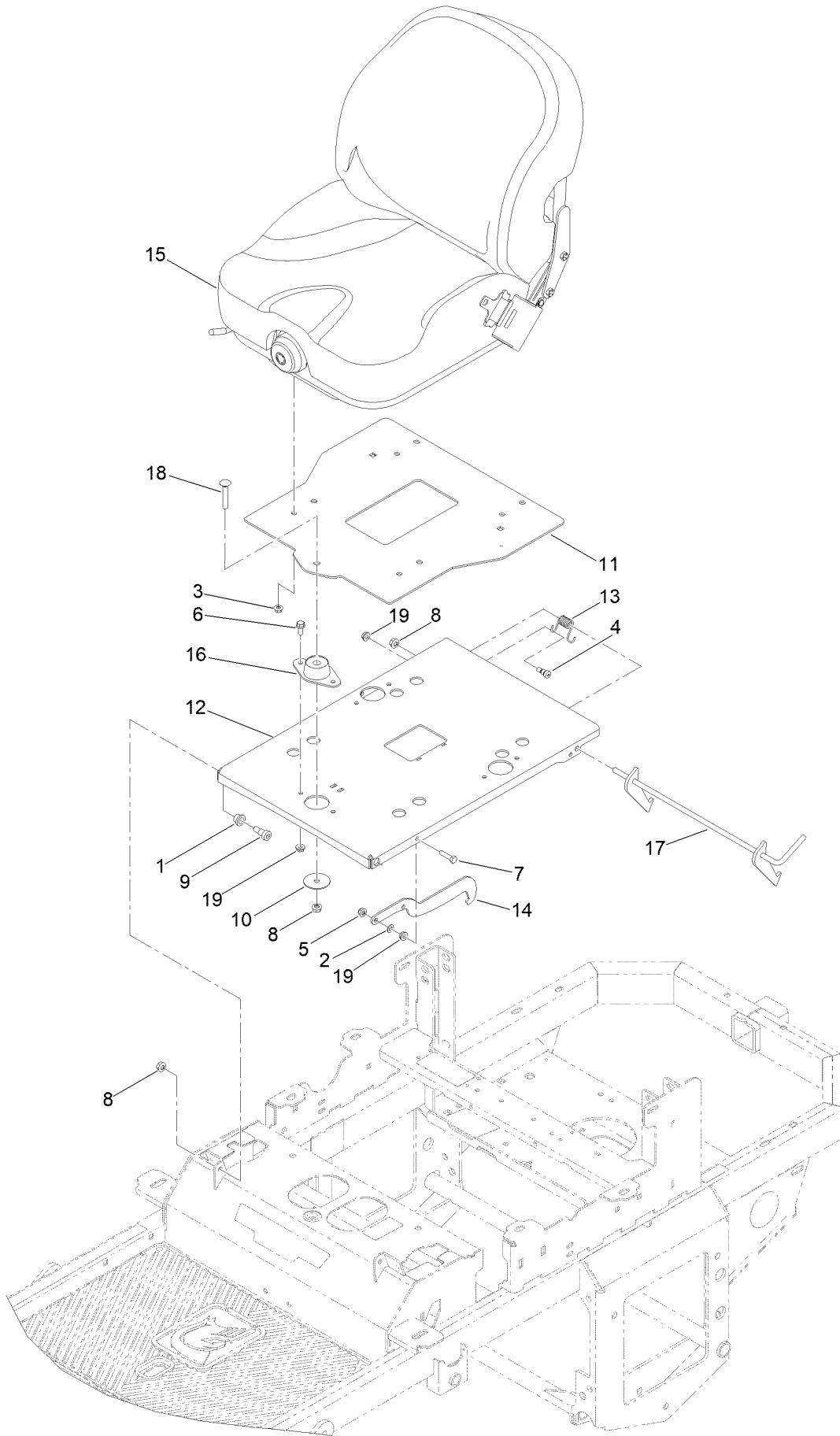
# Fuel Tank Assembly



## Fuel Tank Assembly (continued)

<i>Ref.</i>	<i>Part Number</i>	<i>Qty.</i>	<i>Description</i>	<i>Ref.</i>	<i>Part Number</i>	<i>Qty.</i>	<i>Description</i>
1	418-0054-00	4	Screw-HH	8	148-0844	1	Decal-Tank
2	429-0002-00	1	Push-In Rubber Bumper Mwr Floor	9	751-1014-00	10	1/4In SAE J30R7 Bulk Hose 1Ft
3	439-0448-00-P11	1	Rt/Srt Gas Tank Support Painted	10	418-0045-00	2	3/8-16 X 1 Carriage Bolt Yz GR.8
4	451-0002-00	10	Mwr Fuel Tank Black 3/16In Vent Tube 1Ft	11	3253-4	4	Washer-Lock
5	467-0001-00	1	Mwr Gasoline Fuel Tank Assy	12	419-0007-00	4	Washer-Flat
6	472-0004-00	2	1/2In (#8) Hose Clamp	13	413-0020-00	2	3/8-16 Hex Flange Nut W/Serr Zinc Yellow
7	481-0004-00	1	Rubber Tank Storage Compartment Insert				

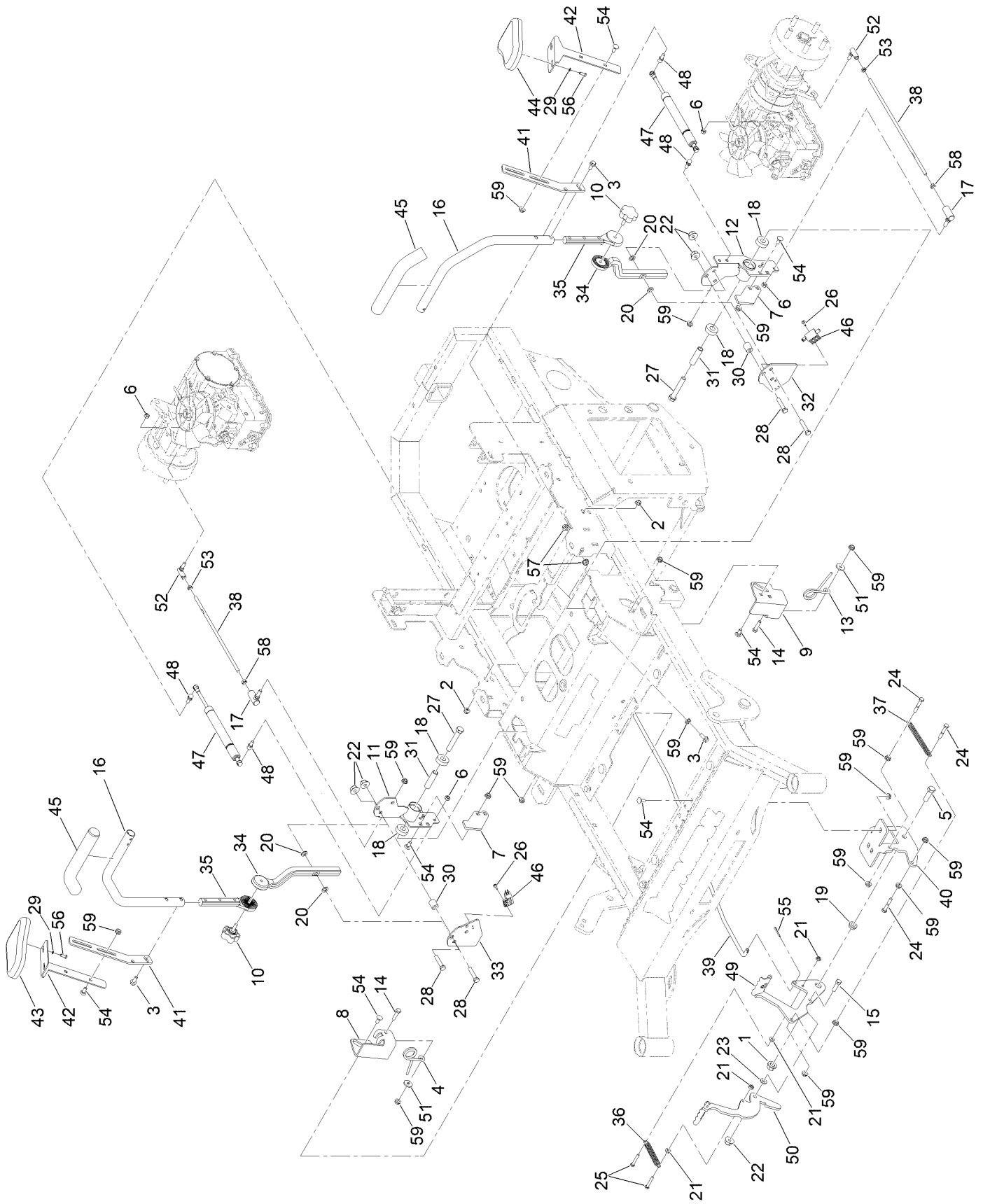
# Seat Assembly



## Seat Assembly (continued)

<i>Ref.</i>	<i>Part Number</i>	<i>Qty.</i>	<i>Description</i>	<i>Ref.</i>	<i>Part Number</i>	<i>Qty.</i>	<i>Description</i>
1	410-0010-00	2	1/2In ID X 5/8In OD X 1/2In Flange Bush	11	426-0231-00-P11	1	2019 Upgrade Seat Plate Paint
2	413-0016-00	1	.312ldx.625Odx.062 THK Thrust Brg Oi Brz	12	148-0290	1	ASM, Plate-Seat Base Upgrade W/ Decals
3	413-0019-00	4	5/16-18 Nylon Insert Flange L/Nut Zc	13	434-0004-00	1	Mwr Seat Latch Spring
4	1-809056	1	Screw-HSH Shldr	14	439-0065-00-P11	1	Mwr Seat Latch Hook Paint
5	413-0027-00	1	Nut-HF, NI	15	471-0015-00	1	2019 Full Susp Seat
6	116-7230	6	Screw-HHF	16	487-0007-00	3	Floating Seat Damper-Stiffer
7	322-47	1	Screw-HH	17	490-0011-61	1	Mwr Seat Latch Release Assy Abc
8	413-0029-00	6	Nut-Hex	18	618-2023-00	3	3/8In-16 X 2-1/2In GR 8 Carriage
9	418-0038-00	2	1/2 X 1/2 Socket Shoulder Bolt Zc Yellow	19	413-0022-00	8	Nut-HF
10	419-0022-00	3	3/8 X 2In OD Fender Washer Yz				

# Motion Control and Parking Brake Assembly

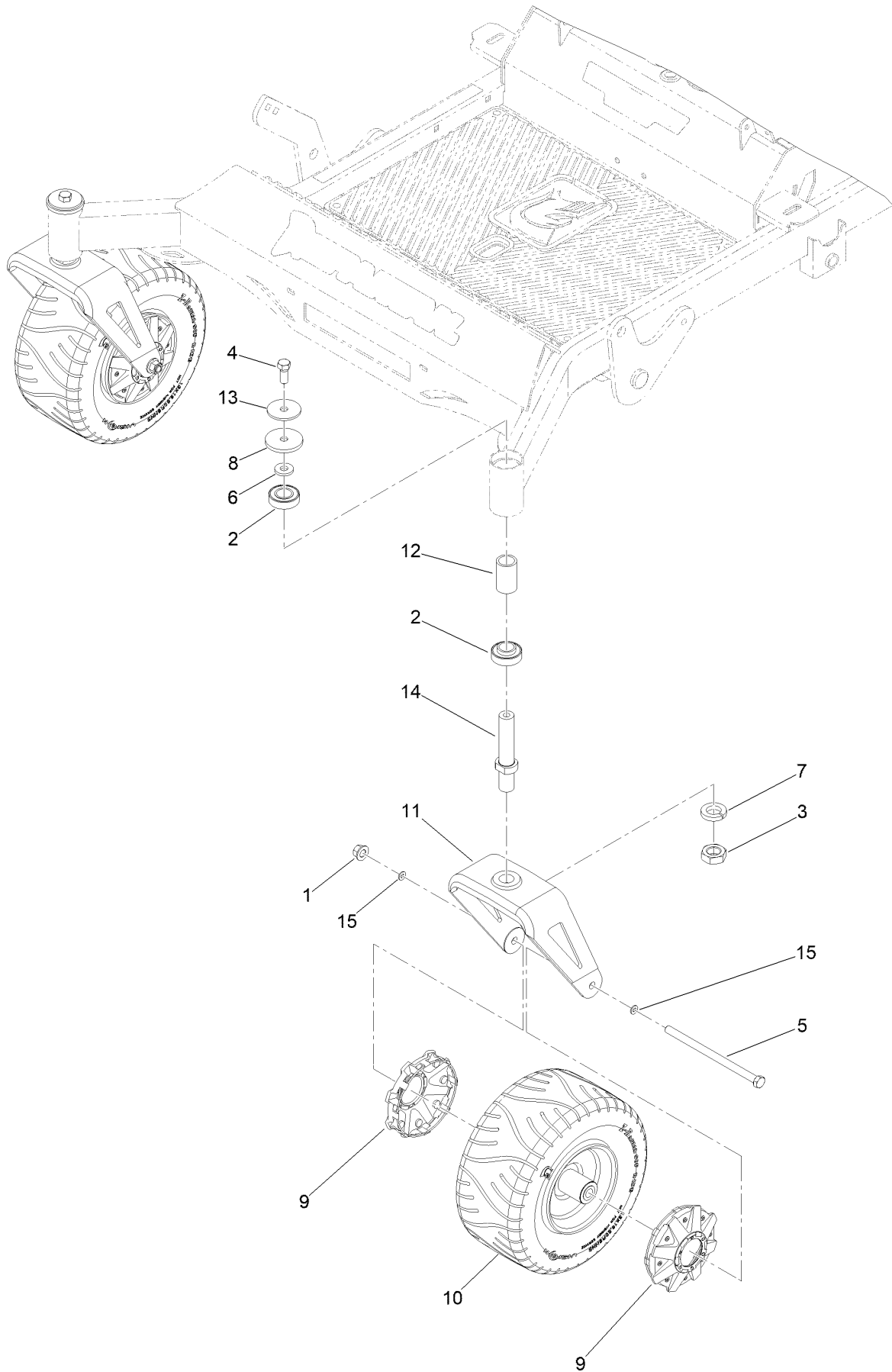




# Motion Control and Parking Brake Assembly (continued)

<i>Ref.</i>	<i>Part Number</i>	<i>Qty.</i>	<i>Description</i>	<i>Ref.</i>	<i>Part Number</i>	<i>Qty.</i>	<i>Description</i>
1	413-0002-00	1	Nut-Lock	31	425-0004-00	2	Mwr Drive Arm Hub / Deck Lift Arm Spacer
2	413-0027-00	2	Nut-HF, NI	32	426-0002-00-P11	1	Lt Control Arm Limit Switch Plate Paint
3	116-7230	6	Screw-HHF	33	426-0003-00-P11	1	Rt Control Arm Limit Switch Plate Paint
4	138-7539	1	Spring-Torsion	34	431-0002-00	2	Adjustable Lwr Drive Arm
5	139-2631	1	Screw-HH	35	431-0003-00	2	Adjustable Upp Drive Arm
6	148-0178	4	5/16-24 NYL INS L/N GR.8 Zc/Yel	36	434-0003-00	1	Mwr Brake Pedal Release Spring
7	148-0185-P11	2	Reverse Detent Kick Plate	37	434-0015-00	1	2020 Mwr Brake Pedal Tension Spring
8	148-0186-P11	1	Reverse Dentent Spring Base (RH)	38	435-0002-00	2	Trans Drive Arm Linkage Standard Trans
9	148-0187-P11	1	Reverse Dentent Spring Base (LH)	39	435-0004-00	1	Mwr Brake Linkage
10	148-0228	2	5/16-18 X 1 SI 5-Lobe Male ST Knob 1.90	40	439-0009-00-P11	1	Mwr Frame Brake Mtg Brkt Paint
11	148-0245-P11	1	Motion Control Brkt	41	439-0010-00-P11	2	Mwr Arm Pad Tube Mtg Brkt Painted
12	148-0246-P11	1	Motion Control Brkt	42	439-0011-00-P11	2	Mwr Arm Pad Mtg Brkt Painted
13	148-0262	1	Spring- Lt Reverse Detent	43	471-0028-00	1	2020 Mwr Drive Arm Support Pad Lt
14	322-47	2	Screw-HH	44	471-0029-00	1	2020 Mwr Drive Arm Support Pad Rt
15	323-7	1	Screw-HH	45	484-0001-00	2	Control Arm Handle Grip
16	403-0020-10-P11	2	Mower Drive Handle Tube Abc	46	486-0030-00	2	No Plunger Limit Switch
17	410-0002-00	2	Control Arm Rod End Lt	47	487-0001-00	2	Control Arm Damper
18	410-0005-00	4	5/8In ID X 1-3/8In OD X 7/16In THK Brg	48	487-0005-00	4	5/16-18X1.286 Damper Ball Stud (.562 TI)
19	410-0009-00	1	1/2In ID X 3/4In OD X 3/8In Flange Bush	49	490-0016-00-P11	1	Mwr Brake Lock Lever Assy Painted
20	410-0011-00	4	3/8 X 3/4 Bronze Washer	50	490-0017-00-P11	1	Mwr Brake Unlock Lever Assy Painted
21	413-0012-00	4	1/4-20 Hex Flange Nut	51	619-4004-00	2	Striker Post Fender Washer
22	413-0013-00	7	3/8-16 Nylon Insert Flange L/Nut Yz	52	2411-33	2	Balljoint-RH (W/Grommet)
23	413-0052-00	1	3/8 ID X 3/4 OD X .125 THK Bronze Washer	53	3220-20	2	Nut-Jam
24	418-0027-00	3	Bolt-HH	54	418-0008-00	15	Bolt-CARR
25	418-0029-00	2	1/4-20 X 1-1/4 Hex C/S GR 2 Zinc	55	3272-11	1	Pin-Cotter
26	418-0032-00	4	8-32 X 1/2 Ind. HWH Slot Type F Tcs Zinc	56	3274-31	4	Screw-HSBH
27	418-0050-00	2	1/2-13 X 3 Hex C/S GR 5 Zinc W/Loctite	57	413-0020-00	2	3/8-16 Hex Flange Nut W/Serr Zinc Yellow
28	418-0051-00	6	3/8-16 X 1-3/4 Hex C/S GR 2 Zinc	58	09207	2	Nut
29	419-0012-00	4	1/4 EXT Tooth Lockwasher Zinc	59	413-0022-00	27	Nut-HF
30	425-0003-00	4	Mwr Drive Arm Spacer				

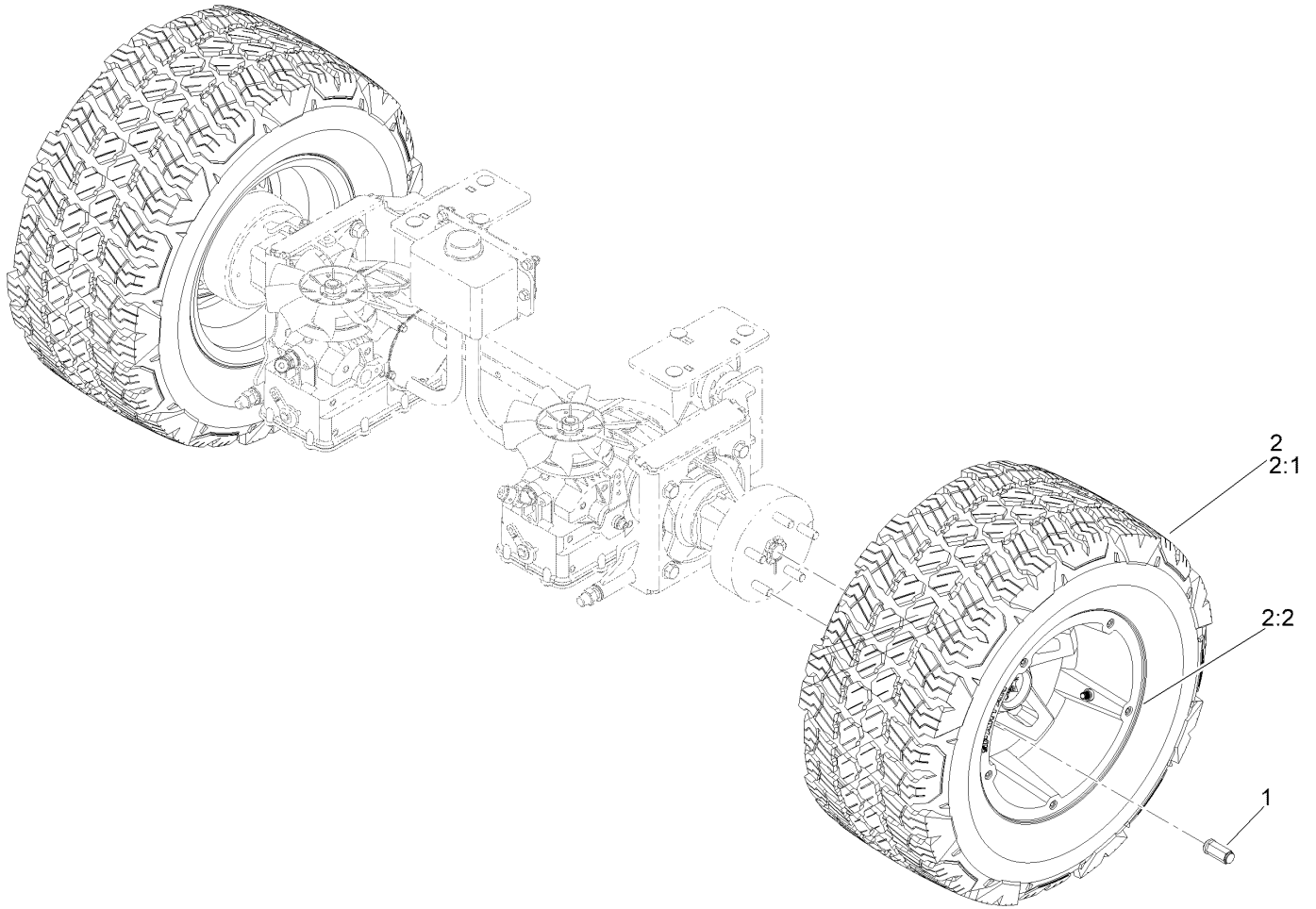
# Caster Tire Assembly



## Caster Tire Assembly (continued)

<i>Ref.</i>	<i>Part Number</i>	<i>Qty.</i>	<i>Description</i>	<i>Ref.</i>	<i>Part Number</i>	<i>Qty.</i>	<i>Description</i>
1	413-0002-00	2	Nut-Lock	9	422-0024-00	4	Mwr Ft Wheel Hub Cap
2	103-3540	4	Bearing-Ball	10	422-0042-00	2	Spartan Radial Ft Tire And Wheel Assm
3	413-0063-00	2	Nut-Hex	11	423-0001-00-P11	2	Rt And Srt Caster Wheel Fork
4	418-0002-00	2	1/2-20 X 1-1/4 Hex Flange Bolt GR 8 Yz	12	425-0011-00	2	Caster Fork Shaft Bearing Spacer
5	418-0003-00	2	1/2-13 X 8-1/2 Hex C/S GR 5 Zinc Yellow	13	426-0006-00-P11	2	Mwr Caster Shaft Washer
6	419-0003-00	2	1/2 Fender Washer 1-1/4In OD Zinc	14	437-0019-00	2	Mwr Caster Shaft
7	419-0024-00	2	1In L/W Med Split Zc	15	515-0038	4	Washer-Flat
8	419-0025-00	2	Ft Hub Plastic Washer				

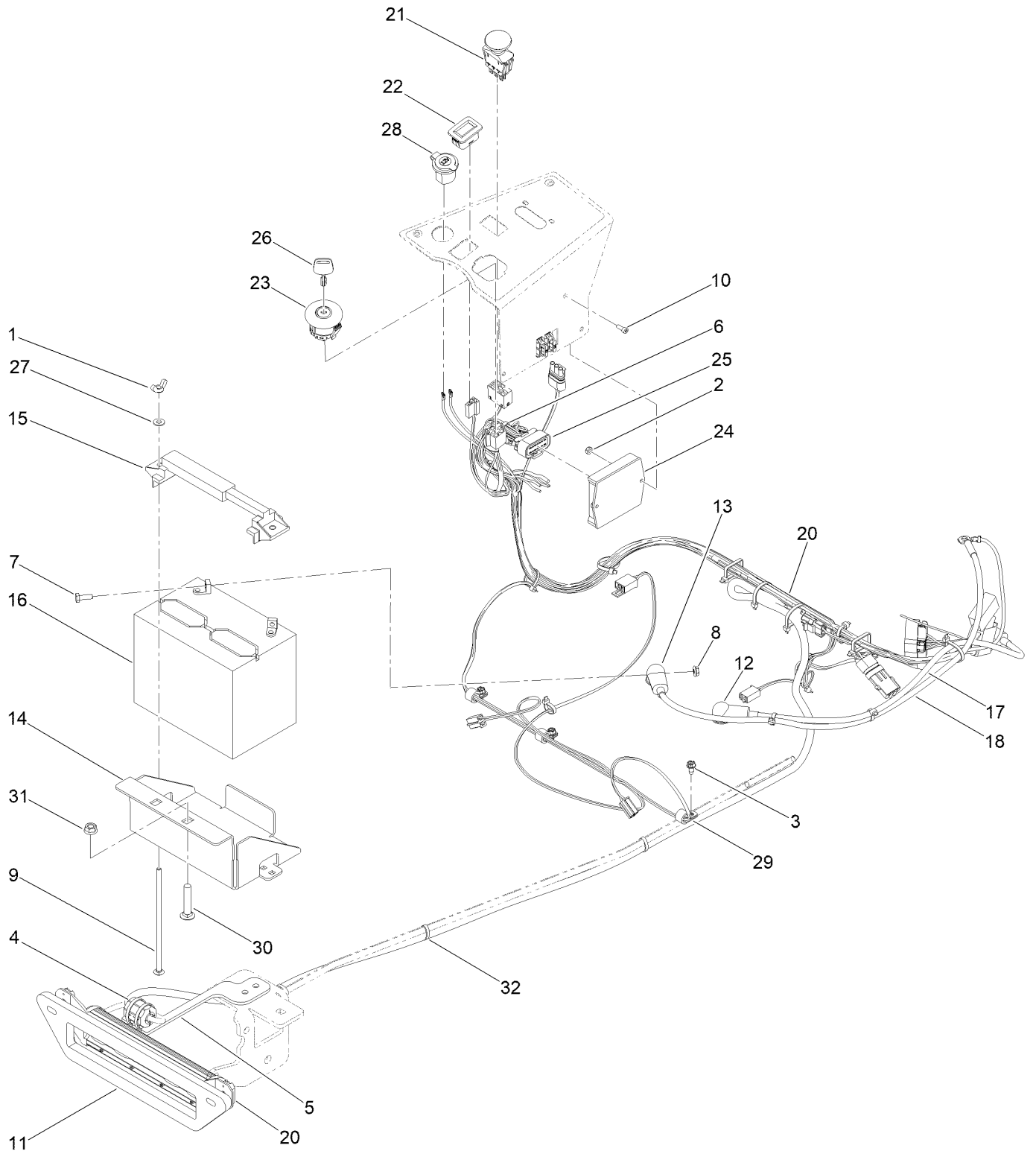
# Drive Wheel Assembly



## Drive Wheel Assembly (continued)

<i>Ref.</i>	<i>Part Number</i>	<i>Qty.</i>	<i>Description</i>	<i>Ref.</i>	<i>Part Number</i>	<i>Qty.</i>	<i>Description</i>
1	613-0001-00	10	Lug Nuts	2:1	422-0006-00	1	24 X 14 R12 Soft Ride Radial Tire Only
2	422-0005-00	2	2019 Mwr Xd Wheel And 24X14-R12 Tire	2:2	422-0007-00	1	12 X 8.5 416 Style Wheel Only

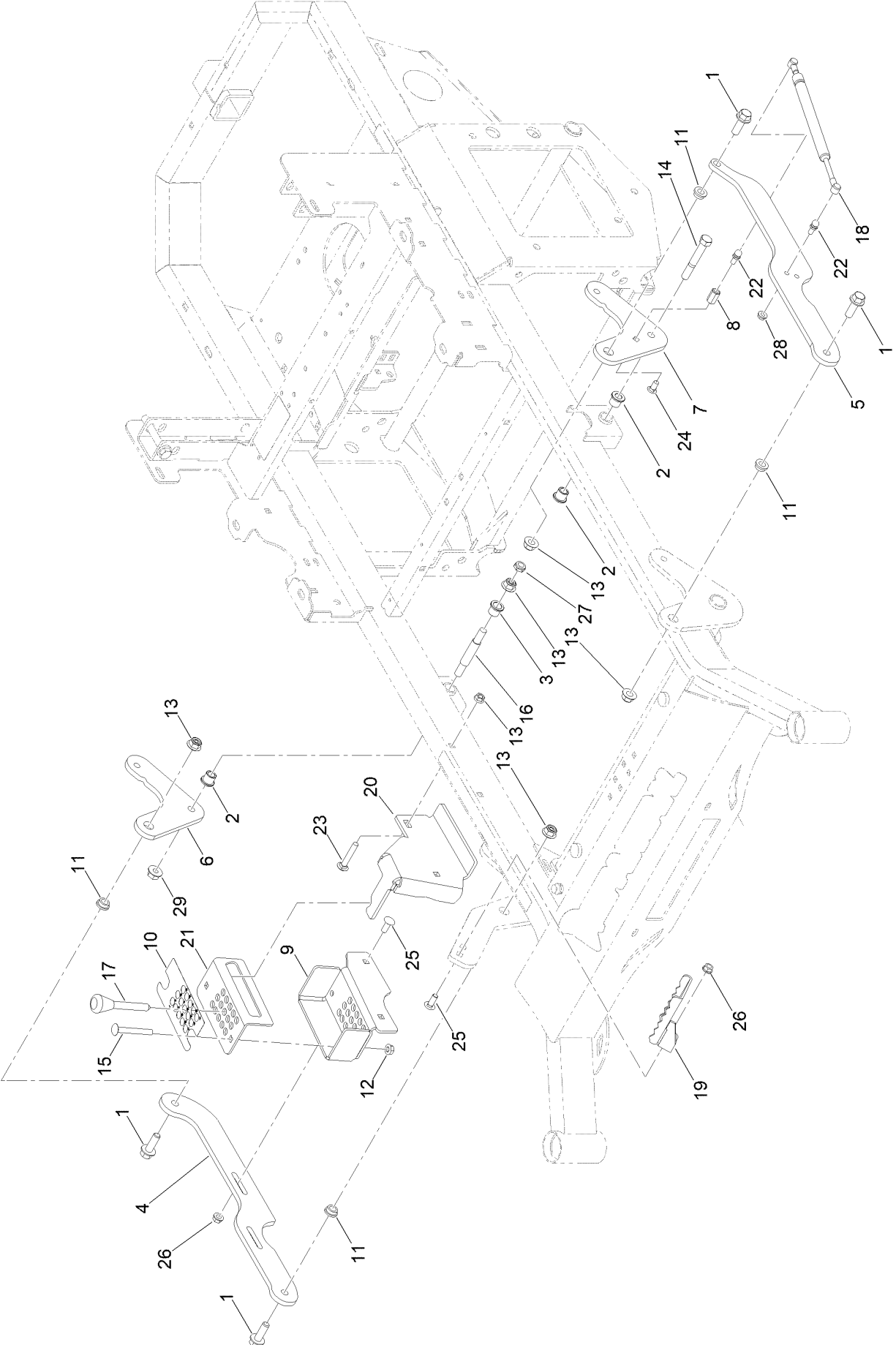
# Electrical Assembly



## Electrical Assembly (continued)

<i>Ref.</i>	<i>Part Number</i>	<i>Qty.</i>	<i>Description</i>	<i>Ref.</i>	<i>Part Number</i>	<i>Qty.</i>	<i>Description</i>
1	1-803038	2	Wingnut	16	468-0001-00	1	Mwr Start Battery 350CCA
2	110-3145	2	Nut-Lock	17	486-0016-00	1	Mwr Positive Battery Cable 25In
3	120-9551	3	Screw-HWH	18	486-0017-00	1	Mwr Negative Cable 28
4	148-0191	1	Fair-Rite Round Cable Snap-It Size B	20	486-0042-00	1	Full Beam With Lighted Helmet Light Bar
5	148-0219-05	1	Fair-Rite Bracket Painted	21	486-0060-00	1	PTO Switch
6	414-0001-00	3	6In (40 Lb) Cable Tie Nylon Uv	22	486-0061-00	1	Hour Meter
7	321-4	2	Screw-HH	23	486-0062-00	1	Ignition Switch
8	413-0012-00	2	1/4-20 Hex Flange Nut	24	486-0063-00	1	Interlock Module
9	418-0034-00	2	1/4-20 X 7 Carriage Bolt Zinc	25	486-0064-00	1	Mwr Keyswitch Jumper Harness
10	418-0055-00	2	10-24 X 1/2 Socket C/S 18-8 SS	26	486-0065-00	1	2023 Mwr Key
11	429-0003-00	1	Mwr Ft Nylon Bumper	27	515-0038	2	Washer-Flat
12	436-0002-00	2	3.15 Lgth Straight Insul Term Cover Red	28	677-2075-00	1	12 Volt Auxilliary Plug
13	436-0003-00	1	Straight Insulating Terminal Cover	29	2412-73	3	Clamp-R
14	439-0008-00-P11	1	Mwr Battery Box	30	3231-6	2	Screw-CARR
15	443-0001-00	1	Battery Hold Down	31	413-0020-00	2	3/8-16 Hex Flange Nut W/Serr Zinc Yellow
				32	3290-379	18	Tie-Cable

# Decklift Assembly

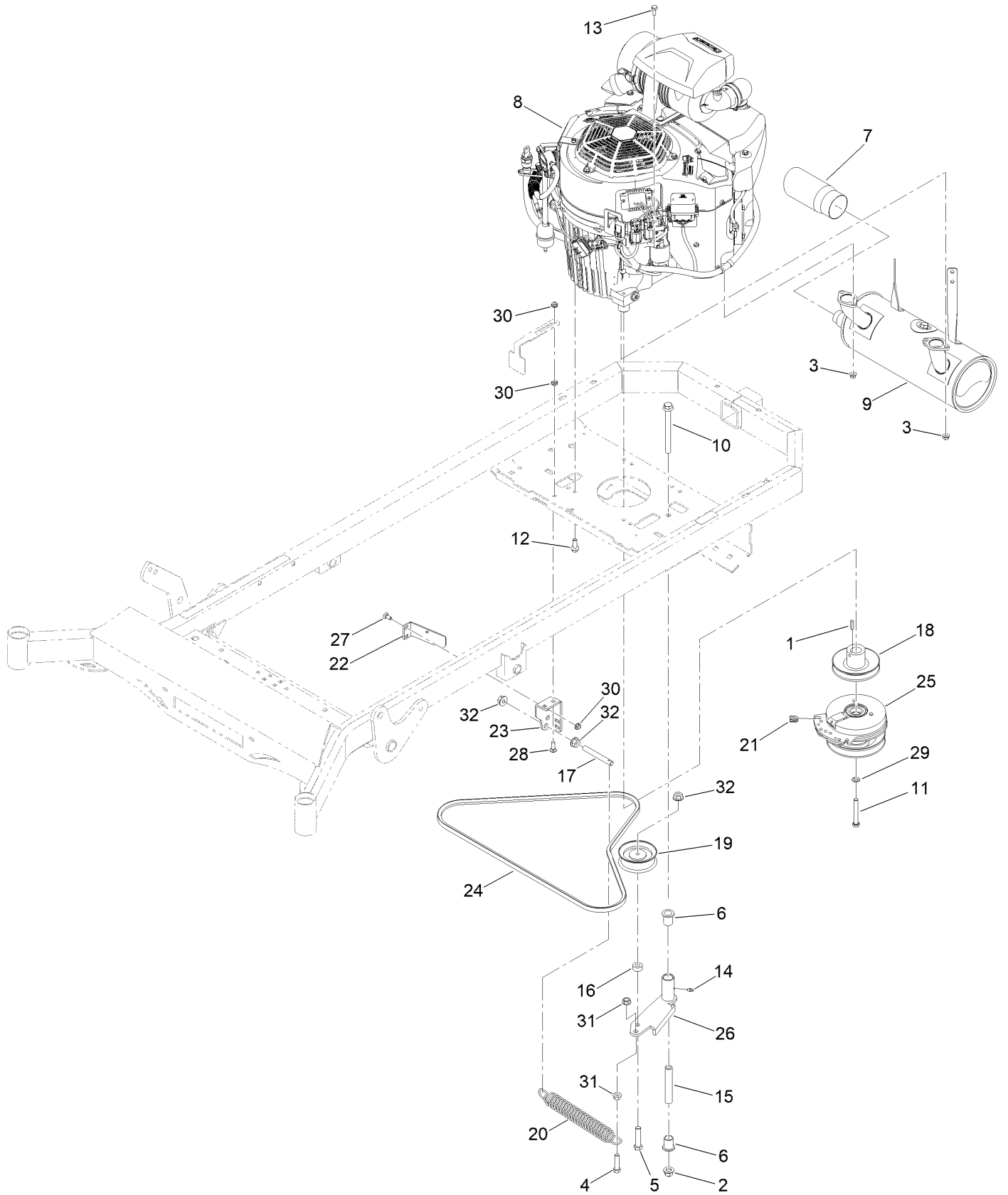




## Decklift Assembly (continued)

<i>Ref.</i>	<i>Part Number</i>	<i>Qty.</i>	<i>Description</i>	<i>Ref.</i>	<i>Part Number</i>	<i>Qty.</i>	<i>Description</i>
1	100-6116	4	Screw-HHF	17	420-0009-00	1	Magnetic Pin For Stand On Mwr
2	135-5694	3	Bushing-Flange	18	434-0001-00	1	Deck Assist Gas Spring
3	135-9063	1	Bushing-Flange	19	439-0059-00-P11	1	Mwr Deck Height Foot Pedal Paint
4	148-0251-P11	1	2024 Deck Height Arm Rt Link	20	439-0752-00-P11	1	2022 Deck Lock Pin Tube Brkt
5	148-0416-P11	1	Link-Decklift	21	439-0753-00-P11	1	2022 Dhi Pin Arm Link Top Brkt
6	148-0418-P11	1	Arm-Decklift Rear (3/8")	22	487-0005-00	2	5/16-18X1.286 Damper Ball Stud (.562 TI)
7	148-0420-P11	1	Arm-Decklift Rear (3/8")	23	618-2023-00	2	3/8In-16 X 2-1/2In GR 8 Carriage
8	148-0422	1	Hex Coupling Nut - Reducer (3/8" To 5/16)	24	618-2068-00	1	3/8 X 3/4In GR 8 CARR Bolt Zinc
9	148-0425-P11	1	Bracket Pin System (Bottom) Painted Grey	25	418-0045-00	4	3/8-16 X 1 Carriage Bolt Yz GR.8
10	148-0428	1	Decal-Height Of Cut	26	413-0020-00	4	3/8-16 Hex Flange Nut W/Serr Zinc Yellow
11	410-0009-00	4	1/2In ID X 3/4In OD X 3/8In Flange Bush	27	3296-45	1	Nut-Hex
12	413-0029-00	4	Nut-Hex	28	413-0022-00	1	Nut-HF
13	413-1005-00	6	1/2-13 Hex Flange 2-Way Rev Cntr L/Nyz	29	32128-49	1	Nut-HHF
14	418-0042-00	1	1/2-13 X 3-1/2 Hex C/S GR 5 Zinc Yellow				
15	418-0095-05	2	(3/8-16 X 3 Carriage Bolt (GR.5) Zc/Yel)				
16	418-0276-00	1	Rr Deck Height Bolt (Machined)				

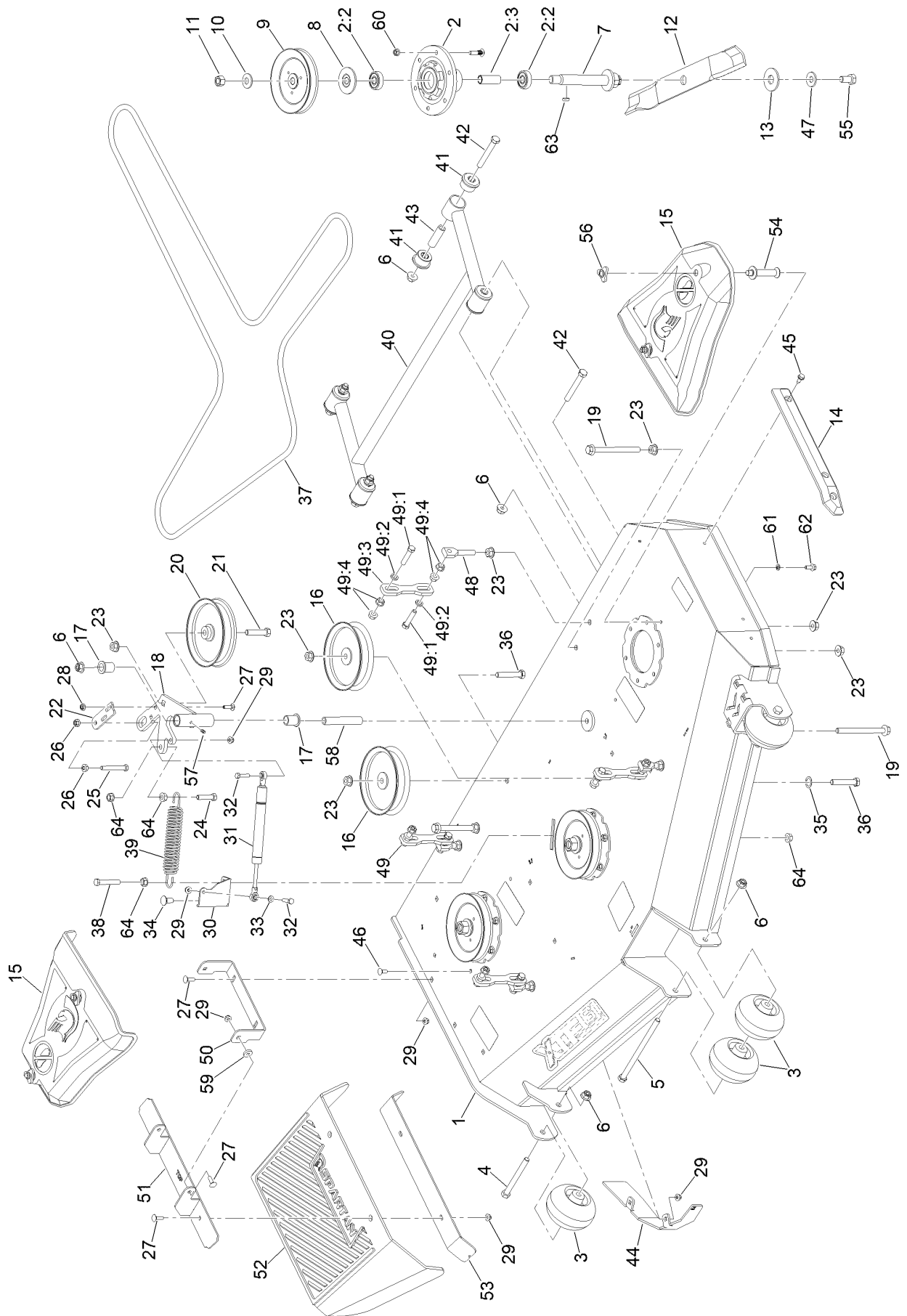
# Engine Assembly



## Engine Assembly (continued)

<i>Ref.</i>	<i>Part Number</i>	<i>Qty.</i>	<i>Description</i>	<i>Ref.</i>	<i>Part Number</i>	<i>Qty.</i>	<i>Description</i>
1	1-807259	1	Key	17	430-0001-00	1	Mwr Pump Idler Spring Tensioner
2	413-0002-00	1	Nut-Lock	18	433-0002-00	1	Mwr Hydraulic Pump Drive Pulley (B-Belt)
3	104-2612	4	Nut-HF	19	433-0012-00	1	4In Diesel And Economy Mwer Idler Pulley
4	324-7	1	Screw-HH	20	434-0007-00	1	Mwr Deck Spring
5	325-9	1	Screw-HH	21	437-0025-00	1	Mwr Clutch Rotation Stop Brkt Sleeve
6	410-0007-00	2	3/4In ID X15/16In OD X 1-1/8In Flng Bush	22	439-0132-00-P11	1	Mwr Clutch Anti Rotation Brkt Painted
7	415-0054-00	1	Mwr Chrome Exhaust Tip	23	439-0244-00-P11	1	Mwr Pump Idler Tensioning Brktpainted
8	415-0088-00	1	Kawasaki Fxt1000V-EFI Engn	24	461-0006-00	1	Mwr Pump Belt Xd B X 69.40In Eff Lngth
9	148-0222	1	Muffler W/ Arrester-6Inod-1.5Intp	25	470-0002-00	1	Warner PTO Clutch
10	418-0009-00	1	1/2-13 X 5-1/2 Hex Flange Bolt GR 8 Zy	26	490-0814-00-P11	1	4In Pump Idler Pulley Arm Assy Paint
11	418-0022-00	1	7/16-20 X 3 Hex C/S GR 8 Zc Yellow	27	418-0008-00	2	Bolt-CARR
12	418-0023-00	4	3/8-16 X 1-1/8 Ind HWH W/Serr Tri Lob Zy	28	418-0010-00	2	Bolt-CARR
13	418-0278-00	1	M8-1.25 X 20MM Hex Flange Bolt Zinc 10.9	29	3253-6	1	Washer-Lock
14	424-0002-00	1	1/4In Drive Type Grease Fitting Yz	30	413-0022-00	6	Nut-HF
15	425-0006-00	1	Mwr Inner Idler Spacer	31	32128-37	2	Nut-HF
16	425-0007-00	1	Mwr Pulley Spacer	32	32128-49	3	Nut-HHF

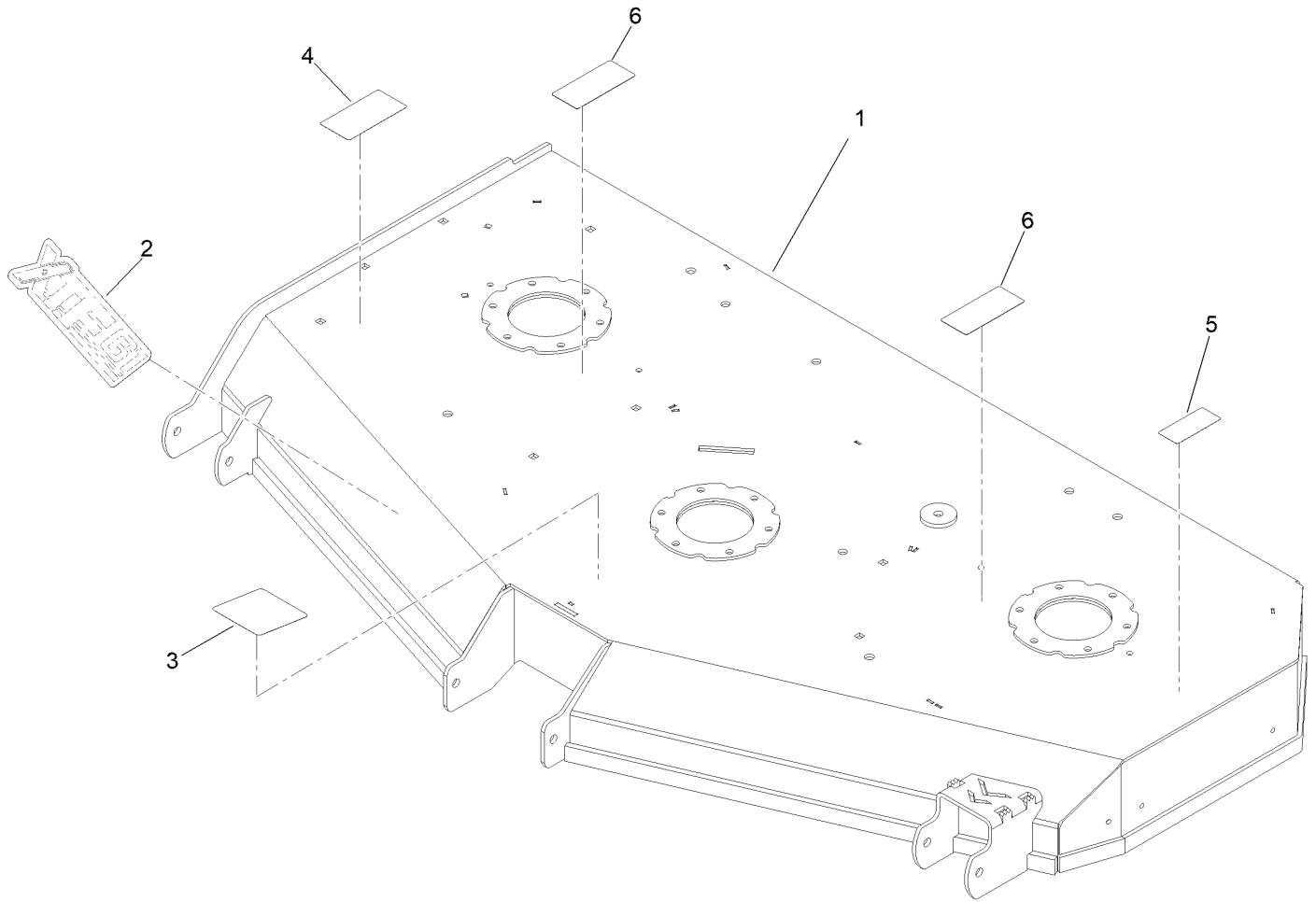
# 61 Inch Cutting Deck Assembly



## 61 Inch Cutting Deck Assembly (continued)

<i>Ref.</i>	<i>Part Number</i>	<i>Qty.</i>	<i>Description</i>	<i>Ref.</i>	<i>Part Number</i>	<i>Qty.</i>	<i>Description</i>
1	148-0787	1	ASM-Deck W/Decals	35	418-0110-00	1	.767ldx1.125Odx.016 THK Trip Wv Washer
2	148-0005	3	Spindle ASM 6" Deck	36	418-0246-00	2	1/2-13 X 2-3/4 Hex Flange Bolt (GR.8) Yz
2:2	116-0720	2	Bearing-Ball	37	461-0002-00	1	61 Deck Belt
2:3	148-0026	1	Spacer, Bearing	38	418-0013-00	1	Bolt-HH
3	422-0061-00	4	Mwr Anti-Scalp Whl W/O Grease Fitting	39	434-0007-00	1	Mwr Deck Spring
4	325-19	2	Screw-HH	40	490-0014-00-P11	1	54In/61In Deck Frame Stabilizer Painted
5	418-0015-00	1	1/2-13 X 8-1/2 Hex C/S GR 2 Zinc Yellow	41	732-2000-00	8	Red A80 Susp Bushing
6	413-0002-00	8	Nut-Lock	42	418-0021-00	4	1/2-13 X 3-3/4 Hex C/S (GR.5) Zc/Yel
7	148-0106	3	Shaft - Spindle	43	732-2001-00	4	UTV A-Arm Bushing Sleeve
8	116-1286	3	Guard,Bearing Top .989	44	148-0208-P11	1	Baffle-Wiper
9	148-0030	3	Pulley	45	9264964	3	Screw-HWH, Thread Cut
10	148-0113	3	M20 Spring Washer (44.5Mmod/ 3.3MM THK)	46	418-0008-00	2	Bolt-CARR
11	148-0111	3	M20X1.5 C8.8 Hex Nut	47	148-0114	3	M16 Spring Washer (39Mmod/ 3.9MM THK)
12	148-0099	3	Blade-Rotary	48	448-0001-00	4	Mwr Deck Height Adjustment Stud
13	148-0108	3	Washer-Hex	49	435-0007-KT	4	Mwr Deck Susp Link Assy
14	429-0001-00	1	Mwr Nylon Deck Guard	49:1	435-0007-00-P11	1	Mwr Deck Susp Link Paint
15	148-0093	2	Cover-Belt	49:2	324-8	2	Screw-HH
16	433-0015-00	2	6-3/4In Idler Pulley 15/16In Spacer Assy	49:3	419-0010-00	2	.443 ID X .749 OD X .125 THK Nylon Black
17	410-0007-00	2	3/4In ID X15/16In OD X 1-1/8In Flng Bush	49:4	32128-37	4	Nut-HF
18	490-0019-00-P11	1	Mwr Deck Idler Pulley Arm Assy Paint	50	439-0111-00-P11	1	Mwr Chute Mtg Brkt Painted
19	418-0009-00	3	1/2-13 X 5-1/2 Hex Flange Bolt GR 8 Zy	51	490-0056-00-P11	1	Rt/Srt Deck Chute Hinge Assy Paint
20	433-0014-00	1	6-3/4In Idler Pulley 7/16In Spacer ASM	52	481-0011-00	1	2020 Rt/Srt Rubber Discharge Chute
21	325-9	1	Screw-HH	53	439-0190-00-P11	1	2020 Deck Chute Hinge Backer Brkt Paint
22	439-0257-00-P11	1	Deck Idler Pulley Belt Retnr Brkt Paint	54	148-0094	4	Pin-Belt Cover
23	32128-49	15	Nut-HHF	55	148-0109	3	M16X1.5-30MM C10.9 Hex Bolt
24	324-7	1	Screw-HH	56	148-0234	4	Nut-Knob
25	323-13	1	Screw-HH	57	424-0002-00	1	1/4In Drive Type Grease Fitting Yz
26	413-0020-00	2	3/8-16 Hex Flange Nut W/Serr Zinc Yellow	58	425-0006-00	1	Mwr Inner Idler Spacer
27	418-0060-00	8	5/16-18 X 1 Carriage Bolt GR 8 Yz	59	419-0006-00	2	.312 ID X .875OD X .1875 THK F/W NYL
28	413-0022-00	2	Nut-HF	60	413-0029-00	18	Nut-Hex
29	413-0027-00	10	Nut-HF, NI	61	3253-4	4	Washer-Lock
30	439-0335-00-P11	1	Deck Belt Idler Damper Mtg Brkt Painted	62	116-7230	4	Screw-HHF
31	434-0009-00	1	Idler Gas Spring	63	148-0118	3	6MM X 6MM X 20MM Rounded Machine Key
32	322-47	2	Screw-HH	64	32128-37	5	Nut-HF
33	413-0016-00	1	.312ldx.625Odx.062 THK Thrust Brg Oi Brz				
34	3232-1	1	Screw-CARR				

# Deck Decal Assembly No. 148-0787

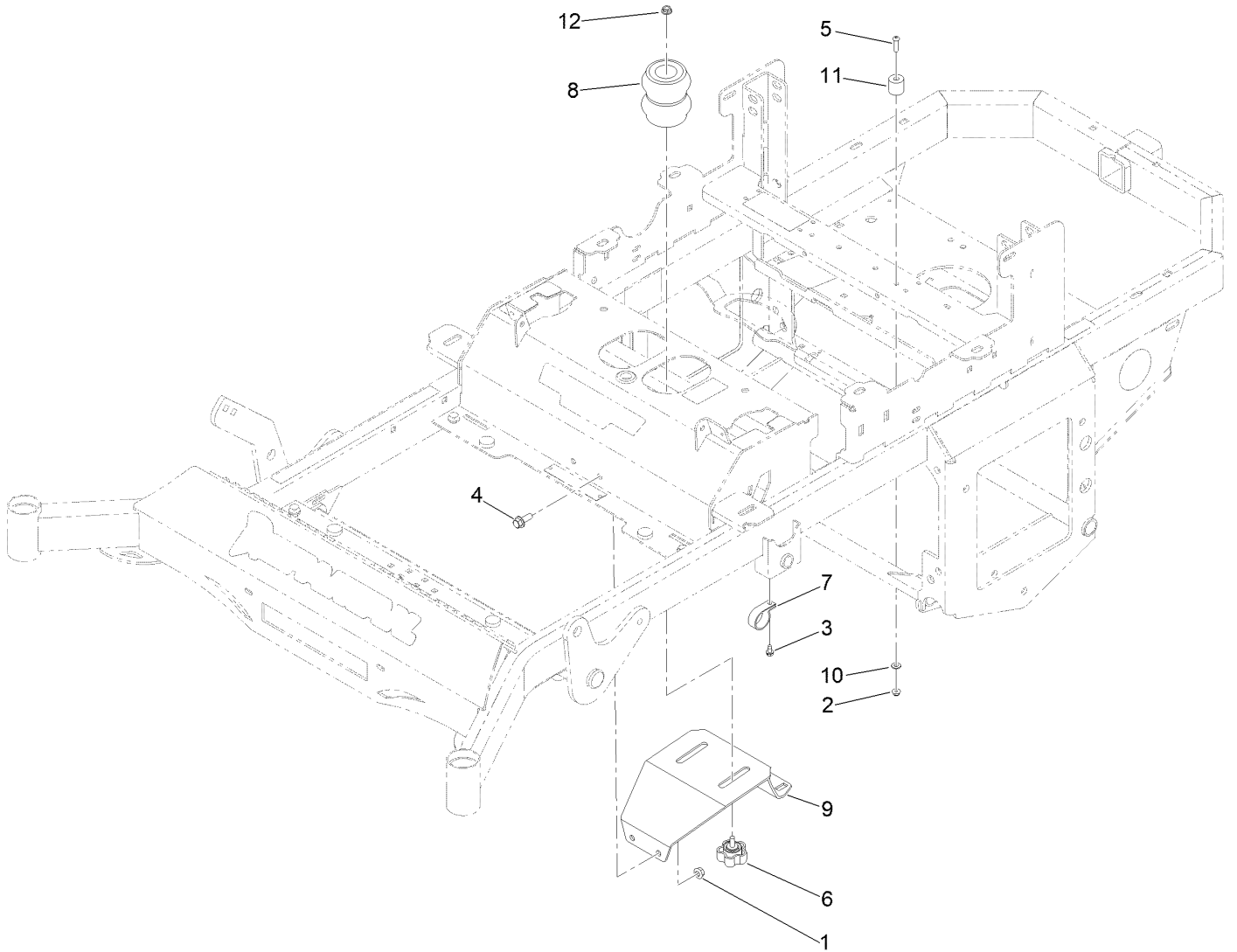


## Deck Decal Assembly No. 148-0787 (continued)

<i>Ref.</i>	<i>Part Number</i>	<i>Qty.</i>	<i>Description</i>	<i>Ref.</i>	<i>Part Number</i>	<i>Qty.</i>	<i>Description</i>
1		1	Deck ASM-61 Painted ●	4	132-0872	1	Decal-Danger, Deck
2	491-0131-00	1	2020 Xtf-61 Decal	5	148-0430	1	Decal-Safety Blade Torque
3	148-0260	1	Decal-Deck Belt Routing	6	125-6127	2	Decal-Rotating Fan Hazard

● Not serviced separately

# Seat Suspension Assembly





## Seat Suspension Assembly (continued)

<i>Ref.</i>	<i>Part Number</i>	<i>Qty.</i>	<i>Description</i>	<i>Ref.</i>	<i>Part Number</i>	<i>Qty.</i>	<i>Description</i>
1	413-0004-00	2	3/8-16 Hex Flange Nut W/Serr Zinc	7	472-0001-00	2	1-1/4In Cushioned Loop Clamp Black
2	104-7201	2	Nut-HF, NI	8	487-0003-00	2	Srt Rr Susp And Seat Ft Elastomer Tcb-3
3	120-9551	2	Screw-HWH	9	490-0021-00-P11	1	Mwr Seat Susp Brkt (Srt) Painted
4	131-2220	2	Screw-HHF	10	515-0038	2	Washer-Flat
5	418-0039-00	2	1/4-20 X 1 Button Socket C/S 18-8 SS	11	729-1000-00	2	Hood Rest Rubber Bumper
6	445-0006-00	2	5/16-18X3/4 SI 5-Lobe Male Knob 1.90 DIA	12	413-0022-00	2	Nut-HF

**Notes:**

**Notes:**

