



RZ HD 54in Mower

Model No. SZHD154691KR

Parts Catalog



Ordering Replacement Parts

To order replacement parts, please supply the part number, the quantity, and the description of each part desired.

Understanding Reference Numbers

Each identified part in an illustration has a reference number. The reference number for a part also appears in the parts list, along with other information about the part.

This catalog uses two special reference number formats, one to indicate parts in a service assembly and another to indicate the quantity of a given part in an illustration.

Service Assembly Reference Numbers

Parts in service assemblies have reference numbers in the form a:b. The a represents the reference number of the entire service assembly and the b represents a sequential number unique to each part within the service assembly.

For example, a wheel assembly might be identified by reference number 6, the tire by 6:1, the valve by 6:2, and the wheel by 6:3. When you order the assembly identified by reference number 6, you receive all parts identified by reference numbers 6:1, 6:2, and 6:3. However, you may also order any part individually. Reference numbers of this type appear in illustration and in parts lists.

Reference Numbers Indicating Quantity

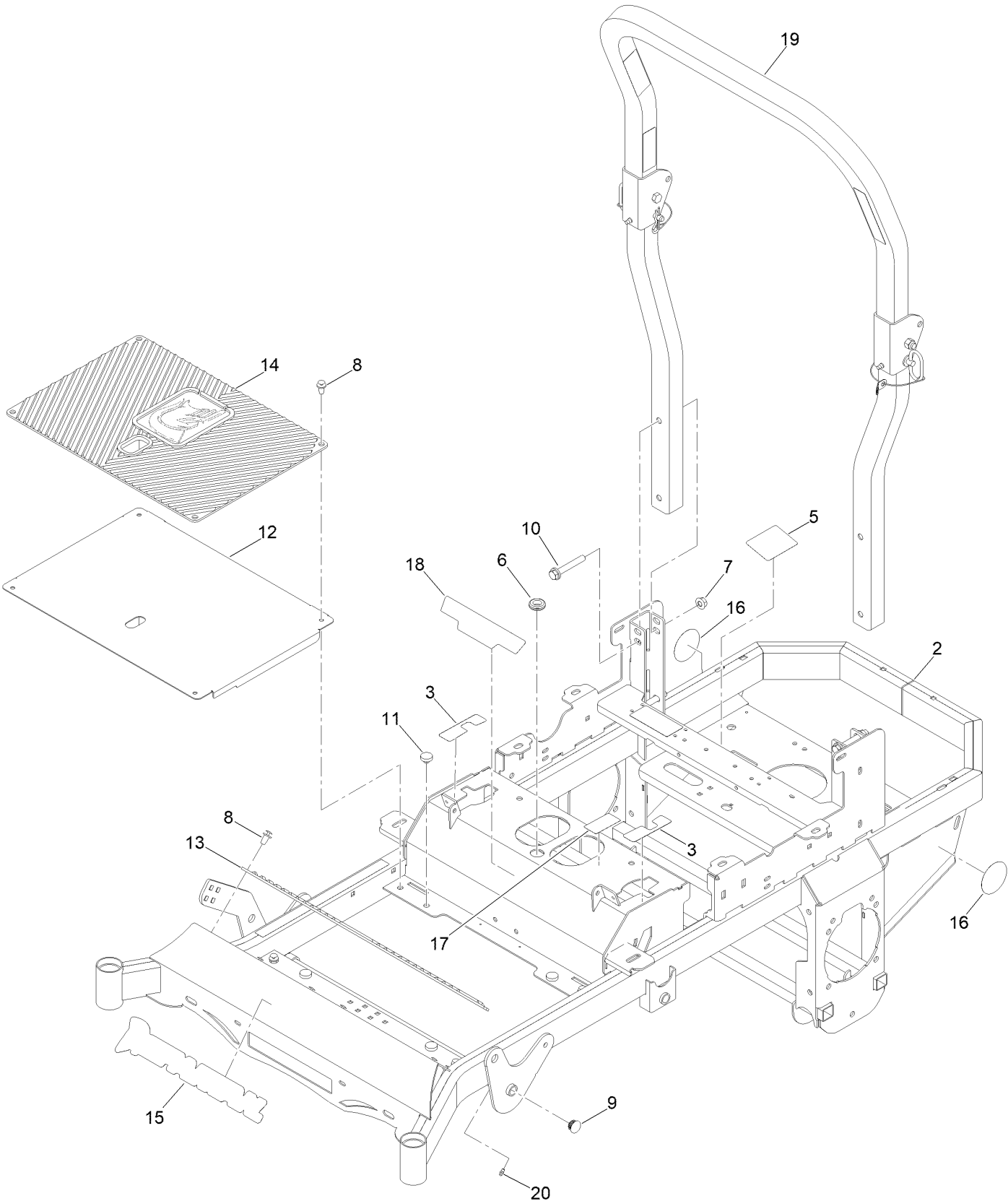
In an illustration, if a reference number indicates more than one part, the reference number has the form nX y. The n represents the quantity of the part, the X is the multiplication symbol, and the y represents the reference number.

For example, in an illustration, the reference number 2X 37 means that two of the parts identified by reference number 37 are indicated.

Contents

Main Frame Assembly	4
Frame with Decals Assembly No. 148-0097	6
Transmission Assembly	8
Body Styling Assembly	10
Fuel Tank Assembly	12
Seat Assembly	14
Motion Control and Parking Brake Assembly	16
Caster Tire Assembly	18
Drive Wheel Assembly	20
Electrical Assembly	22
Decklift Assembly	24
Engine Assembly	26
54 Inch Cutting Deck Assembly	28
Deck Decal Assembly No. 148-0289	30
Seat Suspension Assembly	32

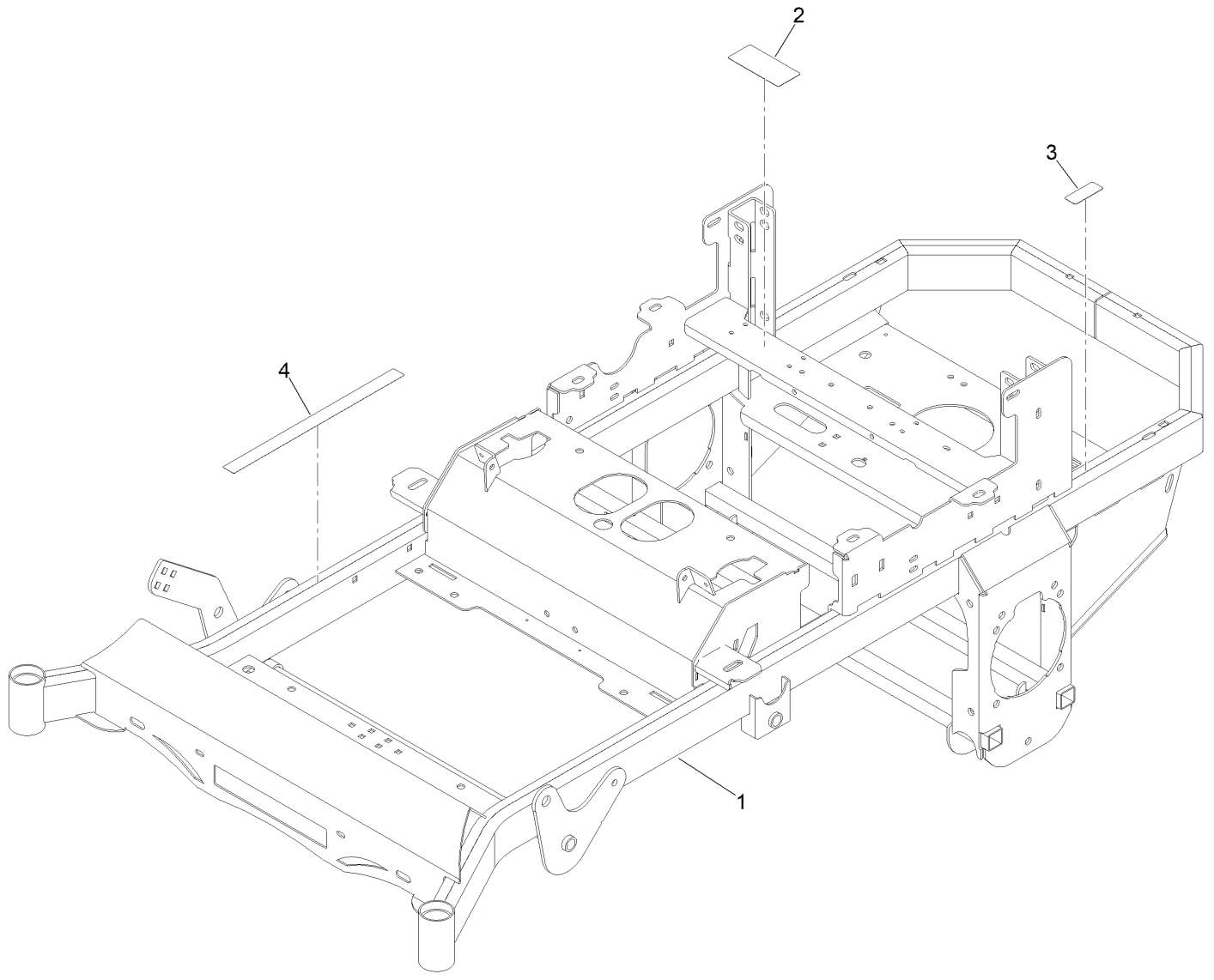
Main Frame Assembly



Main Frame Assembly (continued)

<i>Ref.</i>	<i>Part Number</i>	<i>Qty.</i>	<i>Description</i>	<i>Ref.</i>	<i>Part Number</i>	<i>Qty.</i>	<i>Description</i>
2	148-0097	1	Frame ASM W/Decals	12	439-0114-00-P11	1	Rz Floorboard Painted
3	148-0259	2	Decal-Motion Control	13	481-0005-00	1	Mwr Rubber Foot Rest Mat
5	148-0466	1	Decal-Pump Belt Routing-Parker	14	481-0006-00	1	Mwr Logo Floor Mat
6	240-6	1	Grommet-Rubber	15	491-0037-00	1	Mwr Ft Spartan Logo
7	413-0014-00	4	1/2-13 Hex Stover Locknut GR C Zinc	16	491-0038-00	2	Mwr Parker Pump Decal
8	414-0002-00	10	8MM Push Type Retainer Nylon Black	17	491-0039-00	1	Mwr Seat Weight Capacity Decal
9	414-0016-00	2	1In Round Tube Plug	18	491-0204-00	1	Rz-HD W/Gt Trac Decal
10	418-0019-00	4	Bolt-HF	19	497-0002-00	1	Mwr Fold Down ROPS
11	429-0002-00	4	Push-In Rubber Bumper Mwr Floor	19	497-0003-00	1	Spartan Folding ROPS Boxed
				20	624-1000-00	2	1/4 Drive Type Straight Grease Fittng Zc

Frame with Decals Assembly No. 148-0097

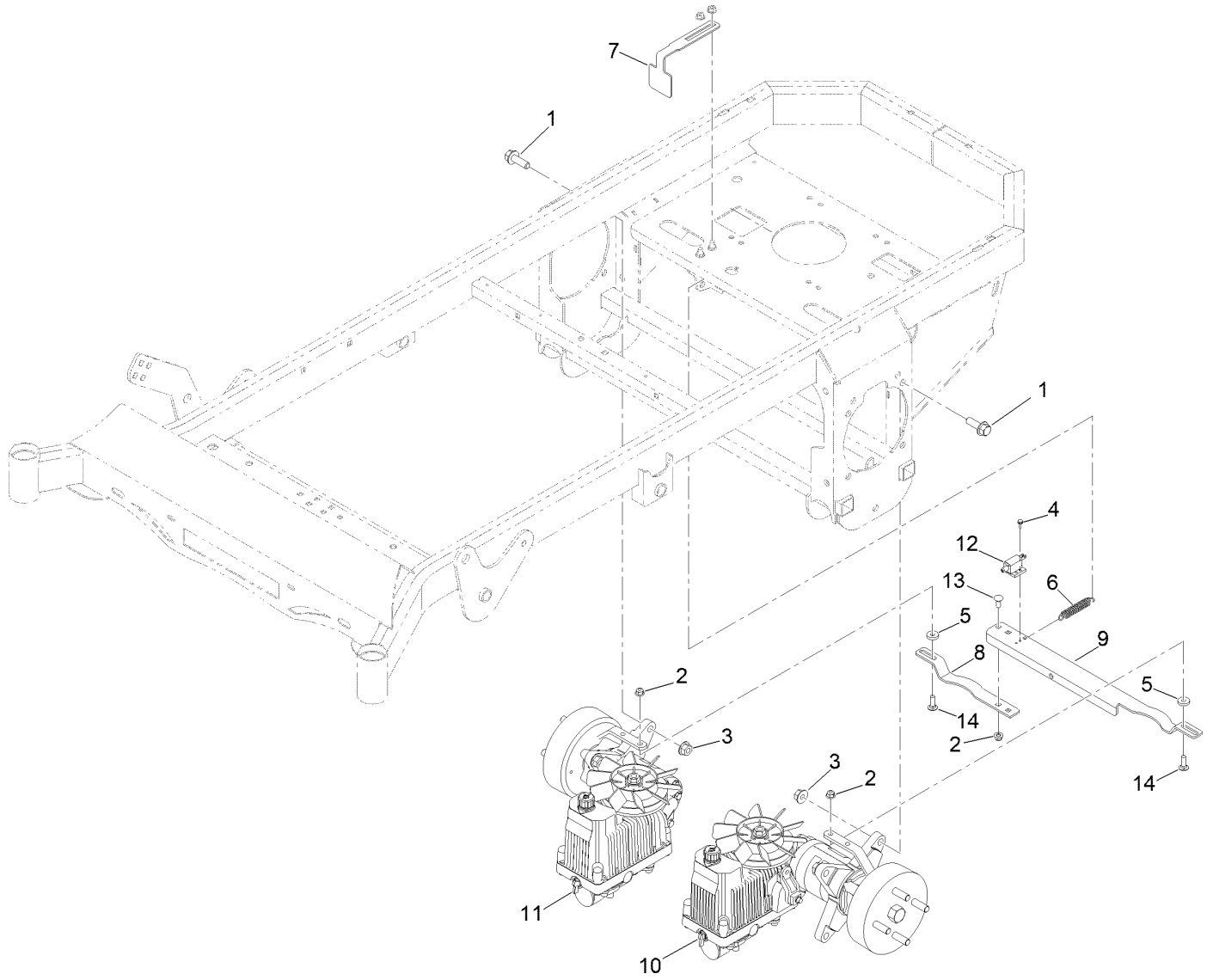


Frame with Decals Assembly No. 148-0097 (continued)

<i>Ref.</i>	<i>Part Number</i>	<i>Qty.</i>	<i>Description</i>	<i>Ref.</i>	<i>Part Number</i>	<i>Qty.</i>	<i>Description</i>
1		1	Frame ASM ●	3	127-0392	1	Decal-Hot Surface
2	125-6127	1	Decal-Rotating Fan Hazard	4	142-7754	1	Decal-Warning

● Not serviced separately

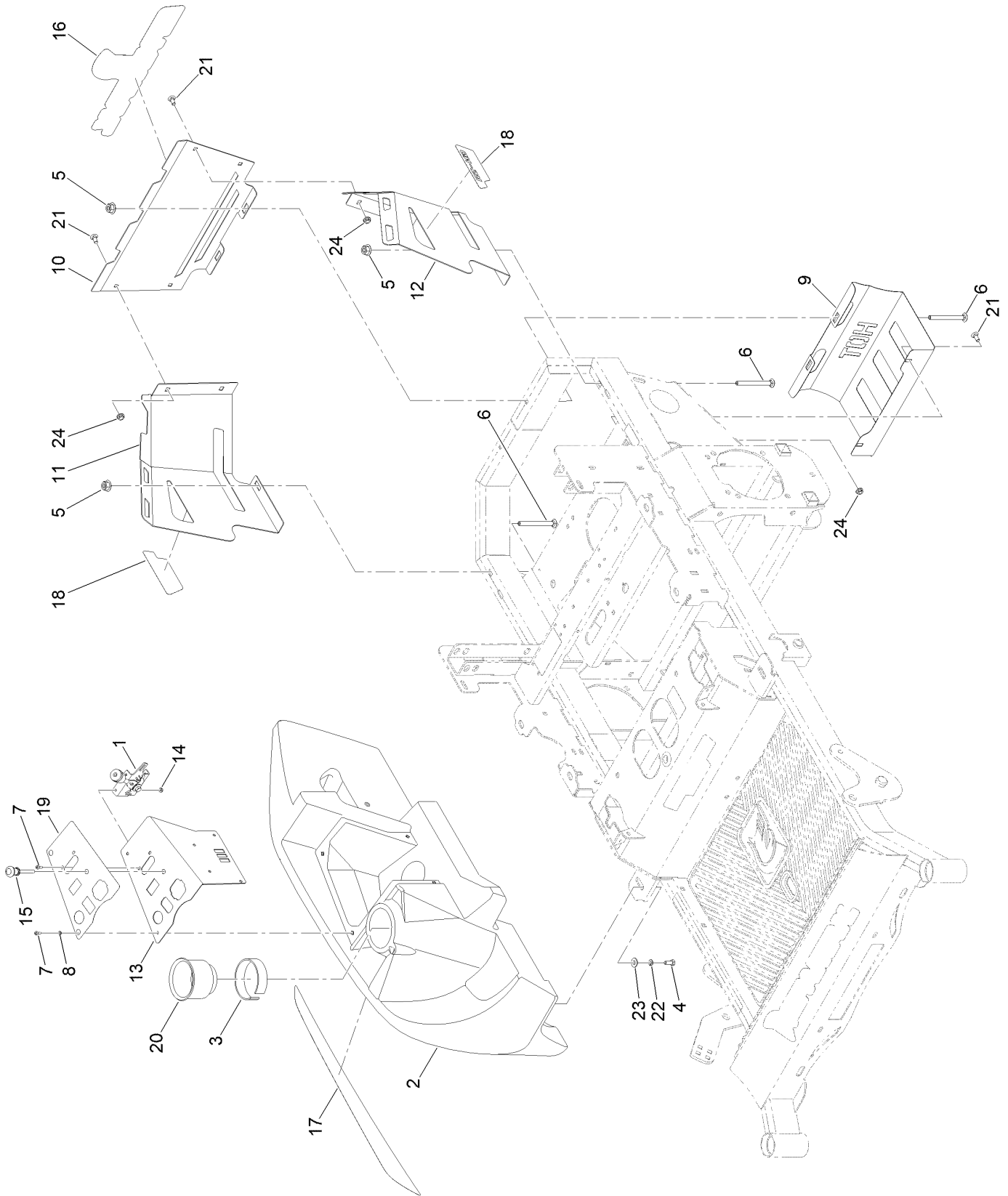
Transmission Assembly



Transmission Assembly (continued)

<i>Ref.</i>	<i>Part Number</i>	<i>Qty.</i>	<i>Description</i>	<i>Ref.</i>	<i>Part Number</i>	<i>Qty.</i>	<i>Description</i>
1	100-6116	8	Screw-HHF	8	439-0606-00-P11	1	Mwr Park Brake Brkt Rt Paint
2	104-8300	4	Nut-HF, NI	9	439-0607-00-P11	1	Mwr Park Brake Brkt Lt Paint
3	32128-49	8	Nut-HHF	10	450-0009-00	1	Hte10 Lt Side Hydrost Transm For Rz Hub
4	418-0032-00	2	8-32 X 1/2 Ind. HWH Slot Type F Tcs Zinc	11	450-0010-00	1	Hte10 Rt Side Hydrost Transm For Rz Hub
5	419-0006-00	2	.312 ID X .875OD X .1875 THK F/W NYL	12	486-0030-00	1	No Plunger Limit Switch
6	434-0003-00	1	Mwr Brake Pedal Release Spring	13	3230-1	2	Bolt-CARR
7	439-0066-00-P11	1	Stand Trans Brake Interlock Brkt Paint	14	3230-2	4	Bolt-CARR

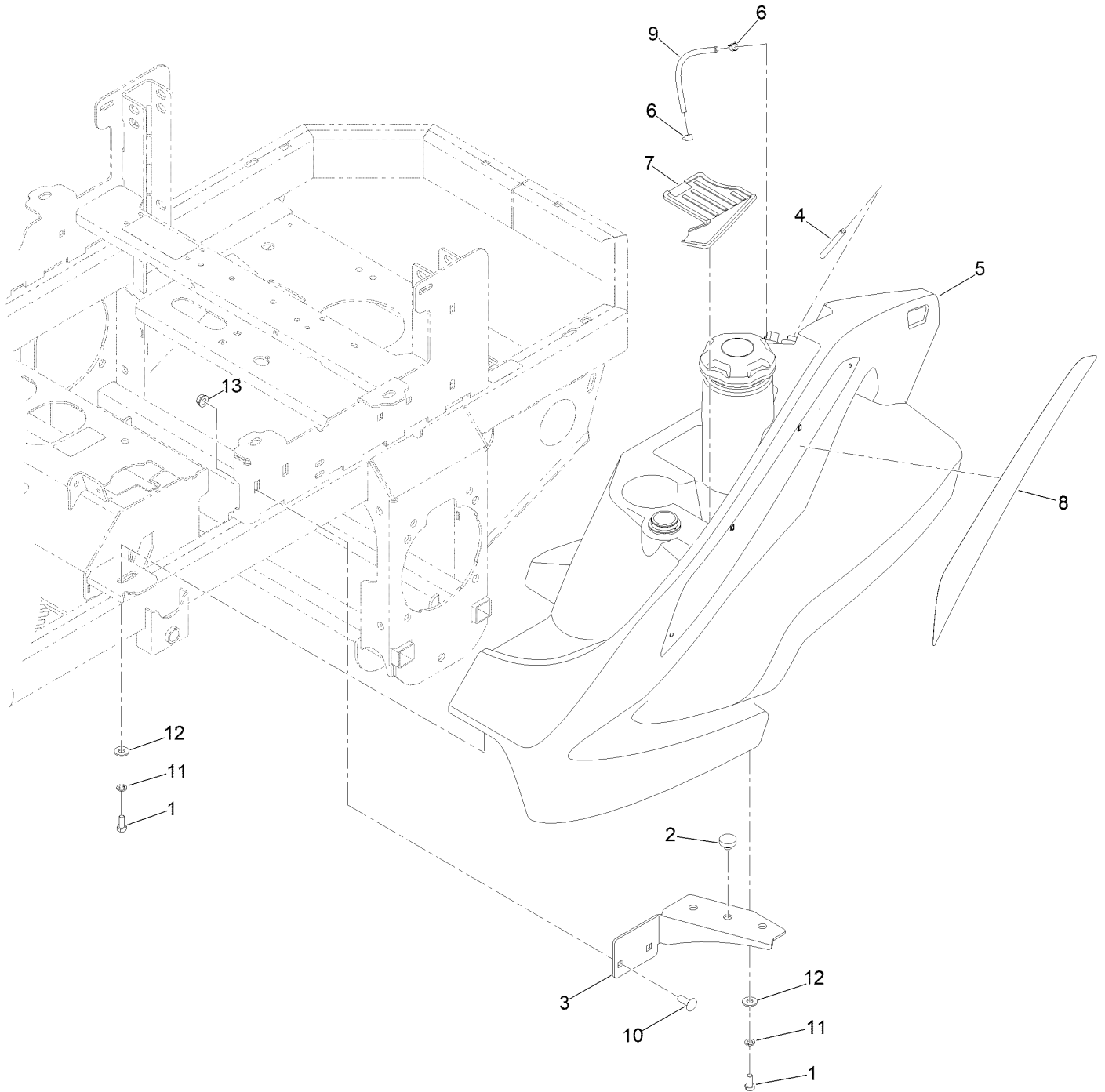
Body Styling Assembly



Body Styling Assembly (continued)

<i>Ref.</i>	<i>Part Number</i>	<i>Qty.</i>	<i>Description</i>	<i>Ref.</i>	<i>Part Number</i>	<i>Qty.</i>	<i>Description</i>
1	110-3145	2	Nut-Lock	12	439-0697-00-P11	1	Engn Cowling Lt Side Rt Tank Upgr Paint
2	148-0307	1	Console W/ Cupholder	13	439-0895-00-P11	1	Control Panel Brkt Indiv Controls Paint
3	148-0770	1	Tape-Foam	14	464-0001-00	1	Mwr Throttle Cable Assy W / Handle
4	322-3	4	Screw-HH	15	464-0002-00	1	Mwr Choke Cable Assm
5	413-0013-00	4	3/8-16 Nylon Insert Flange L/Nut Yz	16	491-0040-00	1	Mwr Rr Spartan Logo
6	418-0018-00	4	3/8-16 X 4 Carriage Bolt Zinc	17	491-0081-00	1	Mwr Fuel Tank Logo Rt Side
7	418-0055-00	6	10-24 X 1/2 Socket C/S 18-8 SS	18	491-0170-00	2	Rz-HD Model Decal
8	419-0011-00	4	#10 Split Lockwasher 18-8 SS	19	491-0233-00	1	Rz-HD/Rt/Srt/Kgz-Xde Keyswtch Consl Decl
9	439-0115-00-P11	1	Rz Mwr Muffler Guard Painted	20	780-2220-00	1	Cup Holder
10	439-0687-00-P11	1	2021 Rz Engn Cowling Cntr Painted	21	3230-1	6	Bolt-CARR
11	439-0696-00-P11	1	Engn Cowling Rt Side Rt Tank Upgr Paint	22	3253-4	4	Washer-Lock
				23	3256-3	4	Washer-Flat
				24	32128-20	6	Nut-HF

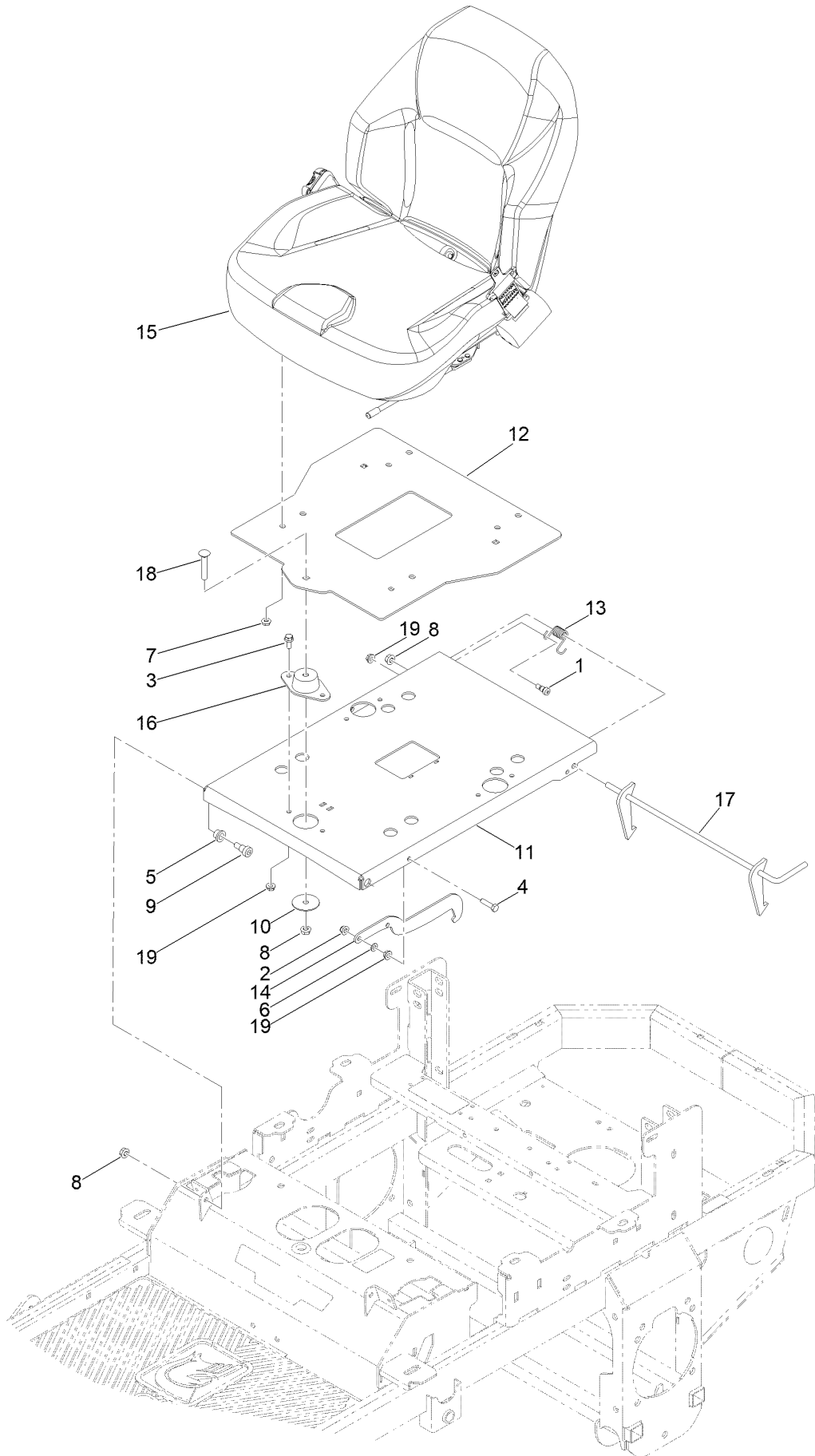
Fuel Tank Assembly



Fuel Tank Assembly (continued)

<i>Ref.</i>	<i>Part Number</i>	<i>Qty.</i>	<i>Description</i>	<i>Ref.</i>	<i>Part Number</i>	<i>Qty.</i>	<i>Description</i>
1	322-3	4	Screw-HH	7	481-0004-00	1	Rubber Tank Storage Compartment Insert
2	429-0002-00	6	Push-In Rubber Bumper Mwr Floor	8	491-0080-00	1	Mwr Fuel Tank Logo Lt Side
3	439-0448-00-P11	1	Rt/Srt Gas Tank Support Painted	9	751-1014-00	10	1/4In SAE J30R7 Bulk Hose 1Ft
4	451-0002-00	10	Mwr Fuel Tank Black 3/16In Vent Tube 1Ft	10	3231-22	2	Screw-CARR
5	467-0001-00	1	Mwr Gasoline Fuel Tank Assy	11	3253-4	4	Washer-Lock
6	472-0004-00	2	1/2In (#8) Hose Clamp	12	3256-3	4	Washer-Flat
				13	3290-357	2	Nut-HSF

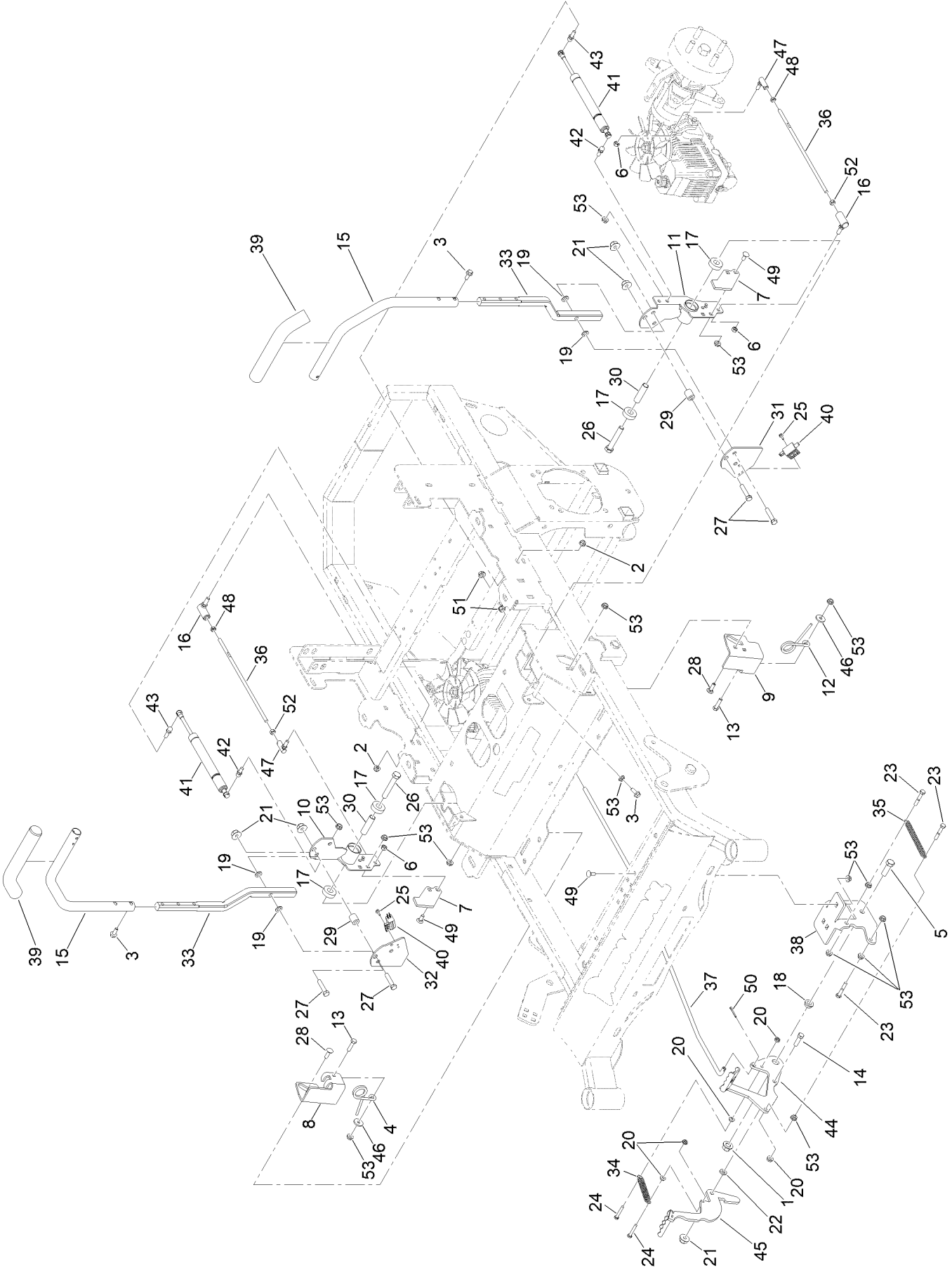
Seat Assembly



Seat Assembly (continued)

<i>Ref.</i>	<i>Part Number</i>	<i>Qty.</i>	<i>Description</i>	<i>Ref.</i>	<i>Part Number</i>	<i>Qty.</i>	<i>Description</i>
1	1-809056	1	Screw-HSH Shldr	11	426-0232-00-P11	1	2019 Upgrade Seat Base Plate Paint
2	104-8300	1	Nut-HF, NI	12	426-0231-00-P11	1	2019 Upgrade Seat Plate Paint
3	116-7230	6	Screw-HHF	13	434-0004-00	1	Mwr Seat Latch Spring
4	322-47	1	Screw-HH	14	439-0065-00-P11	1	Mwr Seat Latch Hook Paint
5	410-0010-00	2	1/2In ID X 5/8In OD X 1/2In Flange Bush	15	471-0026-00	1	2020 Rz-HD Seat
6	413-0016-00	1	.312Idx.625Odx.062 THK Thrust Brg Oi Brz	16	487-0007-00	3	Floating Seat Damper-Stiffer
7	413-0019-00	4	5/16-18 Nylon Insert Flange L/Nut Zc	17	490-0011-61	1	Mwr Seat Latch Release Assy Abc
8	413-0029-00	6	Nut-Hex	18	618-2023-00	3	3/8In-16 X 2-1/2In GR 8 Carriage
9	418-0038-00	2	1/2 X 1/2 Socket Shoulder Bolt Zc Yellow	19	32128-20	8	Nut-HF
10	419-0022-00	3	3/8 X 2In OD Fender Washer Yz				

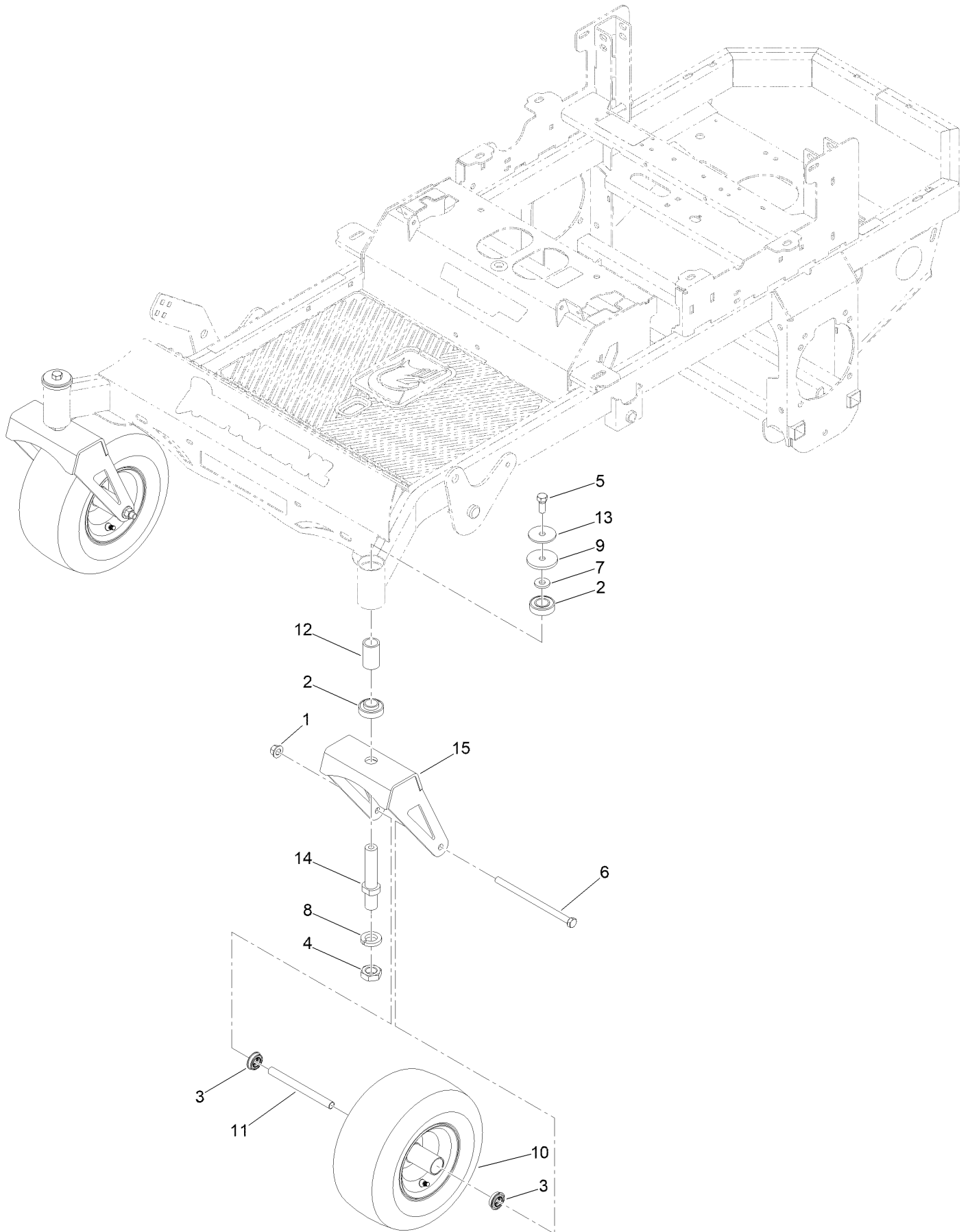
Motion Control and Parking Brake Assembly



Motion Control and Parking Brake Assembly (continued)

<i>Ref.</i>	<i>Part Number</i>	<i>Qty.</i>	<i>Description</i>	<i>Ref.</i>	<i>Part Number</i>	<i>Qty.</i>	<i>Description</i>
1	99-5107	1	Nut-Lock	28	418-0060-00	4	5/16-18 X 1 Carriage Bolt GR 8 Yz
2	104-8300	2	Nut-HF, NI	29	425-0003-00	4	Mwr Drive Arm Spacer
3	116-7230	6	Screw-HHF	30	425-0004-00	2	Mwr Drive Arm Hub / Deck Lift Arm Spacer
4	138-7539	1	Spring-Torsion	31	426-0002-00-P11	1	Lt Control Arm Limit Switch Plate Paint
5	139-2631	1	Screw-HH	32	426-0003-00-P11	1	Rt Control Arm Limit Switch Plate Paint
6	148-0178	4	5/16-24 NYL INS L/N GR.8 Zc/Yel	33	431-0001-00	2	Height Adjustable Control Arm
7	148-0185-P11	2	Reverse Detent Kick Plate	34	434-0003-00	1	Mwr Brake Pedal Release Spring
8	148-0186-P11	1	Reverse Dentent Spring Base (RH)	35	434-0015-00	1	2020 Mwr Brake Pedal Tension Spring
9	148-0187-P11	1	Reverse Dentent Spring Base (LH)	36	435-0002-00	2	Trans Drive Arm Linkage Standard Trans
10	148-0245-P11	1	Motion Control Brkt	37	435-0004-00	1	Mwr Brake Linkage
11	148-0246-P11	1	Motion Control Brkt	38	439-0009-00-P11	1	Mwr Frame Brake Mtg Brkt Paint
12	148-0262	1	Spring- Lt Reverse Detent	39	484-0001-00	2	Control Arm Handle Grip
13	322-47	2	Screw-HH	40	486-0030-00	2	No Plunger Limit Switch
14	323-7	1	Screw-HH	41	487-0001-00	2	Control Arm Damper
15	403-0020-10-P11	2	Mower Drive Handle Tube Abc	42	487-0005-00	2	5/16-18X1.286 Damper Ball Stud (.562 TI)
16	410-0002-00	2	Control Arm Rod End Lt	43	487-0008-00	2	5/16-18X1.286 Damper Ball Stud (.562 TI)
17	410-0005-00	4	5/8In ID X 1-3/8In OD X 7/16In THK Brg	44	490-0016-00-P11	1	Mwr Brake Lock Lever Assy Painted
18	410-0009-00	1	1/2In ID X 3/4In OD X 3/8In Flange Bush	45	490-0017-00-P11	1	Mwr Brake Unlock Lever Assy Painted
19	410-0011-00	4	3/8 X 3/4 Bronze Washer	46	619-4004-00	2	Striker Post Fender Washer
20	413-0012-00	4	1/4-20 Hex Flange Nut	47	2411-33	2	Balljoint-RH (W/Grommet)
21	413-0013-00	7	3/8-16 Nylon Insert Flange L/Nut Yz	48	3220-20	2	Nut-Jam
22	413-0052-00	1	3/8 ID X 3/4 OD X .125 THK Bronze Washer	49	3230-1	9	Bolt-CARR
23	418-0027-00	3	Bolt-HH	50	3272-11	1	Pin-Cotter
24	418-0029-00	2	1/4-20 X 1-1/4 Hex C/S GR 2 Zinc	51	3290-357	2	Nut-HSF
25	418-0032-00	4	8-32 X 1/2 Ind. HWH Slot Type F Tcs Zinc	52	09207	2	Nut
26	418-0050-00	2	1/2-13 X 3 Hex C/S GR 5 Zinc W/Loctite	53	32128-20	23	Nut-HF
27	418-0051-00	6	3/8-16 X 1-3/4 Hex C/S GR 2 Zinc				

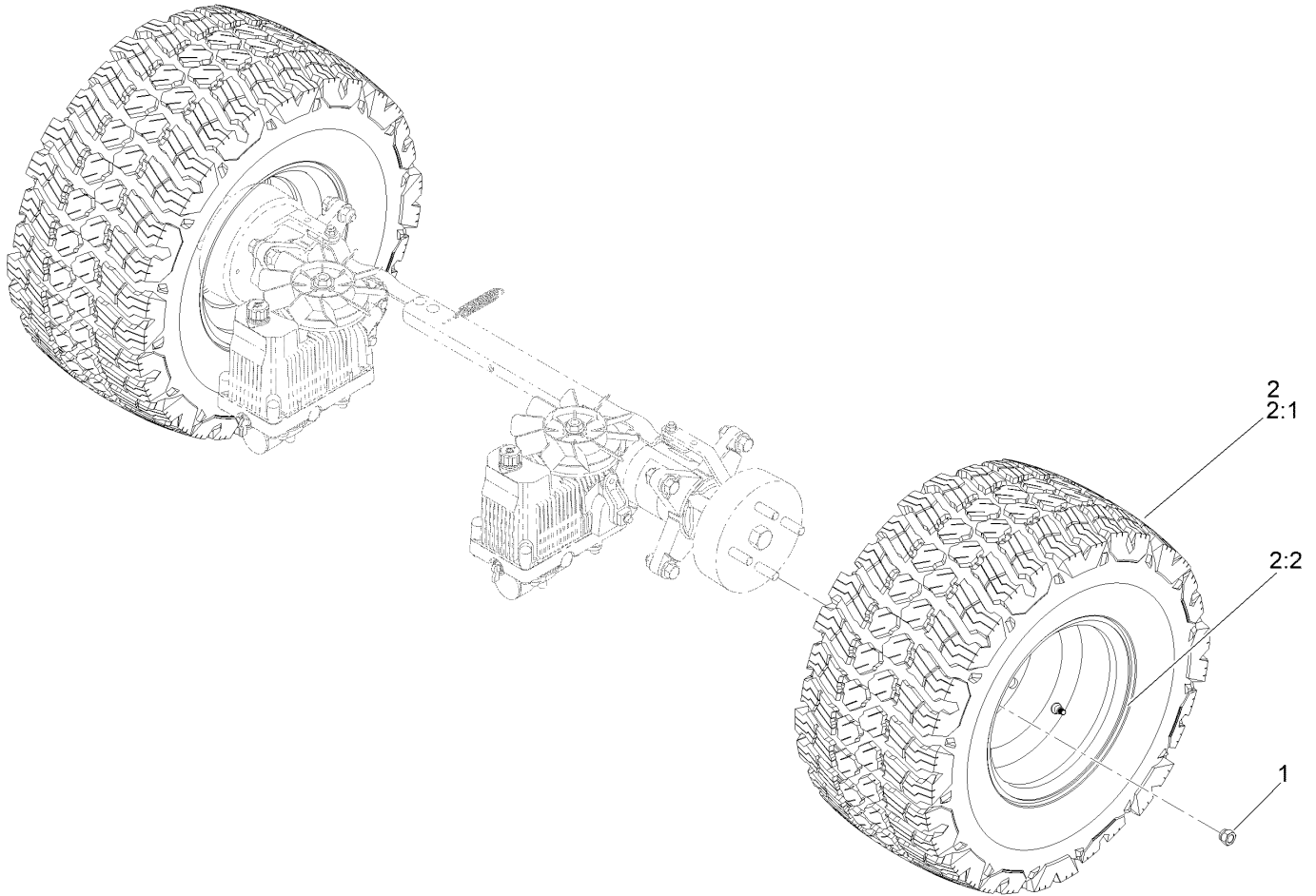
Caster Tire Assembly



Caster Tire Assembly (continued)

<i>Ref.</i>	<i>Part Number</i>	<i>Qty.</i>	<i>Description</i>	<i>Ref.</i>	<i>Part Number</i>	<i>Qty.</i>	<i>Description</i>
1	99-5107	2	Nut-Lock	8	419-0024-00	2	1In L/W Med Split Zc
2	103-3540	4	Bearing-Ball	9	419-0025-00	2	Ft Hub Plastic Washer
3	410-0018-00	4	Rz Ft Wheel Bearing	10	422-0027-00	2	Rz/Rt Pro Ft Tire
4	413-0063-00	2	Nut-Hex				Assy-Smooth Tread
5	418-0002-00	2	1/2-20 X 1-1/4 Hex Flange	11	425-0010-00	2	Mwr Ft Wheel Spanner
			Bolt GR 8 Yz	12	425-0011-00	2	Caster Fork Shaft Bearing
6	418-0003-00	2	1/2-13 X 8-1/2 Hex C/S GR				Spacer
			5 Zinc Yellow	13	426-0006-00-P11	2	Mwr Caster Shaft Washer
7	419-0003-00	2	1/2 Fender Washer 1-1/4In	14	437-0019-00	2	Mwr Caster Shaft
			OD Zinc	15	490-0046-00-P11	2	Rz Caster Fork ASM

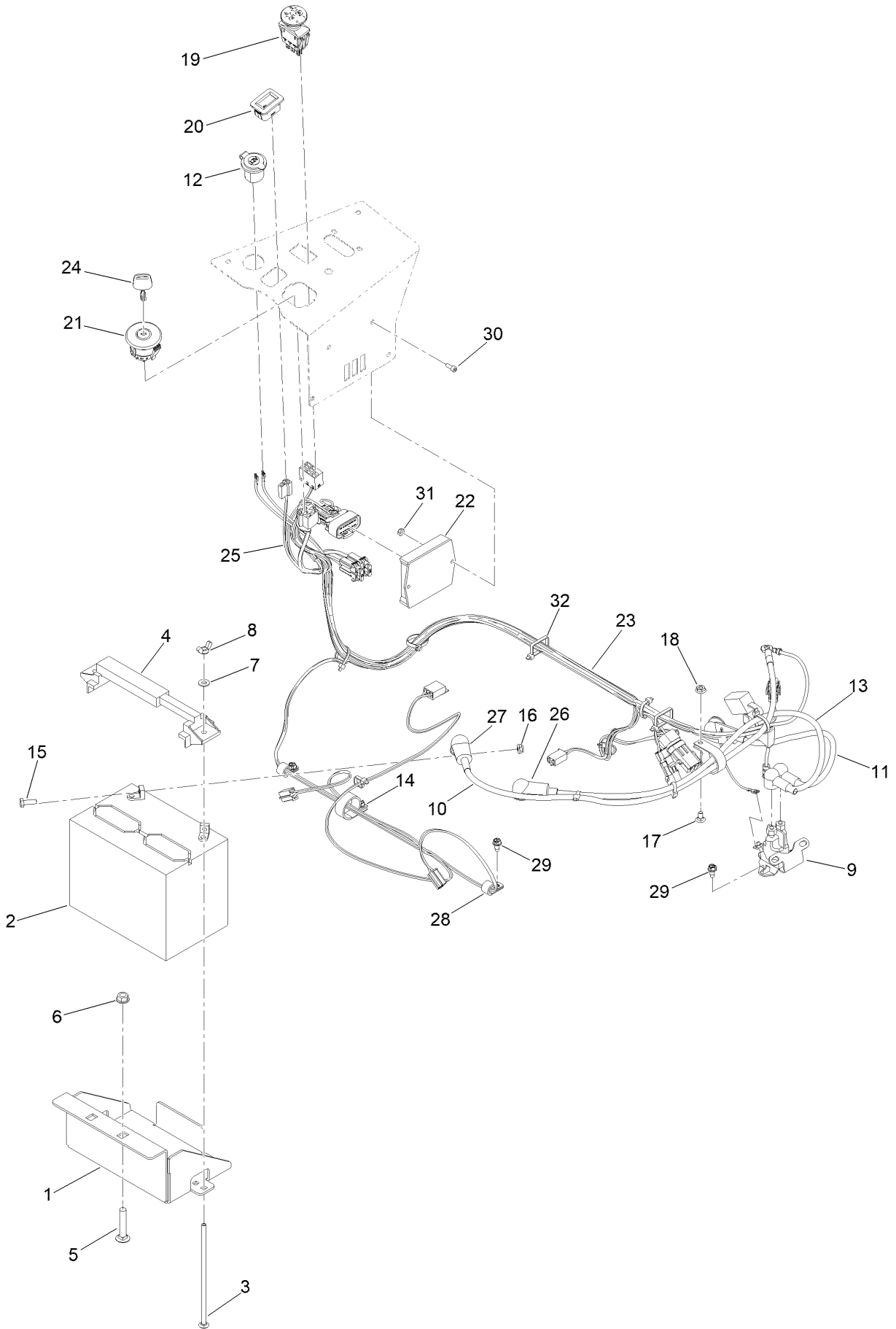
Drive Wheel Assembly



Drive Wheel Assembly (continued)

<i>Ref.</i>	<i>Part Number</i>	<i>Qty.</i>	<i>Description</i>	<i>Ref.</i>	<i>Part Number</i>	<i>Qty.</i>	<i>Description</i>
1	413-0015-00	8	1/2-20 Lugnut	2:1	422-0039-00	1	Vs5010-2212R104 Tire
2	422-0037-00	2	Rz Rr 22X12-R10 Soft Ride And Wheel ASM	2:2	422-0059-00	1	10X8 Steel Wheel

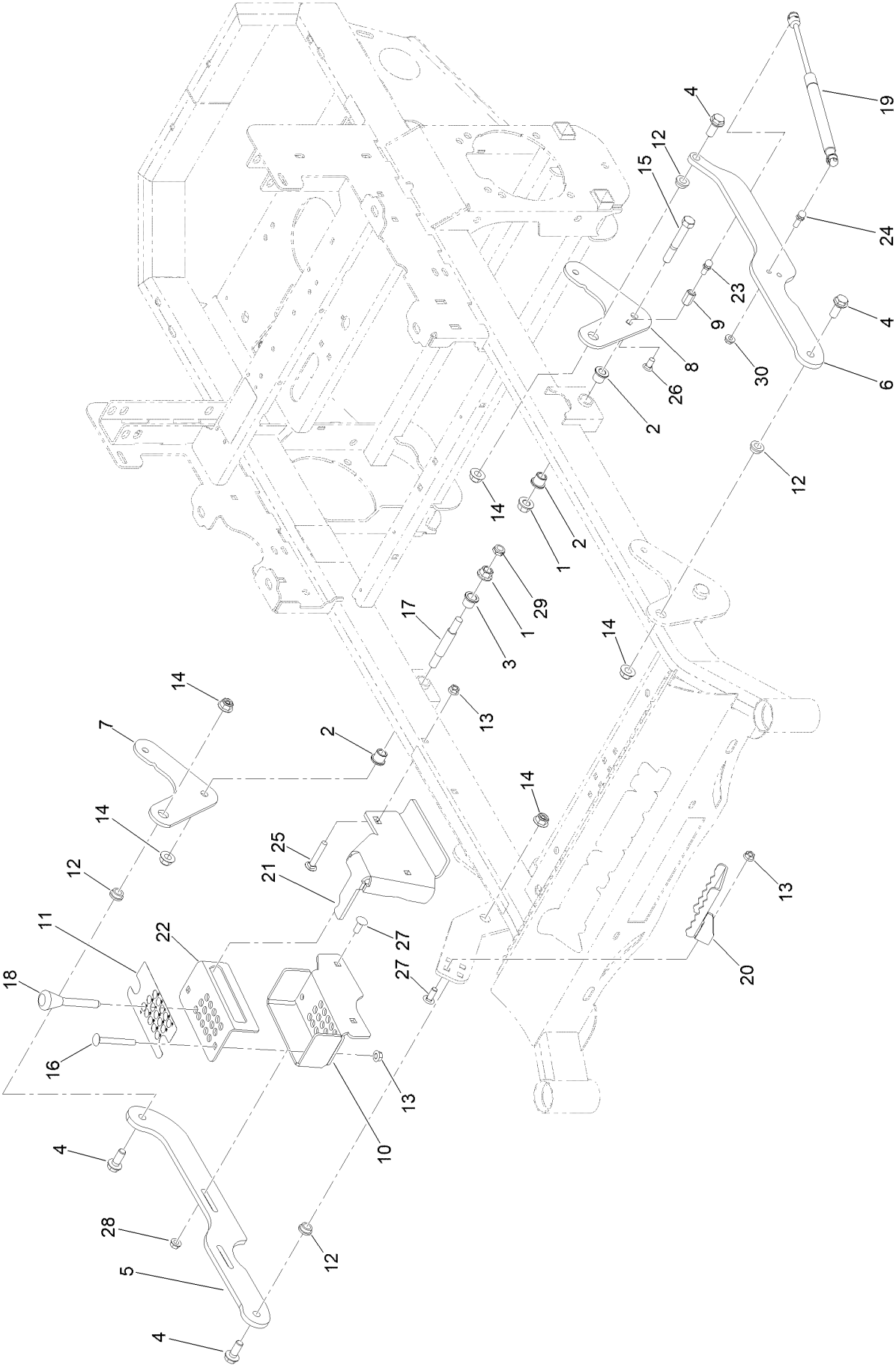
Electrical Assembly



Electrical Assembly (continued)

<i>Ref.</i>	<i>Part Number</i>	<i>Qty.</i>	<i>Description</i>	<i>Ref.</i>	<i>Part Number</i>	<i>Qty.</i>	<i>Description</i>
1	439-0008-00-P11	1	Mwr Battery Box	18	413-0012-00	1	1/4-20 Hex Flange Nut
2	468-1004-00	1	12 Volt Start Battery 300CCA	19	486-0060-00	1	PTO Switch
3	418-0034-00	2	1/4-20 X 7 Carriage Bolt Zinc	20	486-0061-00	1	Hour Meter
4	443-0001-00	1	Battery Hold Down	21	486-0062-00	1	Ignition Switch
5	3231-6	2	Screw-CARR	22	486-0063-00	1	Interlock Module
6	3290-357	2	Nut-HSF	23	486-0011-00	1	Briggs 25HP/27HP/ 726Cc Harness
7	515-0038	2	Washer-Flat	24	486-0065-00	1	2023 Mwr Key
8	1-803038	2	Wingnut	25	486-0064-00	1	Mwr Keyswitch Jumper Harness
9	486-0006-00	1	Heavy Duty Start Solenoid	26	436-0002-00	2	3.15 Lgth Straight Insul Term Cover Red
10	486-0017-00	1	Mwr Negative Cable 28	27	436-0003-00	1	Straight Insulating Terminal Cover
11	486-0018-00	1	Mwr Start Wire 12	28	2412-73	2	Clamp-R
12	677-2075-00	1	12 Volt Auxilliary Plug	29	120-9551	5	Screw-HWH
13	486-0016-00	1	Mwr Positive Battery Cable 25In	30	418-0055-00	2	10-24 X 1/2 Socket C/S 18-8 SS
14	472-0001-00	2	1-1/4In Cushioned Loop Clamp Black	31	110-3145	2	Nut-Lock
15	321-4	2	Screw-HH	32	3290-378	10	Tie-Cable
16	104-7201	2	Nut-HF, NI				
17	3229-10	1	Screw-CARR				

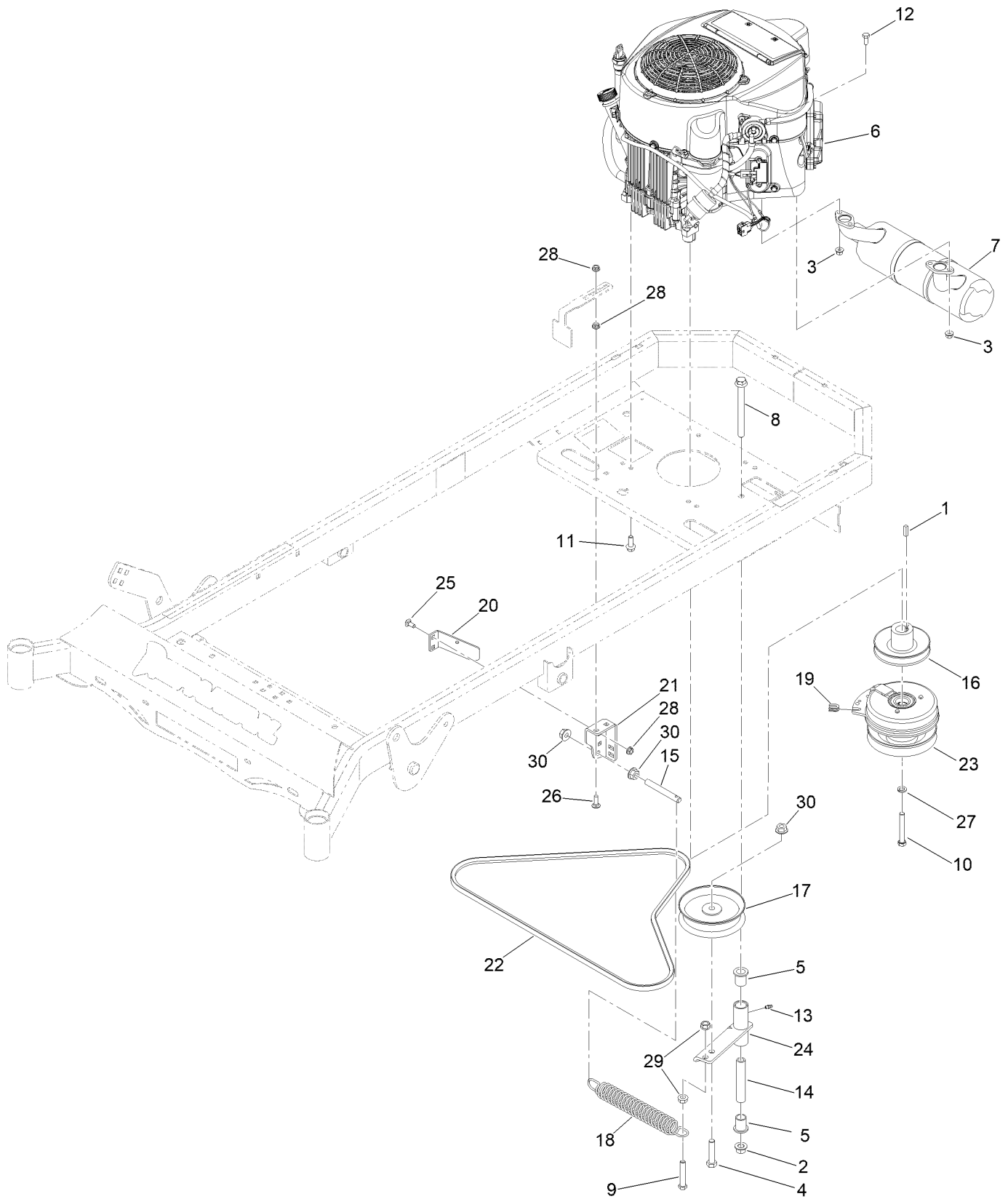
Decklift Assembly



Decklift Assembly (continued)

<i>Ref.</i>	<i>Part Number</i>	<i>Qty.</i>	<i>Description</i>	<i>Ref.</i>	<i>Part Number</i>	<i>Qty.</i>	<i>Description</i>
1	99-5107	2	Nut-Lock	17	418-0276-00	1	Rr Deck Height Bolt (Machined)
2	135-5694	3	Bushing-Flange	18	420-0009-00	1	Magnetic Pin For Stand On Mwr
3	135-9063	1	Bushing-Flange	19	434-0008-00	1	Rz Deck Assist Gas Spring
4	148-0095	4	1/2-13X1.25In Hex Flange Bolt (GR.8) Yz	20	439-0059-00-P11	1	Mwr Deck Height Foot Pedal Paint
5	148-0251-P11	1	2024 Deck Height Arm Rt Link	21	439-0752-00-P11	1	2022 Deck Lock Pin Tube Brkt
6	148-0416-P11	1	Link-Decklift	22	439-0753-00-P11	1	2022 Dhi Pin Arm Link Top Brkt
7	148-0419-P11	1	Arm-Decklift Rear (1/4")	23	487-0005-00	1	5/16-18X1.286 Damper Ball Stud (.562 TI)
8	148-0421-P11	1	Arm-Decklift Rear (1/4")	24	487-0008-00	1	5/16-18X1.286 Damper Ball Stud (.562 TI)
9	148-0422	1	Hex Coupling Nut - Reducer (3/8" To 5/16)	25	618-2023-00	2	3/8In-16 X 2-1/2In GR 8 Carriage
10	148-0425-P11	1	Bracket Pin System (Bottom) Painted Grey	26	618-2068-00	1	3/8 X 3/4In GR 8 CARR Bolt Zinc
11	148-0428	1	Decal-Height Of Cut	27	3231-22	4	Screw-CARR
12	410-0009-00	4	1/2In ID X 3/4In OD X 3/8In Flange Bush	28	3290-357	2	Nut-HSF
13	413-0029-00	6	Nut-Hex	29	3296-45	1	Nut-Hex
14	413-1005-00	5	1/2-13 Hex Flange 2-Way Rev Cntr L/Nyz	30	32128-20	1	Nut-HF
15	418-0042-00	1	1/2-13 X 3-1/2 Hex C/S GR 5 Zinc Yellow				
16	418-0095-05	2	(3/8-16 X 3 Carriage Bolt (GR.5) Zc/Yel)				

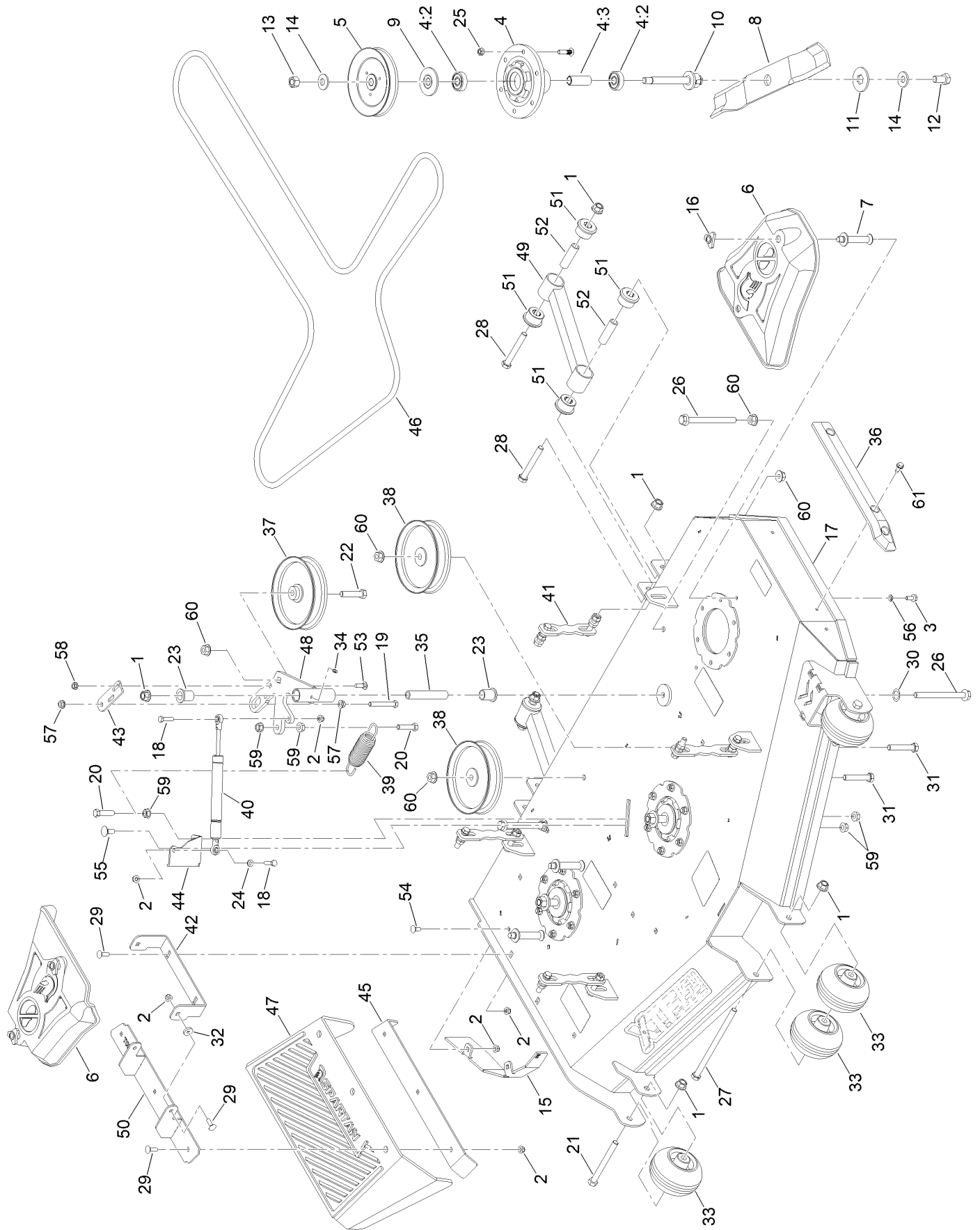
Engine Assembly



Engine Assembly (continued)

<i>Ref.</i>	<i>Part Number</i>	<i>Qty.</i>	<i>Description</i>	<i>Ref.</i>	<i>Part Number</i>	<i>Qty.</i>	<i>Description</i>
1	1-807259	1	Key	16	433-0002-00	1	Mwr Hydraulic Pump Drive Pulley (B-Belt)
2	99-5107	1	Nut-Lock	17	433-0013-00	1	5-3/4In Idler Pulley 7/16In Spacer Assy
3	104-2612	4	Nut-HF	18	434-0007-00	1	Mwr Deck Spring
4	325-9	1	Screw-HH	19	437-0025-00	1	Mwr Clutch Rotation Stop Brkt Sleeve
5	410-0007-00	2	3/4In ID X15/16In OD X 1-1/8In Flng Bush	20	439-0132-00-P11	1	Mwr Clutch Anti Rotation Brkt Painted
6	415-0021-00	1	Kawasaki Fr691V Engn	21	439-0244-00-P11	1	Mwr Pump Idler Tensioning Brktpainted
7	415-0074-00	1	2019 Exhaust Syst For Kawi Fr Fs And Ft	22	461-0004-00	1	Mwr Pump Belt Rt A X 68.25In Eff Lngth
8	418-0009-00	1	1/2-13 X 5-1/2 Hex Flange Bolt GR 8 Zy	23	470-0002-00	1	Warner PTO Clutch
9	418-0013-00	1	Bolt-HH	24	490-0018-00-P11	1	Mwr Pump Idler Assy Painted
10	418-0022-00	1	7/16-20 X 3 Hex C/S GR 8 Zc Yellow	25	3230-1	2	Bolt-CARR
11	418-0023-00	4	3/8-16 X 1-1/8 Ind HWH W/Serr Tri Lob Zy	26	3230-2	2	Bolt-CARR
12	418-0278-00	1	M8-1.25 X 20MM Hex Flange Bolt Zinc 10.9	27	3253-6	1	Washer-Lock
13	424-0002-00	1	1/4In Drive Type Grease Fitting Yz	28	32128-20	6	Nut-HF
14	425-0006-00	1	Mwr Inner Idler Spacer	29	32128-37	2	Nut-HF
15	430-0001-00	1	Mwr Pump Idler Spring Tensioner	30	32128-49	3	Nut-HHF

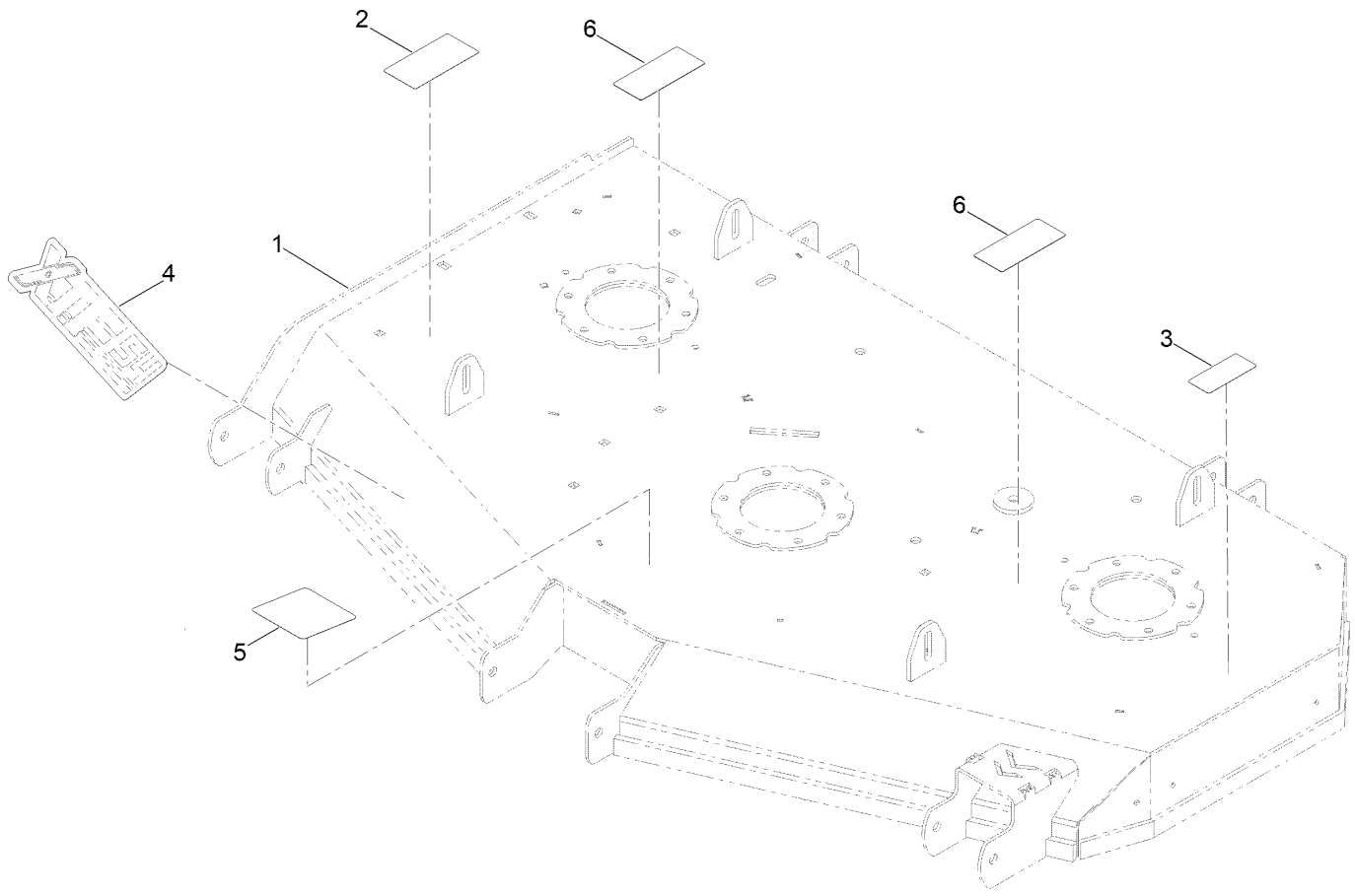
54 Inch Cutting Deck Assembly



54 Inch Cutting Deck Assembly (continued)

<i>Ref.</i>	<i>Part Number</i>	<i>Qty.</i>	<i>Description</i>	<i>Ref.</i>	<i>Part Number</i>	<i>Qty.</i>	<i>Description</i>
1	413-0002-00	8	Nut-Lock	33	422-0061-00	4	Mwr Anti-Scalp Whl W/O Grease Fitting
2	413-0027-00	11	Nut-HF, NI	34	424-0002-00	1	1/4In Drive Type Grease Fitting Yz
3	116-7230	4	Screw-HHF	35	425-0006-00	1	Mwr Inner Idler Spacer
4	148-0002	3	Spindle ASM 5In Deck	36	429-0001-00	1	Mwr Nylon Deck Guard
4:2	116-4004	2	Bearing	37	433-0014-00	1	6-3/4In Idler Pulley 7/16In Spacer ASM
4:3	148-0025	1	Spacer, Bearing	38	433-0015-00	2	6-3/4In Idler Pulley 15/16In Spacer Assy
5	148-0028	3	Pulley	39	434-0007-00	1	Mwr Deck Spring
6	148-0092	2	Cover Belt	40	434-0009-00	1	Idler Gas Spring
7	148-0094	4	Pin-Belt Cover	41	435-0013-KT	4	Rz Mwr Deck Link ASM
8	148-0098	3	Blade-Rotary	42	439-0111-00-P11	1	Mwr Chute Mtg Brkt Painted
9	148-0102	3	Guard-Bearing Top 0.673In	43	439-0257-00-P11	1	Deck Idler Pulley Belt Retnr Brkt Paint
10	148-0105	3	Shaft - Spindle	44	439-0335-00-P11	1	Deck Belt Idler Damper Mtg Brkt Painted
11	148-0108	3	Washer-Hex	45	439-0431-00-P11	1	Rz Mwr Deck Chute Hnge Backr Brkt Paint
12	148-0109	3	M16X1.5-30MM C10.9 Hex Bolt	46	461-0001-00	1	54 Deck Belt
13	148-0112	3	M16X1.5 C8.8 Hex Nut	47	481-0010-00	1	Rz Mwr Rubber Discharge Chute
14	148-0114	6	M16 Spring Washer (39Mmod/ 3.9MM THK)	48	490-0019-00-P11	1	Mwr Deck Idler Pulley Arm Assy Paint
15	148-0207-P11	1	Baffle-Wiper 54 Painted	49	490-0047-00-P11	2	Rz Mwr Deck Stabilizer Assy Painted
16	148-0234	4	Nut-Knob	50	490-0070-00-P11	1	2020 Rz Mwr Deck Chute Hinge Assy Paint
17	148-0289	1	ASM-Deck W/ Decals	51	732-2000-00	8	Red A80 Susp Bushing
18	322-47	2	Screw-HH	52	732-2001-00	4	UTV A-Arm Bushing Sleeve
19	323-13	1	Screw-HH	53	418-0010-00	2	Bolt-CARR
20	324-7	2	Screw-HH	54	418-0045-00	2	3/8-16 X 1 Carriage Bolt Yz GR.8
21	325-19	2	Screw-HH	55	3232-1	1	Screw-CARR
22	325-9	1	Screw-HH	56	3253-4	4	Washer-Lock
23	410-0007-00	2	3/4In ID X15/16In OD X 1-1/8In Flng Bush	57	413-0020-00	2	3/8-16 Hex Flange Nut W/Serr Zinc Yellow
24	413-0016-00	1	.312Idx.625Odx.062 THK Thrust Brg Oi Brz	58	413-0022-00	2	Nut-HF
25	413-0029-00	18	Nut-Hex	59	32128-37	5	Nut-HF
26	418-0009-00	3	1/2-13 X 5-1/2 Hex Flange Bolt GR 8 Zy	60	32128-49	7	Nut-HHF
27	418-0015-00	1	1/2-13 X 8-1/2 Hex C/S GR 2 Zinc Yellow	61	9264964	3	Screw-HWH, Thread Cut
28	418-0021-00	4	1/2-13 X 3-3/4 Hex C/S (GR.5) Zc/Yel				
29	418-0060-00	7	5/16-18 X 1 Carriage Bolt GR 8 Yz				
30	418-0110-00	1	.767Idx1.125Odx.016 THK Trip Wv Washer				
31	418-0246-00	2	1/2-13 X 2-3/4 Hex Flange Bolt (GR.8) Yz				
32	419-0006-00	2	.312 ID X .875OD X .1875 THK F/W NYL				

Deck Decal Assembly No. 148-0289

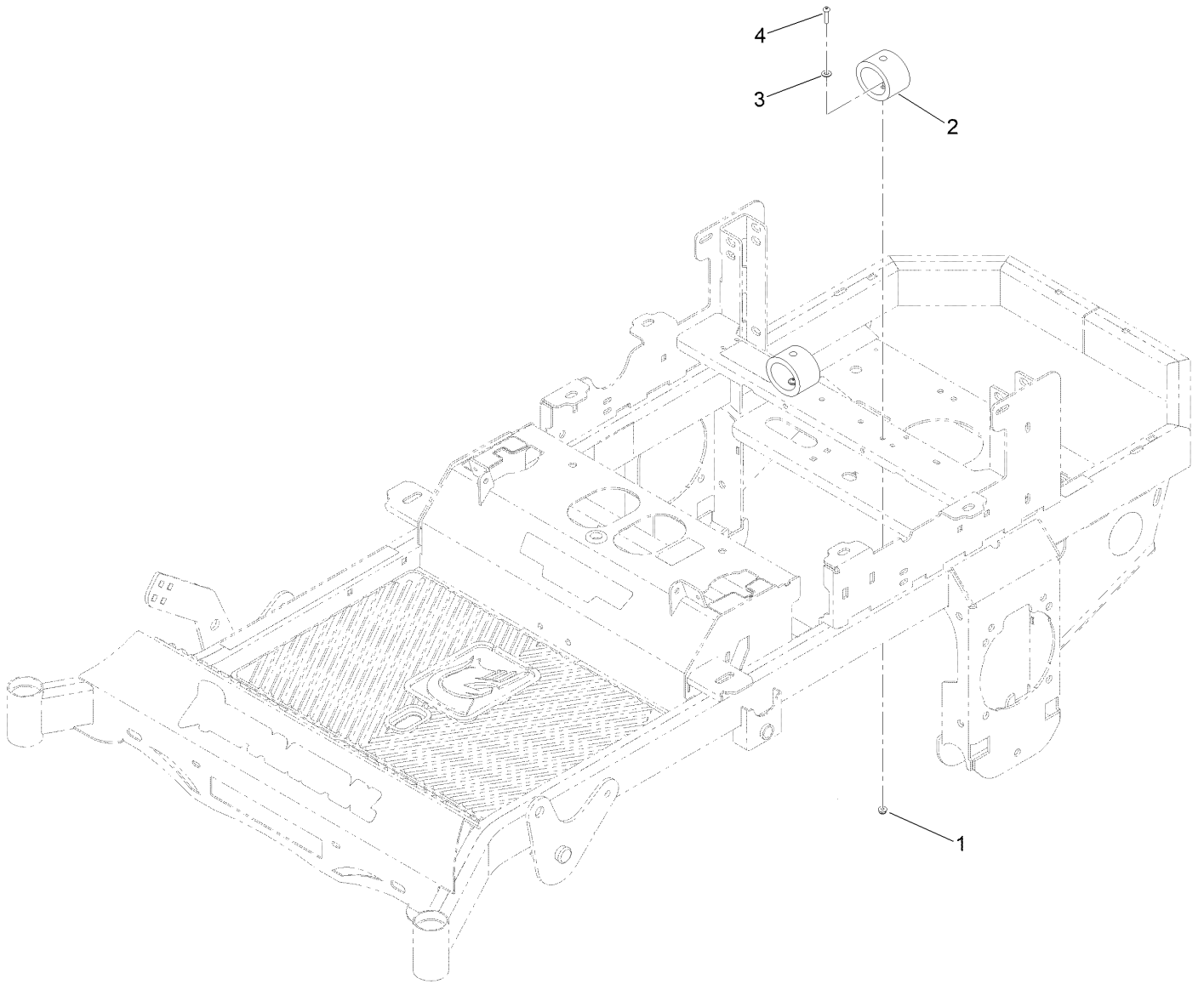


Deck Decal Assembly No. 148-0289 (continued)

<i>Ref.</i>	<i>Part Number</i>	<i>Qty.</i>	<i>Description</i>	<i>Ref.</i>	<i>Part Number</i>	<i>Qty.</i>	<i>Description</i>
1		1	Deck ●	4	148-0779	1	Decal-Xtf
2	132-0872	1	Decal-Danger, Deck	5	148-0260	1	Decal-Deck Belt Routing
3	148-0430	1	Decal-Safety Blade Torque	6	125-6127	2	Decal-Rotating Fan Hazard

● Not serviced separately

Seat Suspension Assembly



Seat Suspension Assembly (continued)

<i>Ref.</i>	<i>Part Number</i>	<i>Qty.</i>	<i>Description</i>	<i>Ref.</i>	<i>Part Number</i>	<i>Qty.</i>	<i>Description</i>
1	104-7201	2	Nut-HF, NI	3	487-0004-00	2	Seat Rr Susp Elastomer
2	418-0039-00	2	1/4-20 X 1 Button Socket C/S 18-8 SS	4	515-0038	2	Washer-Flat

Notes:

Notes:

