



## RZ Pro 61in Mower

Model No. SZPR261730KR

# Parts Catalog



# Ordering Replacement Parts

To order replacement parts, please supply the part number, the quantity, and the description of each part desired.

## Understanding Reference Numbers

Each identified part in an illustration has a reference number. The reference number for a part also appears in the parts list, along with other information about the part.

This catalog uses two special reference number formats, one to indicate parts in a service assembly and another to indicate the quantity of a given part in an illustration.

## Service Assembly Reference Numbers

Parts in service assemblies have reference numbers in the form a:b. The a represents the reference number of the entire service assembly and the b represents a sequential number unique to each part within the service assembly.

For example, a wheel assembly might be identified by reference number 6, the tire by 6:1, the valve by 6:2, and the wheel by 6:3. When you order the assembly identified by reference number 6, you receive all parts identified by reference numbers 6:1, 6:2, and 6:3. However, you may also order any part individually. Reference numbers of this type appear in illustration and in parts lists.

## Reference Numbers Indicating Quantity

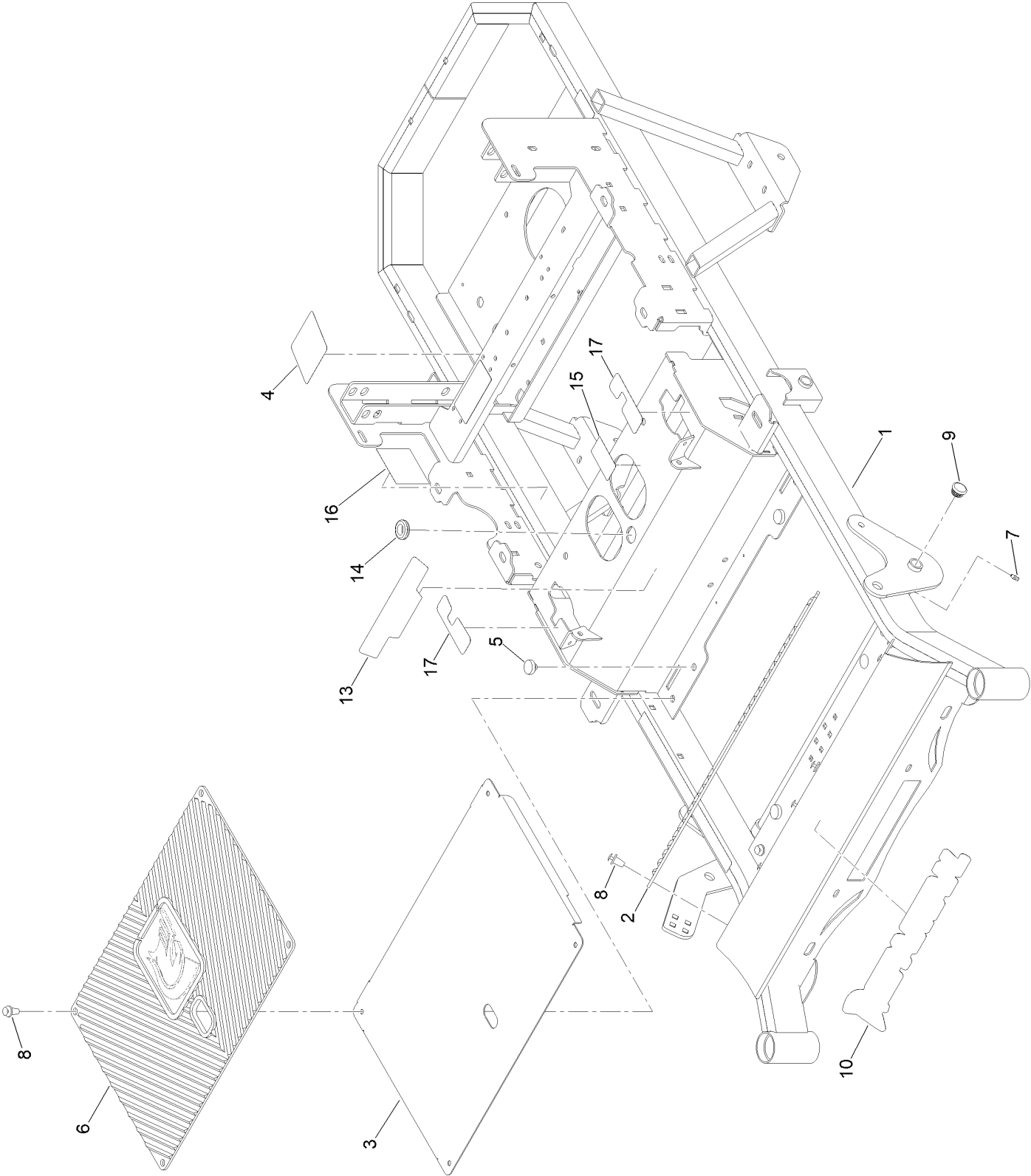
In an illustration, if a reference number indicates more than one part, the reference number has the form nX y. The n represents the quantity of the part, the X is the multiplication symbol, and the y represents the reference number.

For example, in an illustration, the reference number 2X 37 means that two of the parts identified by reference number 37 are indicated.

# Contents

Main Frame Assembly .....	4
Frame with Decals Assembly No. 148-0429 .....	6
Transmission Assembly .....	8
Body Styling Assembly .....	10
Fuel Tank Assembly .....	12
Seat Assembly .....	14
Motion Control and Parking Brake Assembly .....	16
Caster Tire Assembly .....	18
Drive Wheel Assembly .....	20
Electrical Assembly .....	22
Decklift Assembly .....	24
Engine Assembly .....	26
61 Inch Cutting Deck Assembly .....	28
61 inch Deck and Decal Assembly No. 148-0783 .....	30
Seat Suspension Assembly .....	32

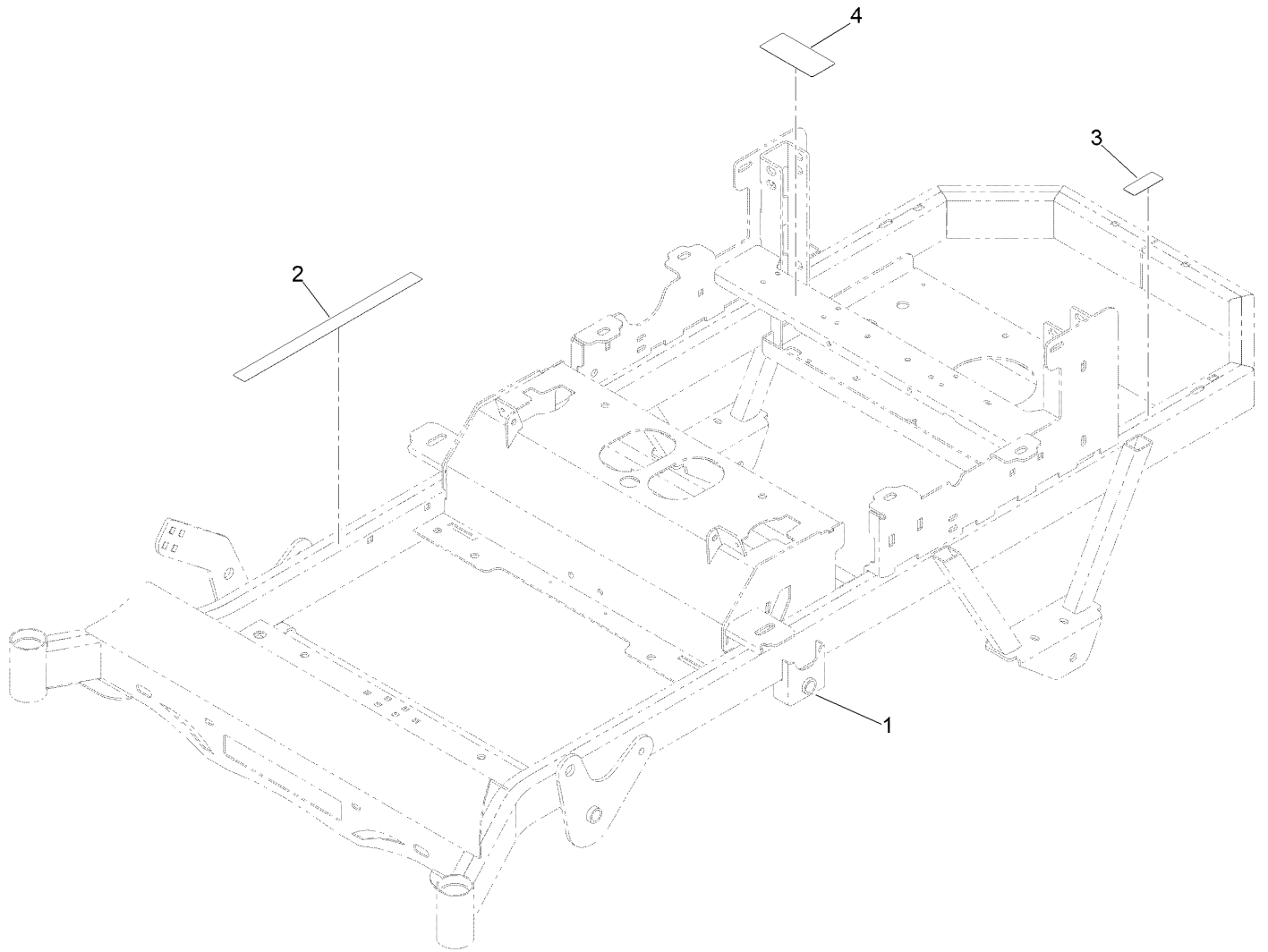
# Main Frame Assembly



## Main Frame Assembly (continued)

<i>Ref.</i>	<i>Part Number</i>	<i>Qty.</i>	<i>Description</i>	<i>Ref.</i>	<i>Part Number</i>	<i>Qty.</i>	<i>Description</i>
1	148-0429	1	Frame ASM W/ Decals	9	414-0016-00	2	1In Round Tube Plug
2	481-0005-00	1	Mwr Rubber Foot Rest Mat	10	491-0037-00	1	Mwr Ft Spartan Logo
3	439-0114-00-P11	1	Rz Floorboard Painted	13	148-0796	1	Decal- Rz Pro Gt Trac Model
4	148-0477	1	Decal-Pump Belt Routing-Tuff Torq	14	240-6	1	Grommet-Rubber
5	429-0002-00	4	Push-In Rubber Bumper Mwr Floor	15	491-0039-00	1	Mwr Seat Weight Capacity Decal
6	481-0006-00	1	Mwr Logo Floor Mat	16	148-0426	1	Decal-Epa
7	624-1000-00	2	1/4 Drive Type Straight Grease Fittng Zc	17	491-0033-00	1	Spartan Drive Arm F/N/R Decal
8	414-0002-00	10	8MM Push Type Retainer Nylon Black				

# Frame with Decals Assembly No. 148-0429

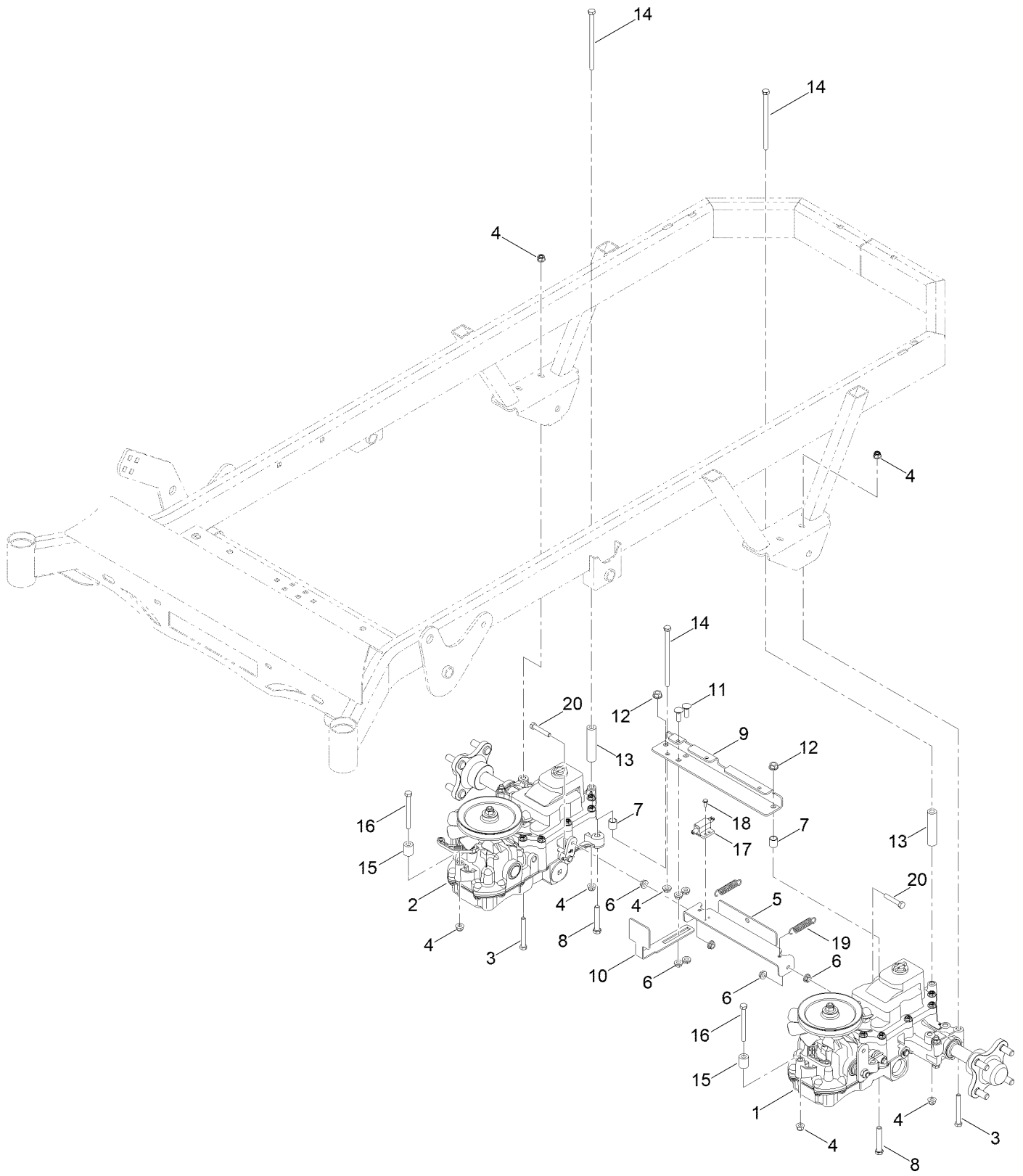


# Frame with Decals Assembly No. 148-0429 (continued)

<i>Ref.</i>	<i>Part Number</i>	<i>Qty.</i>	<i>Description</i>	<i>Ref.</i>	<i>Part Number</i>	<i>Qty.</i>	<i>Description</i>
1		1	Frame ●	3	127-0392	1	Decal-Hot Surface
2	142-7754	1	Decal-Warning	4	125-6127	1	Decal-Rotating Fan Hazard

● Not serviced separately

# Transmission Assembly

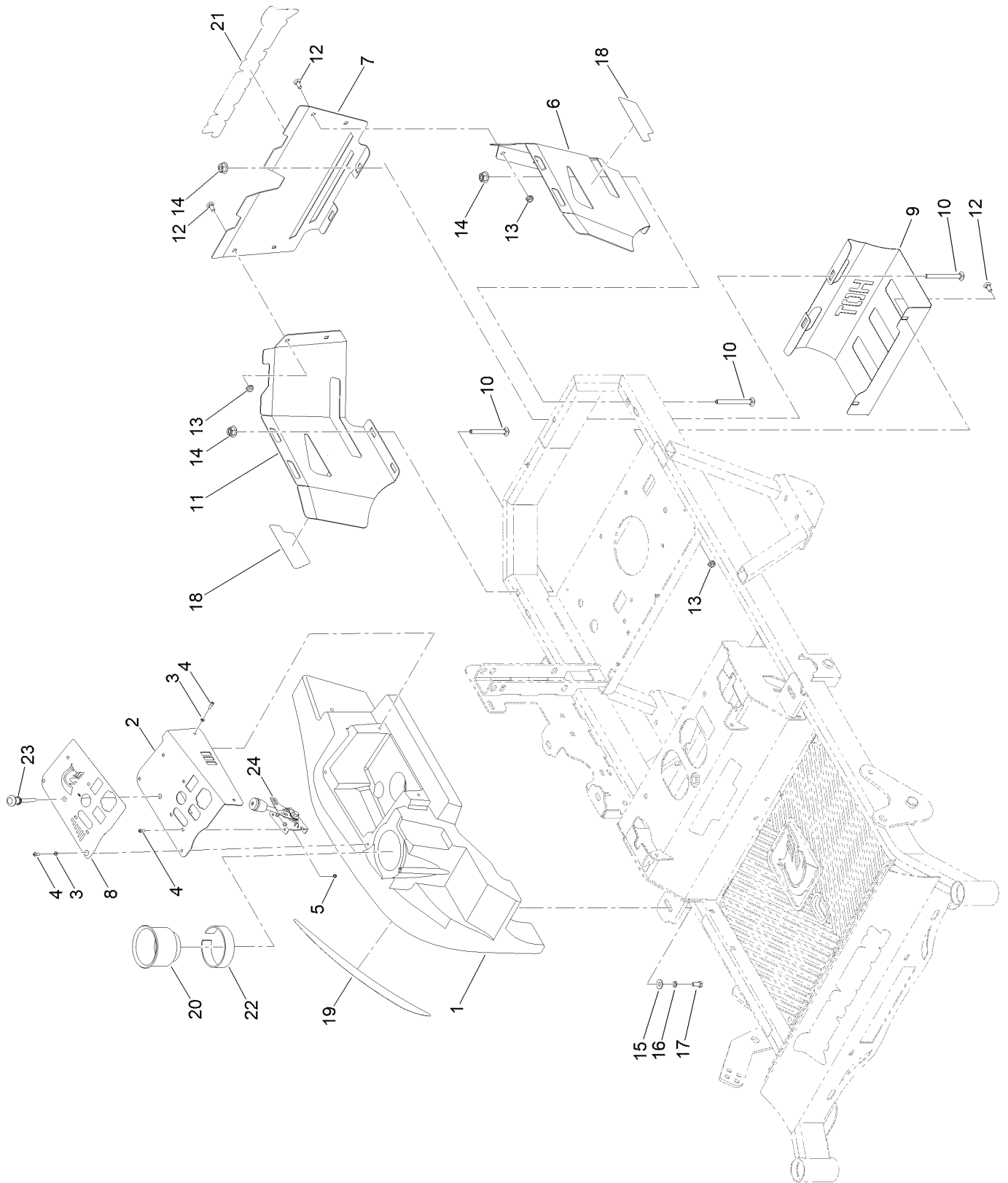




## Transmission Assembly (continued)

<i>Ref.</i>	<i>Part Number</i>	<i>Qty.</i>	<i>Description</i>	<i>Ref.</i>	<i>Part Number</i>	<i>Qty.</i>	<i>Description</i>
1	450-0017-00	1	Tz-450 Lt Side Hydrostatic Transmission	11	3230-2	2	Bolt-CARR
2	450-0018-00	1	Tz-450 Rt Side Hydrostatic Transmission	12	3290-357	2	Nut-HSF
3	322-13	4	Screw-HH	13	425-0023-00	2	Ttq Hydrostatic Transmission Rr Spacer
4	104-8300	9	Nut-HF, NI	14	322-49	3	Bolt-HH
5	439-0018-00-P11	1	Mwr Ttq Brake Cable Brkt Paint	15	425-0029-00	2	Pulley Cover Spacer/Ttq Short Spacer
6	32128-20	8	Nut-HF	16	322-20	2	Screw-HH
7	725-1011-00	2	11/16Inx 1/2In X 5/8In Spacer	17	486-0030-00	1	No Plunger Limit Switch
8	418-0107-00	2	3/8-16 X 2-1/4 Hex Flange Bolt GR8 Yz	18	418-0032-00	2	8-32 X 1/2 Ind. HWH Slot Type F Tcs Zinc
9	439-0098-00-P11	1	Mwr Ttq Transmission Mount Brace Paint	19	434-0003-00	2	Mwr Brake Pedal Release Spring
10	439-0066-00-P11	1	Stand Trans Brake Interlock Brkt Paint	20	139-1719	2	Screw-HH

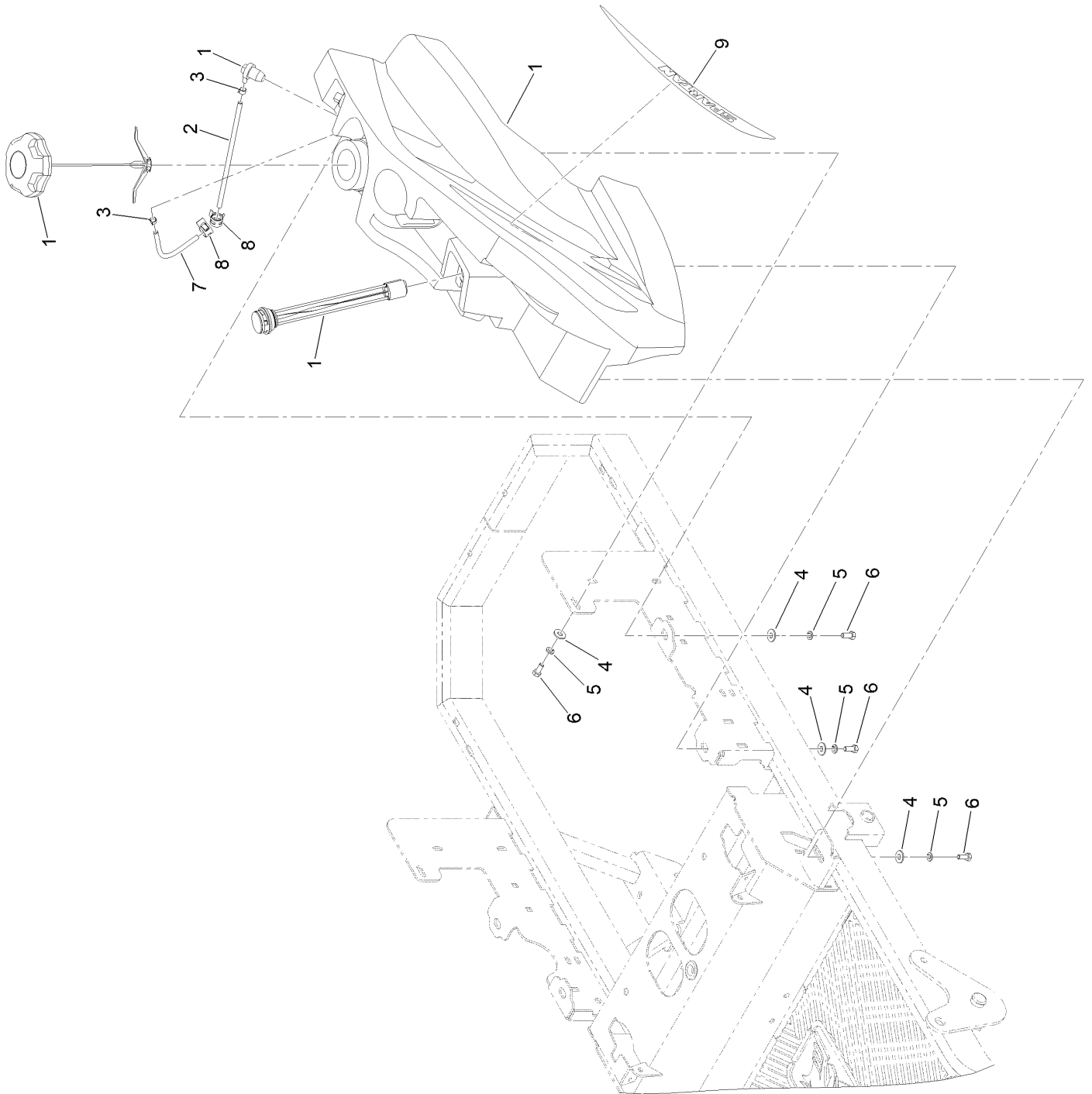
# Body Styling Assembly



## Body Styling Assembly (continued)

<i>Ref.</i>	<i>Part Number</i>	<i>Qty.</i>	<i>Description</i>	<i>Ref.</i>	<i>Part Number</i>	<i>Qty.</i>	<i>Description</i>
1	148-0306	1	Console W/ Cupholder	11	439-0496-00-P11	1	2021 Rzc Rr Cover Rt Side Painted
2	439-0894-00-P11	1	Gas Tank Console Individ Controls Paint	12	3230-1	6	Bolt-CARR
3	419-0011-00	4	#10 Split Lockwasher 18-8 SS	13	32128-20	6	Nut-HF
4	418-0055-00	6	10-24 X 1/2 Socket C/S 18-8 SS	14	413-0013-00	4	3/8-16 Nylon Insert Flange L/Nut Yz
5	110-3145	2	Nut-Lock	15	3256-3	4	Washer-Flat
6	439-0495-00-P11	1	2021 Rzc Rr Cover Lt Side Painted	16	3253-4	4	Washer-Lock
7	439-0494-00-P11	1	2021 Rzc Rr Cover Cntr Plate Painted	17	322-3	4	Screw-HH
8	491-0232-00	1	Rz-C Thru Rz-Pro Keyswitch Console Decal	18	148-0476	2	Decal-Model
9	439-0115-00-P11	1	Rz Mwr Muffler Guard Painted	19	491-0153-00	1	2021 Rz Fuel Tank Decal Rt Side
10	418-0018-00	4	3/8-16 X 4 Carriage Bolt Zinc	20	780-2220-00	1	Cup Holder
				21	491-0037-00	1	Mwr Ft Spartan Logo
				22	148-0770	1	Tape-Foam
				23	464-0002-00	1	Mwr Choke Cable Assm
				24	464-0001-00	1	Mwr Throttle Cable Assy W / Handle

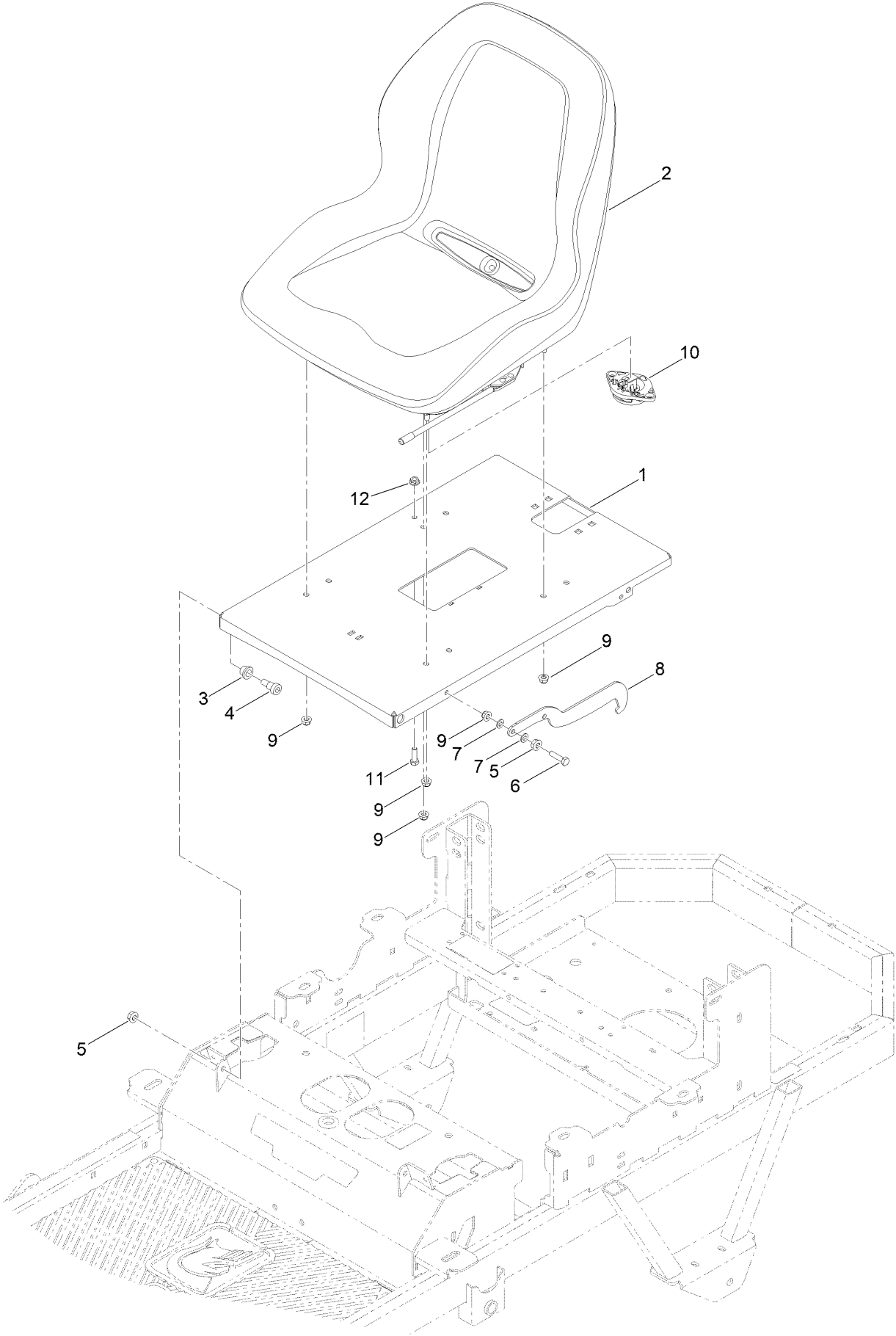
# Fuel Tank Assembly



## Fuel Tank Assembly (continued)

<i>Ref.</i>	<i>Part Number</i>	<i>Qty.</i>	<i>Description</i>	<i>Ref.</i>	<i>Part Number</i>	<i>Qty.</i>	<i>Description</i>
1	467-0021-00	1	2021 Rz Mwr Fuel Tank Assy Lt	6	322-3	4	Screw-HH
2	451-0002-00	10	Mwr Fuel Tank Black 3/16In Vent Tube 1Ft	7	751-1014-00	10	1/4In SAE J30R7 Bulk Hose 1Ft
3	472-0004-00	2	1/2In (#8) Hose Clamp	8	472-0006-00	2	19MM Hose Clamp
4	3256-3	4	Washer-Flat	9	491-0152-00	1	2021 Rz Fuel Tank Decal Lt Side
5	3253-4	4	Washer-Lock				

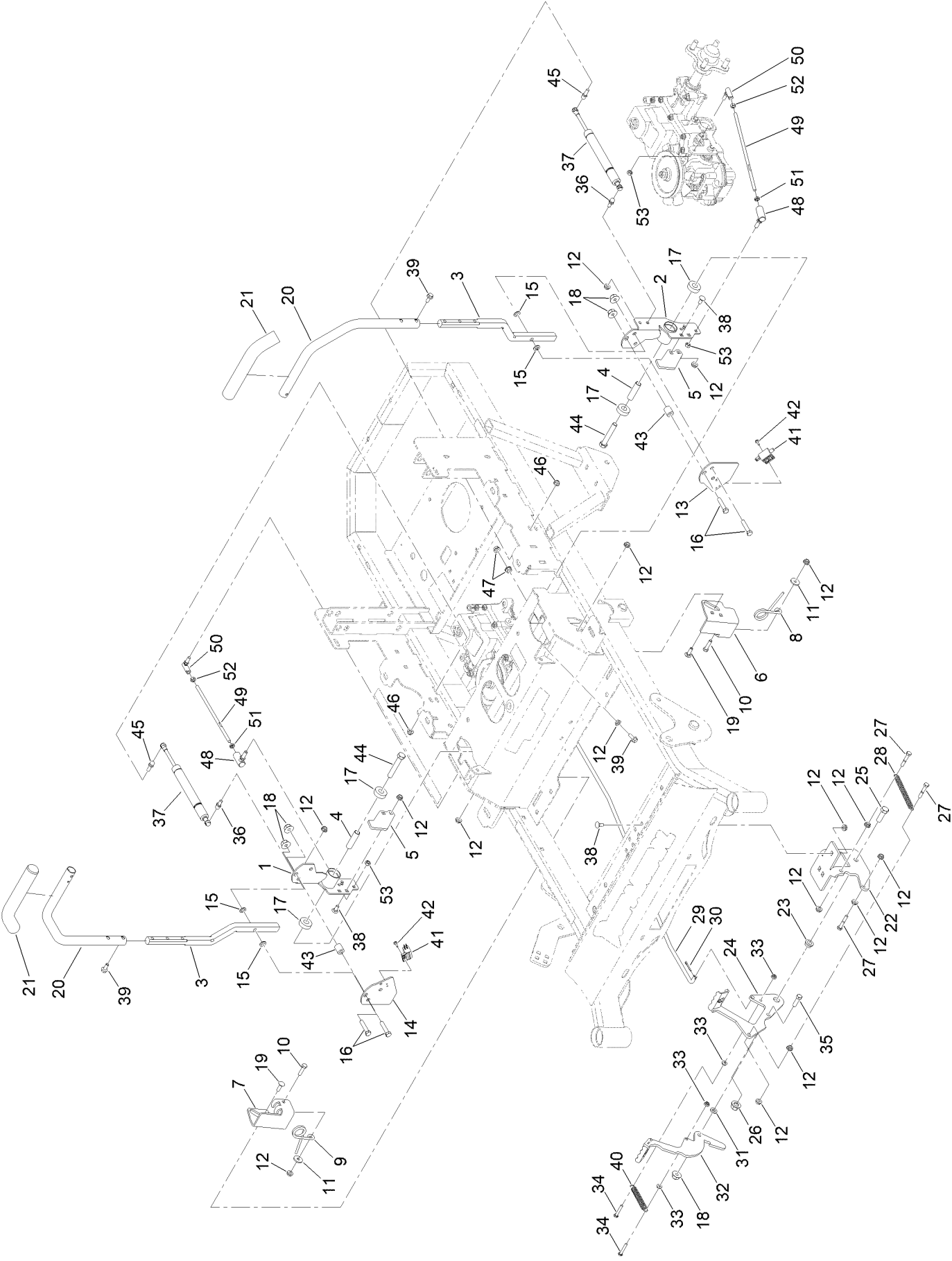
# Seat Assembly



## Seat Assembly (continued)

<i>Ref.</i>	<i>Part Number</i>	<i>Qty.</i>	<i>Description</i>	<i>Ref.</i>	<i>Part Number</i>	<i>Qty.</i>	<i>Description</i>
1	148-0815	1	Plate-Seat Base Upgrade W/ Decals ASM	6	322-47	1	Screw-HH
1	439-0430-00-P11	1	Rz Mwr Seat Brtk Paint	7	413-0016-00	2	.312Idx.625Odx.062 THK Thrust Brg Oi Brz
2	471-0032-00	1	2021 Rz Seat	8	439-0065-00-P11	1	Mwr Seat Latch Hook Paint
3	410-0010-00	2	1/2In ID X 5/8In OD X 1/2In Flange Bush	9	104-8300	5	Nut-HF, NI
4	418-0038-00	2	1/2 X 1/2 Socket Shoulder Bolt Zc Yellow	10	486-0036-00	1	Mwr Seat Switch
5	413-0029-00	3	Nut-Hex	11	AU426-516	1	Screw-HH
				12	32128-20	1	Nut-HF

# Motion Control and Parking Brake Assembly

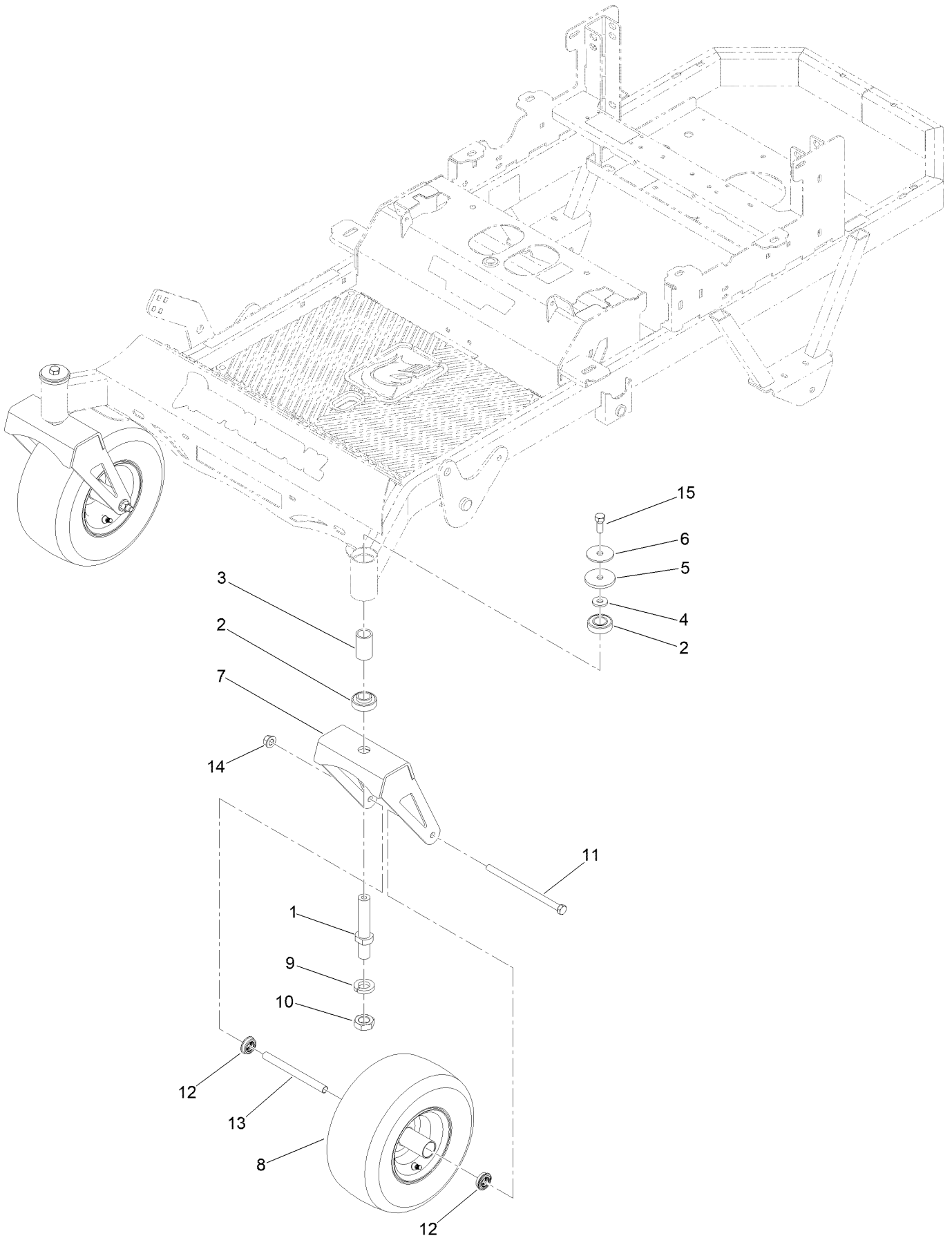




# Motion Control and Parking Brake Assembly (continued)

<i>Ref.</i>	<i>Part Number</i>	<i>Qty.</i>	<i>Description</i>	<i>Ref.</i>	<i>Part Number</i>	<i>Qty.</i>	<i>Description</i>
1	148-0245-P11	1	Motion Control Brkt	26	99-5107	1	Nut-Lock
2	148-0246-P11	1	Motion Control Brkt	27	418-0027-00	3	Bolt-HH
3	431-0001-00	2	Height Adjustable Control Arm	28	434-0015-00	1	2020 Mwr Brake Pedal Tension Spring
4	425-0004-00	2	Mwr Drive Arm Hub / Deck Lift Arm Spacer	29	435-0004-00	1	Mwr Brake Linkage
5	148-0185-P11	2	Reverse Detent Kick Plate	30	3272-11	1	Pin-Cotter
6	148-0187-P11	1	Reverse Dentent Spring Base (LH)	31	413-0052-00	1	3/8 ID X 3/4 OD X .125 THK Bronze Washer
7	148-0186-P11	1	Reverse Dentent Spring Base (RH)	32	490-0017-00-P11	1	Mwr Brake Unlock Lever Assy Painted
8	148-0262	1	Spring- Lt Reverse Detent	33	413-0012-00	4	1/4-20 Hex Flange Nut
9	138-7539	1	Spring-Torsion	34	418-0029-00	2	1/4-20 X 1-1/4 Hex C/S GR 2 Zinc
10	322-47	2	Screw-HH	35	323-7	1	Screw-HH
11	619-4004-00	2	Striker Post Fender Washer	36	487-0005-00	2	5/16-18X1.286 Damper Ball Stud (.562 TI)
12	32128-20	23	Nut-HF	37	487-0001-00	2	Control Arm Damper
13	426-0002-00-P11	1	Lt Control Arm Limit Switch Plate Paint	38	3230-1	7	Bolt-CARR
14	426-0003-00-P11	1	Rt Control Arm Limit Switch Plate Paint	39	116-7230	6	Screw-HHF
15	410-0011-00	4	3/8 X 3/4 Bronze Washer	40	434-0003-00	1	Mwr Brake Pedal Release Spring
16	418-0051-00	6	3/8-16 X 1-3/4 Hex C/S GR 2 Zinc	41	486-0030-00	2	No Plunger Limit Switch
17	410-0005-00	4	5/8In ID X 1-3/8In OD X 7/16In THK Brg	42	418-0032-00	4	8-32 X 1/2 Ind. HWH Slot Type F Tcs Zinc
18	413-0013-00	7	3/8-16 Nylon Insert Flange L/Nut Yz	43	425-0003-00	4	Mwr Drive Arm Spacer
19	418-0060-00	4	5/16-18 X 1 Carriage Bolt GR 8 Yz	44	418-0050-00	2	1/2-13 X 3 Hex C/S GR 5 Zinc W/Loctite
20	403-0020-10-P11	2	Mower Drive Handle Tube Abc	45	487-0008-00	2	5/16-18X1.286 Damper Ball Stud (.562 TI)
21	484-0001-00	2	Control Arm Handle Grip	46	104-8300	2	Nut-HF, NI
22	439-0009-00-P11	1	Mwr Frame Brake Mtg Brkt Paint	47	3290-357	2	Nut-HSF
23	410-0009-00	1	1/2In ID X 3/4In OD X 3/8In Flange Bush	48	410-0002-00	2	Control Arm Rod End Lt
24	490-0016-00-P11	1	Mwr Brake Lock Lever Assy Painted	49	435-0020-00	2	Mwr Drive Arm Rod Ttq 400 + 300 Trans
25	139-2631	1	Screw-HH	50	2411-33	2	Balljoint-RH (W/Grommet)
				51	3220-20	2	Nut-Jam
				52	09207	2	Nut
				53	148-0178	4	5/16-24 NYL INS L/N GR.8 Zc/Yel

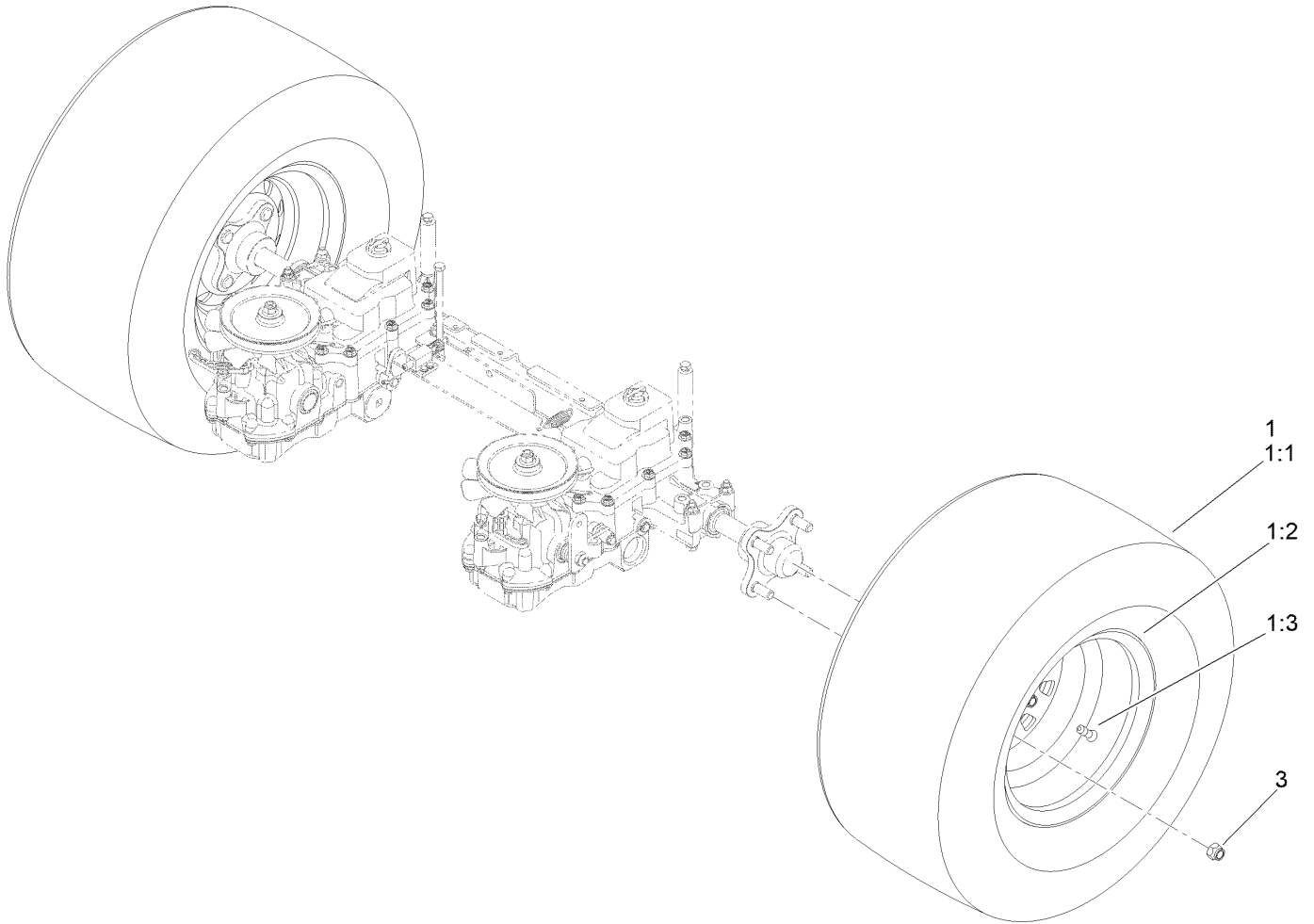
# Caster Tire Assembly



## Caster Tire Assembly (continued)

<i>Ref.</i>	<i>Part Number</i>	<i>Qty.</i>	<i>Description</i>	<i>Ref.</i>	<i>Part Number</i>	<i>Qty.</i>	<i>Description</i>
1	437-0019-00	2	Mwr Caster Shaft	9	419-0024-00	2	1In L/W Med Split Zc
2	103-3540	4	Bearing-Ball	10	413-0063-00	2	Nut-Hex
3	425-0011-00	2	Caster Fork Shaft Bearing Spacer	11	418-0003-00	2	1/2-13 X 8-1/2 Hex C/S GR 5 Zinc Yellow
4	419-0003-00	2	1/2 Fender Washer 1-1/4In OD Zinc	12	410-0018-00	4	Rz Ft Wheel Bearing
5	419-0025-00	2	Ft Hub Plastic Washer	13	425-0010-00	2	Mwr Ft Wheel Spanner
6	426-0006-00-P11	2	Mwr Caster Shaft Washer	14	99-5107	2	Nut-Lock
7	490-0046-00-P11	2	Rz Caster Fork ASM	15	418-0002-00	2	1/2-20 X 1-1/4 Hex Flange Bolt GR 8 Yz
8	422-0027-00	2	Rz/Rt Pro Ft Tire Assy-Smooth Tread				

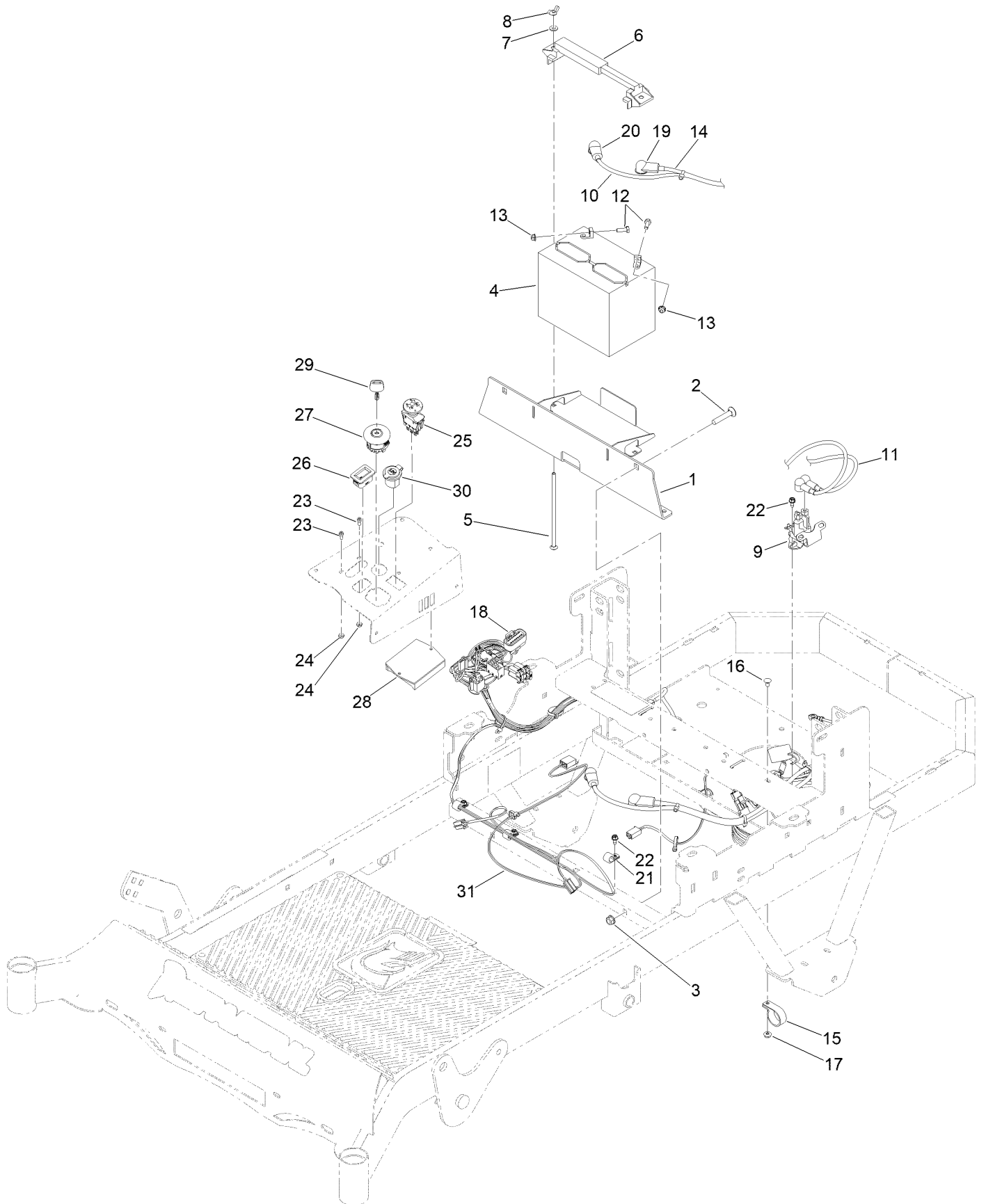
# Drive Wheel Assembly



## Drive Wheel Assembly (continued)

<i>Ref.</i>	<i>Part Number</i>	<i>Qty.</i>	<i>Description</i>	<i>Ref.</i>	<i>Part Number</i>	<i>Qty.</i>	<i>Description</i>
1	422-0053-00	2	Tire ASM	1:3	232-27	1	Stem-Valve
1:1	422-0057-00	1	Tire	3	242-50	8	Nut-Lug
1:2	422-0050-00	1	Rim				

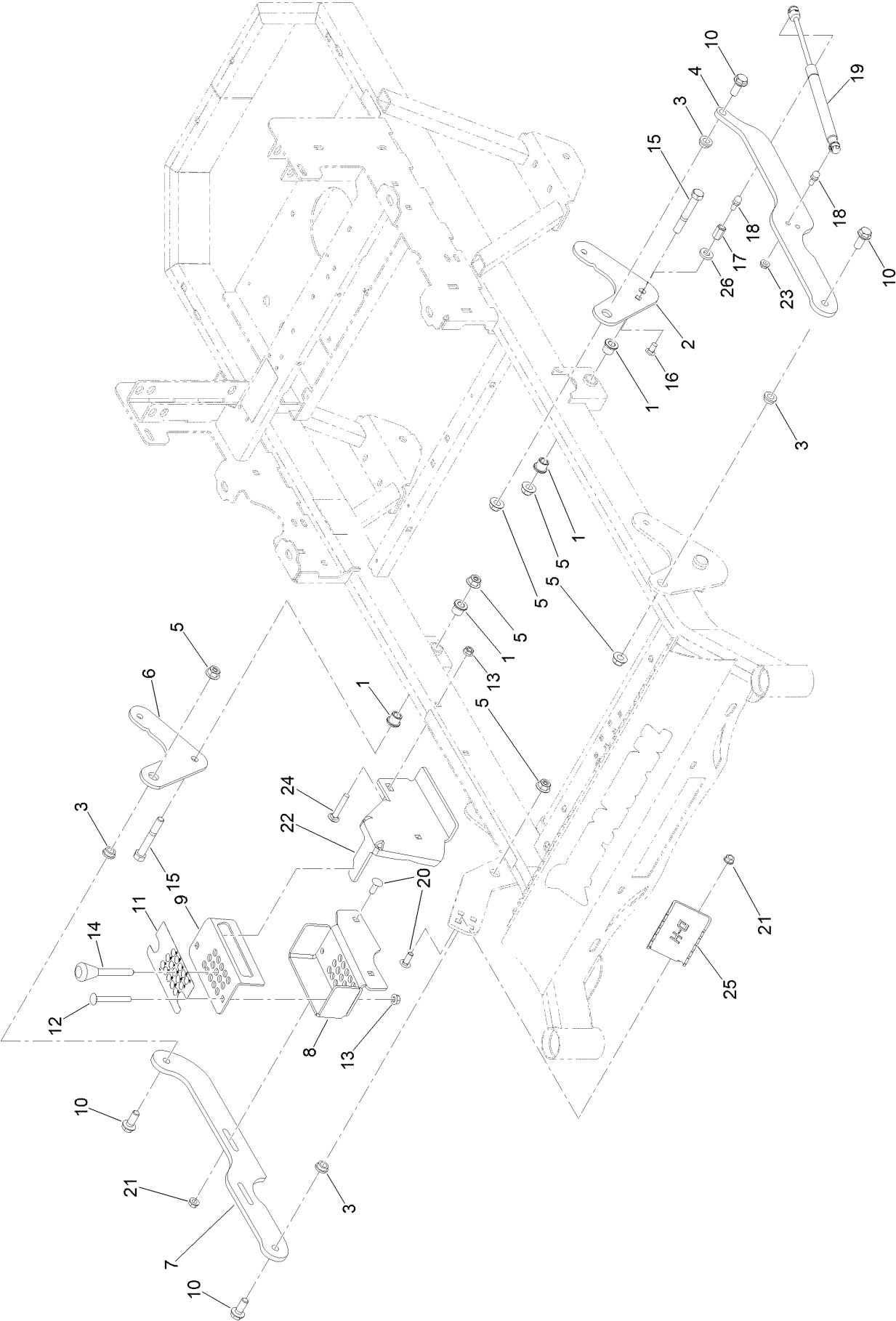
# Electrical Assembly



## Electrical Assembly (continued)

<i>Ref.</i>	<i>Part Number</i>	<i>Qty.</i>	<i>Description</i>	<i>Ref.</i>	<i>Part Number</i>	<i>Qty.</i>	<i>Description</i>
1	490-0027-00-P11	1	Mwr Ttq Battery Box Assy Paint	16	3229-10	1	Screw-CARR
2	3231-6	2	Screw-CARR	17	413-0012-00	1	1/4-20 Hex Flange Nut
3	3290-357	2	Nut-HSF	18	486-0064-00	2	Mwr Keyswitch Jumper Harness
4	468-1004-00	1	12 Volt Start Battery 300CCA	19	436-0002-00	2	3.15 Lgth Straight Insul Term Cover Red
5	418-0034-00	2	1/4-20 X 7 Carriage Bolt Zinc	20	436-0003-00	1	Straight Insulating Terminal Cover
6	443-0001-00	1	Battery Hold Down	21	2412-73	3	Clamp-R
7	515-0038	2	Washer-Flat	22	120-9551	5	Screw-HWH
8	1-803038	2	Wingnut	23	418-0055-00	2	10-24 X 1/2 Socket C/S 18-8 SS
9	486-0006-00	1	Heavy Duty Start Solenoid	24	110-3145	2	Nut-Lock
10	486-0017-00	1	Mwr Negative Cable 28	25	486-0060-00	1	PTO Switch
11	486-0018-00	1	Mwr Start Wire 12	26	486-0061-00	1	Hour Meter
12	321-4	2	Screw-HH	27	486-0062-00	1	Ignition Switch
13	104-7201	2	Nut-HF, NI	28	486-0063-00	1	Interlock Module
14	486-0016-00	1	Mwr Positive Battery Cable 25In	29	486-0065-00	1	2023 Mwr Key
15	472-0001-00	1	1-1/4In Cushioned Loop Clamp Black	30	677-2075-00	1	12 Volt Auxilliary Plug
				31	486-0009-00	1	Rz/Rz-Pro Wiring Harness

# Decklift Assembly

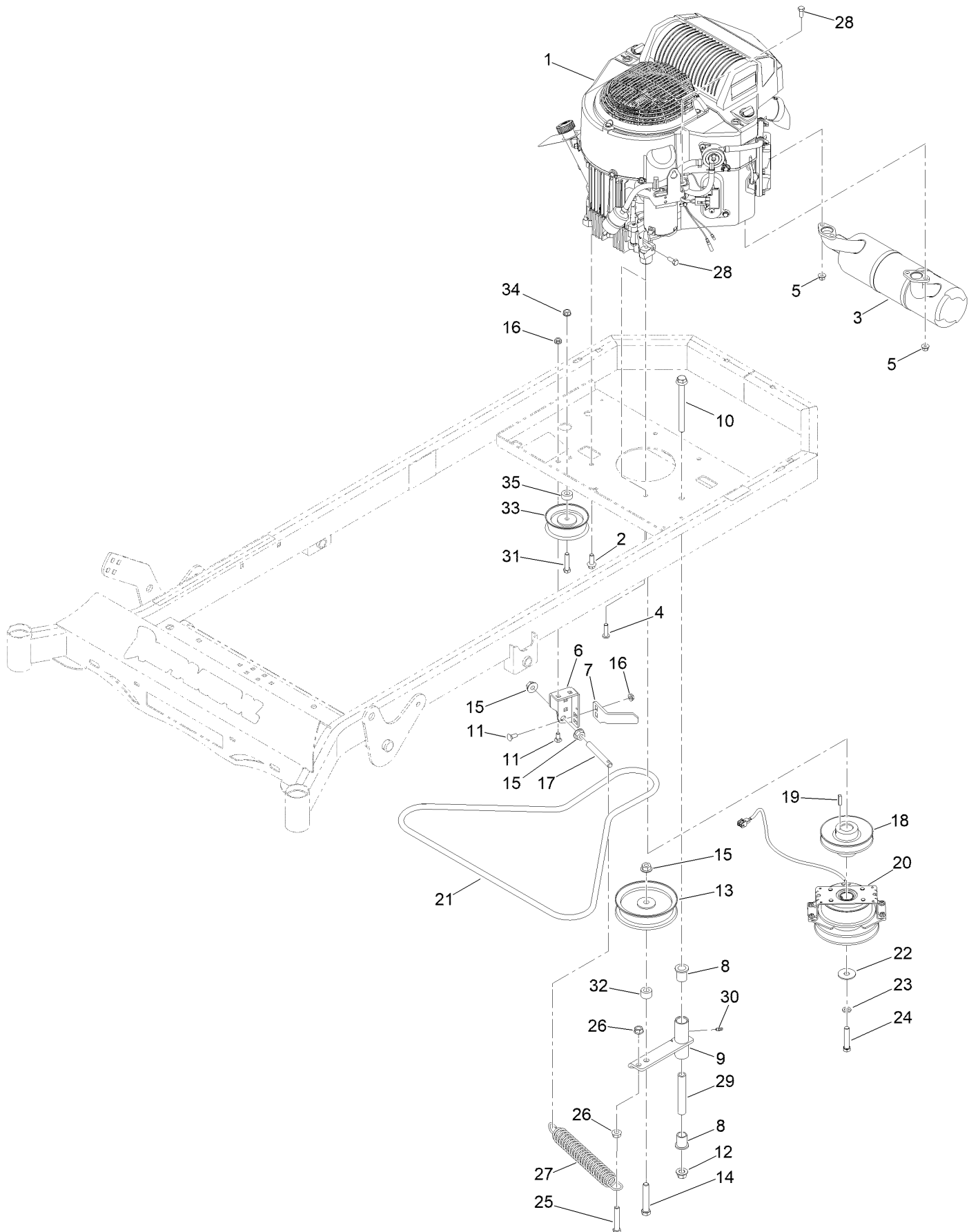




## Decklift Assembly (continued)

<i>Ref.</i>	<i>Part Number</i>	<i>Qty.</i>	<i>Description</i>	<i>Ref.</i>	<i>Part Number</i>	<i>Qty.</i>	<i>Description</i>
1	135-5694	4	Bushing-Flange	15	418-0042-00	2	1/2-13 X 3-1/2 Hex C/S GR
2	148-0421-P11	1	Arm-Decklift Rear (1/4")			5	Zinc Yellow
3	410-0009-00	4	1/2In ID X 3/4In OD X 3/8In Flange Bush	16	618-2068-00	1	3/8 X 3/4In GR 8 CARR Bolt Zinc
4	148-0416-P11	1	Link-Decklift	17	148-0422	1	Hex Coupling Nut - Reducer (3/8" To 5/16
5	413-1005-00	6	1/2-13 Hex Flange 2-Way Rev Cntr L/Nyz	18	487-0005-00	2	5/16-18X1.286 Damper Ball Stud (.562 TI)
6	148-0419-P11	1	Arm-Decklift Rear (1/4")	19	434-0008-00	1	Rz Deck Assist Gas Spring
7	148-0251-P11	1	2024 Deck Height Arm Rt Link	20	3231-22	4	Screw-CARR
8	148-0425-P11	1	Bracket Pin System (Bottom) Painted Grey	21	3290-357	4	Nut-HSF
9	439-0753-00-P11	1	2022 Dhi Pin Arm Link Top Brkt	22	439-0752-00-P11	1	2022 Deck Lock Pin Tube Brkt
10	148-0095	4	1/2-13X1.25In Hex Flange Bolt (GR.8) Yz	23	32128-20	1	Nut-HF
11	148-0428	1	Decal-Height Of Cut	24	618-2023-00	2	3/8In-16 X 2-1/2In GR 8 Carriage
12	418-0095-05	2	(3/8-16 X 3 Carriage Bolt (GR.5) Zc/Yel)	25	439-0059-00-P11	1	Mwr Deck Height Foot Pedal Paint
13	413-0029-00	4	Nut-Hex	26	619-8044-00	1	5/16In Uss Flat Washer (3/8 ID X 7/8 OD)
14	420-0009-00	1	Magnetic Pin For Stand On Mwr				

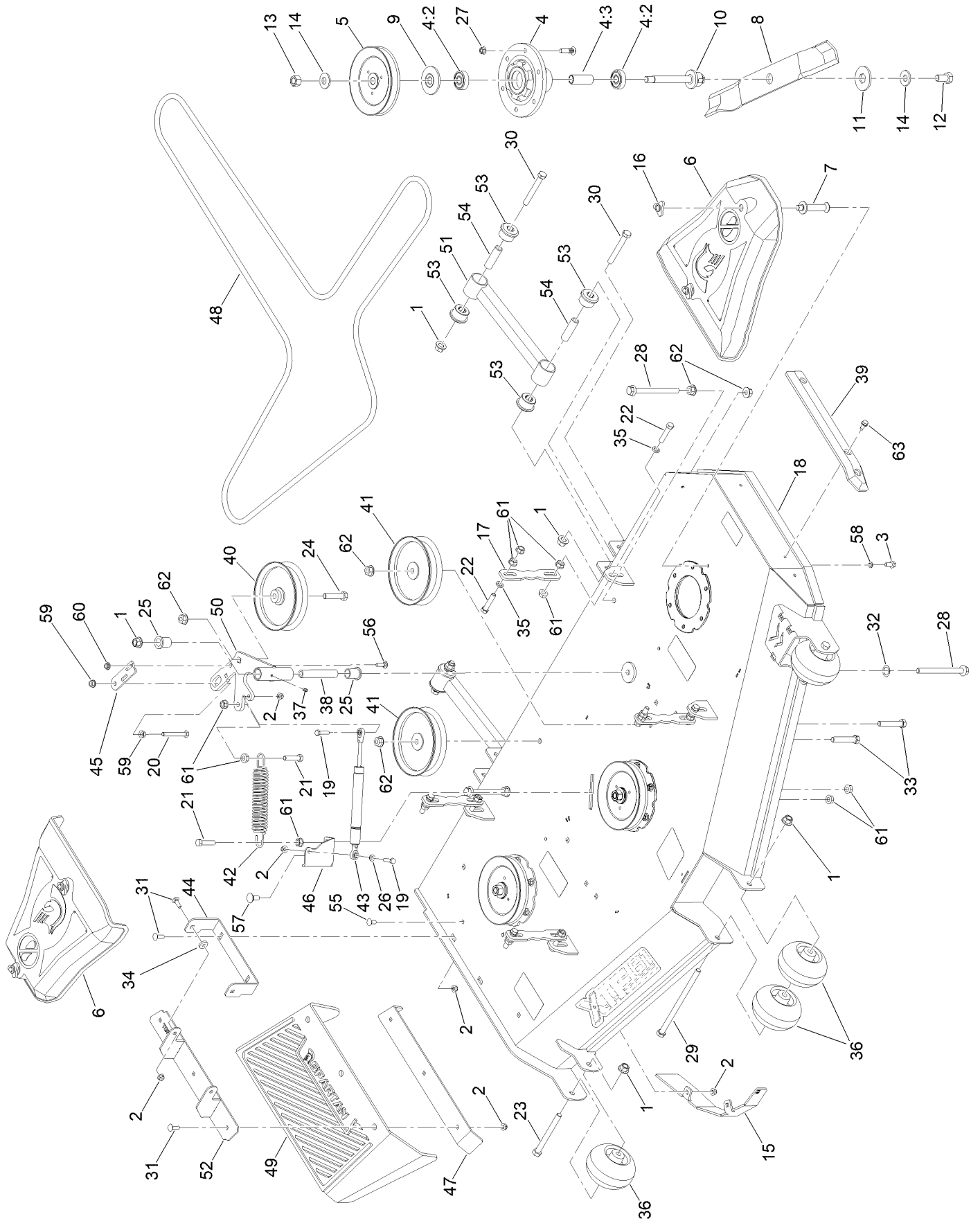
# Engine Assembly



## Engine Assembly (continued)

<i>Ref.</i>	<i>Part Number</i>	<i>Qty.</i>	<i>Description</i>	<i>Ref.</i>	<i>Part Number</i>	<i>Qty.</i>	<i>Description</i>
1	415-0003-00	1	Kawasaki Fr730V-Ds27-R Engn	17	430-0001-00	1	Mwr Pump Idler Spring Tensioner
2	418-0023-00	3	3/8-16 X 1-1/8 Ind HWH W/Serr Tri Lob Zy	18	433-0002-00	1	Mwr Hydraulic Pump Drive Pulley (B-Belt)
3	415-0074-00	1	2019 Exhaust Syst For Kawi Fr Fs And Ft	19	1-807259	1	Key
4	418-0224-00	1	3/8-16 X 1-1/4 Pan Torx (Tri-Lob) Trs Zc	20	470-0004-00	1	Mwr Ttq Ogura Clutch
5	104-2612	4	Nut-HF	21	461-0015-00	1	Mwr Ttq Pump Belt
6	439-0244-00-P11	1	Mwr Pump Idler Tensioning Brktpainted	22	419-0001-00	1	1/2In X 1-5/8 Belleville Cup Washer Yz
7	439-0493-00-P11	1	2021 Ttq Mwr Ogura Clutch Frkt Paint	23	3253-6	1	Washer-Lock
8	410-0007-00	2	3/4In ID X15/16In OD X 1-1/8In Flng Bush	24	418-0223-00	1	Ttq Clutch Bolt
9	490-0018-00-P11	1	Mwr Pump Idler Assy Painted	25	418-0013-00	1	Bolt-HH
10	418-0009-00	1	1/2-13 X 5-1/2 Hex Flange Bolt GR 8 Zy	26	32128-37	2	Nut-HF
11	3230-1	4	Bolt-CARR	27	434-0007-00	1	Mwr Deck Spring
12	99-5107	1	Nut-Lock	28	418-0278-00	2	M8-1.25 X 20MM Hex Flange Bolt Zinc 10.9
13	433-0013-00	1	5-3/4In Idler Pulley 7/16In Spacer Assy	29	425-0006-00	1	Mwr Inner Idler Spacer
14	418-0050-00	1	1/2-13 X 3 Hex C/S GR 5 Zinc W/Loctite	30	424-0002-00	1	1/4In Drive Type Grease Fitting Yz
15	32128-49	3	Nut-HHF	31	323-52	1	Screw-HH
16	32128-20	4	Nut-HF	32	425-0027-00	1	.530 ID/ 1In OD X .625 Pump Idler Spacer
				33	433-0012-00	1	4In Diesel And Economy Mwr Idler Pulley
				34	3290-357	1	Nut-HSF
				35	425-0007-00	1	Mwr Pulley Spacer

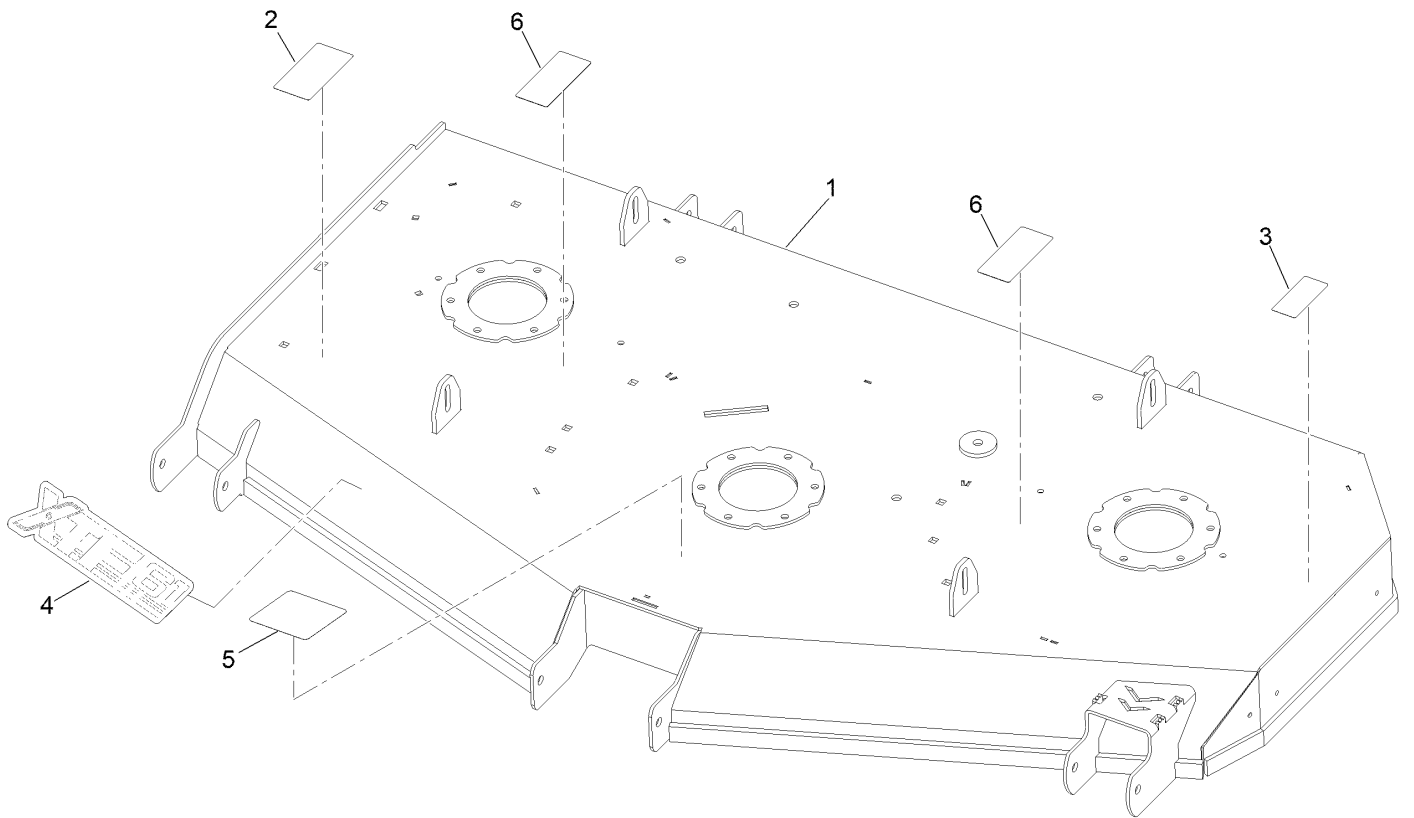
# 61 Inch Cutting Deck Assembly



## 61 Inch Cutting Deck Assembly (continued)

<i>Ref.</i>	<i>Part Number</i>	<i>Qty.</i>	<i>Description</i>	<i>Ref.</i>	<i>Part Number</i>	<i>Qty.</i>	<i>Description</i>
1	99-5107	8	Nut-Lock	34	419-0006-00	2	.312 ID X .875OD X .1875 THK F/W NYL
2	104-8300	11	Nut-HF, NI	35	419-0010-00	8	.443 ID X .749 OD X .125 THK Nylon Black
3	116-7230	4	Screw-HHF	36	422-0061-00	4	Mwr Anti-Scalp Whl W/O Grease Fitting
4	148-0002	3	Spindle ASM 5In Deck	37	424-0002-00	1	1/4In Drive Type Grease Fitting Yz
4:2	116-4004	2	Bearing	38	425-0006-00	1	Mwr Inner Idler Spacer
4:3	148-0025	1	Spacer, Bearing	39	429-0001-00	1	Mwr Nylon Deck Guard
5	148-0027	3	Pulley	40	433-0014-00	1	6-3/4In Idler Pulley 7/16In Spacer ASM
6	148-0093	2	Cover-Belt	41	433-0015-00	2	6-3/4In Idler Pulley 15/16In Spacer Assy
7	148-0094	4	Pin-Belt Cover	42	434-0007-00	1	Mwr Deck Spring
8	148-0099	3	Blade-Rotary	43	434-0009-00	1	Idler Gas Spring
9	148-0102	3	Guard-Bearing Top 0.673In	44	439-0111-00-P11	1	Mwr Chute Mtg Brkt Painted
10	148-0105	3	Shaft - Spindle	45	439-0257-00-P11	1	Deck Idler Pulley Belt Retr Brkt Paint
11	148-0108	3	Washer-Hex	46	439-0335-00-P11	1	Deck Belt Idler Damper Mtg Brkt Painted
12	148-0109	3	M16X1.5-30MM C10.9 Hex Bolt	47	439-0431-00-P11	1	Rz Mwr Deck Chute Hnge Backr Brkt Paint
13	148-0112	3	M16X1.5 C8.8 Hex Nut	48	461-0002-00	1	61 Deck Belt
14	148-0114	6	M16 Spring Washer (39Mmod/ 3.9MM THK)	49	481-0010-00	1	Rz Mwr Rubber Discharge Chute
15	148-0208-P11	1	Baffle-Wiper	50	490-0019-00-P11	1	Mwr Deck Idler Pulley Arm Assy Paint
16	148-0234	4	Nut-Knob	51	490-0047-00-P11	2	Rz Mwr Deck Stabilizer Assy Painted
17	148-0236-P11	4	Hanger-Deck Painted Grey	52	490-0070-00-P11	1	2020 Rz Mwr Deck Chute Hinge Assy Paint
18	148-0783	1	ASM-Deck W/ Decals	53	732-2000-00	8	Red A80 Susp Bushing
19	322-47	2	Screw-HH	54	732-2001-00	4	UTV A-Arm Bushing Sleeve
20	323-13	1	Screw-HH	55	3230-1	2	Bolt-CARR
21	324-7	2	Screw-HH	56	3230-2	2	Bolt-CARR
22	324-8	8	Screw-HH	57	3232-1	1	Screw-CARR
23	325-19	2	Screw-HH	58	3253-4	4	Washer-Lock
24	325-9	1	Screw-HH	59	3290-357	2	Nut-HSF
25	410-0007-00	2	3/4In ID X15/16In OD X 1-1/8In Flng Bush	60	32128-20	2	Nut-HF
26	413-0016-00	1	.312Idx.625Odx.062 THK Thrust Brg Oi Brz	61	32128-37	21	Nut-HF
27	413-0029-00	18	Nut-Hex	62	32128-49	7	Nut-HHF
28	418-0009-00	3	1/2-13 X 5-1/2 Hex Flange Bolt GR 8 Zy	63	9264964	3	Screw-HWH, Thread Cut
29	418-0015-00	1	1/2-13 X 8-1/2 Hex C/S GR 2 Zinc Yellow				
30	418-0021-00	4	1/2-13 X 3-3/4 Hex C/S (GR.5) Zc/Yel				
31	418-0060-00	7	5/16-18 X 1 Carriage Bolt GR 8 Yz				
32	418-0110-00	1	.767Idx1.125Odx.016 THK Trip Wv Washer				
33	418-0246-00	2	1/2-13 X 2-3/4 Hex Flange Bolt (GR.8) Yz				

# 61 inch Deck and Decal Assembly No. 148-0783



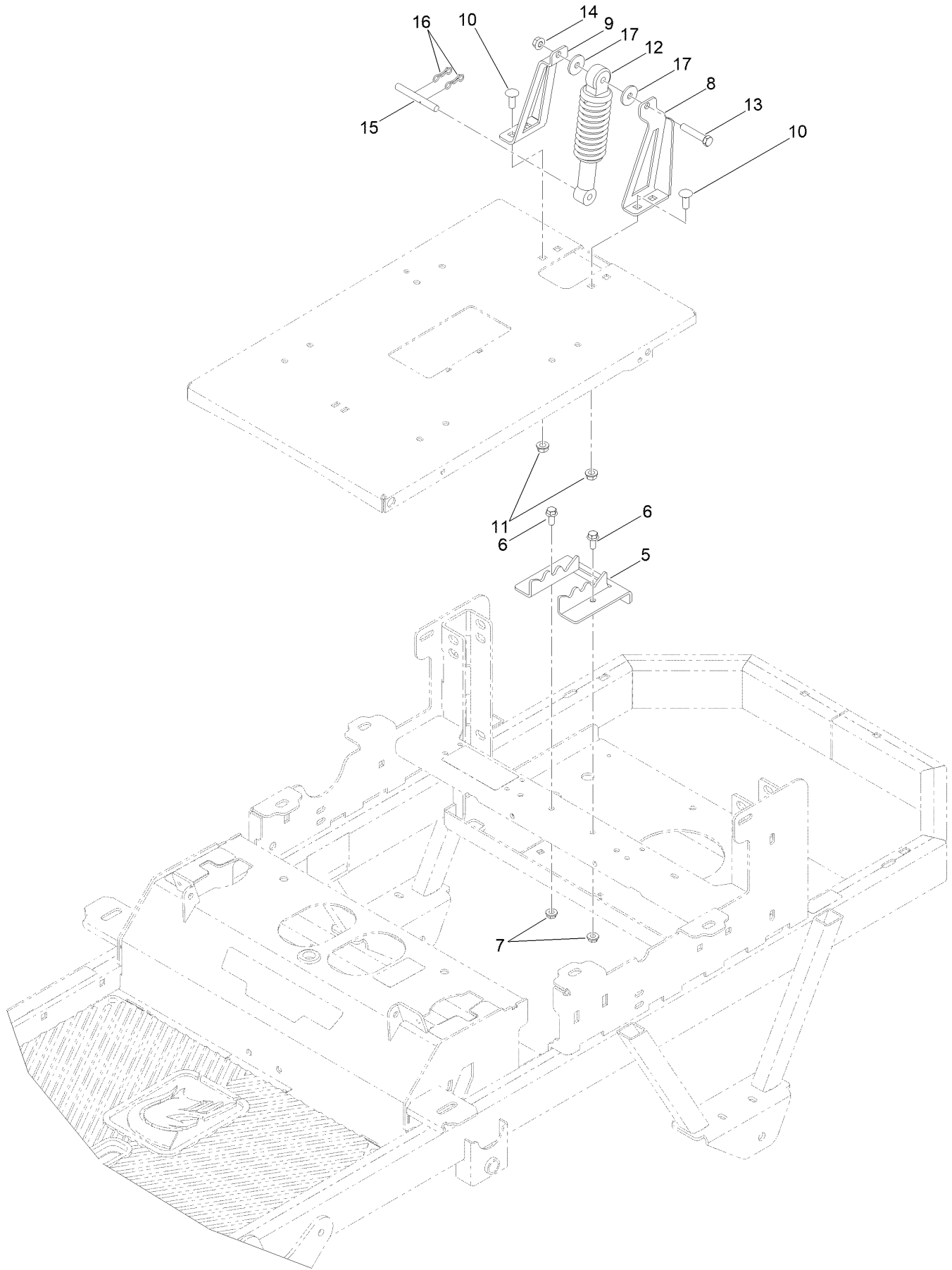
# 61 inch Deck and Decal Assembly No. 148-0783 (continued)

<i>Ref.</i>	<i>Part Number</i>	<i>Qty.</i>	<i>Description</i>
1		1	Deck ASM-61 ●
2	132-0872	1	Decal-Danger, Deck
3	148-0430	1	Decal-Safety Blade Torque

<i>Ref.</i>	<i>Part Number</i>	<i>Qty.</i>	<i>Description</i>
4	491-0131-00	1	2020 Xtf-61 Decal
5	148-0260	1	Decal-Deck Belt Routing
6	125-6127	2	Decal-Rotating Fan Hazard

● Not serviced separately

# Seat Suspension Assembly





## Seat Suspension Assembly (continued)

<i>Ref.</i>	<i>Part Number</i>	<i>Qty.</i>	<i>Description</i>	<i>Ref.</i>	<i>Part Number</i>	<i>Qty.</i>	<i>Description</i>
5	439-0429-00-P11	1	Rz Mwr Seat Shock Lwr Mount Brkt Paint	13	418-0113-00	1	3/8-16 X 2 Hex Bolt GR 5 Zinc Yellow
6	116-7230	2	Screw-HHF	14	413-0029-00	1	Nut-Hex
7	32128-20	2	Nut-HF	15	444-0004-00	1	Rz Mwr Seat Shock 10MM Pin
8	439-0427-00-P11	1	Rz Mwr Seat Shock Upp Mnt Brkt Lt Paint	16	420-0005-00	2	.073 DIA X 1-7/16In Hairpin Cotter Zinc
9	439-0428-00-P11	1	Rz Mwr Seat Shock Upp Mnt Brkt Rt Paint	17	419-0028-00	2	Flt Washer 1.25Odx.38Idx.125 THK Pla
10	3231-22	4	Screw-CARR				
11	3290-357	4	Nut-HSF				
12	487-0009-00	1	2020 Rz Pro Seat / Ft Fork Shock				

**Notes:**

**Notes:**

