



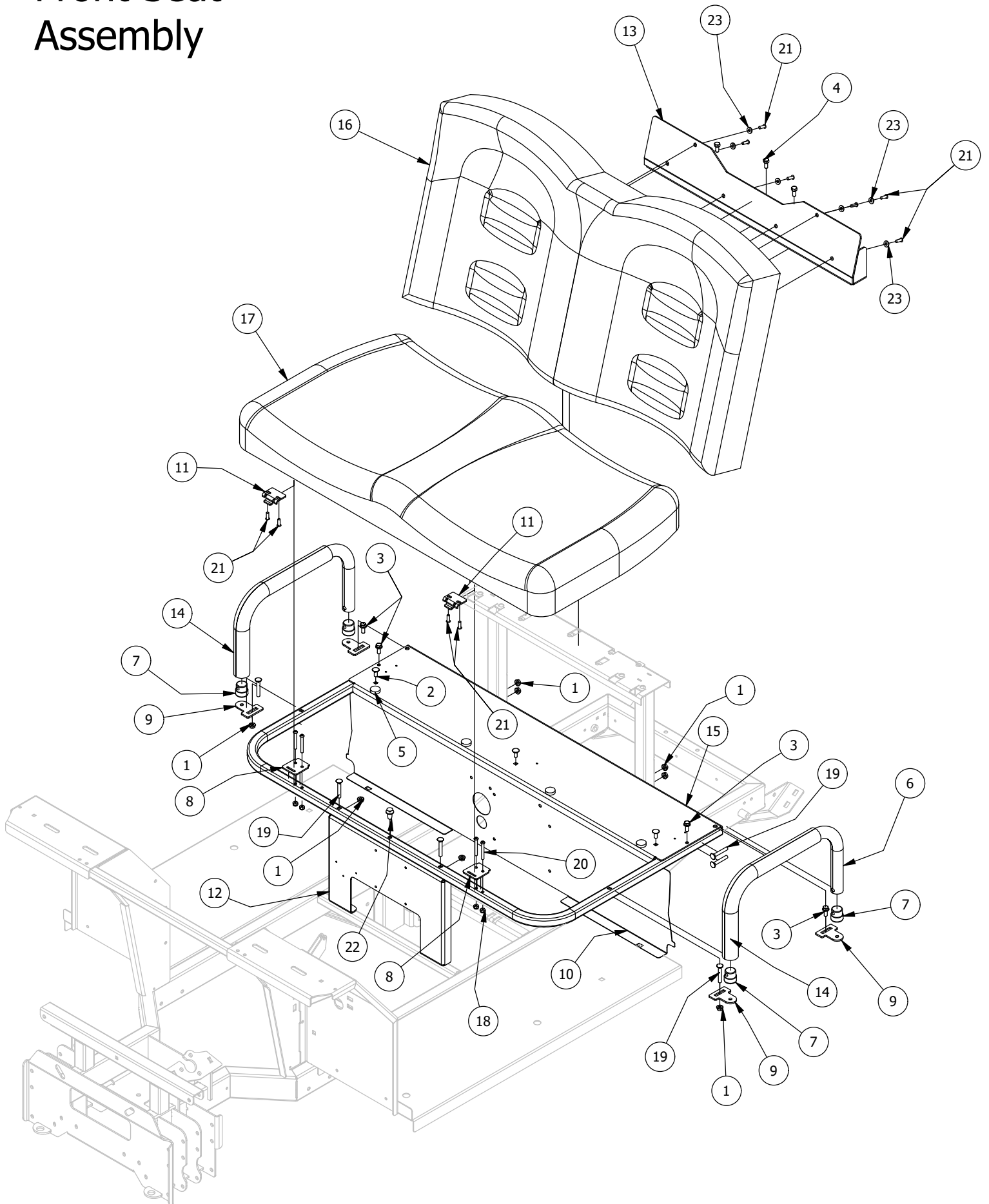
eNVy Parts Manual



TABLE OF CONTENTS

| | |
|--|-------|
| FRONT SEAT ASSEMBLY..... | 3-4 |
| FRONT PLASTICS ASSEMBLY | 5-6 |
| FRONT PLASTIC AND HEADLIGHTS ASSEMBLY..... | 7-8 |
| DISPLAY ASSEMBLY..... | 9-10 |
| REAR SEAT MOUNTING ASSEMBLY..... | 11-12 |
| REAR PLASTICS AND SEAT BACK ASSEMBLY | 13-14 |
| UNDER SEAT COMPARTMENT ASSEMBLY | 15-16 |
| LEAD ACID BATTERY ASSEMBLY..... | 17-18 |
| LITHIUM BATTERY ASSEMBLY..... | 19-20 |
| UPPER FRAME ASSEMBLY..... | 21-22 |
| PEDAL AND STEERING ASSEMBLY | 23-24 |
| BRAKE PEDAL ASSEMBLY | 25-26 |
| RIGHT WHEEL AND BRAKE ASSEMBLY..... | 27-28 |
| LEFT WHEEL AND BRAKE ASSEMBLY | 29-30 |
| DRIVE SYSTEM ASSEMBLY | 31-32 |
| DECALS..... | 33-34 |

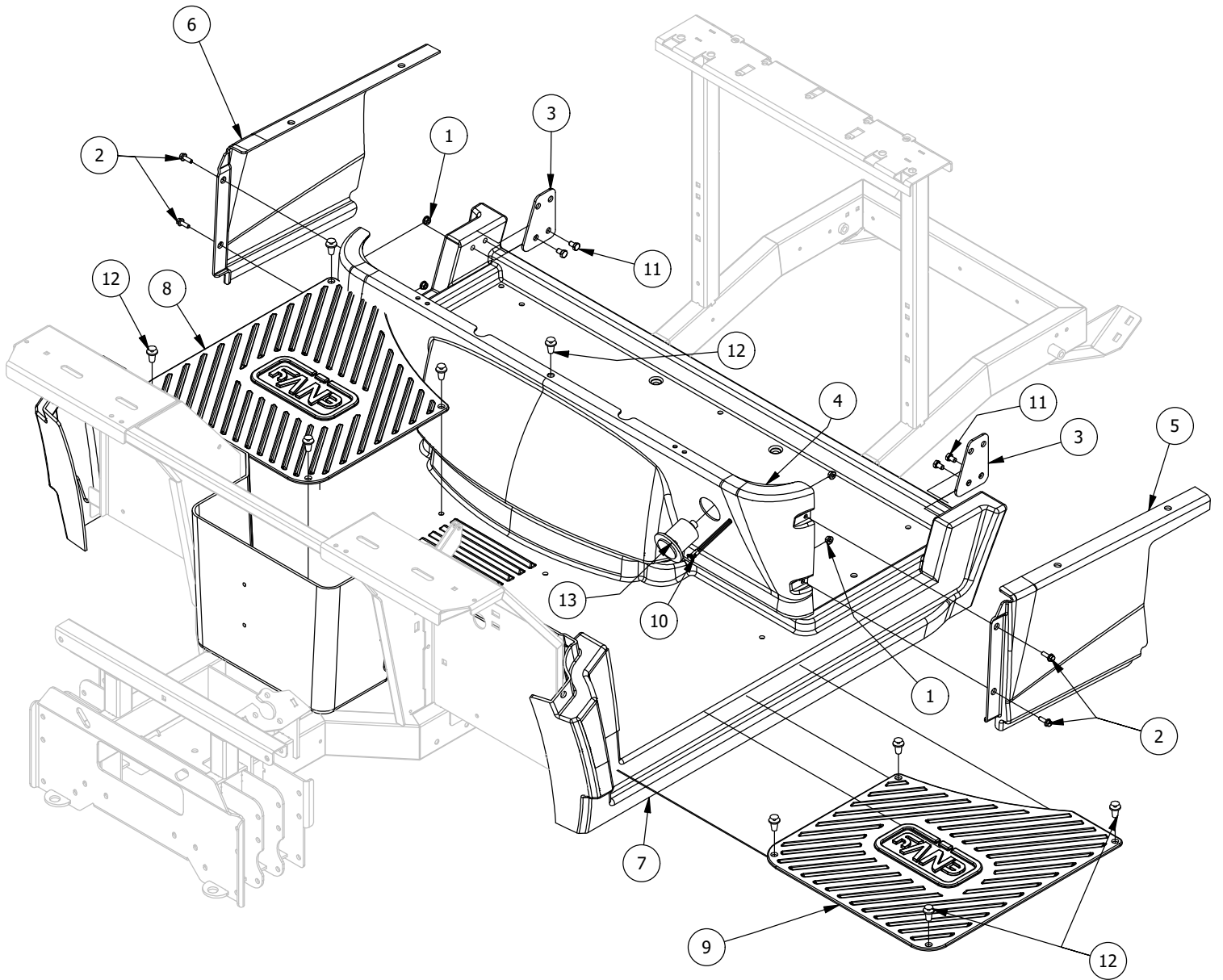
Front Seat Assembly



Front Seat Assembly

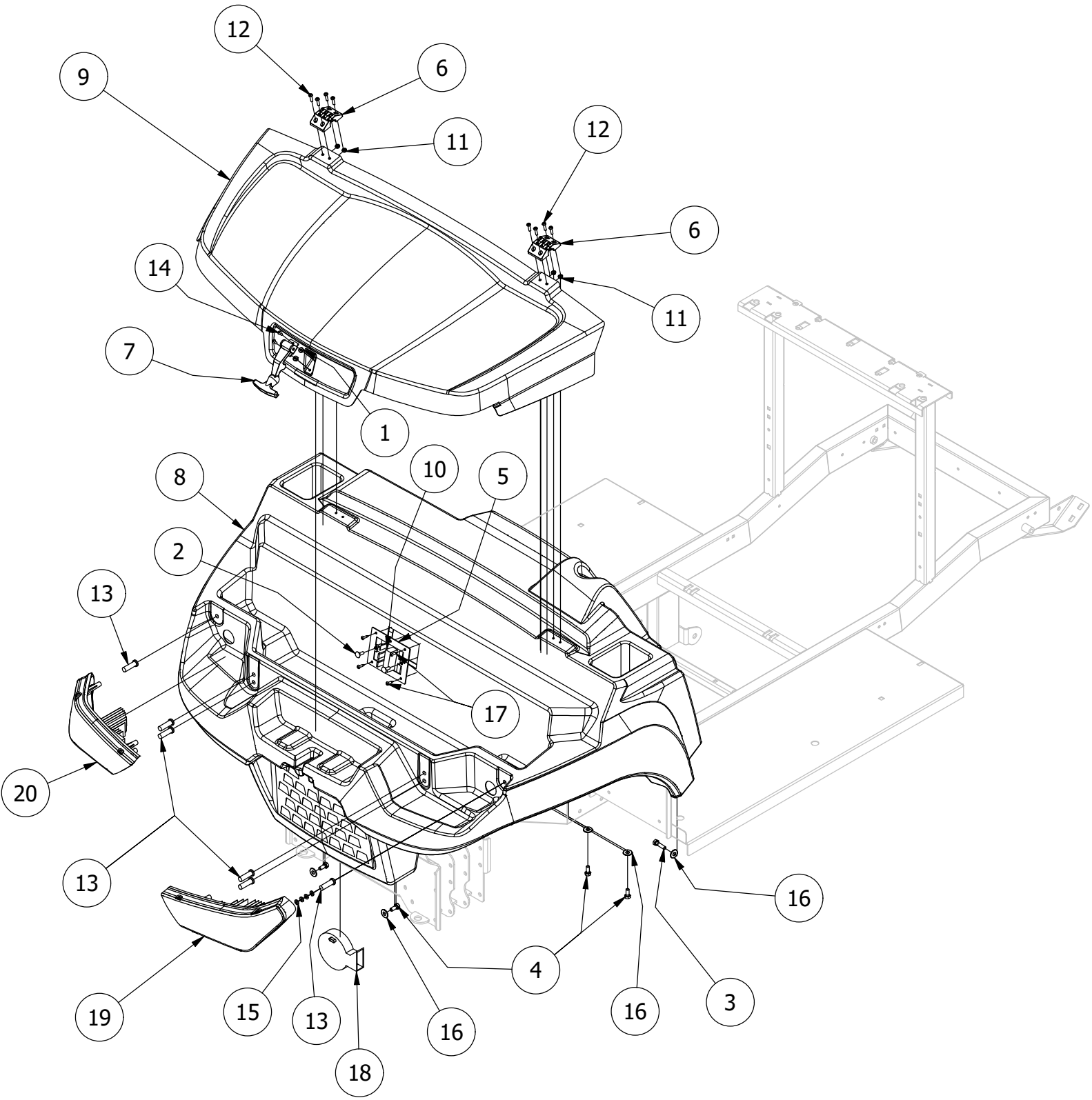
| ITEM | QTY | PART NUMBER | DESCRIPTION |
|------|-----|-------------|---|
| 1 | 11 | 413-0022-00 | 5/16-18 HEX FLANGE NUT W/SERR ZINC YELLOW |
| 2 | 3 | 418-0008-00 | 5/16-18 X 3/4 CARRIAGE BOLT ZINC |
| 3 | 4 | 418-0049-00 | 5/16-18 X 3/4 IND HWH TRI LOB ZINC |
| 4 | 3 | 418-0054-00 | 5/16-18 X 3/4 HEX C/S ZINC |
| 5 | 4 | 429-0002-00 | Push-In Rubber Bumper, Mower Floor |
| 6 | 2 | 503-0034-00 | eNVy Side Handle Tube |
| 7 | 4 | 525-0002-00 | eNVy Side Handle Bottom Mount Spacer |
| 8 | 2 | 526-0022-00 | Envy Bottom Seat Frame Latch 2019 |
| 9 | 4 | 526-0023-00 | Envy Side Handle Bottom Plate |
| 10 | 1 | 539-0099-00 | Envy Rear Firewall Panel |
| 11 | 2 | 539-0102-00 | Envy Seat Latch 2019 |
| 12 | 1 | 539-0103-00 | Envy Seat Front Panel Support Brkt |
| 13 | 1 | 539-0108-00 | Envy Front Seat Back Brkt |
| 14 | 2 | 569-0003-00 | eNVy Rubber Grab Handle |
| 15 | 1 | 570-0030-00 | Envy Front Seat Frame Assembly |
| 16 | 1 | 571-0004-00 | eNVy Neutral Front Seat Back |
| 17 | 1 | 571-0005-00 | eNVy Neutral Front Seat Bottom |
| 18 | 4 | 613-8073-50 | 1/4-20 Nylon Insert Locknut Black Zinc |
| 19 | 8 | 618-1005-00 | 5/16-18 X 2 CARRIAGE BOLT ZINC YELLOW ZINC YELLOW |
| 20 | 4 | 618-1060-50 | 1/4-20 X2" Button Hd Black |
| 21 | 10 | 618-2017-50 | 1/4-20 X 3/4" BH SOC SS BLK |
| 22 | 1 | 618-6065-00 | AUEVCO P/N 17216 HOLE PLUG BLACK |
| 23 | 6 | 619-0010-50 | 1/4 FLAT WASHER BLACK 18-8 BLACK ZINC |

Front Plastics Assembly



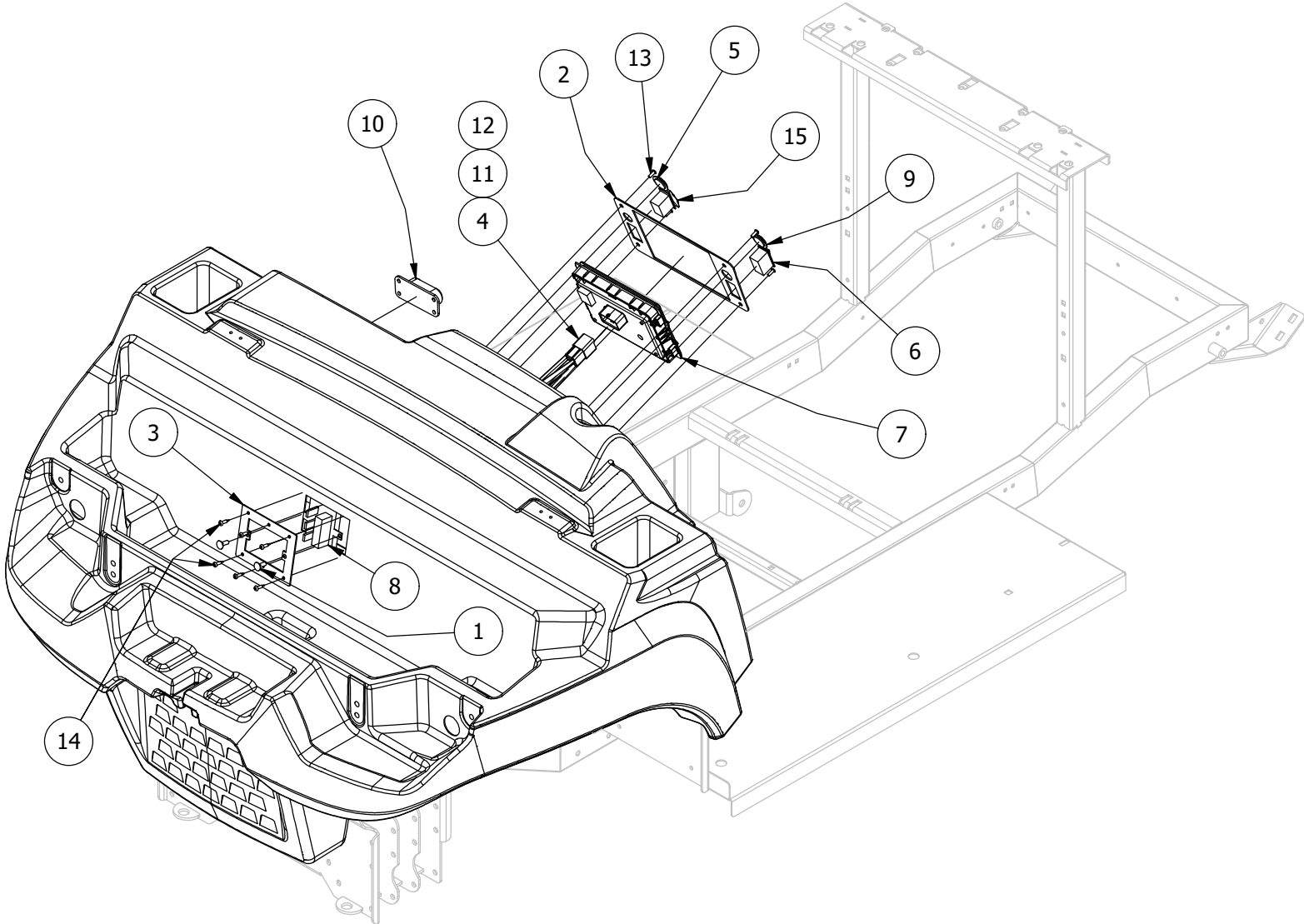
| Front Plastics Assembly | | | |
|-------------------------|-----|-------------|---|
| ITEM | QTY | PART NUMBER | DESCRIPTION |
| 1 | 4 | 413-0026-00 | 1/4-20 NYLON INSERT FLANGE L/NUT ZINC |
| 2 | 4 | 418-0098-00 | 1/4-20 UNC x 0.75 HEX FLANGE BOLT ZC YELLOW |
| 3 | 2 | 526-0024-00 | Envy Floor Section Rear Mount Plate |
| 4 | 1 | 559-0006-00 | eNvy Seat Front Panel |
| 5 | 1 | 559-0007-00 | eNvy Left Seat Panel |
| 6 | 1 | 559-0008-00 | eNvy Right Seat Panel |
| 7 | 1 | 559-0011-00 | 2019 Envy Floor Section |
| 8 | 1 | 581-0004-00 | Envy Rubber Front Foot Rest Right Side |
| 9 | 1 | 581-0005-00 | Envy Rubber Front Foot Rest Left Side |
| 10 | 1 | 586-0027-00 | Envy Remote LED Assembly |
| 11 | 4 | 618-1085-00 | 5/16-18 X 1/2 Hex C/S GR 5 Zinc |
| 12 | 9 | 618-6065-00 | AUEVCO P/N 17216 HOLE PLUG BLACK |
| 13 | 1 | 686-0150-00 | AC Inlet PLUG |

Front Plastic and Headlights Assembly



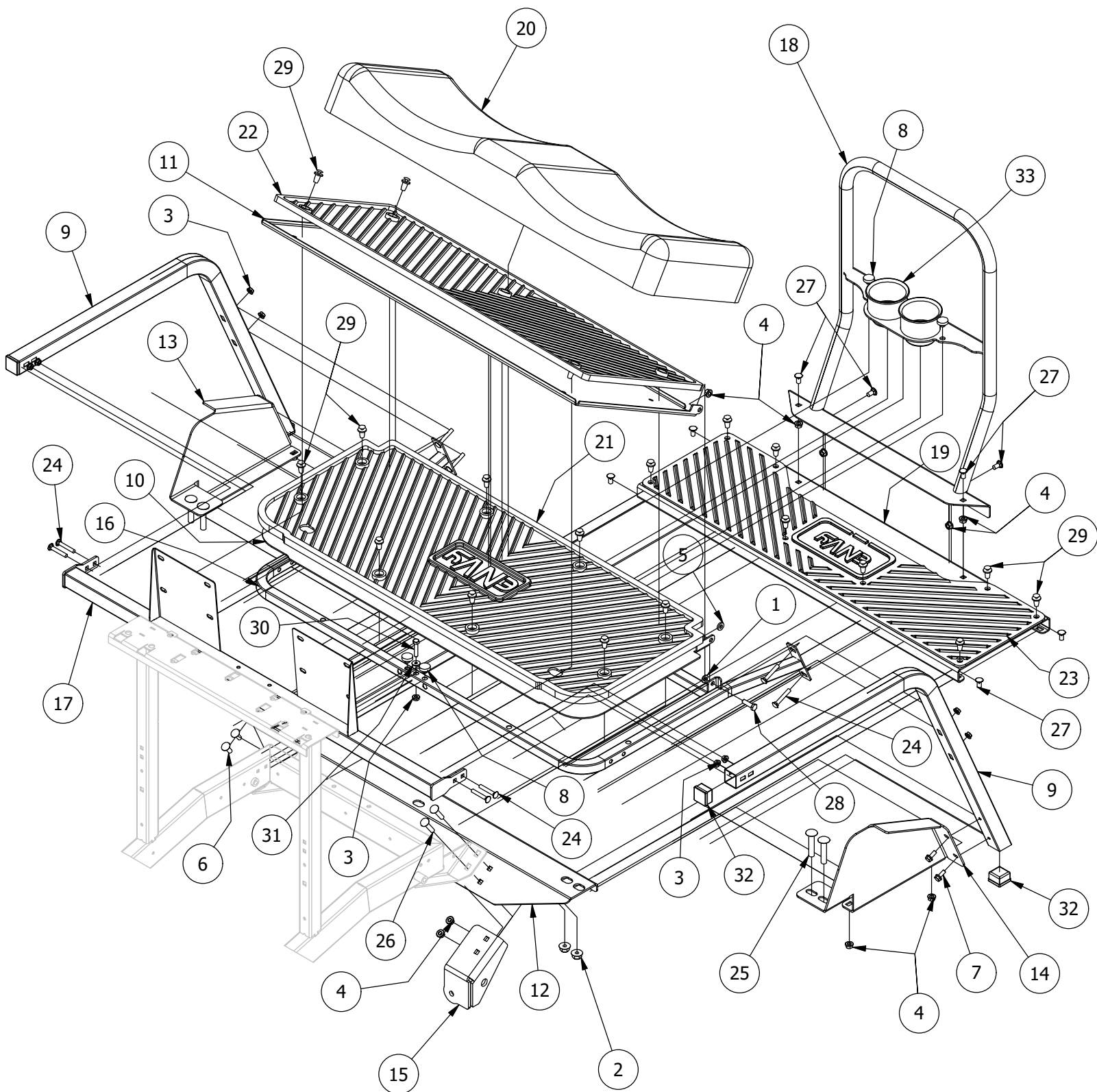
| Front Plastic and Headlight Assembly | | | |
|--------------------------------------|-----|-------------|---|
| ITEM | QTY | PART NUMBER | DESCRIPTION |
| 1 | 2 | 413-0008-00 | 10-24 NYLON INSERT LOCKNUT 18-8 SS |
| 2 | 2 | 418-0026-00 | 1/4-20 X 3/4 CARRIAGE BOLT ZINC YELLOW |
| 3 | 2 | 418-0036-00 | 5/16-18 X 1-1/4 HEX TAP BOLT ZINC GR8 |
| 4 | 6 | 418-0054-00 | 5/16-18 X 3/4 HEX C/S ZINC |
| 5 | 1 | 526-0021-00 | Envy Fuse Block Plate |
| 6 | 2 | 553-0001-00 | eNVy Hood hinge |
| 7 | 1 | 553-0002-00 | eNVy Hood Latch |
| 8 | 1 | 559-0001-00 | eNVy Front Body Section |
| 9 | 1 | 559-0009-00 | eNVy Hood Section |
| 10 | 1 | 586-0017-00 | eNVy Fuses with Fuse Holder(400A) |
| 11 | 4 | 613-2012-00 | M5 x 0.8 Hex Flange Nut |
| 12 | 8 | 618-1009-00 | M5-.8 X 20MM BUTTON SOCKET C/S 18-8 STAINLESS STEEL |
| 13 | 6 | 618-2134-00 | 12-24 X 1-1/2 PAN PHIL TYPE 23 TCS ZINC |
| 14 | 2 | 618-8056-00 | 10-24 x 1/2 Button Socket C/S 18-8 SS |
| 15 | 4 | 619-4012-00 | .255 ID x .500 OD x .075 Thick TFE Washer |
| 16 | 8 | 619-8044-00 | 5/16 USS Flat Washer Zinc |
| 17 | 6 | 630-2030-50 | 10 x 3/4 Pan Philips Tek Screw |
| 18 | 1 | 693-3575-00 | LSV HORN |
| 19 | 1 | 786-0039-00 | Headlight Assembly Left MY2018 |
| 20 | 1 | 786-0040-00 | Headlight Assembly Right MY2018 |

Display Assembly



| Display Assembly | | | |
|------------------|-----|-------------|---|
| ITEM | QTY | PART NUMBER | DESCRIPTION |
| 1 | 2 | 418-0026-00 | 1/4-20 X 3/4 CARRIAGE BOLT ZINC YELLOW |
| 2 | 1 | 526-0020-00 | Envy Control Panel Plate |
| 3 | 1 | 526-0021-00 | Envy Fuse Block Plate |
| 4 | 1 | 586-0001-00 | eNVy Electric Wiring Harness |
| 5 | 1 | 586-0009-00 | Envy Horn Push Button Switch |
| 6 | 1 | 586-0012-00 | Envy Forward/Reverse Switch (MFR. #8961K5021) |
| 7 | 1 | 586-0014-00 | eNVy 7" Graphic Display |
| 8 | 1 | 586-0017-00 | eNVy Fuses with Fuse Holder(400A) |
| 9 | 1 | 586-0018-00 | eNVy Push To Start Switch |
| 10 | 1 | 586-0019-00 | eNVy/ Stand On Mower Dual Power Port |
| 11 | 1 | 586-0028-00 | Envy Lithium Battery Harness |
| 12 | 1 | 586-0029-00 | Envy Lithium Battery Jumper Harness – Short |
| 13 | 4 | 618-8056-00 | 10-24 x 1/2 Button Socket C/S 18-8 SS |
| 14 | 6 | 630-2030-50 | 10 x 3/4 Pan Philips Tek Screw |
| 15 | 1 | 786-2035-00 | Head Light Hi/Off/Lo Beam Switch Vertical Mount |

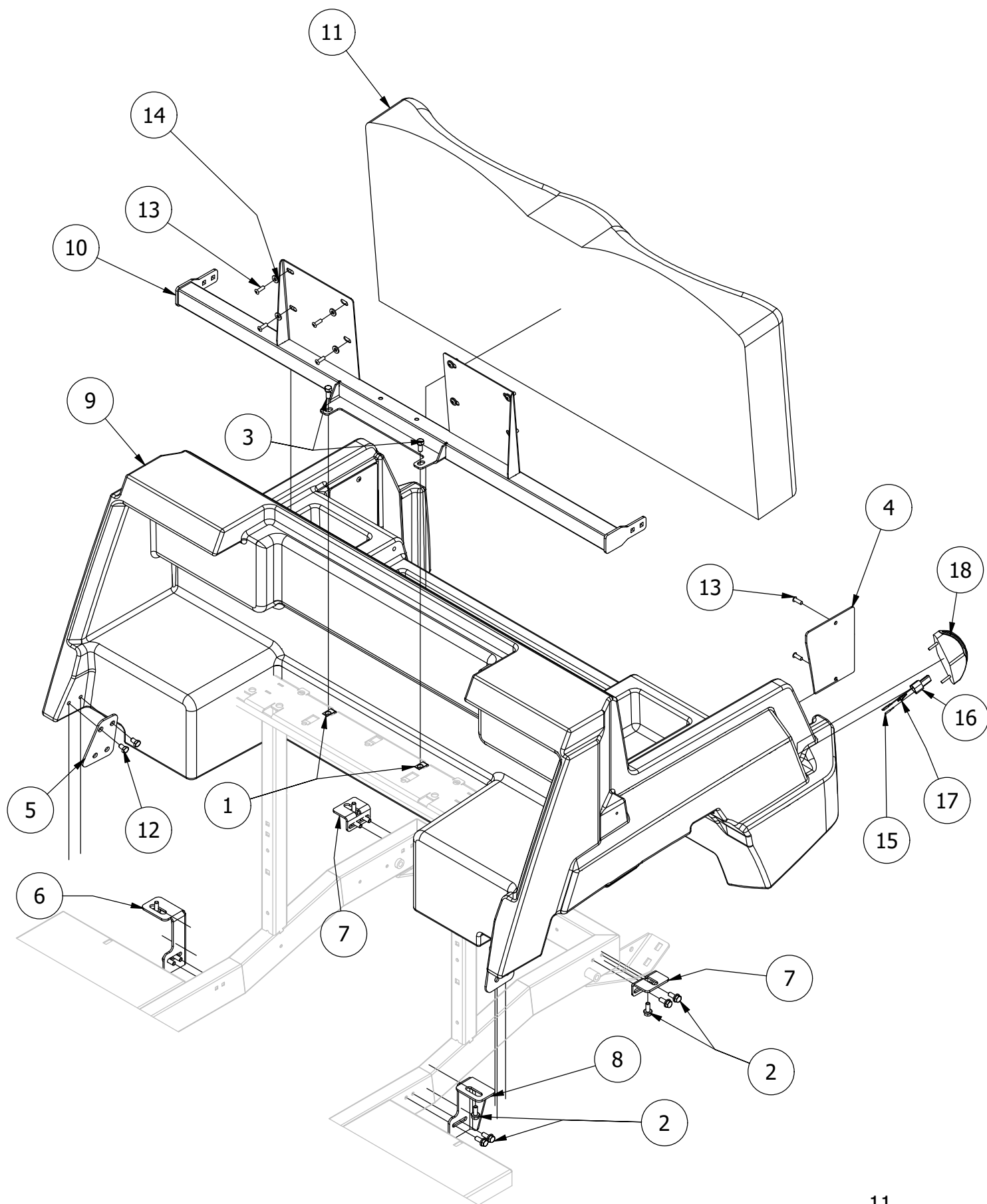
Rear Seat Mounting Assembly



Rear Seat Mounting Assembly

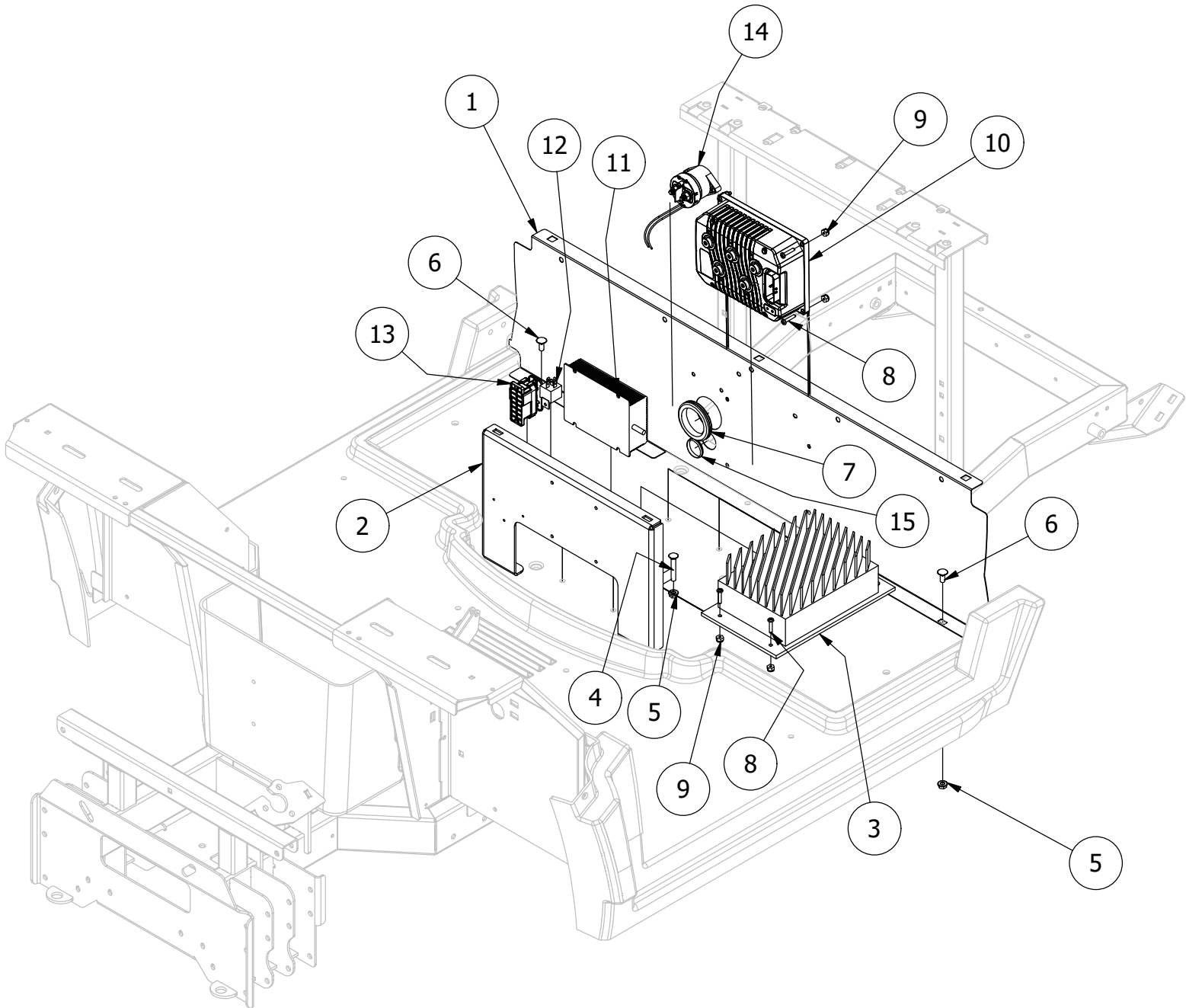
| ITEM | QTY | PART NUMBER | DESCRIPTION |
|------|-----|-------------|---|
| 1 | 2 | 410-0011-00 | 3/8 X 3/4 Bronze Washer |
| 2 | 4 | 413-0002-00 | 1/2-13 NYLON INSERT FLANGE LOCKNUT ZC YELLOW |
| 3 | 9 | 413-0022-00 | 5/16-18 HEX FLANGE NUT W/SERR ZINC YELLOW |
| 4 | 14 | 413-0029-00 | 3/8-16 NYLON INSERT FLANGE L/NUT ZC YELLOW |
| 5 | 2 | 413-0052-00 | 3/8 ID X 3/4 OD X .125 THK BRONZE WASHER |
| 6 | 2 | 418-0045-00 | 3/8-16 X 1 Carriage Bolt Zinc Yellow |
| 7 | 4 | 418-0049-00 | 5/16-18 X 3/4 IND HWH TRI LOB ZINC |
| 8 | 4 | 429-0002-00 | Push-In Rubber Bumper, Mower Floor |
| 9 | 2 | 503-0035-00 | Envy Rear Seat Frame Side Rail |
| 10 | 1 | 526-0003-00 | Envy Rear Seat Deck Plate |
| 11 | 1 | 526-0004-00 | Envy Rear Seat Mounting Plate |
| 12 | 1 | 539-0064-00 | Envy Tailgate Side Body Support |
| 13 | 1 | 539-0109-00 | Envy Right Rear Step Mounting Bracket |
| 14 | 1 | 539-0110-00 | Envy Left Rear Step Mounting Bracket |
| 15 | 1 | 539-0112-00 | Envy Track Bar Frame Mount Bracket |
| 16 | 1 | 570-0027-00 | Envy Rear Seat Bottom Tube Assembly |
| 17 | 1 | 570-0028-00 | Envy Rear Top Seat Frame Assembly |
| 18 | 1 | 570-0031-02 | Envy Electric Rear Handle Assembly |
| 19 | 1 | 570-0034-02 | Envy Rear Foot Rest Bracket Assembly |
| 20 | 1 | 571-0006-00 | eNVy Neutral Rear Seat Bottom |
| 21 | 1 | 581-0001-00 | Envy Rear Rubber Mat Storage Top |
| 22 | 1 | 581-0002-00 | Envy Rear Rubber Mat Under Seat |
| 23 | 1 | 581-0003-00 | Envy Rear Rubber Foot Rest Floor Mat |
| 24 | 8 | 618-1005-00 | 5/16-18 X 2 CARRIAGE BOLT ZINC YELLOW ZINC YELLOW |
| 25 | 4 | 618-1090-00 | 1/2"-13 x 2 1/2" Carriage Head yellow |
| 26 | 2 | 618-2048-00 | 3/8" -16 x 1-3/4" G8 Carriage Bolt |
| 27 | 8 | 618-2068-00 | 3/8 x 3/4" GR 8 Carr Bolts Zinc |
| 28 | 2 | 618-6051-00 | 3/8-16 x 1-1/4 HEX C/S (GR.8) ZC/YEL |
| 29 | 21 | 618-6065-00 | AUEVCO P/N 17216 HOLE PLUG BLACK |
| 30 | 1 | 618-8066-00 | 5/16-18 x 1-1/2 Hex Tap Bolt Gr 5 zinc |
| 31 | 1 | 619-1051-00 | .525 DI X 1.375 OD X .125 THK NYLON F/W |
| 32 | 4 | 714-1007-00 | 1-1/2 Square Plastic Tubing Plug 16-20 GA |
| 33 | 2 | 780-2220-00 | Cup Holder |

Rear Plastics and Seat Back Assembly



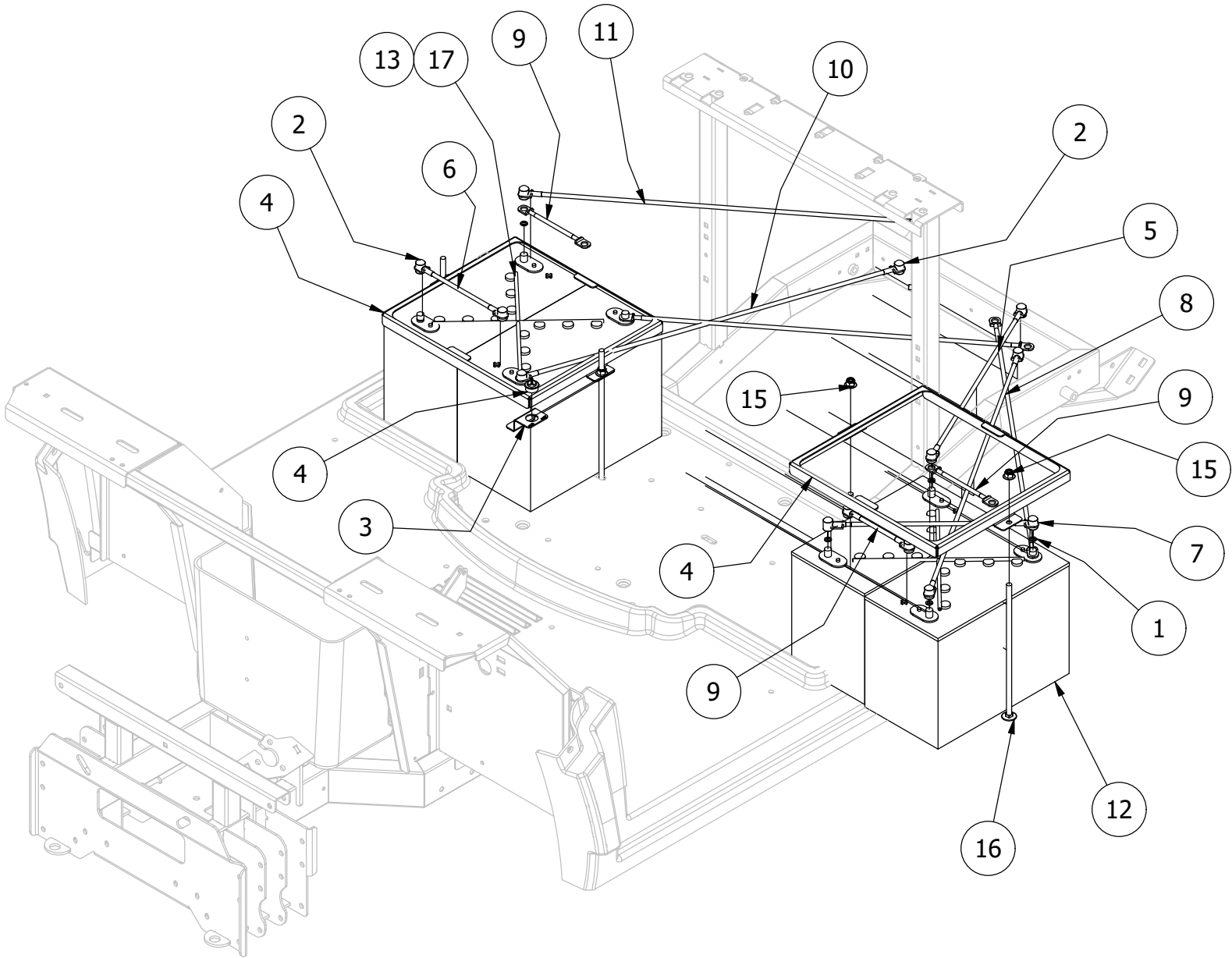
| Rear Plastic and Seat Back Assembly | | | |
|-------------------------------------|-----|-------------|---|
| ITEM | QTY | PART NUMBER | DESCRIPTION |
| 1 | 2 | 413-0053-00 | 5/16 Cage Nut |
| 2 | 12 | 418-0049-00 | 5/16-18 X 3/4 IND HWH TRI LOB ZINC |
| 3 | 2 | 418-0054-00 | 5/16-18 X 3/4 HEX C/S ZINC |
| 4 | 2 | 526-0012-00 | Envy Tail light Bed Access Panel |
| 5 | 2 | 526-0024-00 | Envy Floor Section Rear Mount Plate |
| 6 | 1 | 539-0050-00 | Envy Body Middle Mounting Brkt Right side |
| 7 | 2 | 539-0051-00 | Envy Body Plastic Rear Mounting Bracket |
| 8 | 1 | 539-0107-00 | Envy Body Middle Mounting Brkt Left Side |
| 9 | 1 | 559-0003-00 | eNVy Rear Body Section |
| 10 | 1 | 570-0028-00 | Envy Rear Top Seat Frame Assembly |
| 11 | 1 | 571-0007-00 | eNVy Front Seat Back |
| 12 | 4 | 618-1085-00 | 5/16-18 X 1/2 Hex C/S GR 5 Zinc |
| 13 | 12 | 618-2017-50 | 1/4-20 X 3/4" BH SOC SS BLK |
| 14 | 8 | 619-0010-50 | 1/4 FLAT WASHER BLACK 18-8 BLACK ZINC |
| 15 | 6 | 688-1012-00 | Headlight Recept. Pin |
| 16 | 2 | 688-1020-00 | Tail-Brake Light Receptical |
| 17 | 2 | 688-1022-00 | W3P Deutsch Receptcal Wedge |
| 18 | 2 | 786-0014-00 | Stop/Tail Light - Large UTV |

Under Seat Compartment Assembly



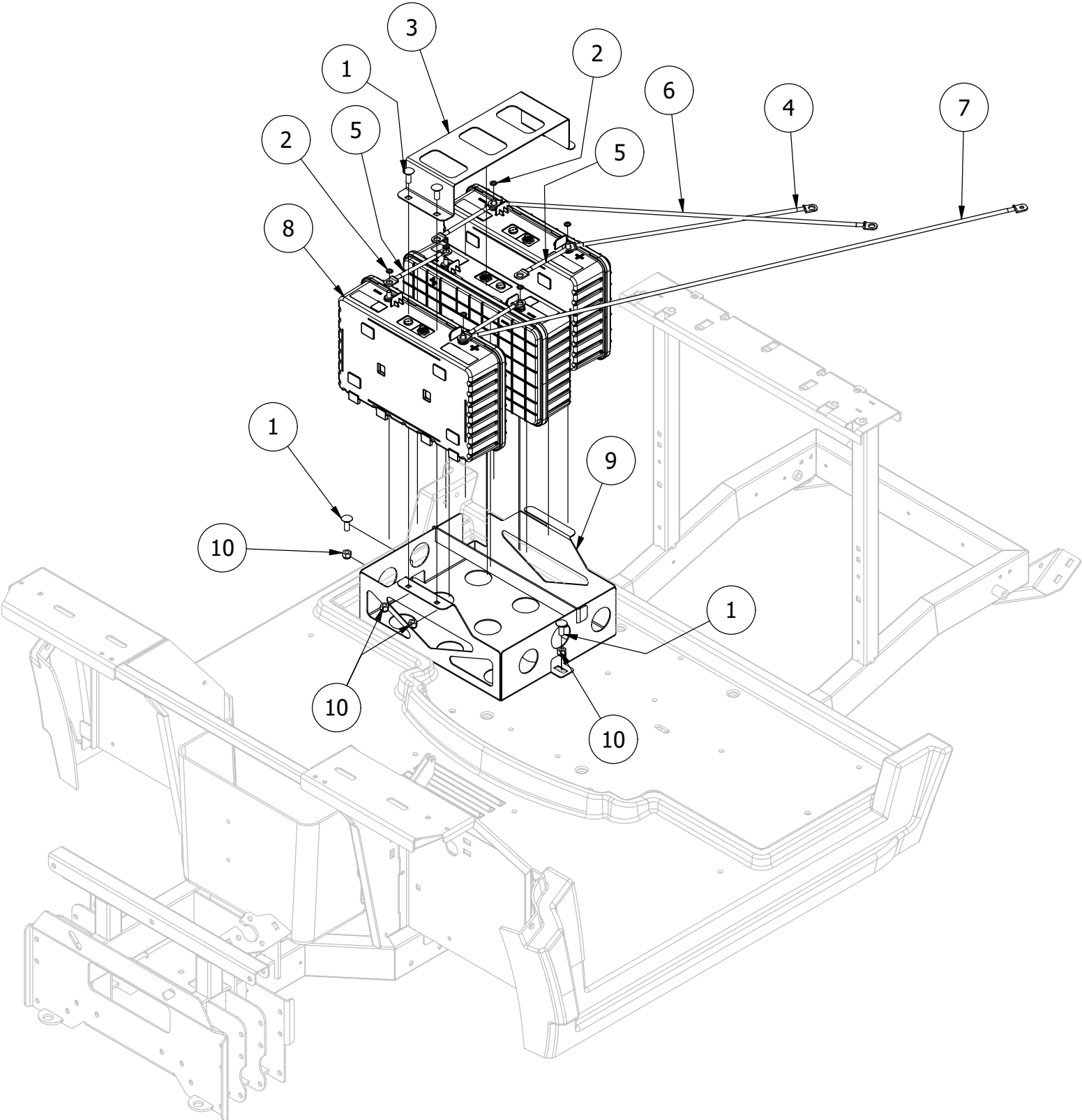
| Under Seat Compartment Assembly | | | |
|---------------------------------|-----|-------------|---|
| ITEM | QTY | PART NUMBER | DESCRIPTION |
| 1 | 1 | 539-0099-00 | Envy Rear Firewall Panel |
| 2 | 1 | 539-0103-00 | Envy Seat Front Panel Support Brkt |
| 3 | 1 | 568-0003-00 | Summit Series II 1050W Multi Voltage Charger |
| 4 | 2 | 618-1005-00 | 5/16-18 X 2 CARRIAGE BOLT ZINC YELLOW ZINC YELLOW |
| 5 | 4 | 413-0022-00 | 5/16-18 HEX FLANGE NUT W/SERR ZINC YELLOW |
| 6 | 2 | 418-0008-00 | 5/16-18 X 3/4 CARRIAGE BOLT ZINC |
| 7 | 1 | 619-0020-00 | Rubber Grammet-Rear Fire Wall |
| 8 | 8 | 618-1039-00 | 10C100MPP0Z - 10-24 X 1 PAN PHIL M/S ZC |
| 9 | 8 | 613-5019-00 | 10-24 Nylon Insert Locknut |
| 10 | 1 | 586-0010-00 | eNVy 1234SE-5421 Controller |
| 11 | 1 | 686-0001-00 | 48/12V "Key-On" Converter (STDC-48-13-700W) |
| 12 | 1 | 586-0025-00 | Envy Reverse/Alarm 12V Relay |
| 13 | 1 | 586-0020-00 | Envy Power Control Relay (Gigavac P114bda) |
| 14 | 1 | 515-0007-00 | eNVy Main Contactor (Gigavac GV251FPX) |
| 15 | 1 | 619-0069-00 | 1" ID X 1/16" GRV WIDTH RUBBER GROMMET |

Lead Acid Battery Assembly



| Lead Acid Battery Assembly | | | |
|----------------------------|-----|-------------|---|
| ITEM | QTY | PART NUMBER | DESCRIPTION |
| 1 | 8 | 419-0009-00 | 5/16 SPLIT LOCKWASHER ZINC |
| 2 | 14 | 436-0003-00 | STRAIGHT INSULATING TERMINAL COVER BLK |
| 3 | 1 | 539-0100-00 | eNVy Run/Tow Switch Brkt |
| 4 | 2 | 539-0101-00 | Envy Battery Hold Down-2 Battery Lead Acid Only |
| 5 | 1 | 564-0005-00 | Envy Battery Cable 18.75" Solenoid to B+ Controler |
| 6 | 1 | 564-0006-00 | Envy Battery Cable 8.125" Solenoid to Fuse Block |
| 7 | 1 | 564-0007-00 | Envy BTRY Cable 13.875" Fuse Block to BTRY Pos. |
| 8 | 1 | 564-0008-00 | Envy BTRY Cable 29.5" BTRY Negative to Controler B- |
| 9 | 3 | 564-0009-00 | Envy BTRY Cable 6" BTRY Pos. to BTRY Negative |
| 10 | 1 | 564-0010-00 | Envy BTRY Cable 29.625" BTRY Pos. to BTRY Negative |
| 11 | 3 | 564-0011-00 | Envy BTRY Cable 28.4375" Controler to Motor |
| 12 | 4 | 568-0001-00 | eNVy Interstate Lead Acid Battery (Interstate# GC12-HCL-UTL |
| 13 | 1 | 568-0004-00 | eNVy Battery Watering Hand Pump With Quick Connect |
| 14 | 1 | 586-0023-00 | eNVy Run/Tow Switch |
| 15 | 4 | 613-5202-00 | 3/8-16 Nylock Flange Nut |
| 16 | 4 | 618-2010-00 | 3/8 -16x11 Carriage Bolt |
| 17 | 1 | 668-0001-00 | 2020 Battery Watering Kit |

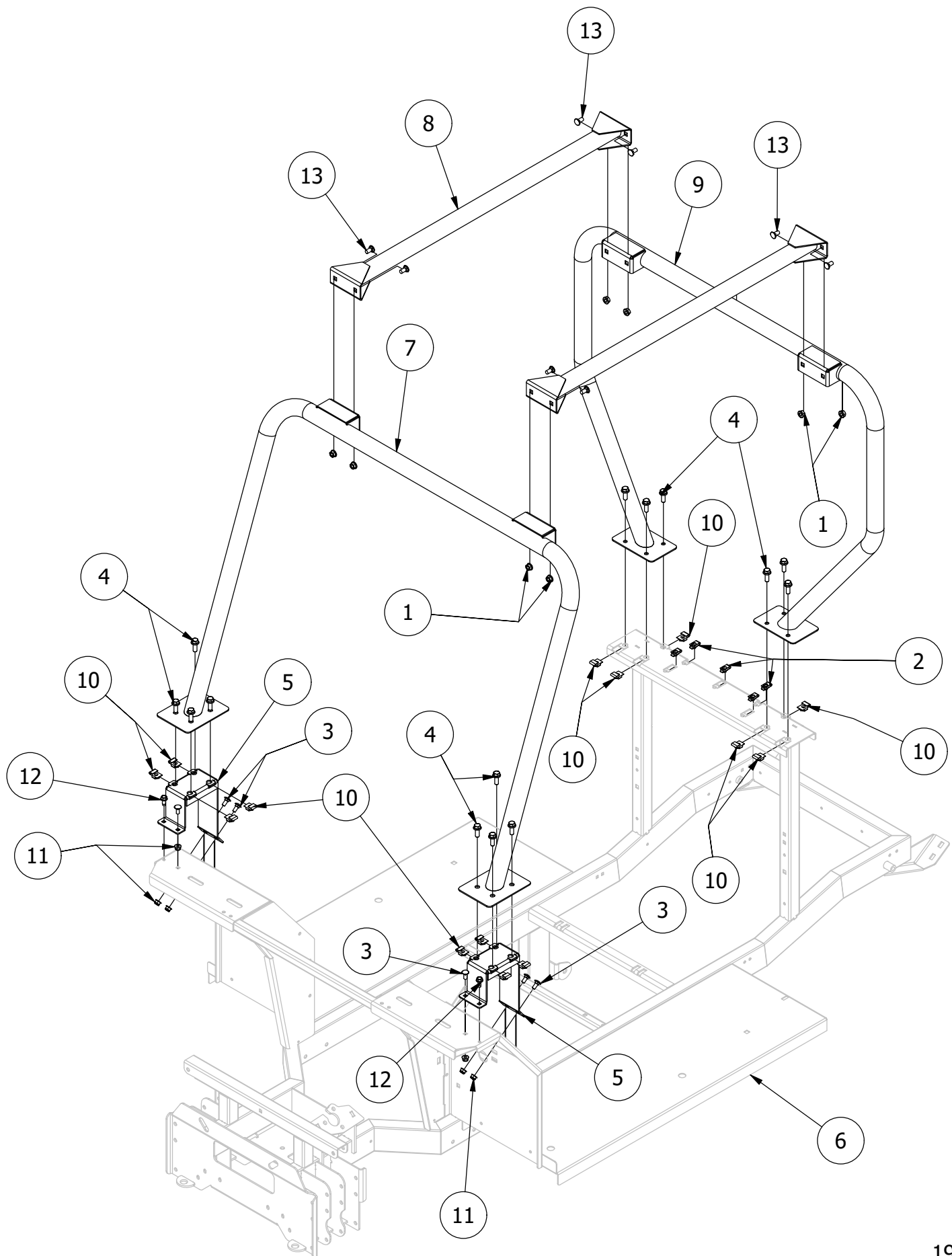
Lithium Battery Assembly



Lithium Battery Assembly

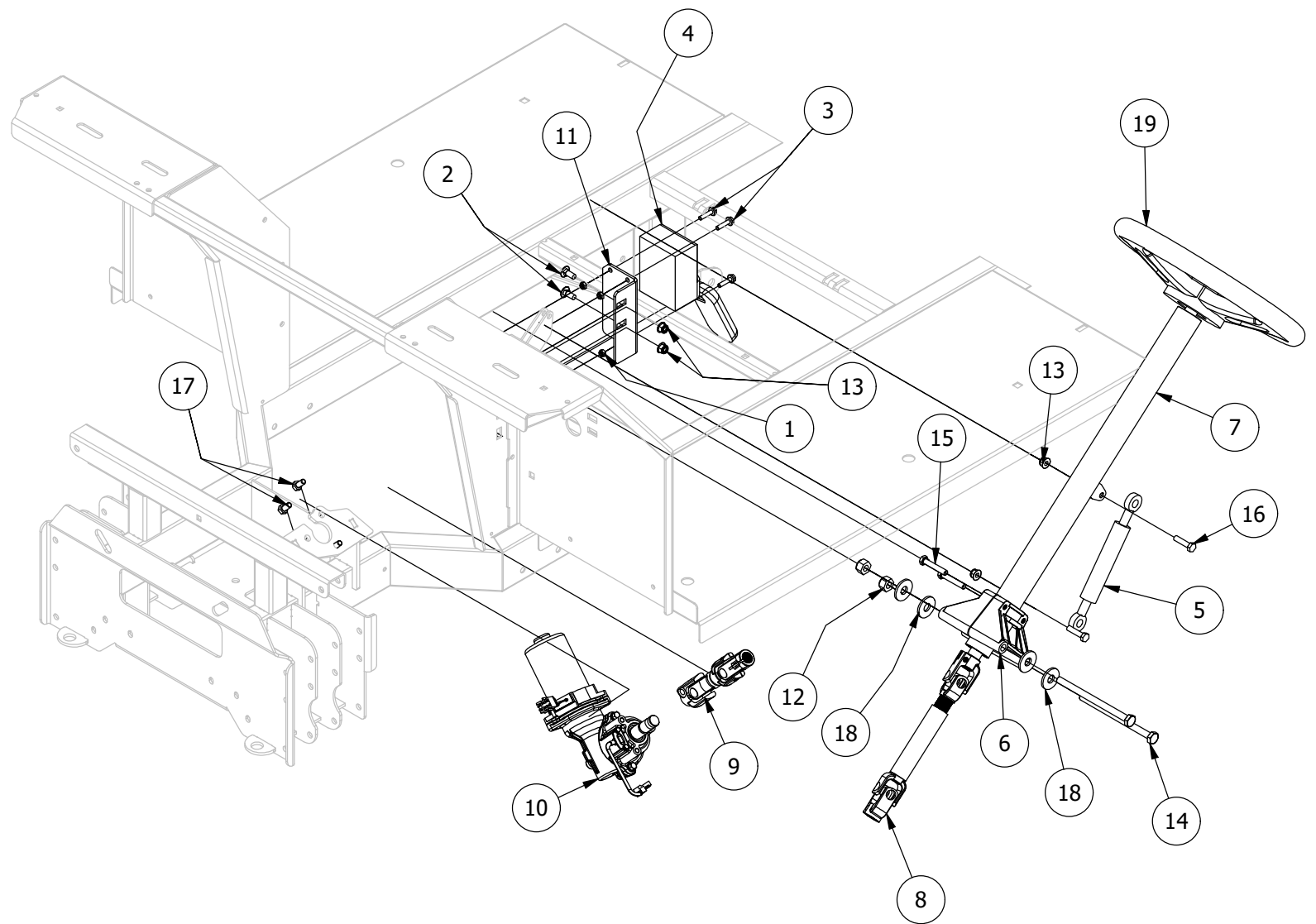
| ITEM | QTY | PART NUMBER | DESCRIPTION |
|------|-----|-------------|--|
| 1 | 4 | 418-0045-00 | 3/8-16 X 1 Carriage Bolt Zinc Yellow |
| 2 | 6 | 419-0009-00 | 5/16 SPLIT LOCKWASHER ZINC |
| 3 | 1 | 539-0134-00 | Envy Lithium Battery Box Top Mount Bracket |
| 4 | 1 | 564-0005-00 | Envy Battery Cable 18.75" Solenoid to B+ Controler |
| 5 | 4 | 564-0009-00 | Envy BTRY Cable 6" BTRY Pos. to BTRY Negative |
| 6 | 1 | 564-0011-00 | Envy BTRY Cable 28.4375" Controler to Motor |
| 7 | 1 | 564-0012-00 | 44.5" Battery Cable |
| 8 | 3 | 568-0002-00 | 2 kWh Lithium Battery Pack |
| 9 | 1 | 570-0042-00 | Envy Lithium Battery Box Mount Assembly |
| 10 | 4 | 613-5041-00 | 3/8-16 Nylon Insert Locknut |

Upper Frame Assembly



| Upper Frame Assembly | | | |
|----------------------|-----|-------------|---|
| ITEM | QTY | PART NUMBER | DESCRIPTION |
| 1 | 8 | 413-0029-00 | 3/8-16 NYLON INSERT FLANGE L/NUT ZC YELLOW |
| 2 | 5 | 413-0053-00 | 5/16 Cage Nut |
| 3 | 6 | 418-0008-00 | 5/16-18 X 3/4 CARRIAGE BOLT ZINC |
| 4 | 14 | 418-0040-00 | 3/8-16 X 1 HEX FLANGE BOLT GR 8 ZC YELLOW |
| 5 | 2 | 539-0021-00 | Envy Front Brush Guard Frame Mount |
| 6 | 1 | 570-0007-00 | eNVy Electric Frame Assembly |
| 7 | 1 | 570-0045-00 | 2022 Envy A-Pillar Assembly |
| 8 | 2 | 570-0046-00 | 2022 Envy 4 Cross Brace Assembly |
| 9 | 1 | 570-0048-00 | 2022 Envy B-Pillar Assembly |
| 10 | 14 | 613-0066-00 | 3/8-16 J-TYPE NUT RETAINER (.090/.140 PR) ZC |
| 11 | 6 | 613-8049-00 | 5/16-18 Nylon Insert Flange Nut Zinc Orange Nylon |
| 12 | 2 | 618-2021-00 | 5/16" - 18 3/4" Ind Hex Washr Hd - Type F |
| 13 | 8 | 618-2068-00 | 3/8 x 3/4" GR 8 Carr Bolts Zinc |

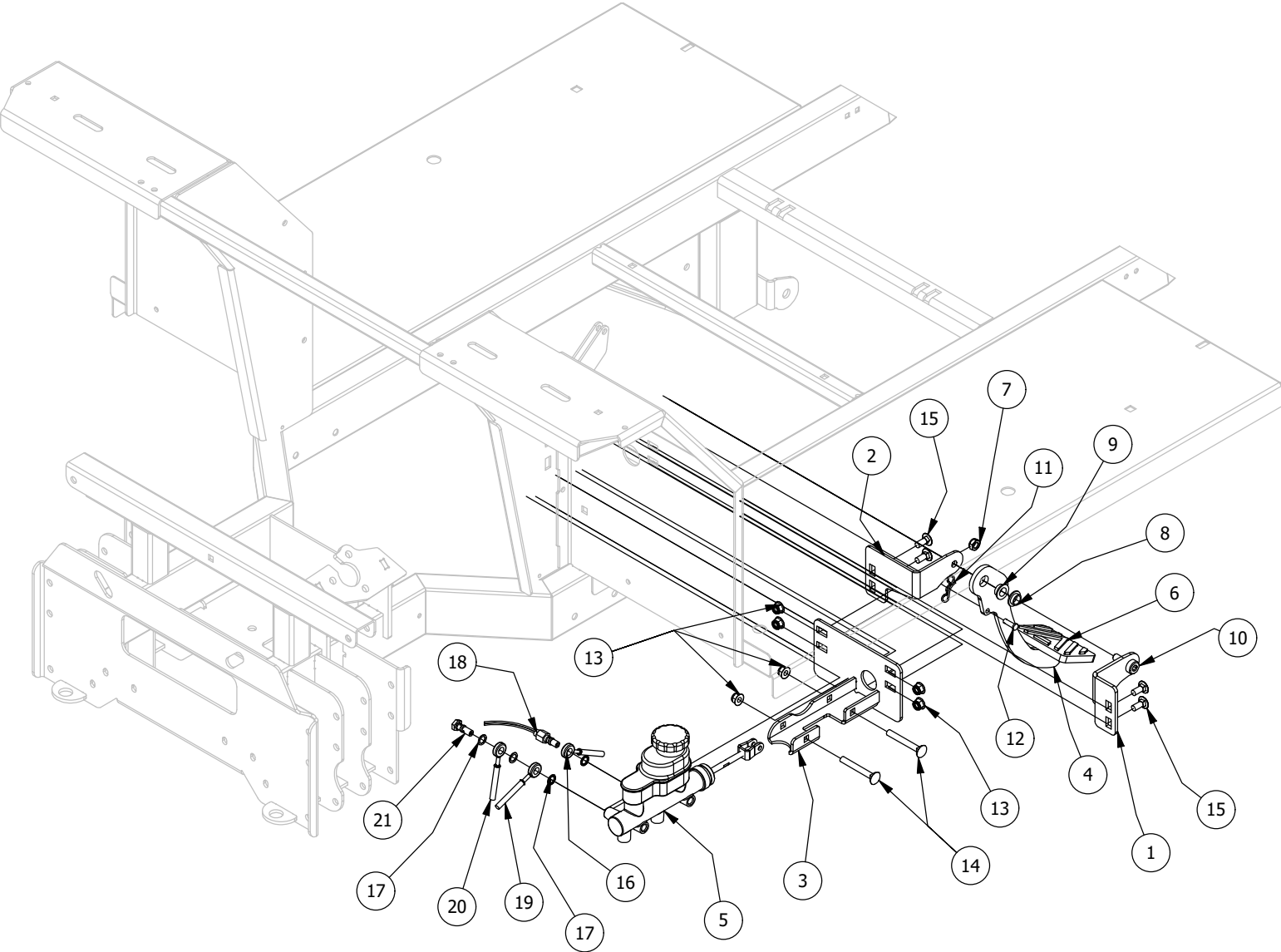
Pedal and Steering Assembly



Pedal and Steering Assembly

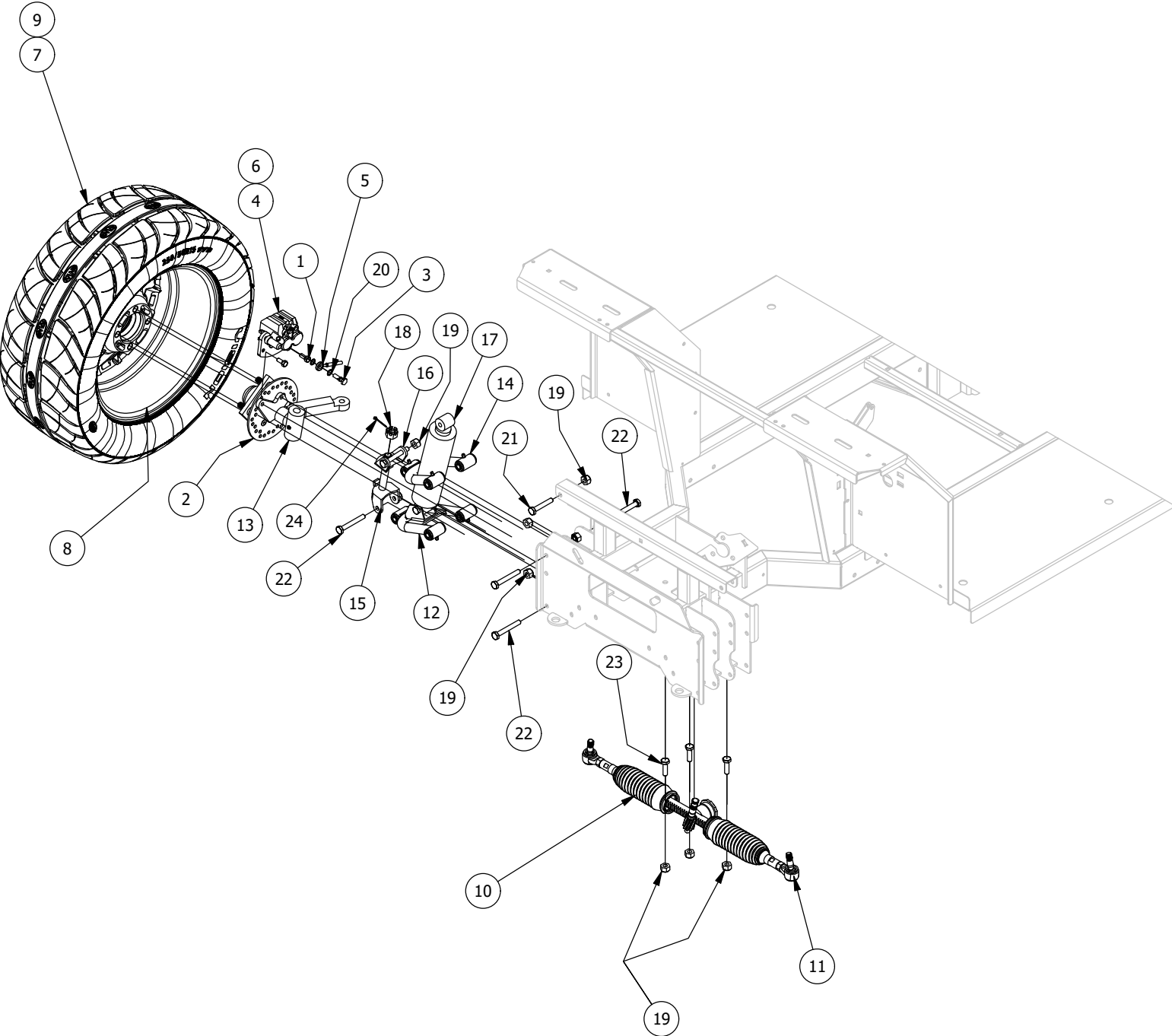
| ITEM | QTY | PART NUMBER | DESCRIPTION |
|------|-----|-------------|--|
| 1 | 3 | 413-0070-00 | M6-1.0 DIN 985 NYL INS (CL. 10) L/N ZC/Y |
| 2 | 2 | 418-0008-00 | 5/16-18 X 3/4 CARRIAGE BOLT ZINC |
| 3 | 3 | 418-0088-00 | M6-1.0 X 25MM ASME B18.2.3.4M HEX FLANGE BOLT (CL 10.9) ZC/Y |
| 4 | 1 | 515-0005-00 | Envy Electric Accelerator Pedal |
| 5 | 1 | 522-0005-00 | eNVy Steering Tilt Shock |
| 6 | 1 | 537-0001-00 | eNVy Compound Joint |
| 7 | 1 | 537-0002-00 | eNVy Upper Steering Shaft with Steering Column |
| 8 | 1 | 537-0004-00 | eNVy EPS Upper Shaft |
| 9 | 1 | 537-0005-00 | eNVy EPS Lower Shaft |
| 10 | 1 | 537-0006-00 | eNVy EPS Motor |
| 11 | 1 | 539-0106-00 | Envy Electric Accelerator Pedal Mount Brkt |
| 12 | 2 | 613-1000-00 | M10-1.5 DIN 985 NYLON INSERT LOCKNUT ZINC YELLOW |
| 13 | 4 | 613-8049-00 | 5/16-18 Nylon Insert Flange Nut Zinc Orange Nylon |
| 14 | 2 | 618-1001-00 | M10-1.5 X 150MM DIN 931 HEX BOLT CL. 8.8 ZINC YELLOW |
| 15 | 2 | 618-1004-00 | M8x1.25-1.25 X 45MM DIN 931 HEX BOLT CL. 8.8 ZINC YELLOW |
| 16 | 2 | 618-1077-50 | 5/16x1-1/4 G8, Black Hex Bolt |
| 17 | 3 | 618-2063-00 | M8-1.25 X 16MM HEX BOLT CL. 8.8 ZINC |
| 18 | 4 | 619-0063-00 | .525 DI X 1.375 OD X .125 THK NYLON F/W |
| 19 | 1 | 722-2505-00 | Intimidator Steering Wheel, GC1K and Envy |

Brake Pedal Assembly



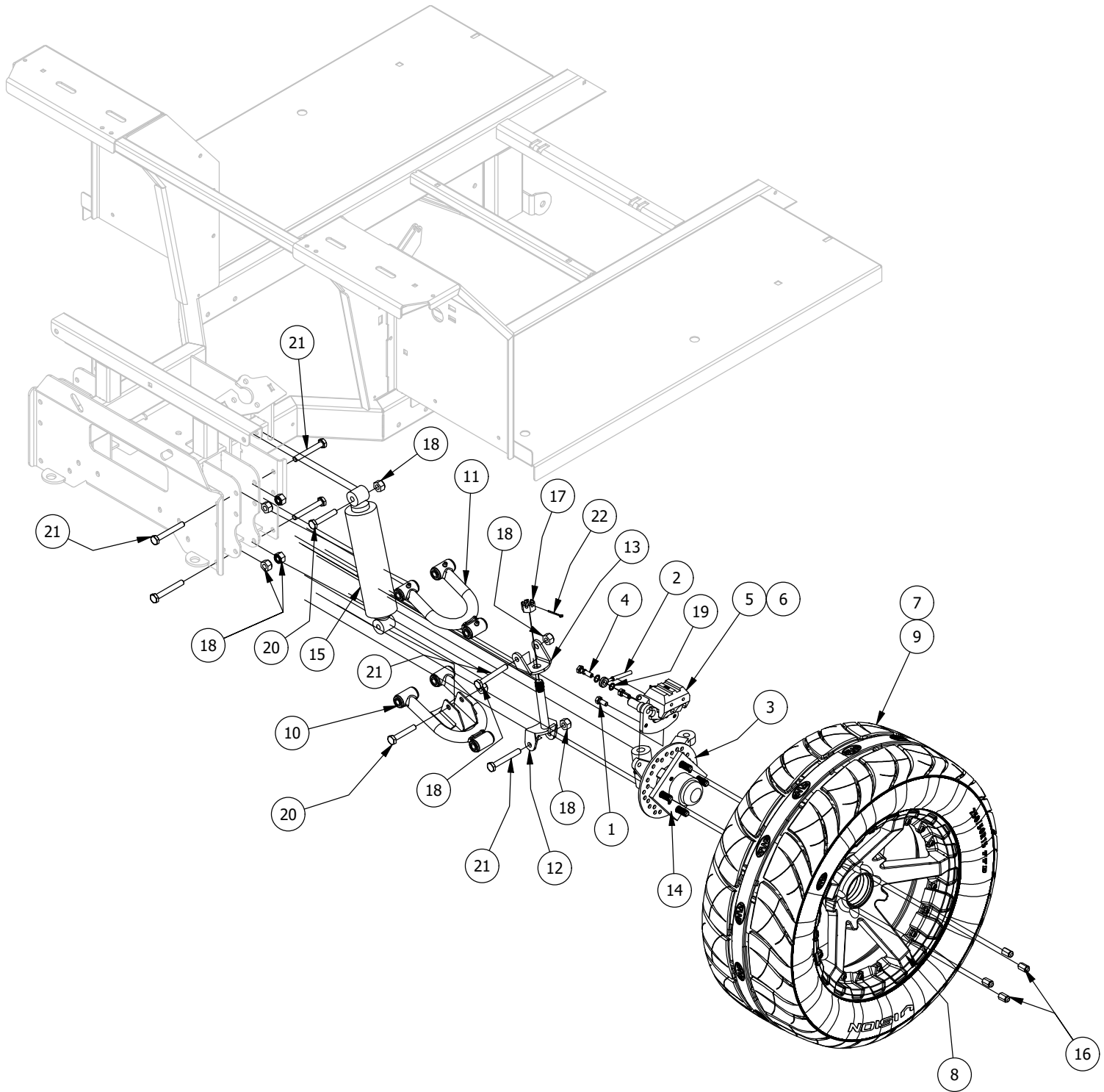
| Brake Pedal Assembly | | | |
|----------------------|-----|-------------|---|
| ITEM | QTY | PART NUMBER | DESCRIPTION |
| 1 | 1 | 539-0111-00 | Envy Left Brake Pedal Mount Brkt |
| 2 | 1 | 539-0105-00 | Envy Right Brake Pedal Mount Brkt |
| 3 | 1 | 570-0029-00 | eNVy Master Cylinder Bracket Assembly |
| 4 | 1 | 570-0016-02 | Envy Brake Pedal Assembly |
| 5 | 1 | 716-1000-00 | Master Cylinder, Dual Cylinder |
| 6 | 1 | 516-0006-00 | eNVy Brake Pedal Pad |
| 7 | 1 | 613-2004-00 | 3/8"-16 Nyloc Jam Nut |
| 8 | 1 | 732-2003-00 | Bushing, Oil Impregnated |
| 9 | 1 | 632-5000-00 | 1/2 IDx 5/8 x 5/16 OIB Bushing |
| 10 | 1 | 618-6062-00 | 1/2" x 5/8" Soc. Shoulder Bolt |
| 11 | 1 | 620-1002-00 | Bow Tie Clip |
| 12 | 1 | 620-1000-00 | Clevis Pin, 1/4" x 3/4" |
| 13 | 6 | 613-8049-00 | 5/16-18 Nylon Insert Flange Nut Zinc Orange Nylon |
| 14 | 2 | 618-2019-00 | 5/16" - 18 X 2-1/2" Carriage Bolt |
| 15 | 4 | 418-0008-00 | 5/16-18 X 3/4 CARRIAGE BOLT ZINC |
| 16 | 1 | 516-0009-00 | eNVy Rear Right Brake Line |
| 17 | 5 | 616-1025-00 | 10 mm copper crush washer |
| 18 | 1 | 777-1011-00 | Brake Switch-Banjo-2012 |
| 19 | 1 | 516-0004-00 | eNVy Front Left Brake Line |
| 20 | 1 | 516-0015-00 | eNVy Front Right Brake Line |
| 21 | 1 | 716-1017-00 | Banjo Bolt-Double-10mm-1.0 |

Right Wheel and Brake Assembly



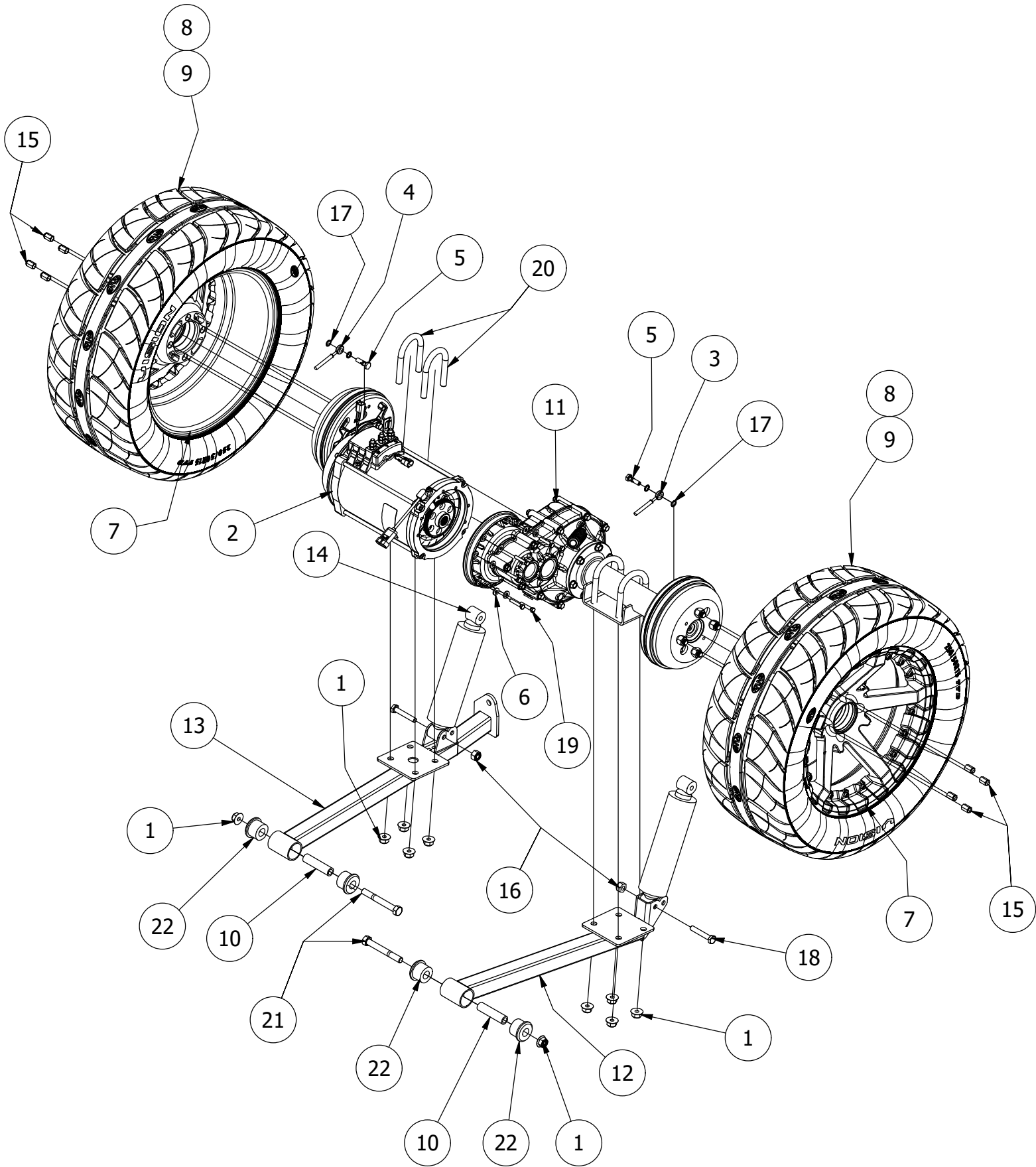
| Right Wheel and Brake Assembly | | | |
|--------------------------------|-----|-------------|---|
| ITEM | QTY | PART NUMBER | DESCRIPTION |
| 1 | 2 | 418-0054-00 | 5/16-18 X 3/4 HEX C/S ZINC |
| 2 | 2 | 516-0011-00 | eNVy Brake Rotor |
| 3 | 1 | 516-0012-00 | eNVy Brake Bolt |
| 4 | 1 | 516-0014-00 | eNVy Front Right Brake Caliper |
| 5 | 1 | 516-0015-00 | eNVy Front Right Brake Line |
| 6 | 2 | 516-0016-00 | eNVy Brake Pad Set |
| 7 | 1 | 522-0001-00 | eNVy Aluminum Wheel (157 Edge) Assembly with 24 x 12 x 12 S |
| 8 | 1 | 522-0002-00 | 2021 eNVy Wheel (Vision 15X7 Wheel Only) |
| 9 | 1 | 522-0003-00 | 2021 eNVy Tire (Vision 250/50-R15 Tire) |
| 10 | 1 | 531-0001-00 | eNVy Rack and Pinion |
| 11 | 2 | 539-0001-00 | eNVy Rack and Pinion Replacement Boot |
| 12 | 1 | 570-0001-00 | eNVy Front Lower Swing Arm (L&R) Assembly |
| 13 | 1 | 570-0006-00 | eNVy Front Right Spindle Assembly |
| 14 | 1 | 570-0008-00 | eNVy Front Upper Swing Arm Right |
| 15 | 1 | 570-0025-00 | eNVy Right Front Lower Swing Arm Clevis Assembly |
| 16 | 1 | 570-0026-00 | eNVy Right Front Upper Swing Arm Clevis Assembly |
| 17 | 1 | 587-0001-00 | ENVy Front Shock Absorber |
| 18 | 1 | 613-0010-00 | M16-1.5 DIN 937 HEX THIN CASTLE NUT ZINC YELLOW |
| 19 | 11 | 613-1000-00 | M10-1.5 DIN 985 NYLON INSERT LOCKNUT ZINC YELLOW |
| 20 | 2 | 616-1025-00 | 10 mm copper crush washer |
| 21 | 2 | 618-1000-00 | M10-1.5 X 60MM HEX BOLT CL. 8.8 ZINC YELLOW |
| 22 | 6 | 618-1001-00 | M10-1.5 X 75MM DIN 931 HEX BOLT CL. 8.8 ZINC YELLOW |
| 23 | 3 | 618-1002-00 | M10-1.5 X 35MM DIN 931 HEX BOLT CL. 8.8 ZINC YELLOW |
| 24 | 1 | 620-7002-00 | 3/32 X 1-1/4 COTTER PIN ZC |

Left Wheel and Brake Assembly



| Left Wheel and Brake Assembly | | | |
|-------------------------------|-----|-------------|---|
| ITEM | QTY | PART NUMBER | DESCRIPTION |
| 1 | 2 | 418-0054-00 | 5/16-18 X 3/4 HEX C/S ZINC |
| 2 | 1 | 516-0004-00 | eNVy Front Left Brake Line |
| 3 | 2 | 516-0011-00 | eNVy Brake Rotor |
| 4 | 1 | 516-0012-00 | eNVy Brake Bolt |
| 5 | 1 | 516-0013-00 | eNVy Front Left Brake Caliper |
| 6 | 2 | 516-0016-00 | eNVy Brake Pad Set |
| 7 | 1 | 522-0001-00 | eNVy Aluminum Wheel (157 Edge) Assembly with 24 x 12 x 12 S |
| 8 | 1 | 522-0002-00 | 2021 eNVy Wheel (Vision 15X7 Wheel Only) |
| 9 | 1 | 522-0003-00 | 2021 eNVy Tire (Vision 250/50-R15 Tire) |
| 10 | 1 | 570-0001-00 | eNVy Front Lower Swing Arm (L&R) Assembly |
| 11 | 1 | 570-0002-00 | eNVy Front Upper Swing Arm Left |
| 12 | 1 | 570-0003-00 | eNVy Left Front Lower Swing Arm Clevis Assembly |
| 13 | 1 | 570-0004-00 | eNVy Left Front Upper Swing Arm Clevis Assembly |
| 14 | 1 | 570-0005-00 | eNVy Front Left Spindle Assembly |
| 15 | 1 | 587-0001-00 | ENVy Front Shock Absorber |
| 16 | 4 | 613-0009-00 | Vision Wheel UTV Lug Nuts |
| 17 | 1 | 613-0010-00 | M16-1.5 DIN 937 HEX THIN CASTLE NUT ZINC YELLOW |
| 18 | 8 | 613-1000-00 | M10-1.5 DIN 985 NYLON INSERT LOCKNUT ZINC YELLOW |
| 19 | 2 | 616-1025-00 | 10 mm copper crush washer |
| 20 | 2 | 618-1000-00 | M10-1.5 X 60MM HEX BOLT CL. 8.8 ZINC YELLOW |
| 21 | 6 | 618-1001-00 | M10-1.5 X 75MM DIN 931 HEX BOLT CL 8.8 ZINC YELLOW |
| 22 | 1 | 620-7002-00 | 3/32 X 1-1/4 COTTER PIN ZC |

Drive System Assembly



| Drive System Assembly | | | |
|-----------------------|-----|-------------|---|
| ITEM | QTY | PART NUMBER | DESCRIPTION |
| 1 | 10 | 413-0002-00 | 1/2-13 NYLON INSERT FLANGE LOCKNUT ZC YELLOW |
| 2 | 1 | 515-0006-00 | eNVy Electric Motor (A-007625_05) |
| 3 | 1 | 516-0007-00 | eNVy Front Left Brake Line |
| 4 | 1 | 516-0008-00 | eNVy Rear Right Brake Line |
| 5 | 2 | 516-0012-00 | eNVy Brake Bolt |
| 6 | 6 | 519-0001-00 | Curtis Controller Washer-Envy |
| 7 | 2 | 522-0002-00 | 2021 eNVy Wheel (Vision 15X7 Wheel Only) |
| 8 | 2 | 522-0003-00 | 2021 eNVy Tire (Vision 250/50-R15 Tire) |
| 9 | 2 | 522-0004-00 | 2021 eNVy Wheel and Tire (15x7 wheel/250/50-R15 Tire) |
| 10 | 2 | 532-0001-00 | Envy Bushing Sleeve |
| 11 | 1 | 556-0002-00 | Envy Limited Slip Rear Axle |
| 12 | 1 | 570-0032-00 | Envy Driver Trailing Arm Assembly |
| 13 | 1 | 570-0033-00 | Envy Passenger Trailing Arm Assembly |
| 14 | 2 | 587-0001-00 | ENVy Front Shock Absorber |
| 15 | 8 | 613-0009-00 | Vision Wheel UTV Lug Nuts |
| 16 | 2 | 613-1000-00 | M10-1.5 DIN 985 NYLON INSERT LOCKNUT ZINC YELLOW |
| 17 | 4 | 616-1025-00 | 10 mm copper crush washer |
| 18 | 2 | 618-1000-00 | M10-1.5 X 60MM HEX BOLT CL. 8.8 ZINC YELLOW |
| 19 | 6 | 618-1010-10 | M6-1.0 X 35MM DIN 933 HEX TAP BOLT (CL 10.9) ZC |
| 20 | 4 | 618-1091-00 | 1/2-13 X 2-5/16 BL X 4" ILL ROUND BEND U BOLT ZINC YELLOW |
| 21 | 2 | 618-2003-00 | 1/2" -13 x 4" Hex Cap Screw Gr 5 |
| 22 | 4 | 732-2000-00 | Large MTV A-Arm Bushing |

591-0003-00
eNVy Hood Decal



591-0009-00
eNVy Driver Side Bed Decal



591-0008-00
eNVy Passenger Side Bed Decal



591-0014-00
eNVy Electric Hood Decal



591-0019-00
eNVy Green Driver Side Bed Decal



591-0018-00
eNVy Green Passenger Side Bed Decal



591-0017-00
eNVy Green Right Side
Vertical Bed Decal



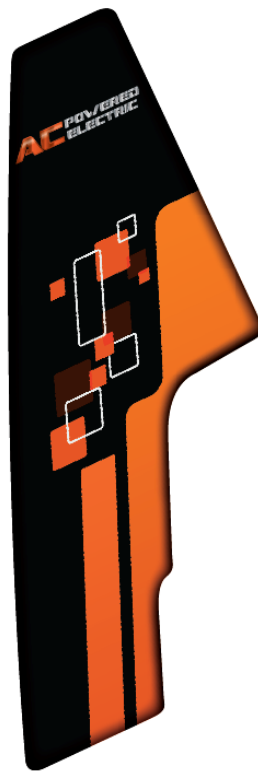
591-0016-00
eNVy Green Left Side
Vertical Bed Decal



591-0007-00
eNVy Right Side
Vertical Bed Decal



591-0006-00
eNVy Left Side
Vertical Bed Decal



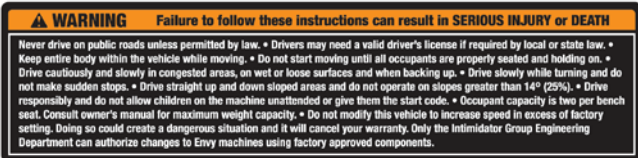
591-0024-00
eNVy Green Hood Decal



591-0023-00
eNVy Green Electric Hood Decal



591-0012-00
eNVy Electric Warning Statement Decal



591-0029-00
Envy Orange Lithium
Passenger Side Bed Decal



591-0030-00
Envy Orange Lithium
Driver Side Bed Decal



591-0032-00
eNVy Green Lithium
Driver Side Bed Decal



591-0031-00
eNVy Green Lithium
Passenger Side Bed Decal



591-0011-00
eNVy Electric Warning Pictorial Decal

