



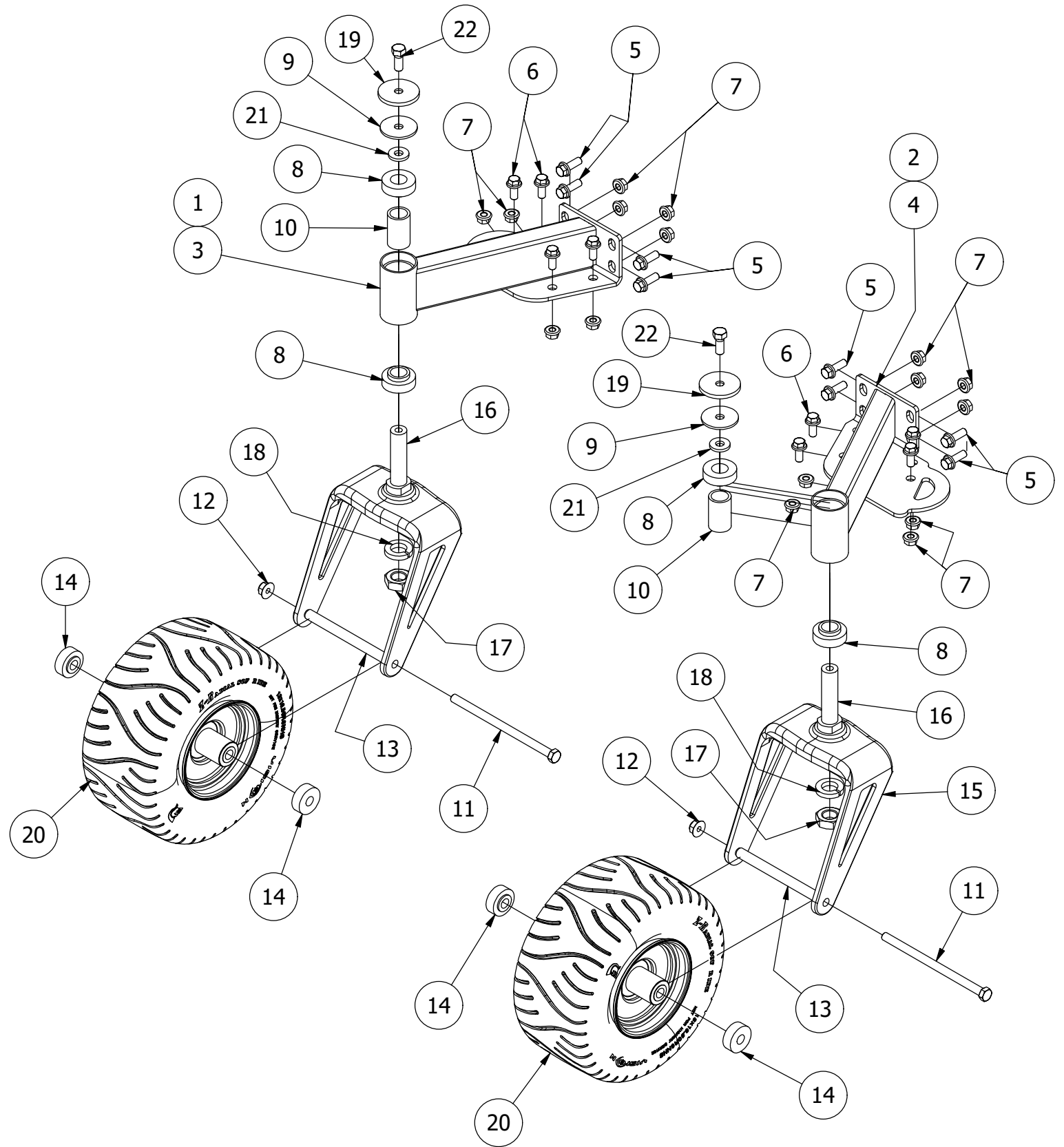
**2022 KG XD**

**Parts Manual**

# Table of Contents

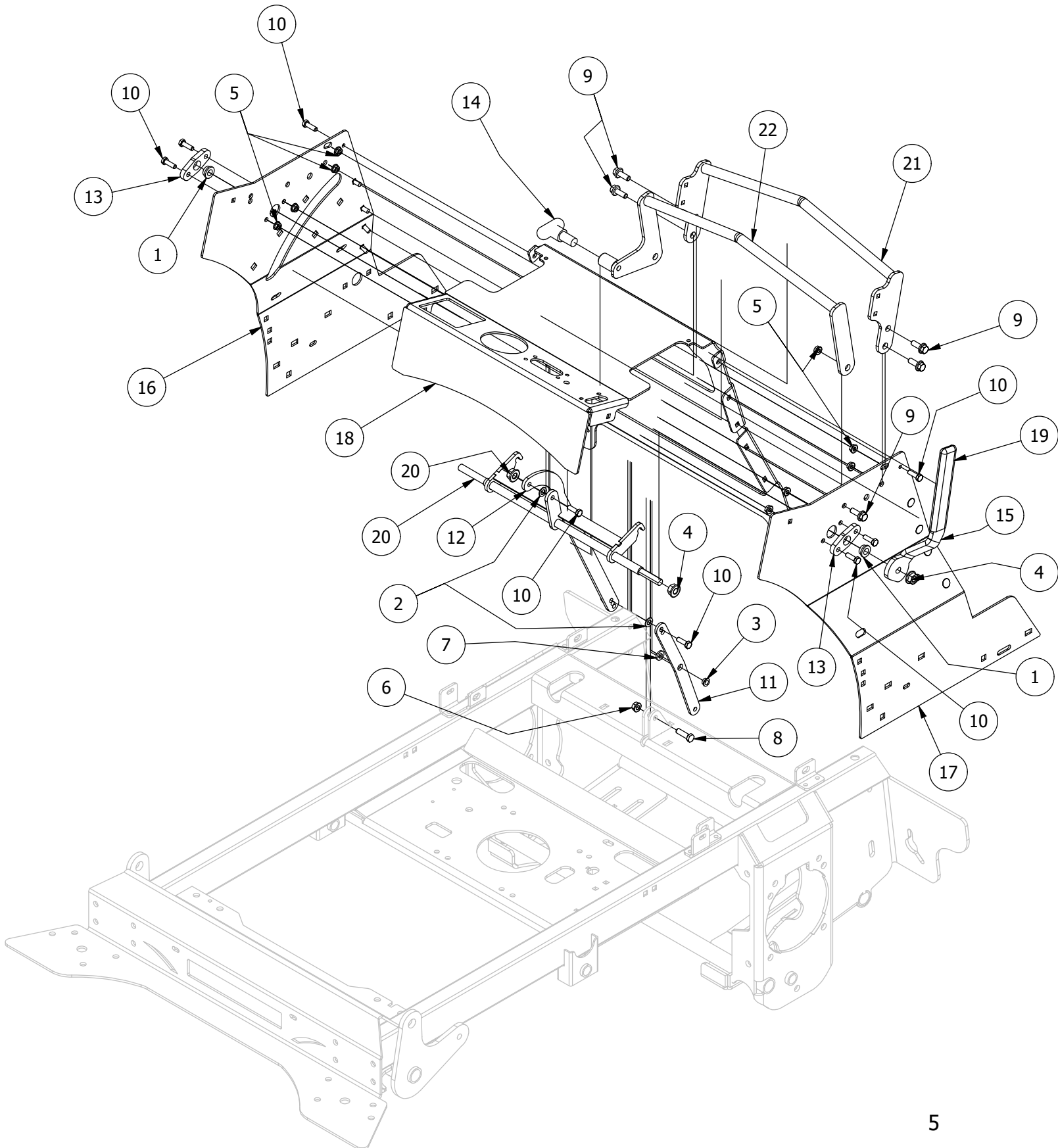
FRONT FORKS ASSEMBLY .....	3-4
THROTTLE AND BRAKE LEVER ASSEMBLY .....	5-6
DECK HEIGHT ADJUSTER ASSEMBLY.....	7-8
RIGHT DRIVE ARM ASSEMBLY .....	9-10
LEFT DRIVE ARM ASSEMBLY.....	11-12
KNEE REST ASSEMBLY .....	13-14
FOOT PLATE ASSEMBLY .....	15-16
BATTERY ASSEMBLY .....	17-18
CONTROL PANEL ASSEMBLY.....	19-20
RIGHT GAS TANK ASSEMBLY .....	21-22
LEFT TANK ASSEMBLY.....	23-24
IDLER PULLEY ASSEMBLY.....	25-26
MUFFLER GUARD AND BELT COVER ASSEMBLY .....	27-28
TRANSMISSION ASSEMBLY.....	29-30
37 HP VANGUARD ENGINE ASSEMBLY.....	31-32
KAWASAKI FX801V ENGINE ASSEMBLY .....	33-34
54" DECK SCALPING WHEELS AND STABILIZER ASSEMBLY .....	35-36
54" SPINDLES, BLADES, PULLEYS, AND COVERS.....	37-38
54" DECK IDLER ASSEMBLY.....	39-40
61" DECK SCALPING WHEELS AND STABILIZER ASSEMBLY.....	41-42
61" SPINDLES, BLADES, PULLEYS, AND COVERS.....	43-44
61" DECK IDLER ASSEMBLY.....	45-46
DECK CHUTE ASSEMBLY.....	47-48
DECALS .....	49

# Front Forks Assembly



PARTS LIST			
ITEM	QTY	PART NUMBER	DESCRIPTION
1	1	490-0436-02	Stand On Right Caster Support Assembly (61)
2	1	490-0437-02	Stand On Left Caster Support Assembly (61)
3	1	490-0439-02	Stand On Right Caster Support Assembly(54)
4	1	490-0442-02	Stand On Left Caster Support Weldment (54)
5	8	418-0266-00	7/16-14 X 1 1/4 HEX FLANGE BOLT (GR.8) ZC/YEL
6	8	418-0099-00	7/16-14 X 1 HEX FLANGE BOLT (GR.8) ZC/YEL
7	16	413-0011-00	7/16-14 HEX FLANGE NUT W/SERR ZINC YELLOW
8	4	410-0006-00	1" INSERT BEARING
9	2	426-0006-00	Mower Caster Shaft Washer
10	2	425-0011-00	Caster Fork Shaft Bearing Spacer
11	2	418-0003-00	1/2-13 X 8-1/2 HEX C/S GR 5 ZINC YELLOW
12	2	413-0002-00	1/2-13 NYLON INSERT FLANGE LOCKNUT ZC YELLOW
13	2	425-0010-00	Mower Caster Fork Wheel Spacer
14	4	410-0014-00	Mower Caster Wheel Bearing
15	2	423-0001-00	RT&SRT Caster Wheel Fork 2018
16	2	437-0019-00	RT&SRT Mower Caster Wheel Shaft 2018
17	2	413-0063-00	1"-8 FIN HEX JAM NUT ZC
18	2	419-0024-00	1" L/W MED SPLIT ZC
19	2	419-0025-00	Front Fork Caster Top Washer
20	2	422-0042-00	Spartan Radial Tire Wheel Assembly 2018
21	2	419-0003-00	1/2 FENDER WASHER 1-1/4" OD ZINC
22	2	418-0002-00	1/2-20 X 1-1/4 HEX FLANGE BOLT GR 8 ZC YELLOW

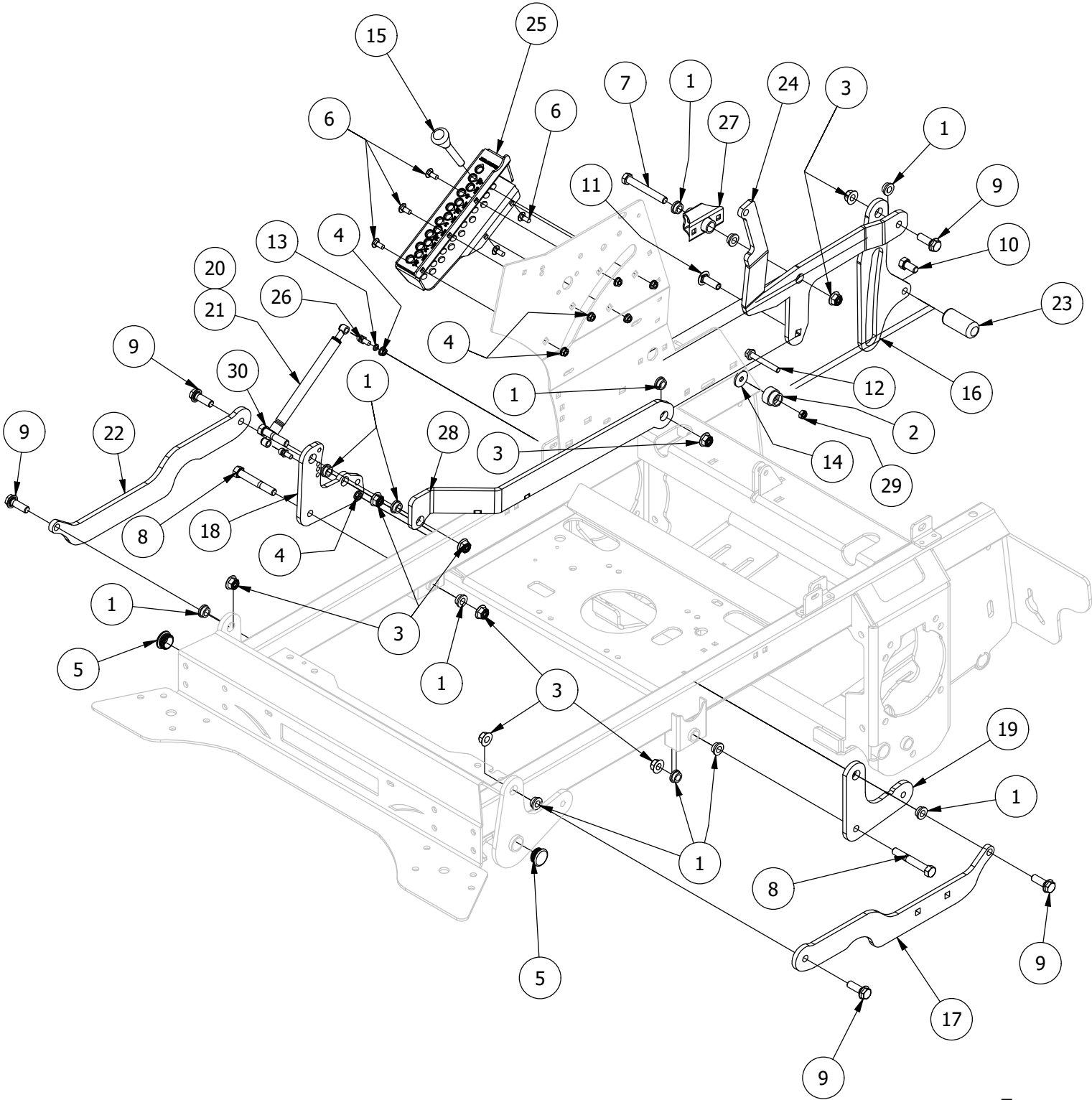
# Throttle and Brake Lever Assembly



Throttle and Brake Lever Assembly

ITEM	QTY	PART NUMBER	DESCRIPTION
1	2	410-0009-00	1/2" ID X 3/4" OD X 3/8" LENGTH FLANGE BUSHING
2	2	410-0011-00	3/8 X 3/4 Bronze Washer
3	1	410-0067-00	Bronze Bushing
4	4	413-0005-00	1/2-13 HEX FLANGE NUT W/SERR ZINC YELLOW
5	10	413-0022-00	5/16-18 HEX FLANGE NUT W/SERR ZINC YELLOW
6	1	413-0029-00	3/8-16 NYLON INSERT FLANGE L/NUT ZC YELLOW
7	1	413-0052-00	3/8 ID X 3/4 OD X .125 THK BRONZE WASHER
8	1	418-0005-00	3/8-16 x 1-1/4 Hex Bolt GR5
9	6	418-0040-00	3/8-16 X 1 HEX FLANGE BOLT GR 8 ZC YELLOW
10	8	418-0108-00	5/16 x1 Hex C/S (GR8) ZC/Yel
11	1	426-0464-00	Stand On Brake Lock Lever Lower Plate Short
12	1	426-0465-00	Stand On Brake Lock Lever Upper Plate Long
13	2	426-0474-00	Stand On Brake Lock Handle Split Collar Plate
14	1	429-0006-00	PLASTIC T-HANDLE, WELD-ON RECTRACTABLE PLUNGER
15	1	439-0669-00	Stand On Brake Lever Bracket
16	1	439-0673-00	Stand On Control Panel mount Right side
17	1	439-0674-00	Stand On Control Panel mount Left side
18	1	439-0675-00	Stand On Control Panel Bracket
19	1	484-0002-00	Stand Up Mower Brake Arm Grip
20	1	490-0432-02	Stand On Brake Handle Assembly
21	1	490-0438-02	Stand On Stationary Handlebar Assembly
22	1	490-0441-02	Stand On Adjustable Handlebar Assembly

# Deck Height Adjuster Assembly



## Deck Height Adjuster Assembly

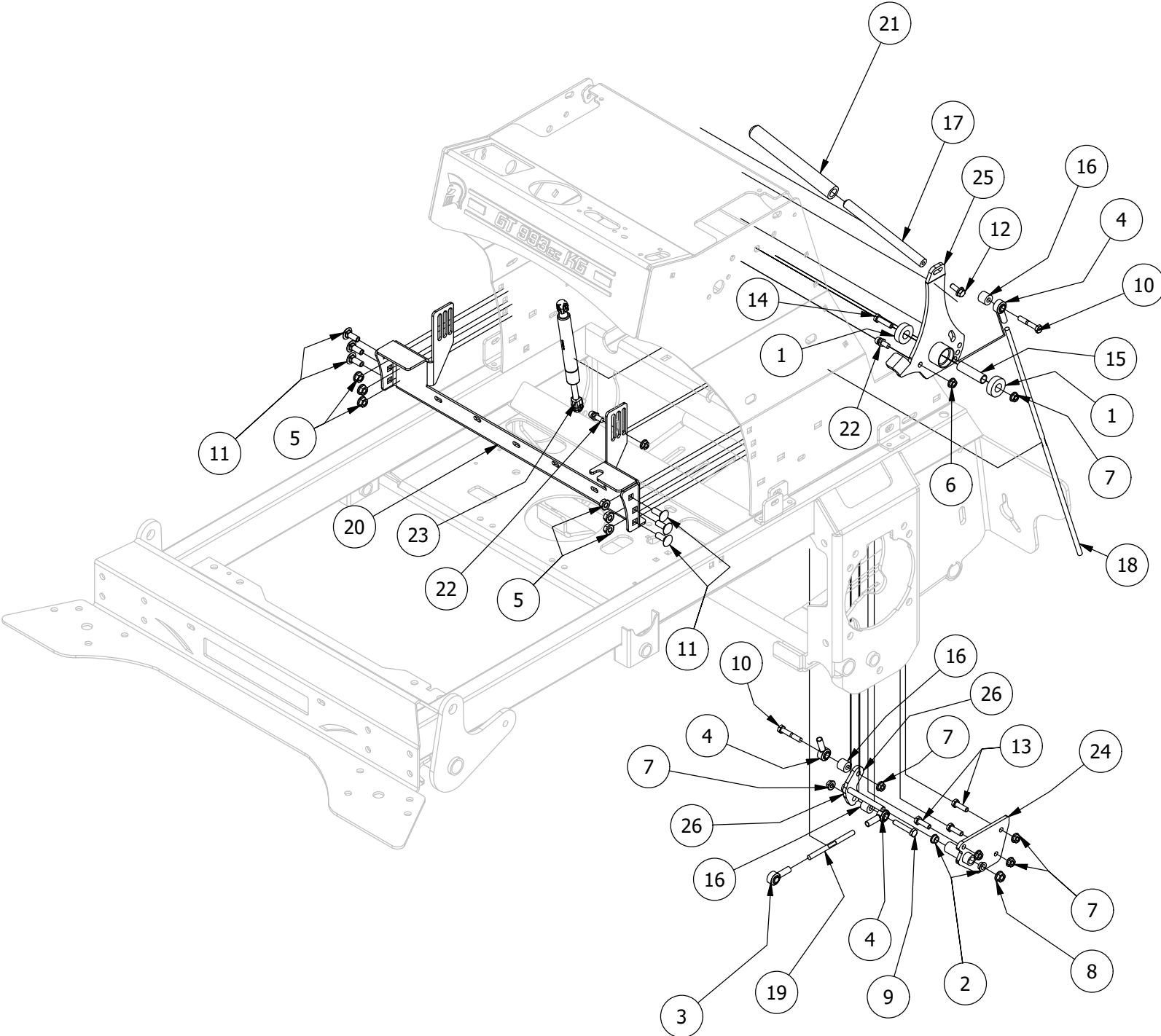
ITEM	QTY	PART NUMBER	DESCRIPTION
1	13	410-0009-00	1/2" ID X 3/4" OD X 3/8" LENGTH FLANGE BUSHING
2	1	410-0074-00	Stand On Deck Height Bushing
3	10	413-0002-00	1/2-13 NYLON INSERT FLANGE NUT ZINC YELLOW
4	7	413-0022-00	5/16-18 HEX FLANGE NUT W/SERR ZINC YELLOW
5	2	414-0015-00	1-1/4" Round Tube Plug
6	5	418-0008-00	5/16-18 X 3/4 CARRIAGE BOLT ZINC
7	1	418-0021-00	1/2-13 X 3-3/4 HEX C/S GR 5 ZINC
8	2	418-0042-00	1/2-13 X 3-1/2 HEX C/S GR 5 ZINC YELLOW
9	5	418-0047-00	1/2-13 X 1-1/2 HEX FLANGE BOLT GR 8 ZINC YELLOW
10	1	418-0247-00	1/2"-13x2-1/4 Gr8 Hex Cap Scr
11	1	418-0248-00	1/2-13 X 1-1/2 CARRIAGE BOLT (GR.5) ZC/YEL
12	1	418-0274-00	3/8-16 X 2-3/4 HEX FLANGE BOLT (GR.8) ZC/YEI
13	1	419-0009-00	5/16 SPLIT LOCKWASHER ZINC
14	1	419-0028-00	flat washer 1.25OD-.38ID- .125 thick Black Plastic
15	1	420-0009-00	Stand On Deck Height Adjuster Magnetic Pin
16	1	426-0466-00	Stand On Foot Peg Mount Plate
17	1	426-0468-00	Stand On Deck Height Link Arm
18	1	426-0479-00	Stand On Deck Height Bracket Left Actuator Side
19	1	431-0004-00	Deck Height Brkt Right side
20	1	434-0001-00	Deck Assist Gas Spring
21	1	434-0008-00	RZ Deck Assist Gas Spring
22	1	435-0009-00	Mower Deck Height Left Link Arm
23	1	435-0028-00	Stand On 1-1/4" Inch Foot Peg
24	1	439-0660-00	Stand On Deck Height Arm Pivot bracket
25	1	439-0676-00	Stand On Deck Height Pin Bracket
26	2	487-0005-00	Control Arm Damper Ball Stud
27	1	490-0428-02	Stand On Height Indicator Assembly
28	1	490-0435-02	Stand On Rear Deck Height Link Assembly
29	1	613-2004-00	3/8"-16 Nyloc Jam Nut
30	1	618-6066-00	1/2"-13x2-1/4 Gr8 Hex Cap Scr





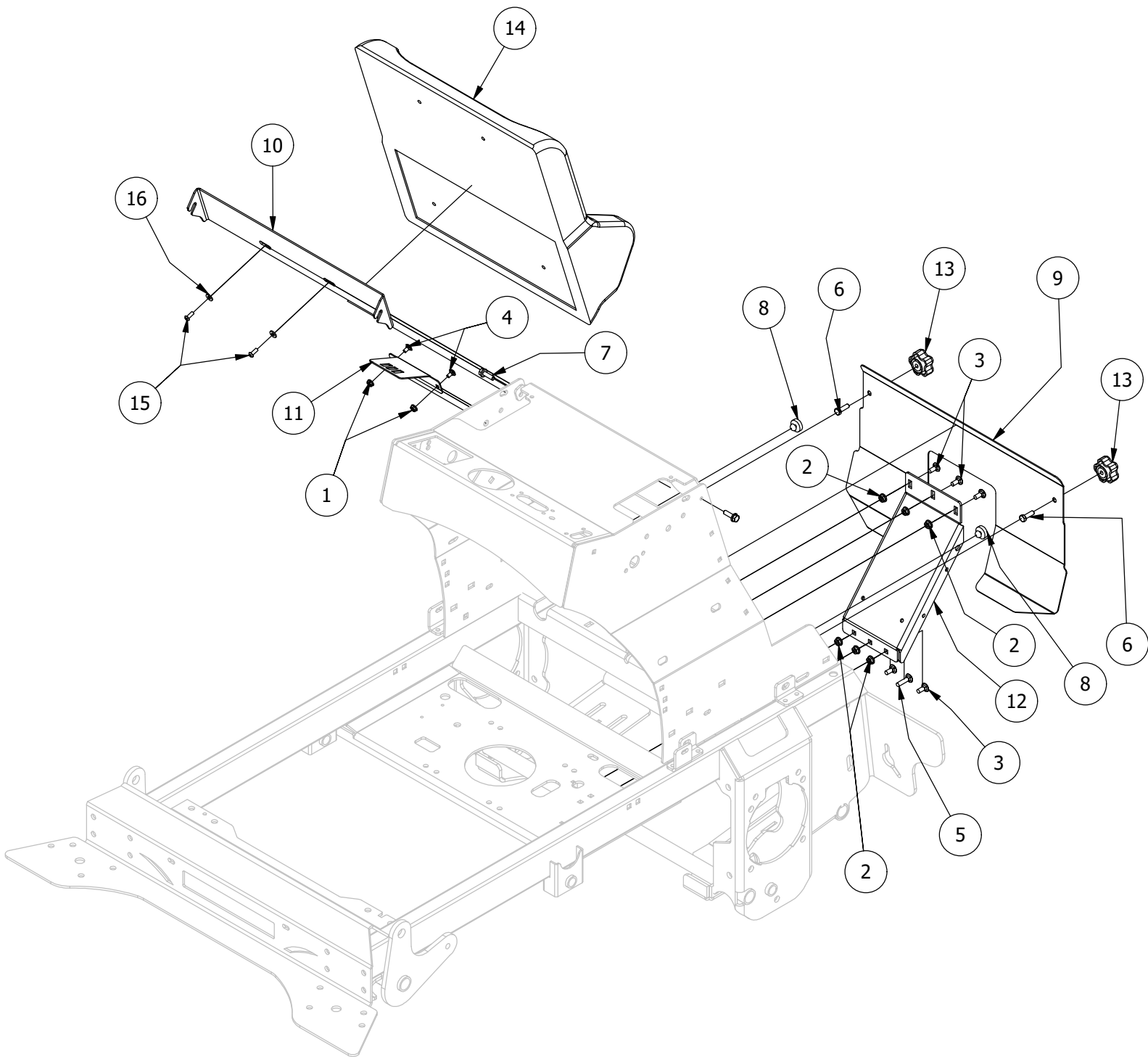
Right Drive Arm Assembly			
ITEM	QTY	PART NUMBER	DESCRIPTION
1	2	410-0005-00	5/8" ID X 1-3/8" OD X 7/16" THK BEARING
2	2	410-0067-00	Bronze Bushing
3	1	410-0070-00	5/16-24 SPHERICAL ROD END ZINC LEFT HAND THD FEMALE
4	3	410-0071-00	5/16-24 SPHERICAL ROD END ZINC RIGHT HAND THD FEMALE
5	6	413-0020-00	3/8-16 HEX FLANGE NUT W/SERR ZINC YELLOW
6	2	413-0022-00	5/16-18 HEX FLANGE NUT W/SERR ZINC YELLOW
7	7	413-0027-00	5/16-18 NYLON INSERT FLANGE LOCKNUT ZC YELLOW
8	1	413-0029-00	3/8-16 NYLON INSERT FLANGE L/NUT ZC YELLOW
9	1	418-0024-00	5/16-18 X 1-3/4 HEX C/S GR 5 ZINC
10	2	418-0027-00	5/16-18 X 1-3/4 HEX C/S GR 2 ZINC
11	6	418-0045-00	3/8-16 X 1 Carriage Bolt Zinc Yellow
12	1	418-0048-00	5/16-18 X 3/4 HEX FLANGE BOLT GR 8 ZC YELLOW
13	3	418-0108-00	5/16 x1 Hex C/S (GR8) ZC/Yel
14	1	418-0109-00	5/16- 18 x 1 1/4 Hex C/S (GR.8) ZC/Yel
15	1	425-0004-00	Mower Drive Arm Hub & Deck Lift Arm Spacer
16	3	425-0030-00	Stand On Drive arm pivot spacer
17	1	435-0027-00	Stand On Drive Handle Rod
18	1	435-0030-00	Stand On Upper Drive Rod (Long)
19	1	435-0031-00	Stand on Bottom Transmission Drive Arm Rod
20	1	439-0679-00	Stand On drive arm gas shock mount bracket
21	1	484-0003-00	Stand Up Mower Drive Arm Grip
22	2	487-0005-00	Control Arm Damper Ball Stud
23	1	487-0011-00	Stand-On Mower Control Handle Damper
24	1	490-0426-00	Stand On Right Lower Drive Arm Pivot Assembly
25	1	490-0429-02	Stand On Left Drive Arm Bracket Assembly
26	1	490-0455-02	Stand on Drive Arm Pivot Bolt Assembly Right Side

# Left Drive Arm Assembly



Left Drive Arm Assembly			
ITEM	QTY	PART NUMBER	DESCRIPTION
1	2	410-0005-00	5/8" ID X 1-3/8" OD X 7/16" THK BEARING
2	2	410-0067-00	Bronze Bushing
3	1	410-0070-00	5/16-24 SPHERICAL ROD END ZINC LEFT HAND THD FEMALE
4	3	410-0071-00	5/16-24 SPHERICAL ROD END ZINC RIGHT HAND THD FEMALE
5	6	413-0020-00	3/8-16 HEX FLANGE NUT W/SERR ZINC YELLOW
6	2	413-0022-00	5/16-18 HEX FLANGE NUT W/SERR ZINC YELLOW
7	7	413-0027-00	5/16-18 NYLON INSERT FLANGE LOCKNUT ZC YELLOW
8	1	413-0029-00	3/8-16 NYLON INSERT FLANGE L/NUT ZC YELLOW
9	1	418-0024-00	5/16-18 X 1-3/4 HEX C/S GR 5 ZINC
10	2	418-0027-00	5/16-18 X 1-3/4 HEX C/S GR 2 ZINC
11	6	418-0045-00	3/8-16 X 1 Carriage Bolt Zinc Yellow
12	1	418-0048-00	5/16-18 X 3/4 HEX FLANGE BOLT GR 8 ZC YELLOW
13	3	418-0108-00	5/16 x1 Hex C/S (GR8) ZC/Yel
14	1	418-0109-00	5/16- 18 x 1 1/4 Hex C/S (GR.8) ZC/Yel
15	1	425-0004-00	Mower Drive Arm Hub & Deck Lift Arm Spacer
16	3	425-0030-00	Stand On Drive arm pivot spacer
17	1	435-0027-00	Stand On Drive Handle Rod
18	1	435-0030-00	Stand On Upper Drive Rod (Long)
19	1	435-0031-00	Stand on Bottom Transmission Drive Arm Rod
20	1	439-0679-00	Stand On drive arm gas shock mount bracket
21	1	484-0003-00	Stand Up Mower Drive Arm Grip
22	2	487-0005-00	Control Arm Damper Ball Stud
23	1	487-0011-00	Stand-On Mower Control Handle Damper
24	1	490-0427-02	Stand On Left Lower Drive Arm Pivot Assembly
25	1	490-0430-02	Stand On Right Drive Arm Bracket Assembly
26	1	490-0454-02	Stand on Drive Arm pivot Bolt Assembly Left side

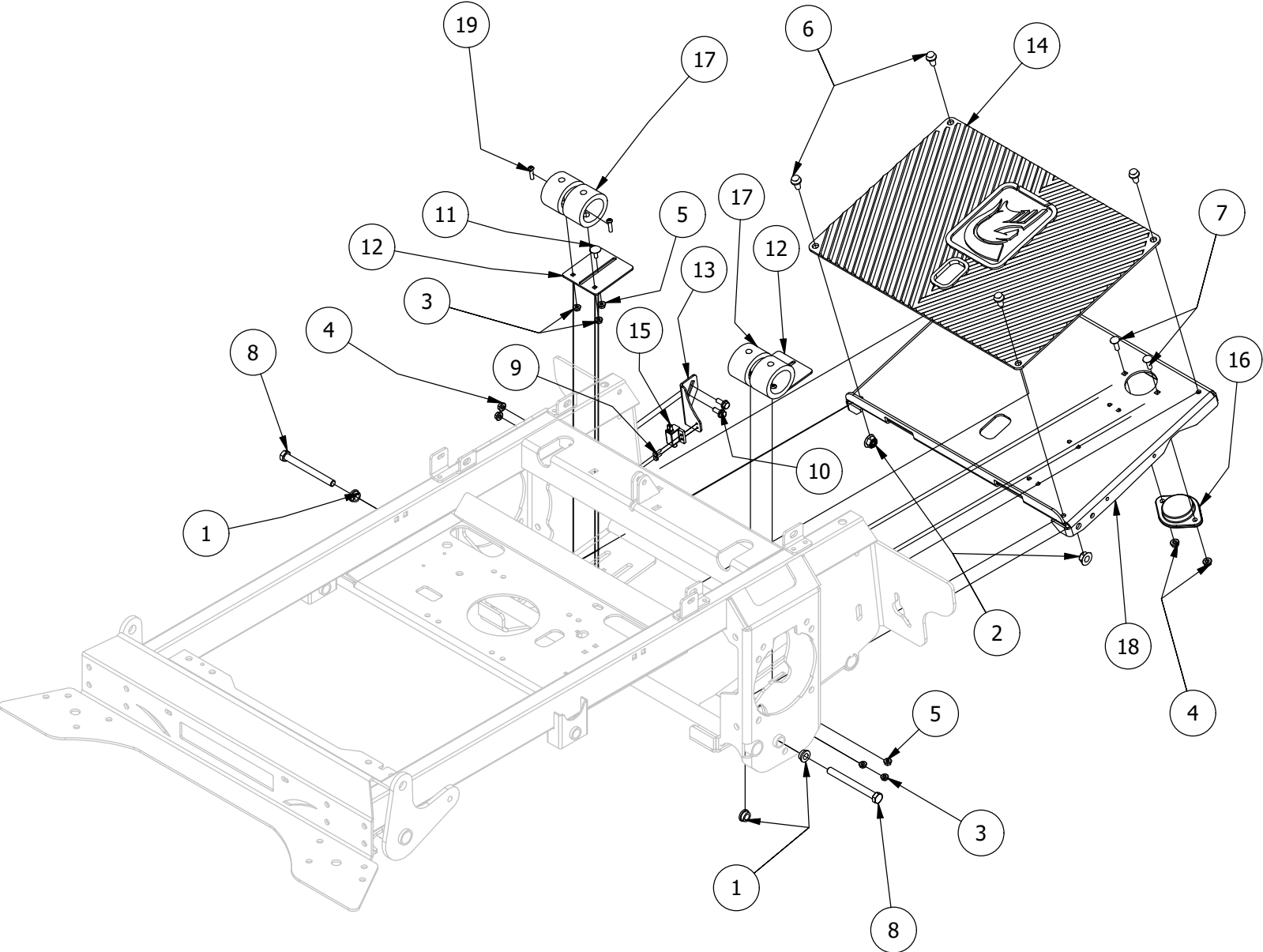
# Knee Rest Assembly



Knee Rest Assembly

ITEM	QTY	PART NUMBER	DESCRIPTION
1	2	413-0012-00	1/4-20 HEX FLANGE NUT W/SERRATIONS ZC YELLOW
2	6	413-0022-00	5/16-18 HEX FLANGE NUT W/SERR ZINC YELLOW
3	5	418-0008-00	5/16-18 X 3/4 CARRIAGE BOLT ZINC
4	2	418-0031-00	1/4-20 X 1/2 CARRIAGE BOLT ZC YELLOW
5	1	418-0062-00	5/16-18 X 1-1/4 CARRIAGE BOLT ZC/YEL
6	2	418-0108-00	5/16 x1 Hex C/S (GR8) ZC/Yel
7	2	418-0249-00	5/16-18 X 1 IND HWH UNSLOT (TRI-LOB) TRS ZC/YL
8	2	429-0002-00	Push-In Rubber Bumper, Mower Floor
9	1	439-0654-00	Stand On Foot Guard
10	1	439-0658-00	Stand On Knee Pad Upper Bracket
11	1	439-0662-00	Stand On Fuse Holder
12	1	439-0670-00	Stand On Seat Shock Mount Bracket
13	2	445-0005-00	5/16-18 5-LOBE (STAR) FEMALE SOFT TOUCH KNOB (1.90 DIA) BLK
14	1	471-1006-00	Spartan Stand-On Mower Lean Pad
15	2	618-8064-50	1/4-20 x 5/8 Button Socket C/S
16	2	619-0010-00	1/4 USS Flat Washer 18-8 SS

# Foot Plate Assembly

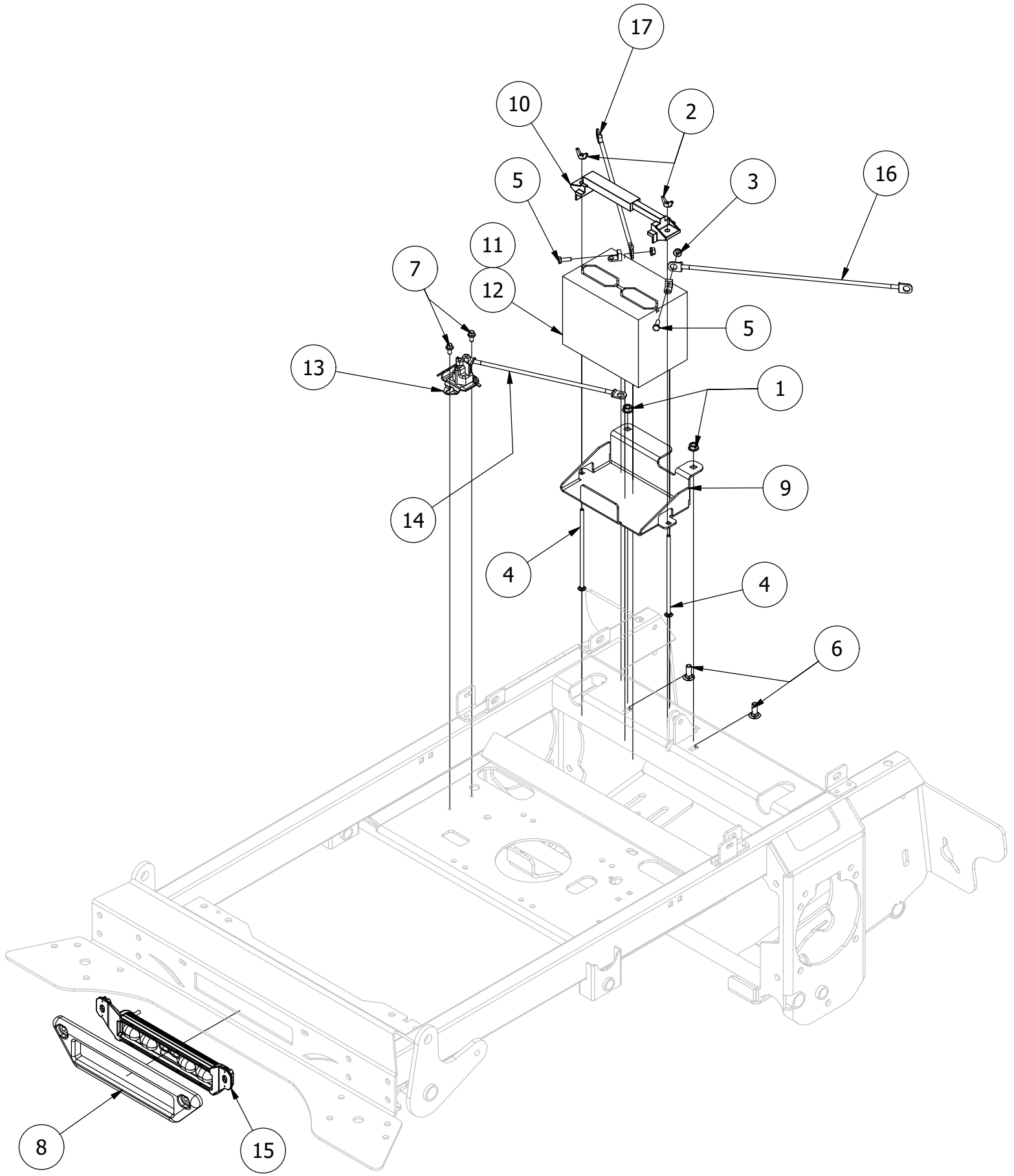


Foot Plate Assembly

ITEM	QTY	PART NUMBER	DESCRIPTION
1	4	410-0009-00	1/2" ID X 3/4" OD X 3/8" LENGTH FLANGE BUSHING
2	2	413-0002-00	1/2-13 NYLON INSERT FLANGE NUT ZINC YELLOW
3	4	413-0012-00	1/4-20 HEX FLANGE NUT W/SERRATIONS ZC YELLOW
4	4	413-0022-00	5/16-18 HEX FLANGE NUT W/SERR ZINC YELLOW
5	2	413-0026-00	1/4-20 NYLON INSERT FLANGE L/NUT ZINC
6	4	414-0002-00	8MM PUSH TYPE RETAINER NYLON BLACK
7	2	418-0010-00	5/16-18 X 1 CARRIAGE BOLT ZC/YEL
8	2	418-0016-00	1/2-13 X 5 HEX C/S GR 2 ZINC YELLOW
9	2	418-0032-00	8-32 X 1/2 IND. HWH SLOT TYPE F TCS ZINC
10	2	418-0048-00	5/16-18 X 3/4 HEX FLANGE BOLT GR 8 ZC YELLOW
11	2	418-0052-00	1/4-20 X 3/4 CARRIAGE BOLT ZINC
12	2	426-0477-00	Stand On Seat Suspension Elastomer plate
13	1	439-0672-00	Stand On Footplate Safety Switch Bracket
14	1	481-0006-00	2017 Mower Logo Floor Mat
15	1	486-0030-00	NO Plunger Limit Switch
16	1	486-0050-00	Stand-On Mower Foot Plate Plunger Switch
17	4	487-0012-00	Stand-On Platform Radial Bumper
18	1	490-0461-02	Stand On Footplate Assembly
19	4	618-2037-50	1/4-20 X1 Button Socket C/S Black

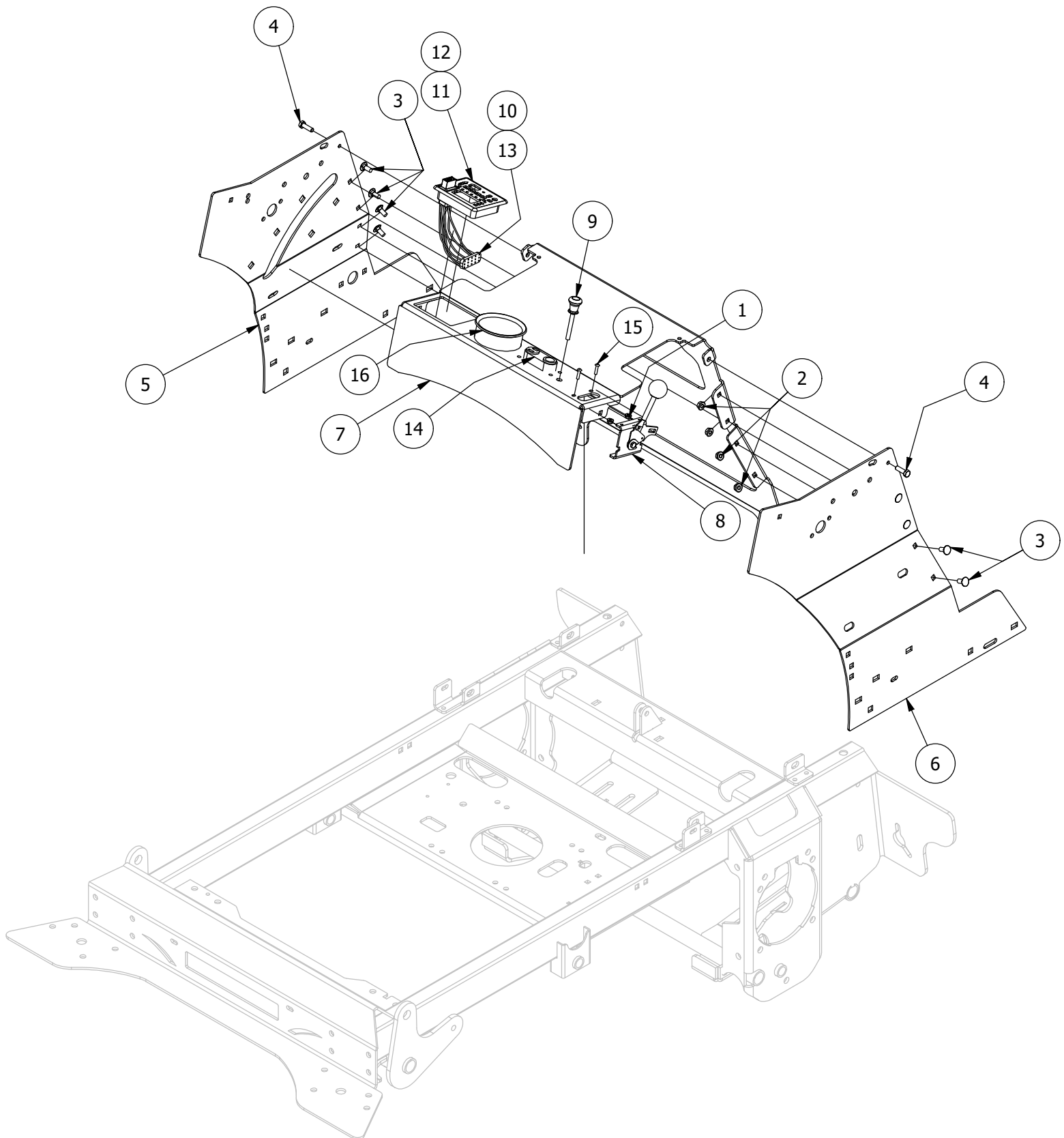


# Battery Assembly



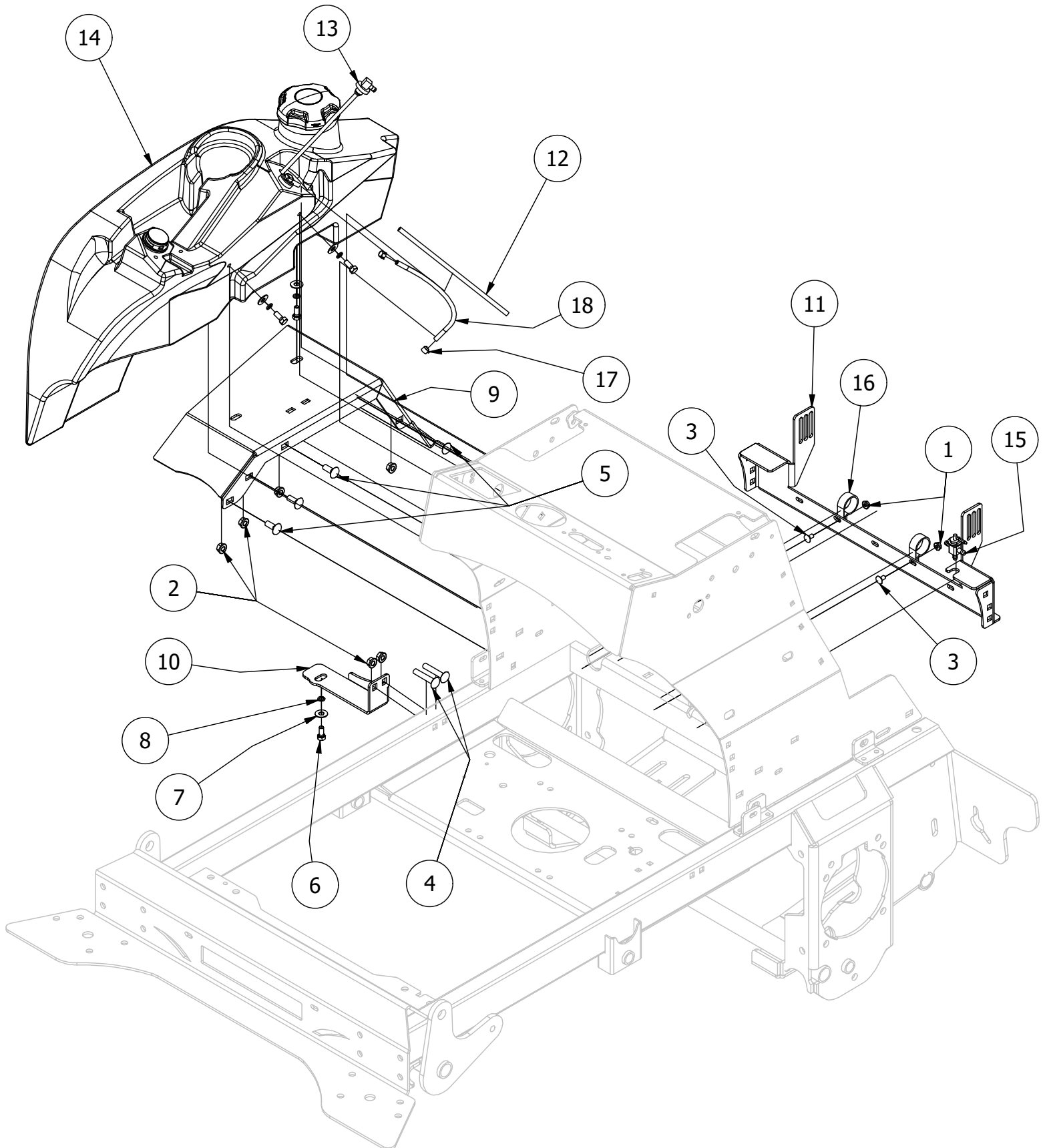
Battery Assembly			
ITEM	QTY	PART NUMBER	DESCRIPTION
1	2	413-0020-00	3/8-16 HEX FLANGE NUT W/SERR ZINC YELLOW
2	2	413-0025-00	1/4-20 WING NUT ZINC
3	2	413-0026-00	1/4-20 NYLON INSERT FLANGE L/NUT ZINC
4	2	418-0034-00	1/4-20 X 7 CARRIAGE BOLT ZINC
5	2	418-0035-00	1/4-20 X 3/4 HEX C/S GR 2 ZINC
6	2	418-0045-00	3/8-16 X 1 Carriage Bolt Zinc Yellow
7	2	418-0059-00	1/4-20 X 1/2 IND. HWH SLOT F TCS ZINC
8	1	429-0003-00	Mower Front Nylon Bumper
9	1	439-0657-00	Stand On Mower Battery Box
10	1	443-0001-00	Battery Hold Down
11	1	468-0001-00	Mower Diesel Start Battery 350CCA
12	1	468-1004-00	12-V Mower Starter Battery
13	1	486-0006-00	Mower Starter Solenoid
14	1	486-0018-00	Mower Start Wire, 12
15	1	486-0042-00	Full Beam With Lighted Helmet Light Bar
16	1	486-0048-00	Stand-On Positive Battery Cable; 16"
17	1	486-0049-00	Stand-On Negative Battery Cable; 14"

# Control Panel Assembly



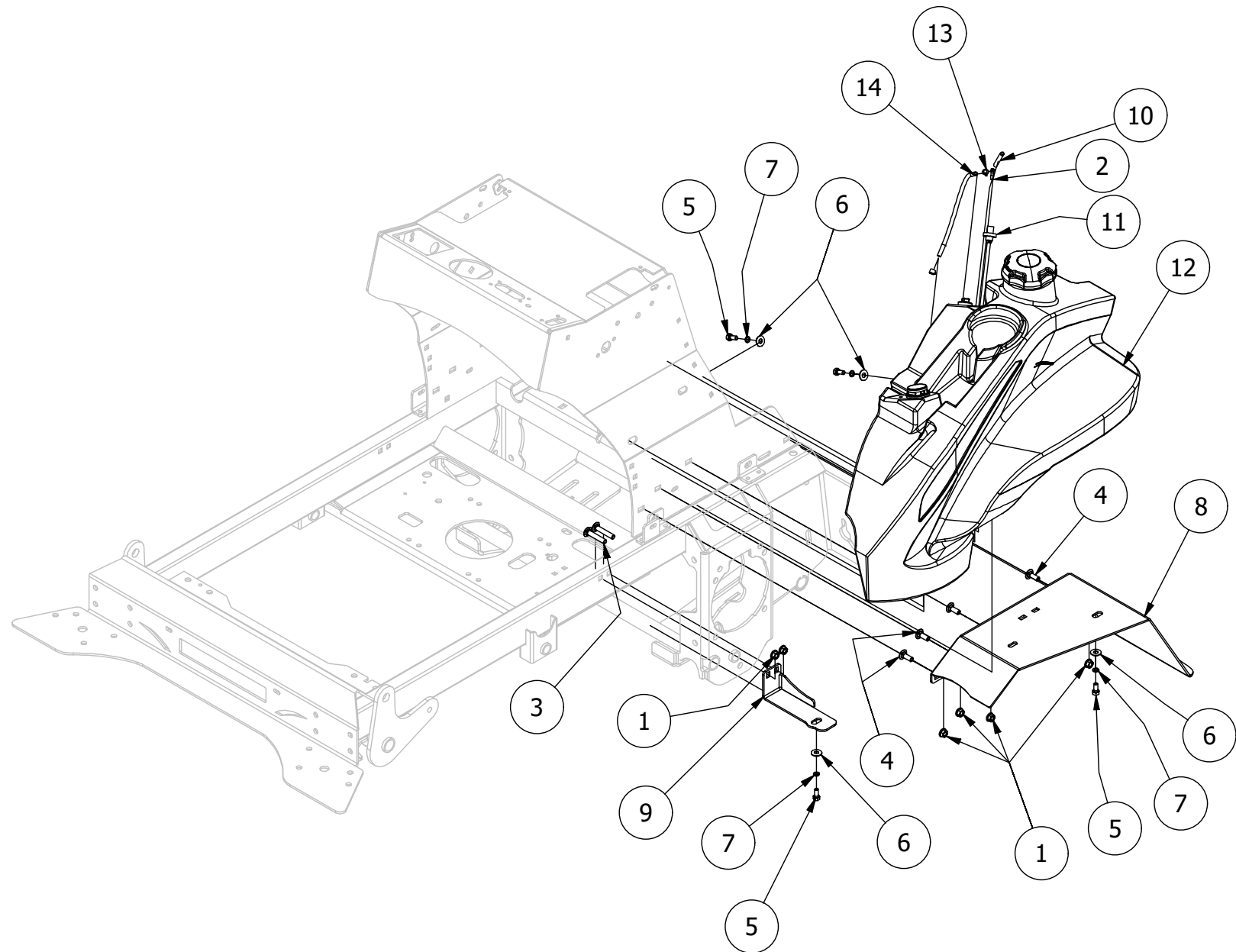
Control Panel Assembly			
ITEM	QTY	PART NUMBER	DESCRIPTION
1	2	413-0008-00	10-24 NYLON INSERT LOCKNUT 18-8 SS
2	8	413-0022-00	5/16-18 HEX FLANGE NUT W/SERR ZINC YELLOW
3	8	418-0008-00	5/16-18 X 3/4 CARRIAGE BOLT ZINC
4	2	418-0108-00	5/16 x1 Hex C/S (GR8) ZC/Yel
5	1	439-0673-00	Stand On Control Panel mount Right side
6	1	439-0674-00	Stand On Control Panel mount Left side
7	1	439-0675-00	Stand On Control Panel Bracket
8	1	464-0001-00	Mower Throttle Cable Assembly w / Handle
9	1	464-0002-00	Choke Cable
10	1	486-0020-00	Stand-On Mower Vanguard EFI Harness
11	1	486-0046-00	Stand-On Control Console-Carbureted
12	1	486-0047-00	Stand-On Control Console-EFI
13	1	486-0051-00	Stand-On Mower FX801/ FT730 Harness
14	1	586-0019-00	eNVy/ Stand On Mower Dual Power Port
15	2	618-8057-50	10-24 x 3/4 Button Socket
16	1	780-2220-00	Cup Holder

# Right Gas Tank Assembly



Right Gas Tank Assembly			
ITEM	QTY	PART NUMBER	DESCRIPTION
1	2	413-0012-00	1/4-20 HEX FLANGE NUT W/SERRATIONS ZC YELLOW
2	6	413-0020-00	3/8-16 HEX FLANGE NUT W/SERR ZINC YELLOW
3	2	418-0031-00	1/4-20 X 1/2 CARRIAGE BOLT ZC YELLOW
4	2	418-0033-00	3/8-16 X 2 CARRIAGE BOLT ZINC
5	4	418-0045-00	3/8-16 X 1 Carriage Bolt Zinc Yellow
6	4	418-0054-00	5/16-18 X 3/4 HEX C/S ZINC
7	4	419-0007-00	5/16 Flat Washer
8	4	419-0009-00	5/16 SPLIT LOCKWASHER ZINC
9	1	439-0653-00	Stand On Fender Right Side
10	1	439-0678-00	Stand On Fuel Tank Bracket Right Side
11	1	439-0679-00	Stand On drive arm gas shock mount bracket
12	1	451-0002-00	Mower Fuel Tank Black 3/16" Vent Tube
13	1	467-0005-00	Fuel Pickup Tube Grommet, Nitrite, Dapco 10672
14	1	467-0026-00	Stand On Right Side Gas Tank Assembly
15	1	467-0030-00	Stand-On Fuel Selector/Shut Off Valve(Dapco 13667)
16	2	472-0001-00	1-1/4" CHUSHIONED LOOP CLAMP BLACK
17	2	472-0004-00	1/2" (#8) Hose Clamp
18	1	751-1014-00	1/4 Fuel Line - Low Perm

# Left Gas Tank Assembly

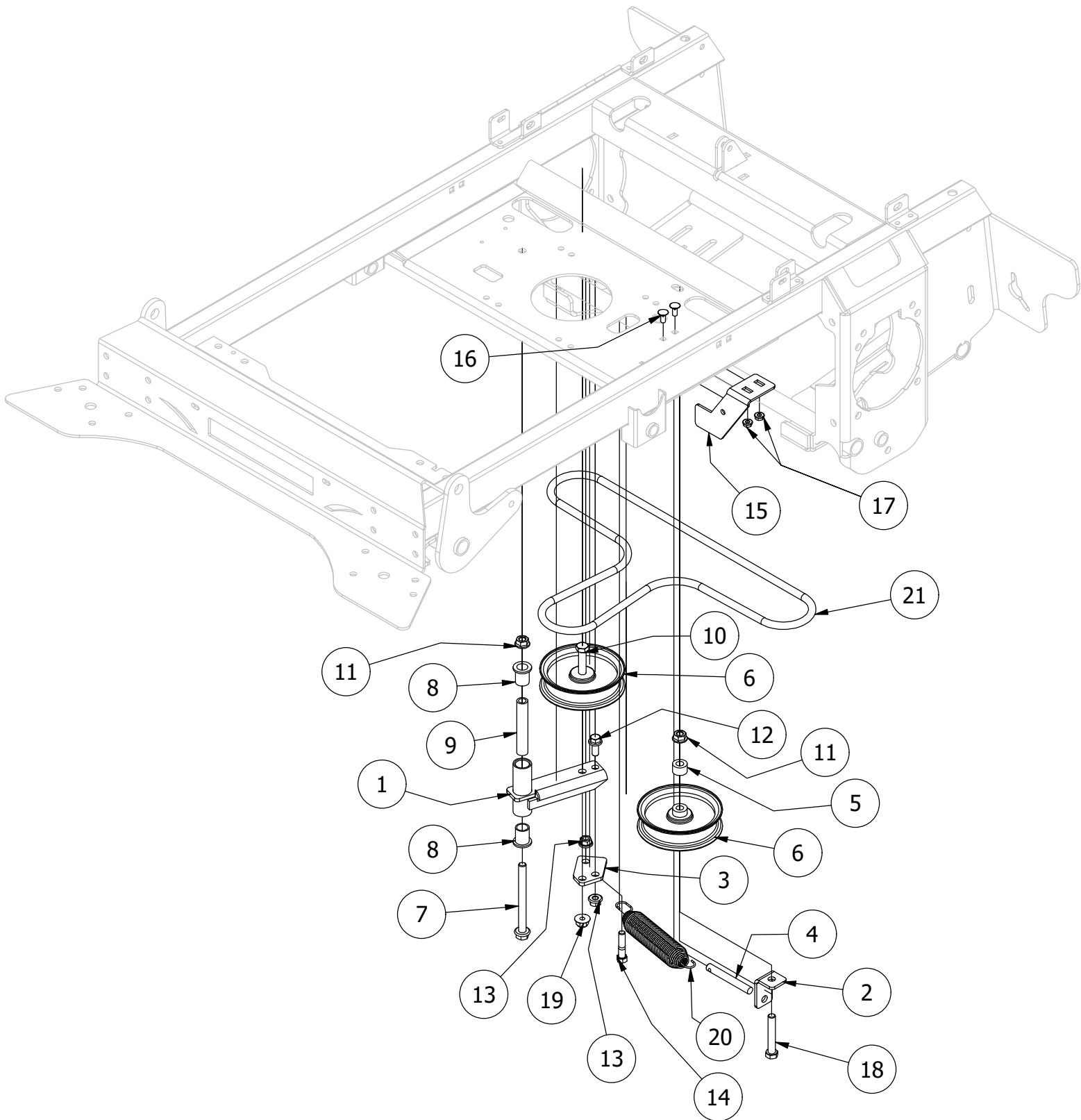


Left Gas Tank Assembly

ITEM	QTY	PART NUMBER	DESCRIPTION
1	6	413-0020-00	3/8-16 HEX FLANGE NUT W/SERR ZINC YELLOW
2	1	414-0036-00	Stand-On Fuel Line T-Connector (3/16" x 3")
3	2	418-0033-00	3/8-16 X 2 CARRIAGE BOLT ZINC
4	4	418-0045-00	3/8-16 X 1 Carriage Bolt Zinc Yellow
5	4	418-0054-00	5/16-18 X 3/4 HEX C/S ZINC
6	4	419-0007-00	5/16 Flat Washer
7	4	419-0009-00	5/16 SPLIT LOCKWASHER ZINC
8	1	439-0652-00	Stand On Fender Left Side
9	1	439-0677-00	Stand On Fuel Tank Bracket Left Side
10	1	451-0002-00	Mower Fuel Tank Black 3/16" Vent Tube
11	1	467-0005-00	Fuel Pickup Tube Grommet, Nitrite, Dapco 10672
12	1	467-0027-00	Stand On Left Side Gas Tank Assembly
13	2	472-0004-00	1/2" (#8) Hose Clamp
14	1	751-1014-00	1/4 Fuel Line - Low Perm

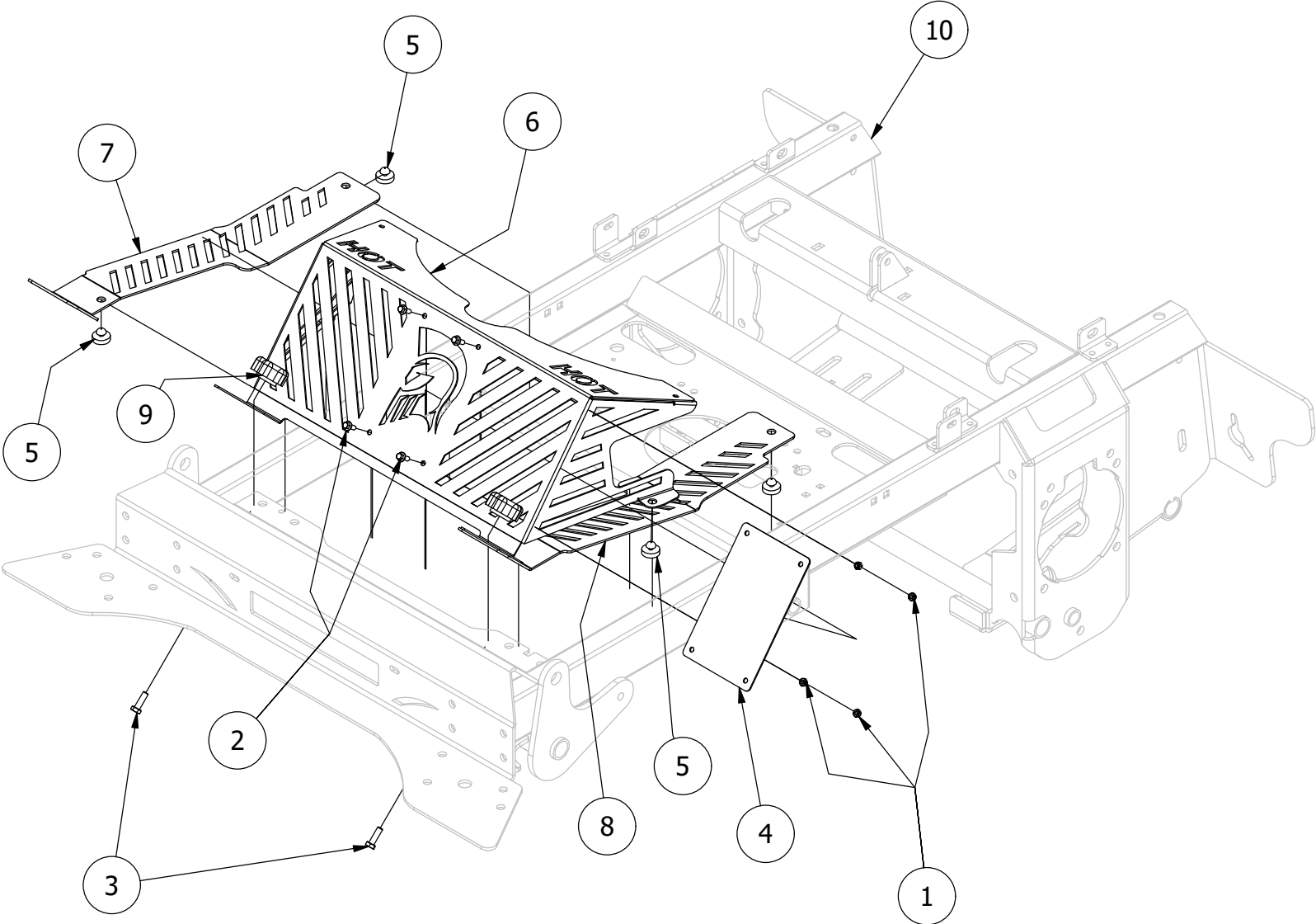


# Idler Pully Assembly



Idler Pully Assembly			
ITEM	QTY	PART NUMBER	DESCRIPTION
1	1	490-0018-00	Mower Pump Idler Assembly
2	1	439-0655-00	Stand On Idler Pulley Tension Spring Mounting Bracket
3	1	426-0475-00	Stand On Pump Idler Extension Bracket
4	1	430-0001-00	Mower Pump Spring Tensioner
5	1	425-0027-00	.530 ID/ 1" OD X .625 Mower Pump Idler Spacer
6	2	433-0013-00	5-3/4" Idler Pulley, 7/16" Spacer Assembly
7	1	418-0009-00	1/2-13 X 5-1/2 HEX FLANGE BOLT GR 8 ZY
8	2	410-0007-00	3/4" ID X 15/16" OD X 1-1/8" LENGTH FLANGE BUSHING
9	1	425-0006-00	Mower Inner Idler Spacer
10	1	418-0012-00	1/2-13 X 2-1/4 HEX C/S GR 5 ZINC
11	2	413-0005-00	1/2-13 HEX FLANGE NUT W/SERR ZINC YELLOW
12	1	418-0099-00	7/16-14 X 1 HEX FLANGE BOLT (GR.8) ZC/YEL
13	2	413-0011-00	7/16-14 HEX FLANGE NUT W/SERR ZINC YELLOW
14	1	418-0046-00	7/16-14 X 2 HEX C/S GR 5 ZINC YELLOW
15	1	439-0656-00	Stand On Mower Clutch Bracket
16	2	418-0063-00	5/16-18 X 3/4 CARRIAGE BOLT ZINC YELLOW
17	2	413-0022-00	5/16-18 HEX FLANGE NUT W/SERR ZINC YELLOW
18	1	418-0084-00	1/2-13 x 3 Hex CS GR 5 Yellow Zince
19	1	413-0002-00	1/2-13 NYLON INSERT FLANGE NUT ZINC YELLOW
20	1	434-0007-00	2019 Mower Deck Spring
21	1	461-0019-00	Stand On Mower Pump Belt

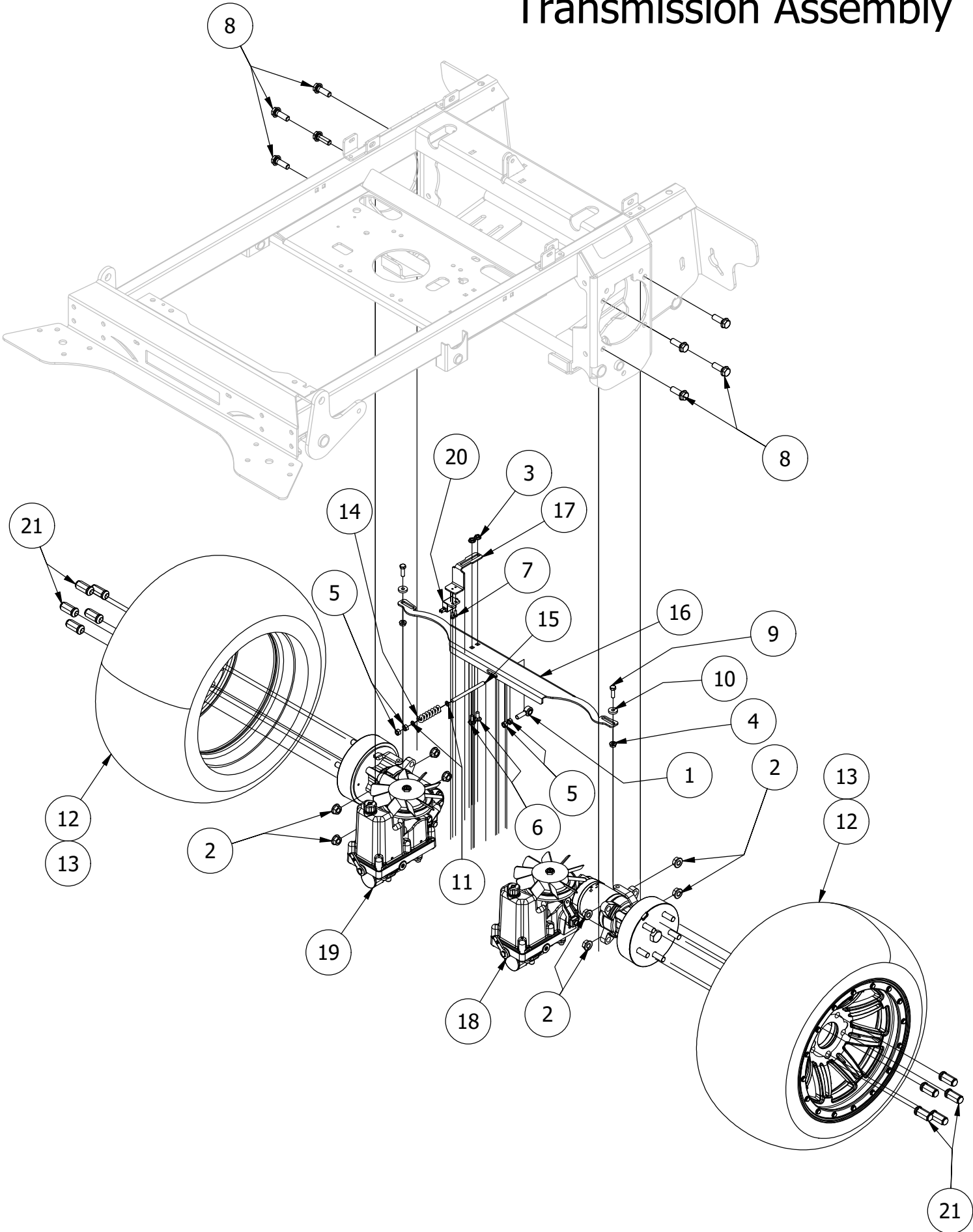
# Muffler Guard and Belt Cover Assembly



Muffler Guard and Belt Cover Assembly

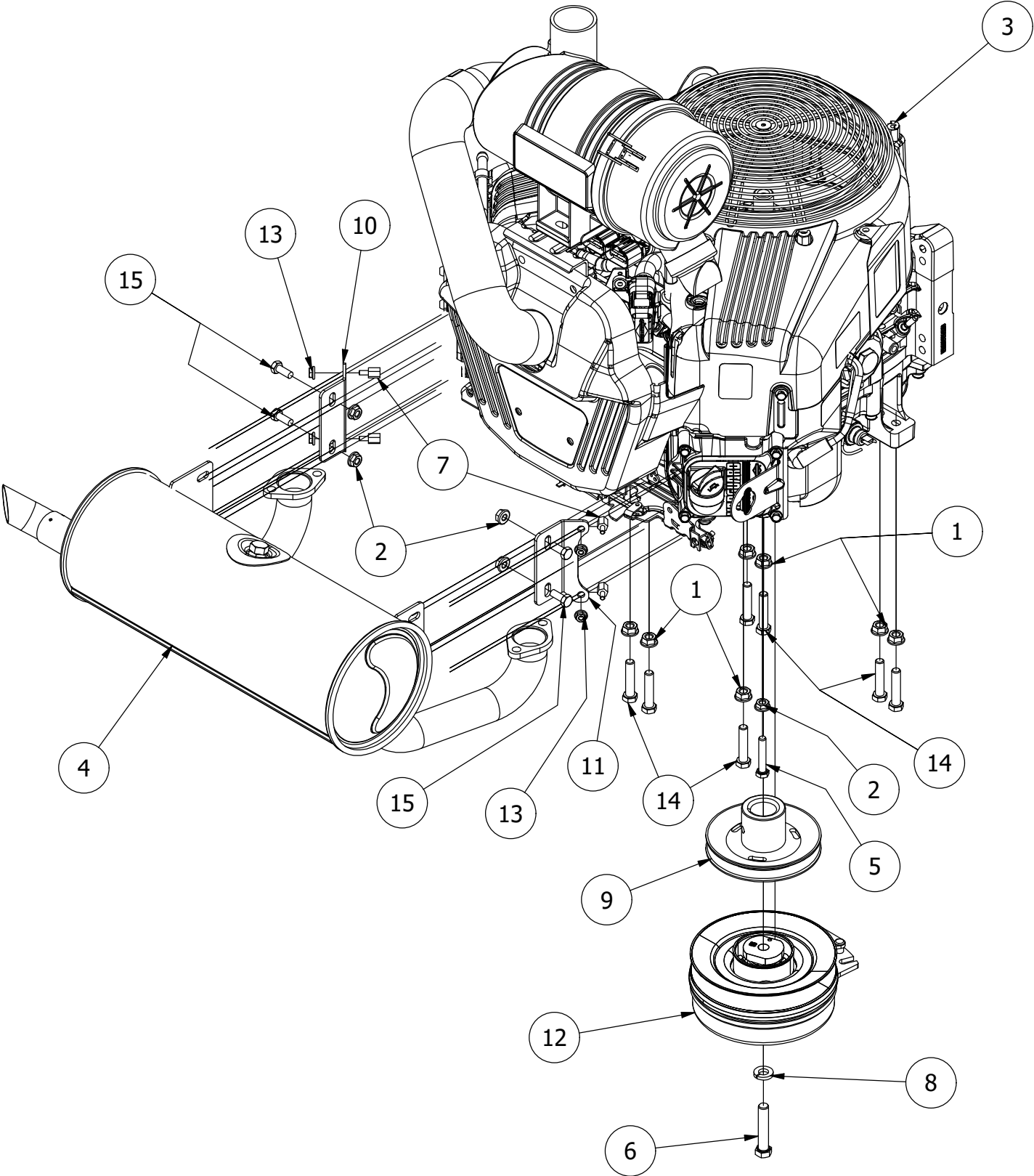
ITEM	QTY	PART NUMBER	DESCRIPTION
1	4	413-0070-00	M6-1.0 DIN 985 NYL INS (CL. 10) L/N ZC/Y
2	4	418-0076-00	M6-1.0 X 16MM HEX FLANGE BOLT ZINC YELLOW
3	2	418-0108-00	5/16 x1 Hex C/S (GR8) ZC/Yel
4	1	426-0467-00	Stand On Muffler Heat Shield Backer Plate (Orange)
5	6	429-0002-00	Push-In Rubber Bumper, Mower Floor
6	1	439-0664-00	Stand On Muffler Heatshield
7	1	439-0682-00	Stand On Belt Cover Right Side
8	1	439-0683-00	Stand On Belt Cover Left Side
9	2	445-0005-00	5/16-18 5-LOBE (STAR) FEMALE SOFT TOUCH KNOB (1.90 DIA) BLK
10	1	490-0425-02	Stand On Frame Assembly

# Transmission Assembly



Transmission Assembly			
ITEM	QTY	PART NUMBER	DESCRIPTION
1	1	410-0071-00	5/16-24 SPHERICAL ROD END ZINC RIGHT HAND THD FEMALE
2	8	413-0005-00	1/2-13 HEX FLANGE NUT W/SERR ZINC YELLOW
3	2	413-0006-00	5/16-18 HEX FLANGE NUT W/SERR ZINC
4	2	413-0027-00	5/16-18 NYLON INSERT FLANGE LOCKNUT ZC YELLOW
5	4	413-0035-00	5/16-24 HEX NUT ZINC
6	2	418-0008-00	5/16-18 X 3/4 CARRIAGE BOLT ZINC
7	2	418-0032-00	8-32 X 1/2 IND. HWH SLOT TYPE F TCS ZINC
8	8	418-0047-00	1/2-13 X 1-1/2 HEX FLANGE BOLT GR 8 ZINC YELLOW
9	2	418-0108-00	5/16 x1 Hex C/S (GR8) ZC/Yel
10	2	419-0006-00	.312 ID X .875 OD X .1875 THK F/W NYLON BLK
11	2	419-0007-00	5/16 Flat Washer
12	2	422-0005-00	2019 Mower XD Wheel and 24x14-R12 Tire
13	2	422-0010-00	Alum Wheel Upgrade for 54" Deck (416 Wheel w/ 24x10.50-R12)
14	1	434-0016-00	Stand-On Brake Release Spring
15	1	435-0029-00	Stand On Brake Rod Short
16	1	439-0499-00	Stand on Mower Park Brake Bracket HTJ12
17	1	439-0661-00	Stand On Brake Interlock Bracket
18	1	450-0005-00	HTJ12 Parker Left Side Hydrostatic Transmission
19	1	450-0006-00	HTJ12 Parker Right Side Hydrostatic Transmission
20	1	486-0030-00	NO Plunger Limit Switch
21	10	613-0001-00	1/2 Lug Nut-44011- Front

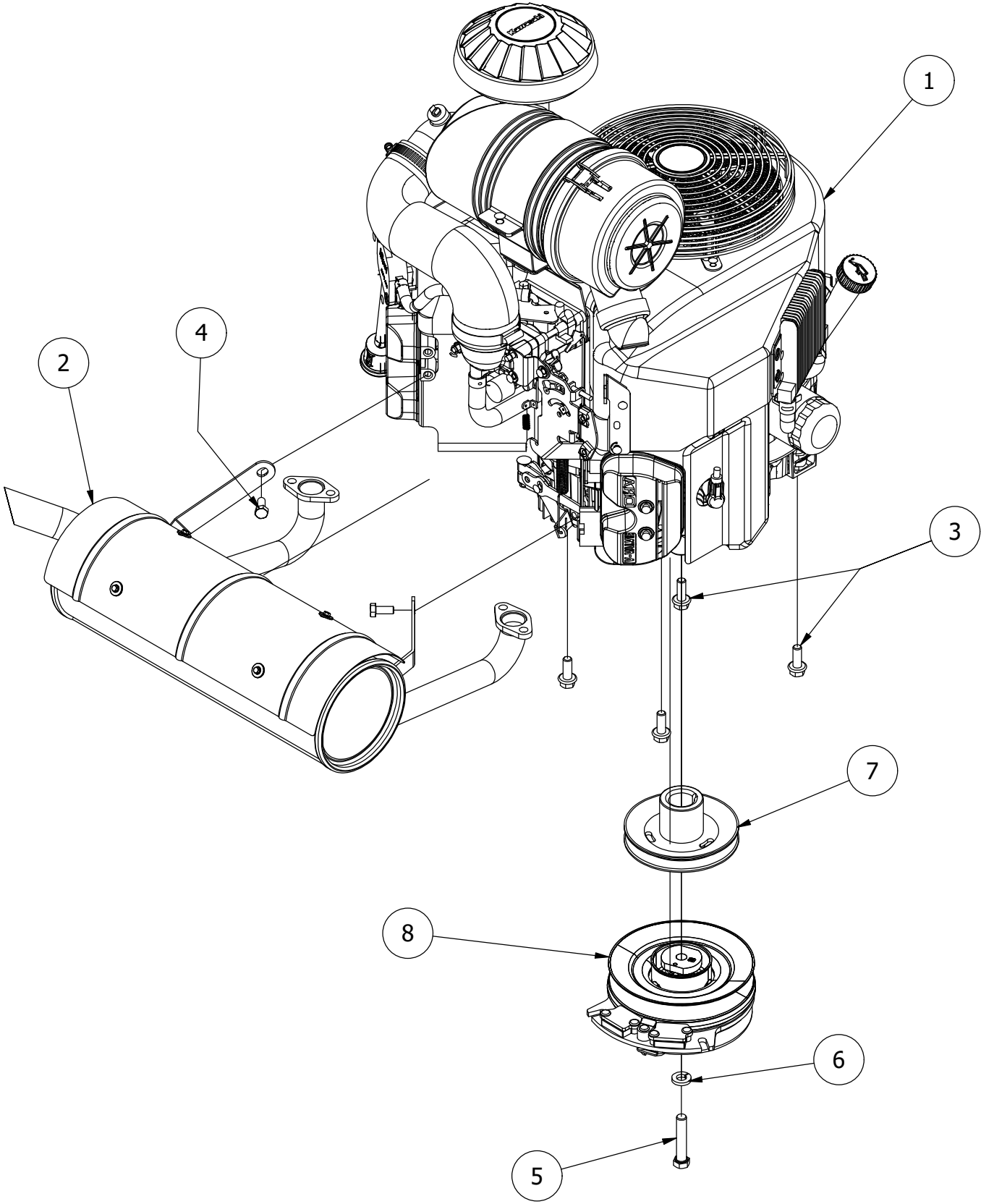
# 37 HP Vanguard Engine Assembly



37 HP Vanguard Engine Assembly			
ITEM	QTY	PART NUMBER	DESCRIPTION
1	7	413-0020-00	3/8-16 HEX FLANGE NUT W/SERR ZINC YELLOW
2	5	413-0022-00	5/16-18 HEX FLANGE NUT W/SERR ZINC YELLOW
3	1	415-0012-00	37 HP Vanguard Engine for SRT
4	1	415-0090-00	Exhaust system for VG 37 Stand-on
5	1	418-0024-00	5/16-18 X 1-3/4 HEX C/S GR 5 ZINC
6	1	418-0223-00	TTQ Clutch Bolt
7	4	418-0245-00	Stand-On Stud for 37HP Muffler Mount
8	1	419-0005-00	7/16 SPLIT LOCKWASHER GR 8 ZC YELLOW
9	1	433-0001-60	Stand On Drive Pulley, A Belt
10	1	439-0667-00	Stand On Muffler Engine Mount Van 37 Left Side
11	1	439-0668-00	Stand On Muffler Engine Mount Van 37 Right Side
12	1	470-0010-00	Stand-On Mower Warner Clutch
13	4	613-0062-00	M6-1.0 Hex Flange Nut w/Serrations, Zinc Plated
14	7	618-2008-00	3/8"-16X1-3/4" Gr 8 C/S
15	4	618-8063-00	5/16-18 x 3/4 GR 5 Hex bolt Zinc

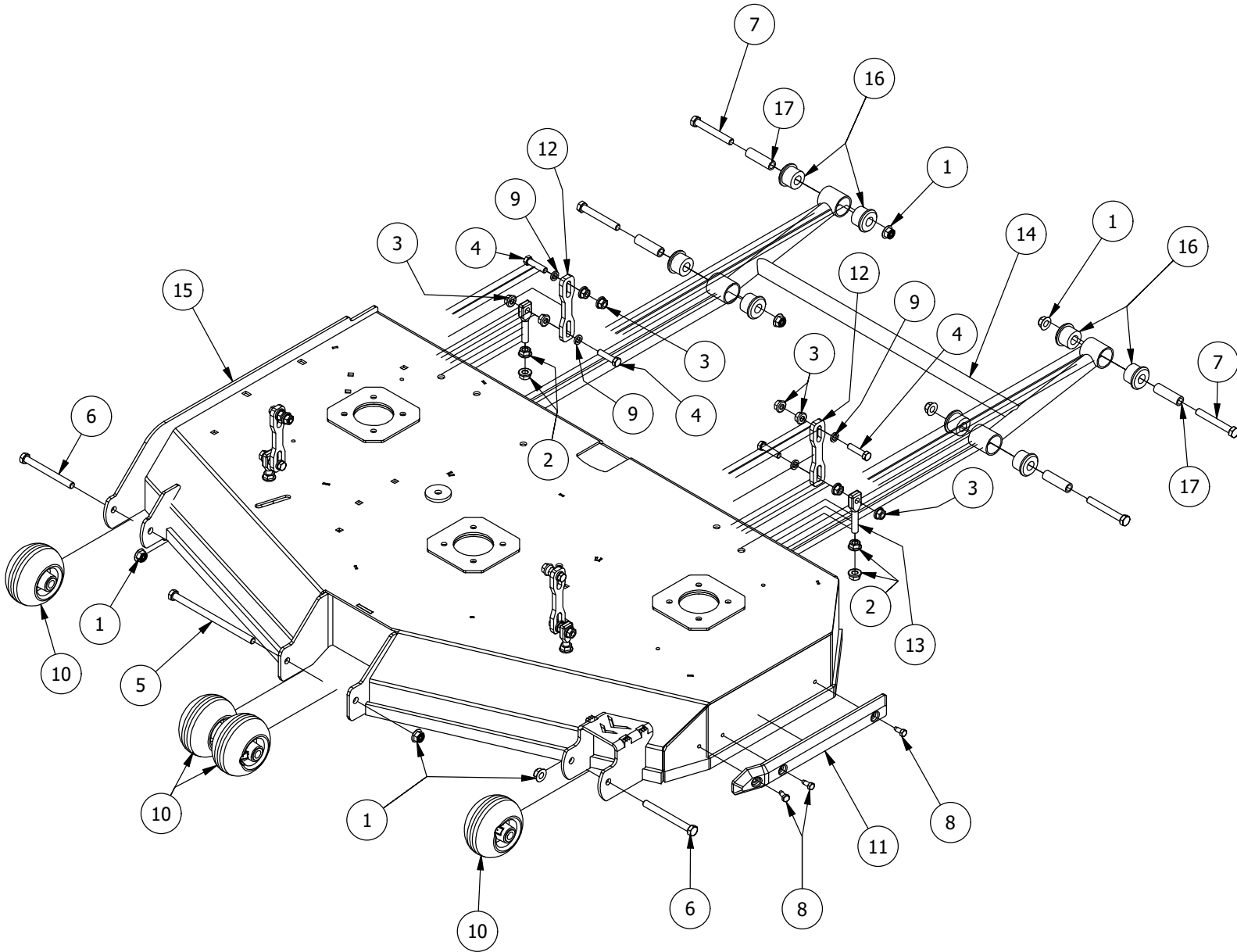


# Kawasaki FX801V Engine Assembly



Kawasaki FX801V Engine Assembly			
ITEM	QTY	PART NUMBER	DESCRIPTION
1	1	415-0089-00	Kawasaki FX801V Engine
2	1	415-0091-00	Exhaust for Kaw850/801 Stand-on
3	4	418-0023-00	3/8-16 X 1-1/8 IND HWH W/SERR TRI LOB ZY
4	2	418-0065-00	M8-1.25X20MM HEX FLANGE BOLT BLACK
5	1	418-0223-00	TTQ Clutch Bolt
6	1	419-0005-00	7/16 SPLIT LOCKWASHER GR 8 ZC YELLOW
7	1	433-0001-60	Stand On Drive Pulley, A Belt
8	1	470-0010-00	Stand-On Mower Warner Clutch

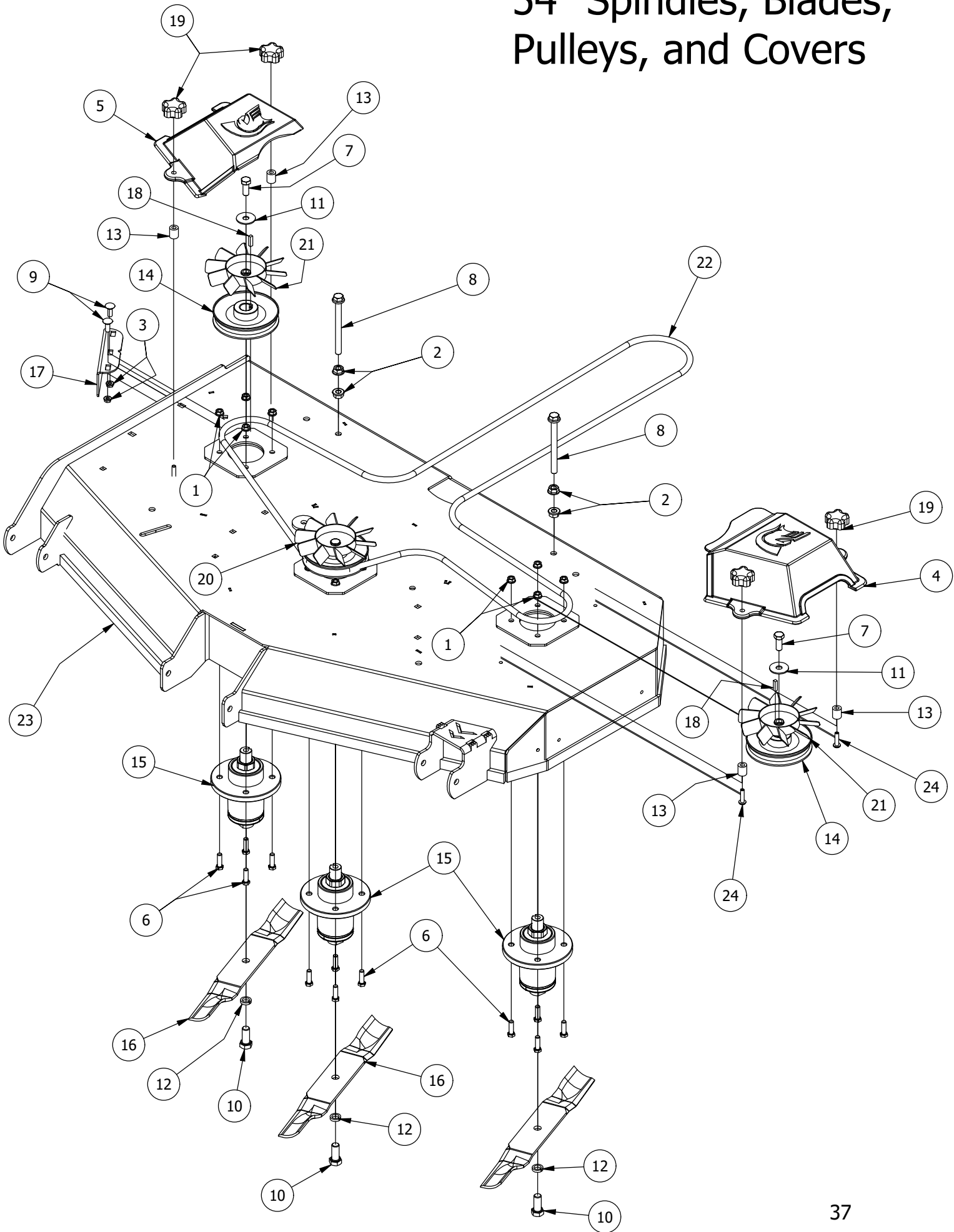
# 54" Deck Scalping Wheels and Stabilizer Assembly



54" Deck Scalping Wheels and Stabilizer Assembly

ITEM	QTY	PART NUMBER	DESCRIPTION
1	7	413-0002-00	1/2-13 NYLON INSERT FLANGE NUT ZINC YELLOW
2	8	413-0005-00	1/2-13 HEX FLANGE NUT W/SERR ZINC YELLOW
3	16	413-0011-00	7/16-14 HEX FLANGE NUT W/SERR ZINC YELLOW
4	8	418-0011-00	7/16-14X 1-3/4 HEX C/S GR5 ZINC Yellow
5	1	418-0015-00	1/2-13 X 8-1/2 HEX C/S GR 2 ZINC YELLOW
6	2	418-0016-00	1/2-13 X 5 HEX C/S GR 2 ZINC YELLOW
7	4	418-0021-00	1/2-13 X 3-3/4 HEX C/S GR 5 ZINC
8	3	418-0262-00	5/16-18 X 3/4 IND HWH UNSLOT (F) TCS ZC/Y
9	8	419-0010-00	.443 ID X .750 OD X .125 THK NYLON BLACK
10	4	422-0001-00	Anti-Scalp Wheel
11	1	429-0001-00	Mower Nylon Deck Guard
12	4	435-0007-00	Mower Deck Link
13	4	448-0001-00	Mower Deck Height Adjustment Stud
14	1	490-0014-00	Mower 54"/61" Deck Frame Stabilizer Assembly
15	1	490-0446-00	54" Stand On Deck Assembly
16	8	732-2000-00	Large MTV A-Arm Bushing
17	4	732-2001-00	Large MTV A-Arm Bushing Sleeve

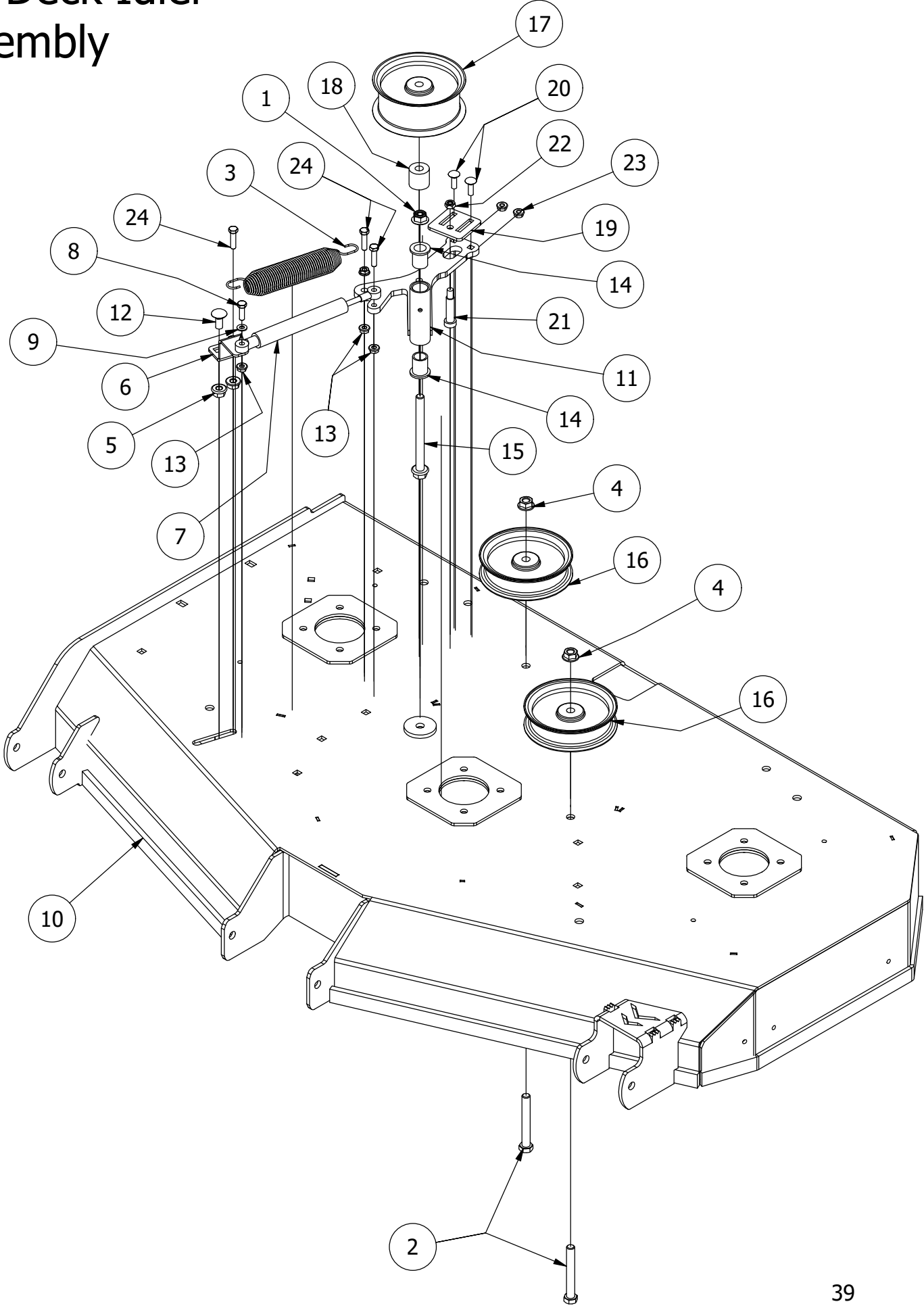
# 54" Spindles, Blades, Pulleys, and Covers



54" Spindles, Blades, Pulleys, and Covers

ITEM	QTY	PART NUMBER	DESCRIPTION
1	12	413-0004-00	3/8-16 HEX FLANGE NUT W/SERR ZINC
2	4	413-0005-00	1/2-13 HEX FLANGE NUT W/SERR ZINC YELLOW
3	2	413-0022-00	5/16-18 HEX FLANGE NUT W/SERR ZINC YELLOW
4	1	414-0018-00	48" & 54" Deck Left Pulley Cover
5	1	414-0032-00	Right Pulley Cover 54" Stand on
6	12	418-0005-00	3/8-16 x 1-1/4 Hex Bolt GR5
7	3	418-0006-00	1/2-20 X 1-1/4 HEX C/S GR 5 ZINC
8	2	418-0009-00	1/2-13 X 5-1/2 HEX FLANGE BOLT GR 8 ZY
9	2	418-0045-00	3/8-16 X 1 Carriage Bolt Zinc Yellow
10	3	418-0078-00	5/8-11 X 1-1/2 HEX C/S GR 8 ZC YELLOW
11	3	419-0001-00	1/2" X 1-5/8 BELLEVILLE CUP WASHER ZINC YELLOW
12	3	419-0004-00	5/8 SPLIT LOCKWASHER ZINC
13	4	425-0029-00	Stand On Pulley Cover Spacer
14	3	433-0004-00	Deck Pulley 54"
15	3	437-0027-00	Stand-On Mower Deck Spindle
16	3	438-0001-00	54" Mower Deck Blade
17	1	439-0399-00	2020 RT&SRT/RZ 54 Deck wiper Brkt
18	3	442-0001-00	1/4 X 1 SQUARE KEY STOCK
19	4	445-0005-00	5/16-18 5-LOBE (STAR) FEMALE SOFT TOUCH KNOB (1.90 DIA) BLK
20	1	450-0063-00	Stand-On Center Pulley Fan
21	2	450-0064-00	Stand-On Outside Pulley Fan
22	1	461-0017-00	Stand-On Mower 54" Deck Belt
23	1	490-0446-00	54" Stand On Deck Assembly
24	4	618-1008-00	5/16-18 x 1-1/4 Pan Torx Tri Lob Zinc

# 54" Deck Idler Assembly

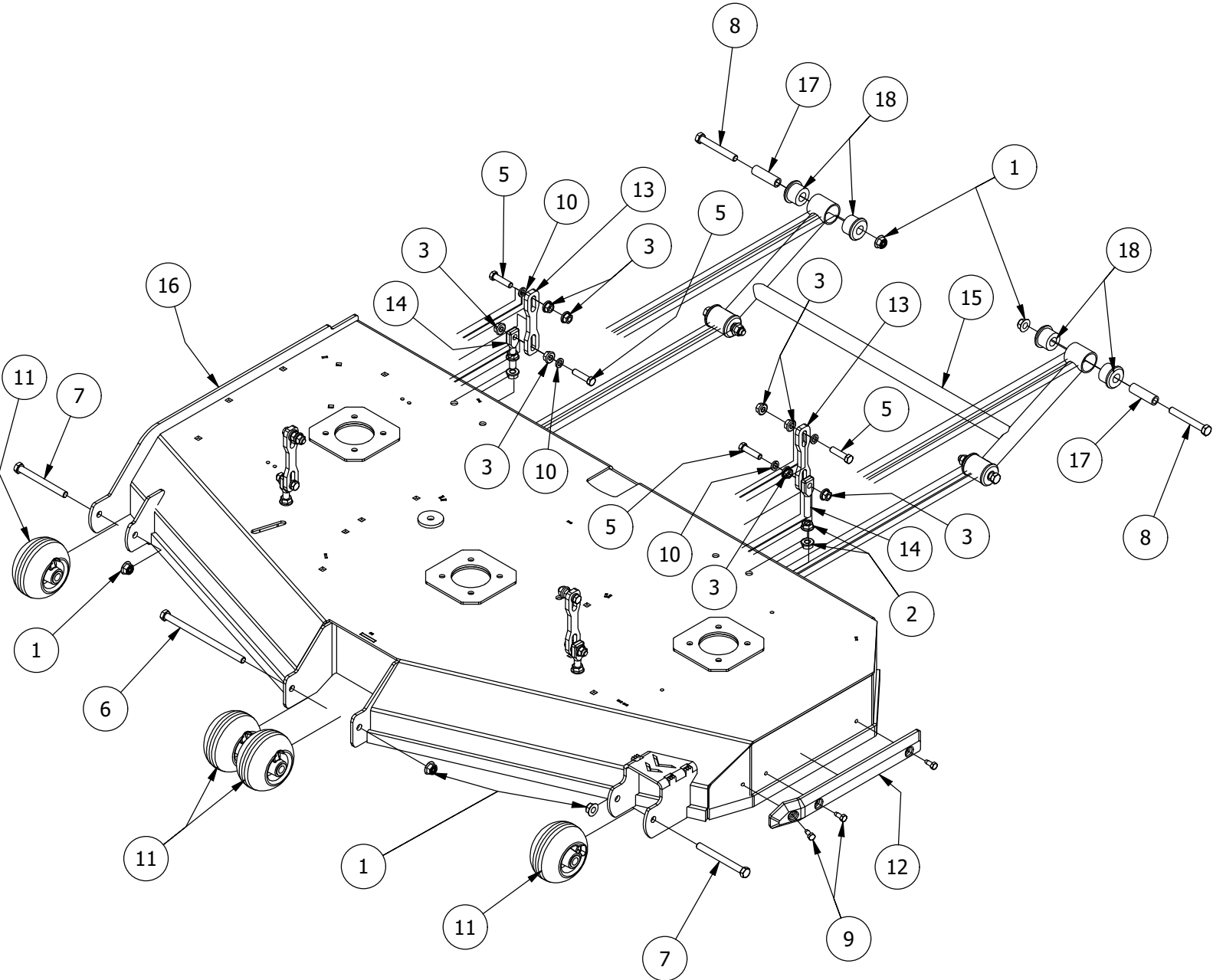


54" Deck Idler Assembly

ITEM	QTY	PART NUMBER	DESCRIPTION
1	1	413-0002-00	1/2-13 NYLON INSERT FLANGE LOCKNUT ZC YELLOW
2	2	418-0021-00	1/2-13 X 3-3/4 HEX C/S GR 5 ZINC
3	1	434-0007-00	2019 Mower Deck Spring
4	2	413-0005-00	1/2-13 HEX FLANGE NUT W/SERR ZINC YELLOW
5	1	413-0011-00	7/16-14 HEX FLANGE NUT W/SERR ZINC YELLOW
6	1	439-0685-00	Stand On Deck Belt Idler Dampener Mounting Bracket
7	1	434-0009-00	Idler Gas Spring
8	1	418-0108-00	5/16 x1 Hex C/S (GR8) ZC/Yel
9	1	413-0016-00	.312 ID X .625 OD X .062 THK THRUST BEARING OIL-IMPREG BRNZ
10	1	490-0446-00	54" Stand On Deck Assembly
11	1	490-0431-02	Stand On Deck Idler Assembly
12	1	418-0017-00	7/16-14 X 1 CARRIAGE BOLT ZINC
13	4	413-0027-00	5/16-18 NYLON INSERT FLANGE LOCKNUT ZC YELLOW
14	2	410-0007-00	3/4" ID X 15/16" OD X 1-1/8" LENGTH FLANGE BUSHING
15	1	418-0009-00	1/2-13 X 5-1/2 HEX FLANGE BOLT GR 8 ZY
16	2	433-0013-00	5-3/4" Idler Pulley, 7/16" Spacer Assembly
17	1	433-0020-00	Stand on 5.75" OD 2.345" tall Deck Idler Pulley
18	1	425-0031-00	Stand On Mower Deck Idler Spacer
19	1	426-0478-00	Stand On Deck Idler Pulley Belt Retainer Bracket
20	2	418-0060-00	5/16-18 X 1 CARRIAGE BOLT ZINC YELLOW
21	1	618-6064-00	1/2"-20x1-3/4" Shoulder Bolt
22	1	613-2004-00	3/8"-16 Nyloc Jam Nut
23	2	413-0022-00	5/16-18 HEX FLANGE NUT W/SERR ZINC YELLOW
24	3	418-0109-00	5/16- 18 x 1 1/4 Hex C/S (GR.8) ZC/Yel

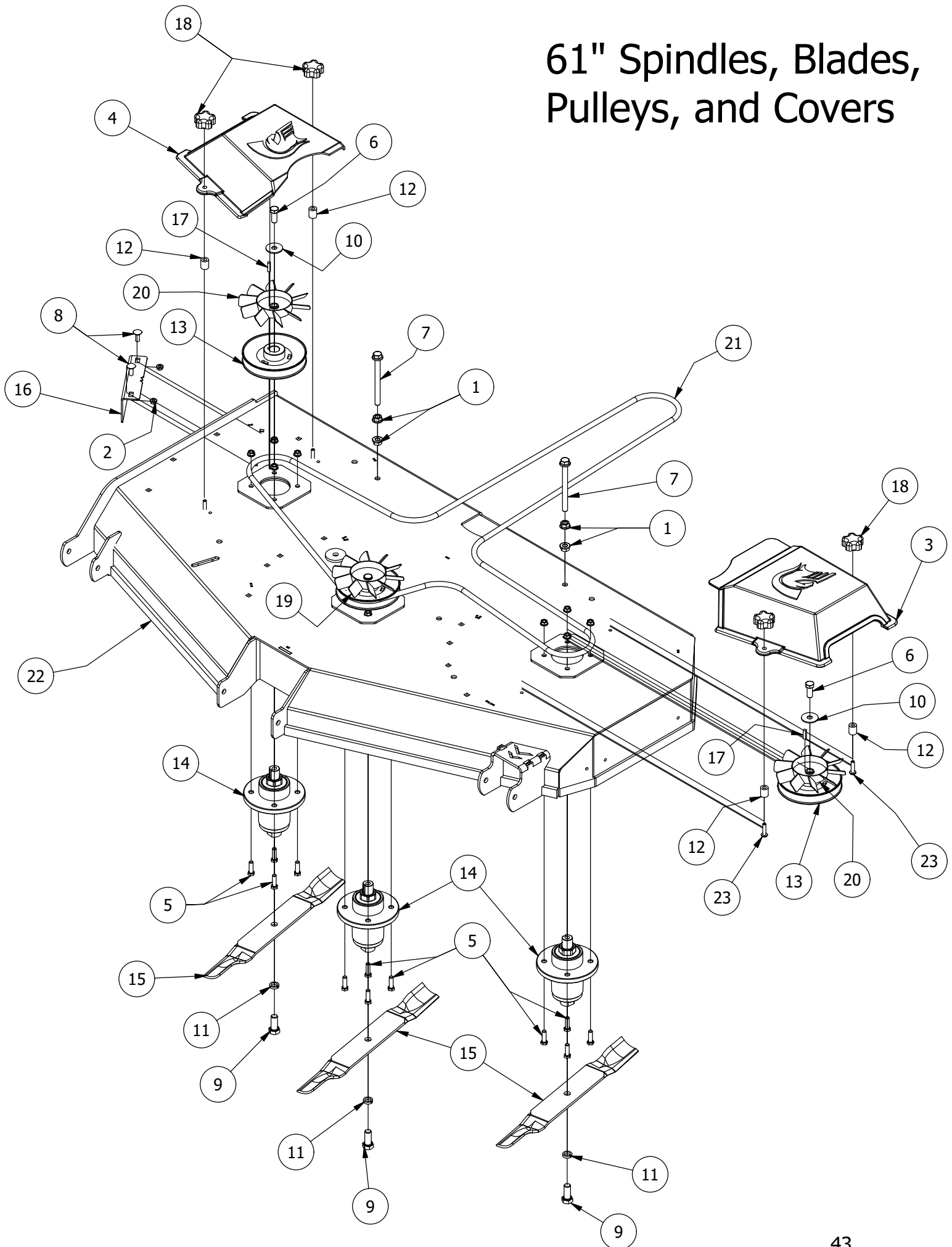


# 61" Deck Scalping Wheels and Stabilizer Assembly



61" Deck Scalping Wheels and Stabilizer Assembly			
ITEM	QTY	PART NUMBER	DESCRIPTION
1	7	413-0002-00	1/2-13 NYLON INSERT FLANGE NUT ZINC YELLOW
2	8	413-0005-00	1/2-13 HEX FLANGE NUT W/SERR ZINC YELLOW
3	16	413-0011-00	7/16-14 HEX FLANGE NUT W/SERR ZINC YELLOW
5	8	418-0011-00	7/16-14X 1-3/4 HEX C/S GR5 ZINC Yellow
6	1	418-0015-00	1/2-13 X 8-1/2 HEX C/S GR 2 ZINC YELLOW
7	2	418-0016-00	1/2-13 X 5 HEX C/S GR 2 ZINC YELLOW
8	4	418-0021-00	1/2-13 X 3-3/4 HEX C/S GR 5 ZINC
9	3	418-0262-00	5/16-18 X 3/4 IND HWH UNSLOT (F) TCS ZC/Y
10	8	419-0010-00	.443 ID X .750 OD X .125 THK NYLON BLACK
11	4	422-0001-00	Anti-Scalp Wheel
12	1	429-0001-00	Mower Nylon Deck Guard
13	4	435-0007-00	Mower Deck Link
14	4	448-0001-00	Mower Deck Height Adjustment Stud
15	1	490-0014-00	Mower 54"/61" Deck Frame Stabilizer Assembly
16	1	490-0456-00	61" Stand On Deck Assembly
18	8	732-2000-00	Large MTV A-Arm Bushing
17	4	732-2001-00	Large MTV A-Arm Bushing Sleeve

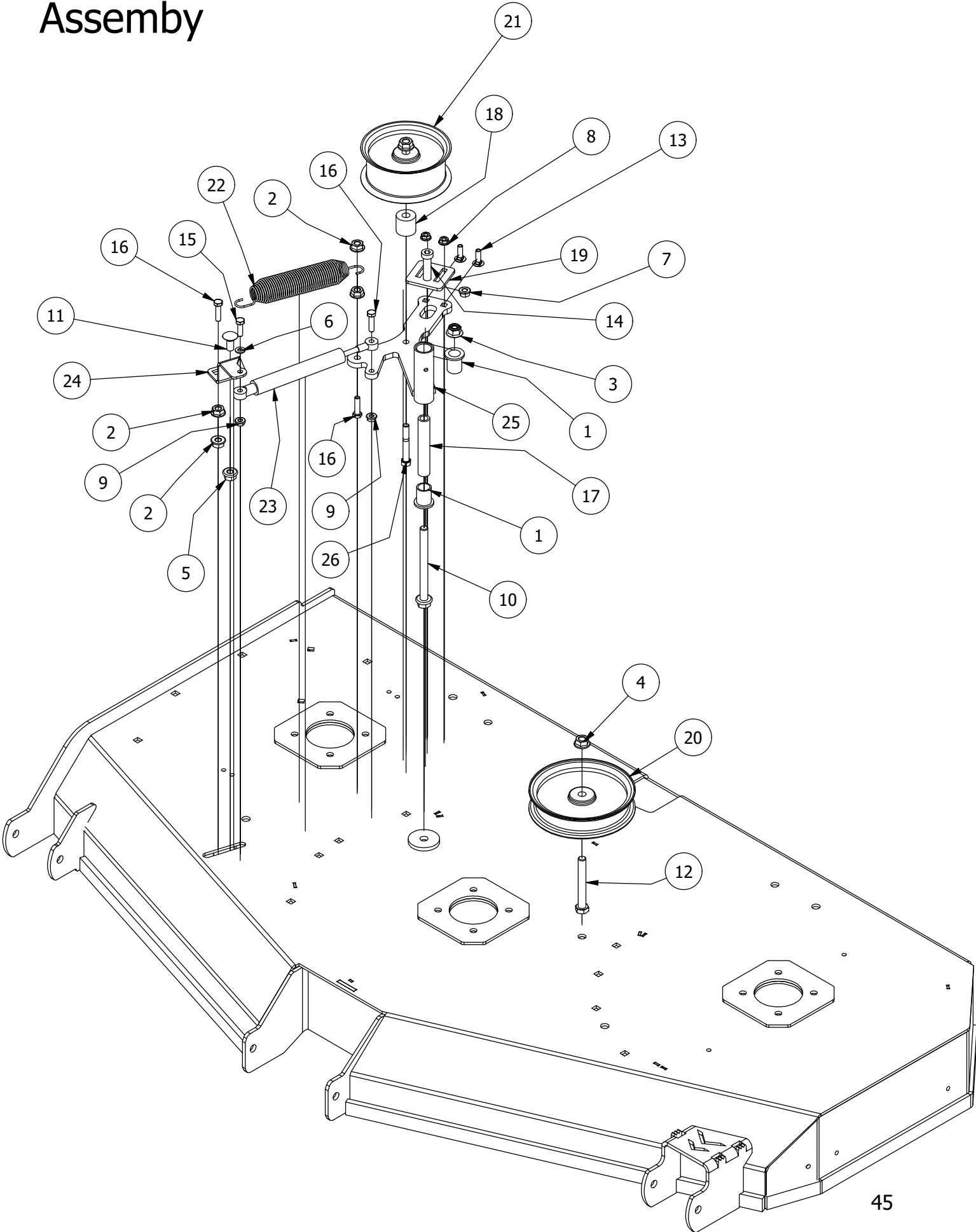
# 61" Spindles, Blades, Pulleys, and Covers



61" Spindles, Blades, Pulleys, and Covers

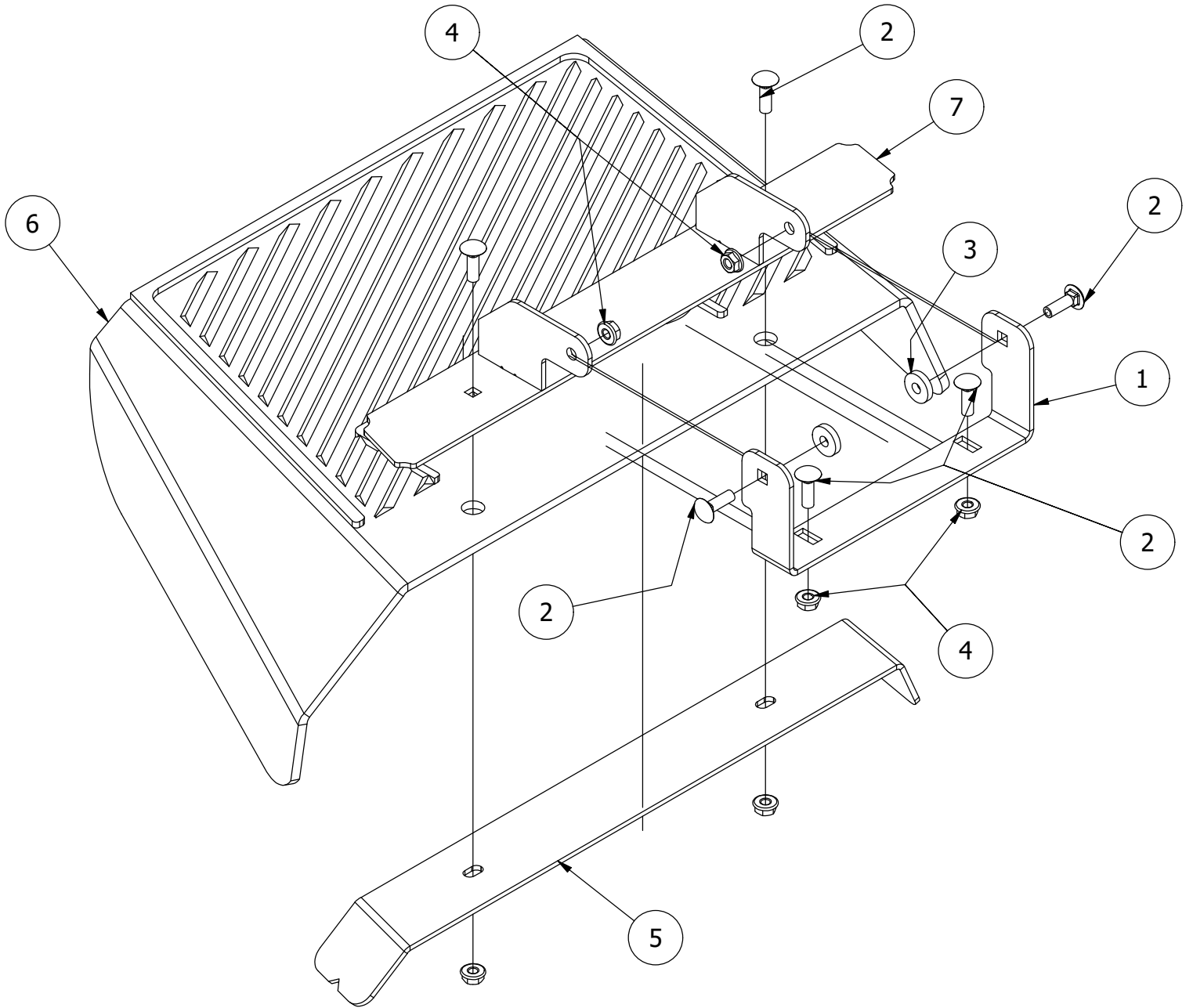
ITEM	QTY	PART NUMBER	DESCRIPTION
1	4	413-0005-00	1/2-13 HEX FLANGE NUT W/SERR ZINC YELLOW
2	2	413-0022-00	5/16-18 HEX FLANGE NUT W/SERR ZINC YELLOW
3	1	414-0021-00	Left Pulley Cover 61" RZ/RT/SRT, 72" RT/SRT
4	1	414-0033-00	Right Pulley Cover 61" Stand on
5	12	418-0005-00	3/8-16 x 1-1/4 Hex Bolt GR5
6	3	418-0006-00	1/2-20 X 1-1/4 HEX C/S GR 5 ZINC
7	2	418-0009-00	1/2-13 X 5-1/2 HEX FLANGE BOLT GR 8 ZY
8	2	418-0045-00	3/8-16 X 1 Carriage Bolt Zinc Yellow
9	3	418-0078-00	5/8-11 X 1-1/2 HEX C/S GR 8 ZC YELLOW
10	3	419-0001-00	1/2" X 1-5/8 BELLEVILLE CUP WASHER ZINC YELLOW
11	3	419-0004-00	5/8 SPLIT LOCKWASHER ZINC
12	4	425-0029-00	Stand On Pulley Cover Spacer
13	3	433-0003-00	Deck Pulley 61"
14	3	437-0027-00	Stand-On Mower Deck Spindle
15	3	438-0002-00	61" Mower Deck Blade
16	1	439-0398-00	2020 RT&SRT/RZ 61 Deck wiper Brkt
17	3	442-0001-00	1/4 X 1 SQUARE KEY STOCK
18	4	445-0005-00	5/16-18 5-LOBE (STAR) FEMALE SOFT TOUCH KNOB (1.90 DIA) BLK
19	1	450-0063-00	Stand-On Center Pulley Fan
20	2	450-0064-00	Stand-On Pulley Fan
21	1	461-0018-00	Stand-On Mower 61" Deck Belt
22	1	490-0456-00	61" Stand On Deck Assembly
23	4	618-1008-00	5/16-18 x 1-1/4 Pan Torx Tri Lob Zinc

# 61" Deck Idler Assembly



61" Deck Idler Assembly			
ITEM	QTY	PART NUMBER	DESCRIPTION
1	2	410-0007-00	3/4" ID X 15/16" OD X 1-1/8" LENGTH FLANGE BUSHING
2	4	413-0001-00	7/16-14 HEX FLANGE NUT W/SERR ZINC
3	1	413-0002-00	1/2-13 NYLON INSERT FLANGE LOCKNUT ZC YELLOW
4	2	413-0005-00	1/2-13 HEX FLANGE NUT W/SERR ZINC YELLOW
5	1	413-0011-00	7/16-14 HEX FLANGE NUT W/SERR ZINC YELLOW
6	1	413-0016-00	.312 ID X .625 OD X .062 THK THRUST BEARING OIL-IMPREG BRNZ
7	1	413-0020-00	3/8-16 HEX FLANGE NUT W/SERR ZINC YELLOW
8	2	413-0022-00	5/16-18 HEX FLANGE NUT W/SERR ZINC YELLOW
9	2	413-0027-00	5/16-18 NYLON INSERT FLANGE LOCKNUT ZC YELLOW
10	1	418-0009-00	1/2-13 X 5-1/2 HEX FLANGE BOLT GR 8 ZY
11	1	418-0017-00	7/16-14 X 1 CARRIAGE BOLT ZINC
12	1	418-0021-00	1/2-13 X 3-3/4 HEX C/S GR 5 ZINC
13	2	418-0060-00	5/16-18 X 1 CARRIAGE BOLT ZINC YELLOW
14	1	418-0106-00	1/2"-20x1-3/4" Shoulder Bolt
15	1	418-0108-00	5/16 x1 Hex C/S (GR8) ZC/Yel
16	3	418-0109-00	5/16- 18 x 1 1/4 Hex C/S (GR.8) ZC/Yel
17	1	425-0006-00	Mower Inner Idler Spacer
18	1	425-0031-00	Stand On Mower Deck Idler Spacer
19	1	426-0478-00	Stand On Deck Idler Pulley Belt Retainer Bracket
20	1	433-0015-00	6-3/4" Idler Pulley, 15/16" Spacer Assembly
21	1	433-0020-00	Stand on 5.75" OD 2.345" tall Deck Idler Pulley
22	1	434-0007-00	2019 Mower Deck Spring
23	1	434-0009-00	Idler Gas Spring
24	1	439-0685-00	Stand On Deck Belt Idler Dampener Mounting Bracket
25	1	490-0431-02	Stand On Deck Idler Assembly
26	1	618-2078-00	3/8-16 x 2-3/4 Hex C/S GR2 Zinc

# Deck Chute Assembly



Deck Chute Assembly			
ITEM	QTY	PART NUMBER	DESCRIPTION
1	1	439-0111-00	Mower Chute Mounting Bracket
2	6	418-0060-00	5/16-18 X 1 CARRIAGE BOLT ZINC YELLOW
3	2	419-0006-00	.312 ID X .875 OD X .1875 THK F/W NYLON BLK
4	6	413-0027-00	5/16-18 NYLON INSERT FLANGE LOCKNUT ZC YELLOW
5	1	439-0190-00	2020 Deck Chute Hinge Backer Bracket
6	1	481-0011-00	2020 RT/SRT Rubber Discharge Chute
7	1	490-0056-02	RT/SRT Deck Chute Hinge Assembly



491-0158-00 & 491-0159-00  
Fuel Tank Decals



491-0157-00  
Height Indicator Decal



491-0155-00  
Front Spartan Decal



491-0193-00  
King of Grass Decal



491-0162-00  
852cc Model Decal



491-0191-00  
37 EFI Engine Decal



491-0190-00  
EPA Compliance Label



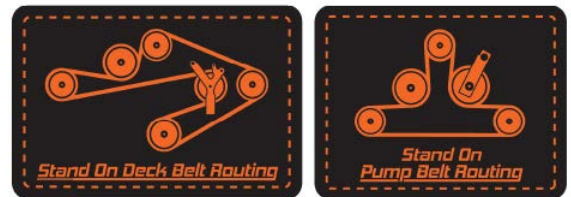
491-0130-00  
54" Deck Decal



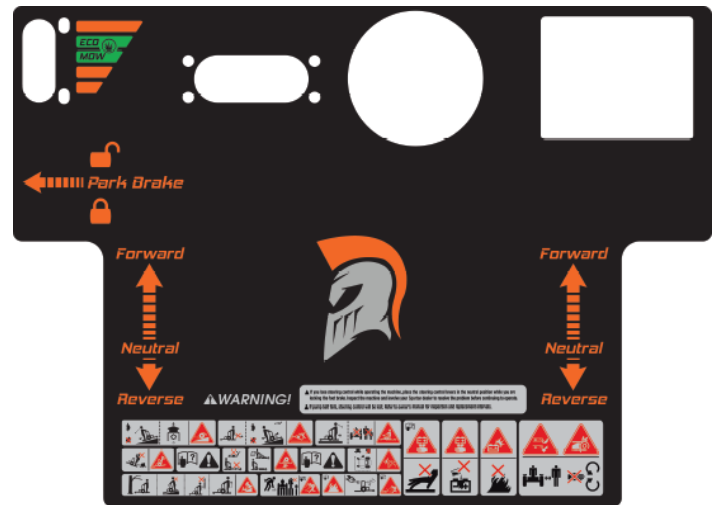
491-0131-00  
61" Deck Decal



491-0165-00  
Belt Routing Decals



491-0160-00  
Control Console Decal



491-0192-00  
Fender KG XD Decal

