

Intimidator UTV Part Manual

Enforcer

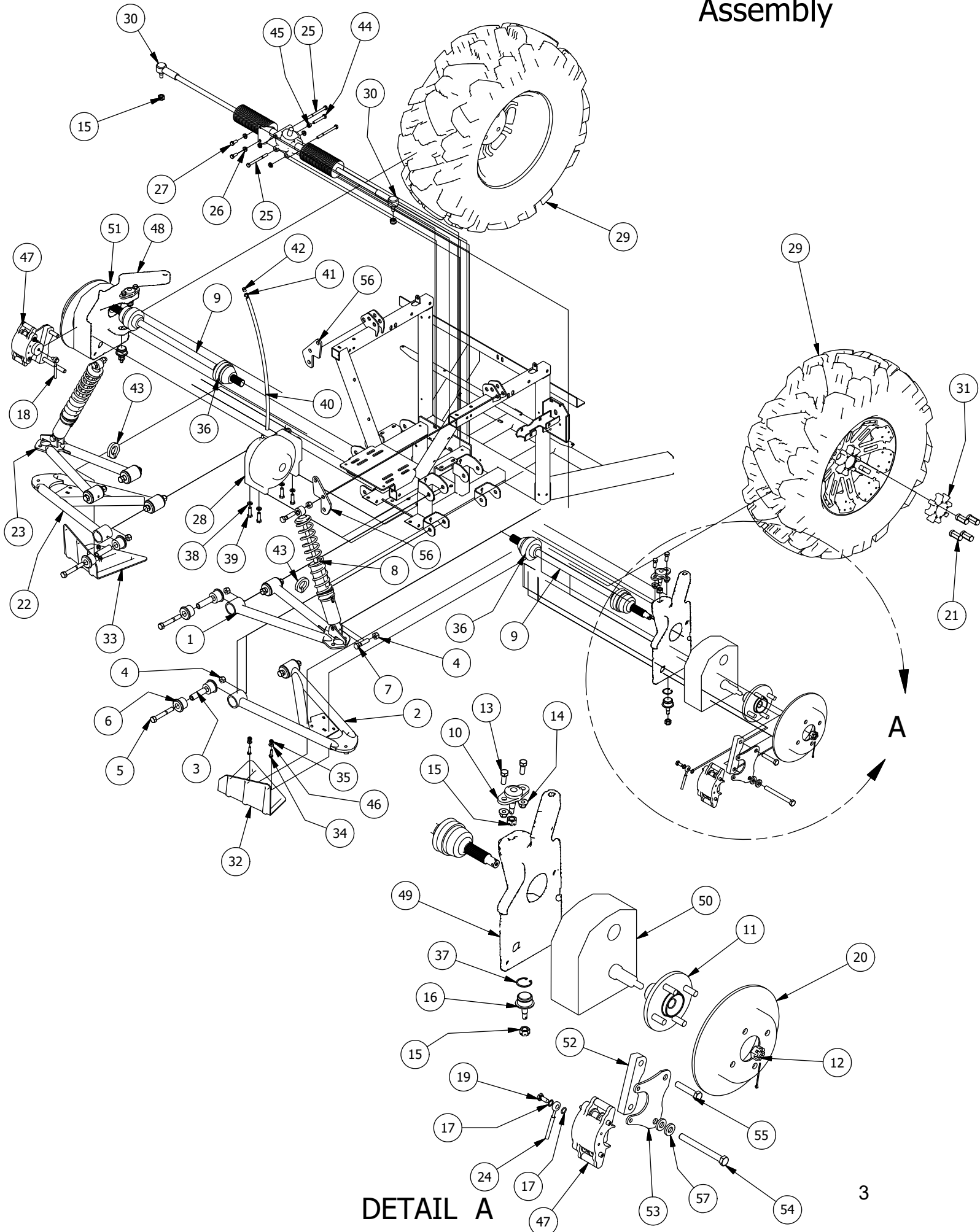


www.IntimidatorUTV.com

Table of Contents

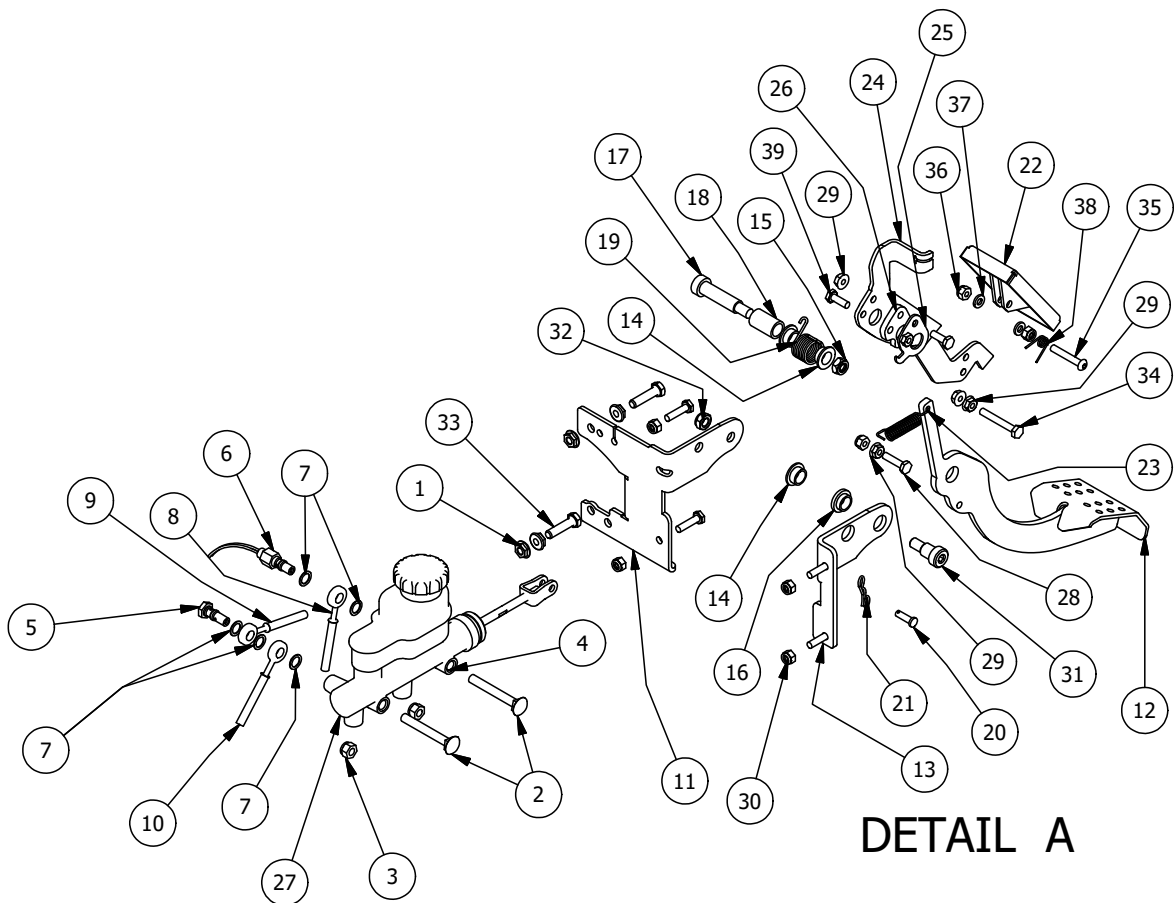
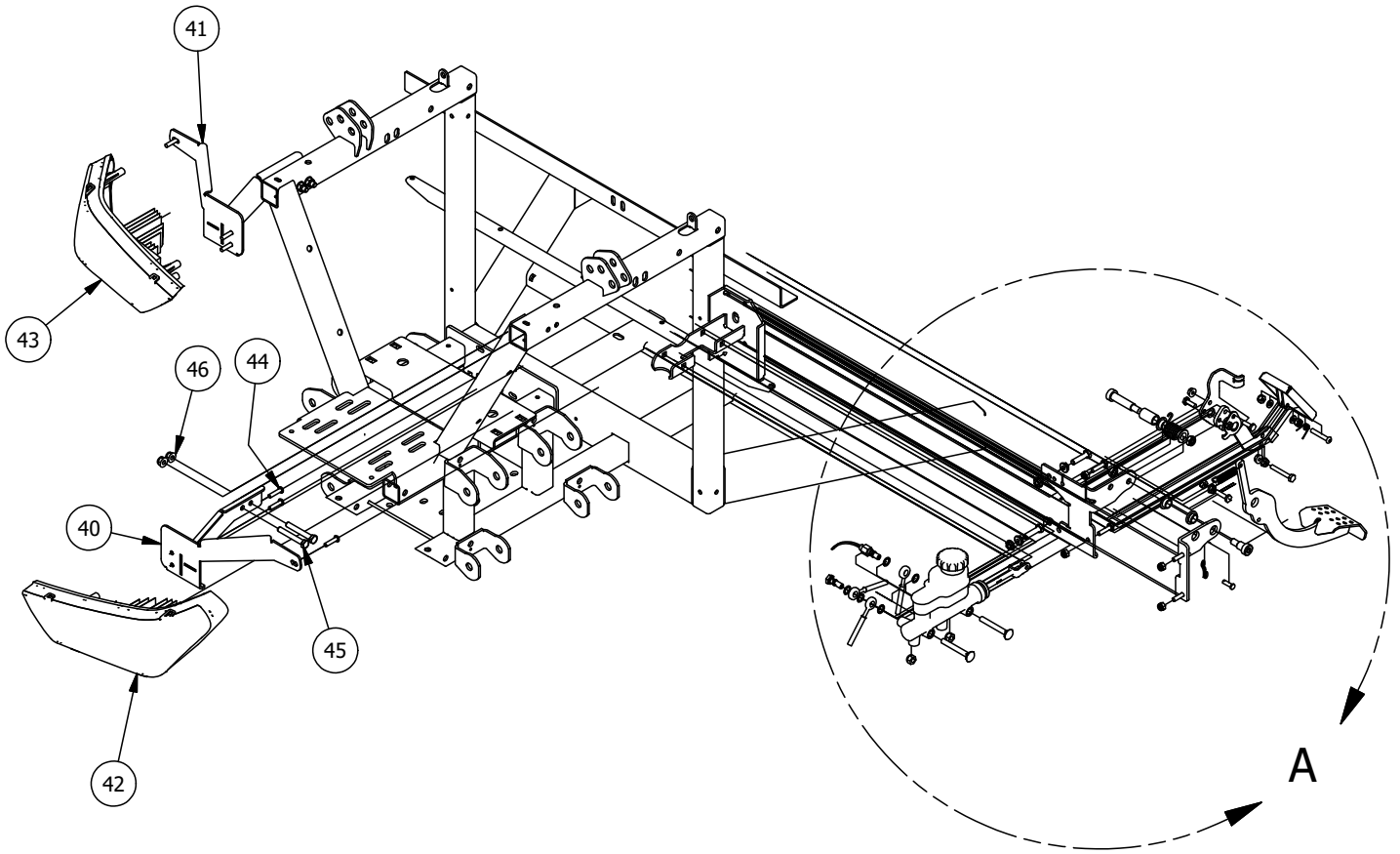
| | |
|--|-------|
| Front Suspension Assembly | 3 |
| Parts List | 4 |
| Lights and Break Assemblies | 5 |
| Parts List | 6 |
| Seat and Grill Assemblies | 7 |
| Parts List | 8 |
| Dash Assembly | 9 |
| Parts List..... | 10 |
| Plastic Assembly | 11 |
| Parts List | 12 |
| Radiator Assembly | 13 |
| Parts List..... | 14 |
| Engine only Assembly | 15 |
| Engine in Frame Assembly | 16 |
| Parts List..... | 17 |
| Rear Suspension Assembly | 18 |
| Parts List | 19 |
| ROPs Assembly | 20 |
| Safety Net Assemblies | 21 |
| Bed Assembly (1 of 2) | 22 |
| Parts List | 23 |
| Bed Assembly (2 of 2) | 24 |
| Parts List | 25 |
| Decals | 26-27 |

Front Suspension Assembly



| Front Suspension Assembly | | | |
|---------------------------|-----|-------------|---|
| ITEM | QTY | PART NUMBER | DESCRIPTION |
| 1 | 1 | 787-3201-00 | Left Front Upper A-arm Assy |
| 2 | 1 | 787-3203-00 | Left Front Lower A-Arm Assy |
| 3 | 8 | 732-2001-00 | Large MTV A-Arm Bushing Sleeve |
| 4 | 12 | 613-6037-00 | 1/2-13 Nylon Insert Locknut |
| 5 | 8 | 618-2006-00 | 1/2" - 13X3-1/2" Hex Bolt Gr 5 |
| 6 | 16 | 732-2000-00 | Large MTV A-Arm Bushing |
| 7 | 4 | 618-5049-00 | 1/2-13 x 2 GR5 Hex Bolt Zinc |
| 8 | 2 | 787-2012-00 | ELKA Front Shock |
| 9 | 2 | 737-2029-00 | Half-Shaft - Front Large UTV |
| 10 | 2 | 799-2003-00 | Ball Joint-Spindle-Upper High Strength |
| 11 | 2 | 786-2000-00 | Hub-Large UTV |
| 12 | 2 | 765-1012-00 | Rear Hub Castle Nut |
| 13 | 4 | 618-6049-00 | 3/8-16 X 1 GR 5 Hex Bolts Zinc |
| 14 | 4 | 613-5202-00 | 3/8-16 Nylock Flange Nut |
| 15 | 6 | 613-2003-00 | M12 X 1.25 Castle Nut |
| 16 | 2 | 799-2000-00 | Ball Joint-Spindle-Lower |
| 17 | 4 | 616-1025-00 | 10 mm copper crush washer |
| 18 | 1 | 716-3002-00 | Brake Line Front Right-Lg UTV |
| 19 | 2 | 616-1015-00 | Banjo Bolt M 10mm x 1.0 |
| 20 | 2 | 716-2000-00 | Rotor - Large UTV |
| 21 | 8 | 613-0001-00 | 1/2 Lug Nut-44011- Front |
| 22 | 1 | 787-3202-00 | Right Front Lower A-Arm Assy |
| 23 | 1 | 787-3200-00 | Right Front Upper A-Arm Assy |
| 24 | 1 | 716-3000-00 | Brake Line Front Left-Lg UTV |
| 25 | 3 | 618-2060-00 | 5/16-18 X 3 1/2 GR 5 Hex Bolts Zinc |
| 26 | 5 | 613-9002-00 | 5/16-18 Hex Flange Nuts Zinc w/Serations |
| 27 | 2 | 618-8063-00 | 5/16-18 x 3/4 GR 5 Hex bolt Zinc |
| 28 | 1 | 756-3004-00 | Front Differential-800cc |
| 29 | 2 | 722-4121-00 | Right Wheel Assembly |
| 30 | 2 | 710-1014-00 | Tie Rod End-Intimidator |
| 31 | 2 | 722-4005-00 | XD Sport Wheel Center Cap |
| 32 | 1 | 780-2206-00 | Left A Frame Guard-2500 |
| 33 | 1 | 780-2207-00 | Right A Frame Guard-2500 |
| 34 | 4 | 618-4007-00 | 1/4-20 x 1 Grade 5 Hex bolts Zinc |
| 35 | 4 | 613-8073-00 | 1/4-20 Nylon Insert Locknut Zinc Orange Nylon |
| 36 | 4 | 712-3222-00 | Half Shaft CV Boot Kit |
| 37 | 2 | 799-2001-00 | Retaining Ring-Lg MTV Ball Jt |
| 38 | 8 | 619-5037-00 | 3/8 Lockwasher Zinc |
| 39 | 8 | 618-5040-00 | 3/8-16 x 1-1/4 Hex Bolt GR5 |
| 40 | 1 | 751-1018-00 | 5/16 ID 7/16 OD Hose |
| 41 | 1 | 772-1001-00 | 5/16 Spring Hose Clamp |
| 42 | 1 | 724-1045-00 | Breather Plug Threaded |
| 43 | 2 | 772-2050-00 | Break Line Anchor-1-1/4" |
| 44 | 1 | 618-2071-00 | 5/16-18X 2" Hex Head Cap Screw |
| 45 | 1 | 613-8047-00 | 5/16-18 Nylock HEX Nut |
| 46 | 4 | 619-0010-50 | 1/4 Flat Washer Black |
| 47 | 2 | 616-1051-00 | Hydraulic Caliper |
| 48 | 1 | 737-3031-00 | Portal Right Front Mounting Bracket |
| 49 | 1 | 737-3030-00 | Portal Left Front Mounting Bracket |
| 50 | 1 | 737-3034-00 | Left Side Portal Box |
| 51 | 1 | 737-3035-00 | Right Side Portal Box |
| 52 | 2 | 725-3212-00 | Portal Brake Mounting Brkt Spacer |
| 53 | 2 | 739-3436-00 | Portal Brake Mounting Brkt |
| 54 | 2 | 618-1078-00 | 1/2-13 x 5 Hex C/S |
| 55 | 2 | 618-1079-00 | M12-1.75 X 60mm Hex C/S |
| 56 | 2 | 726-8060-00 | Intimidator Front Lift Kit Plate |
| 57 | 4 | 619-0062-00 | 1/2 F/W SAE (1-1/16" OD) ZC |

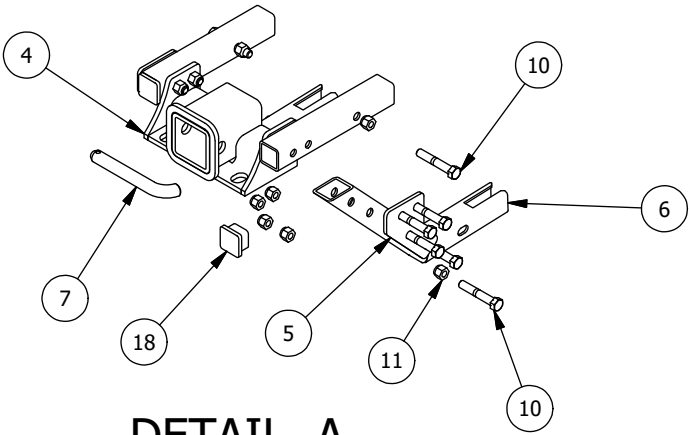
Lights and Brake Assemblies



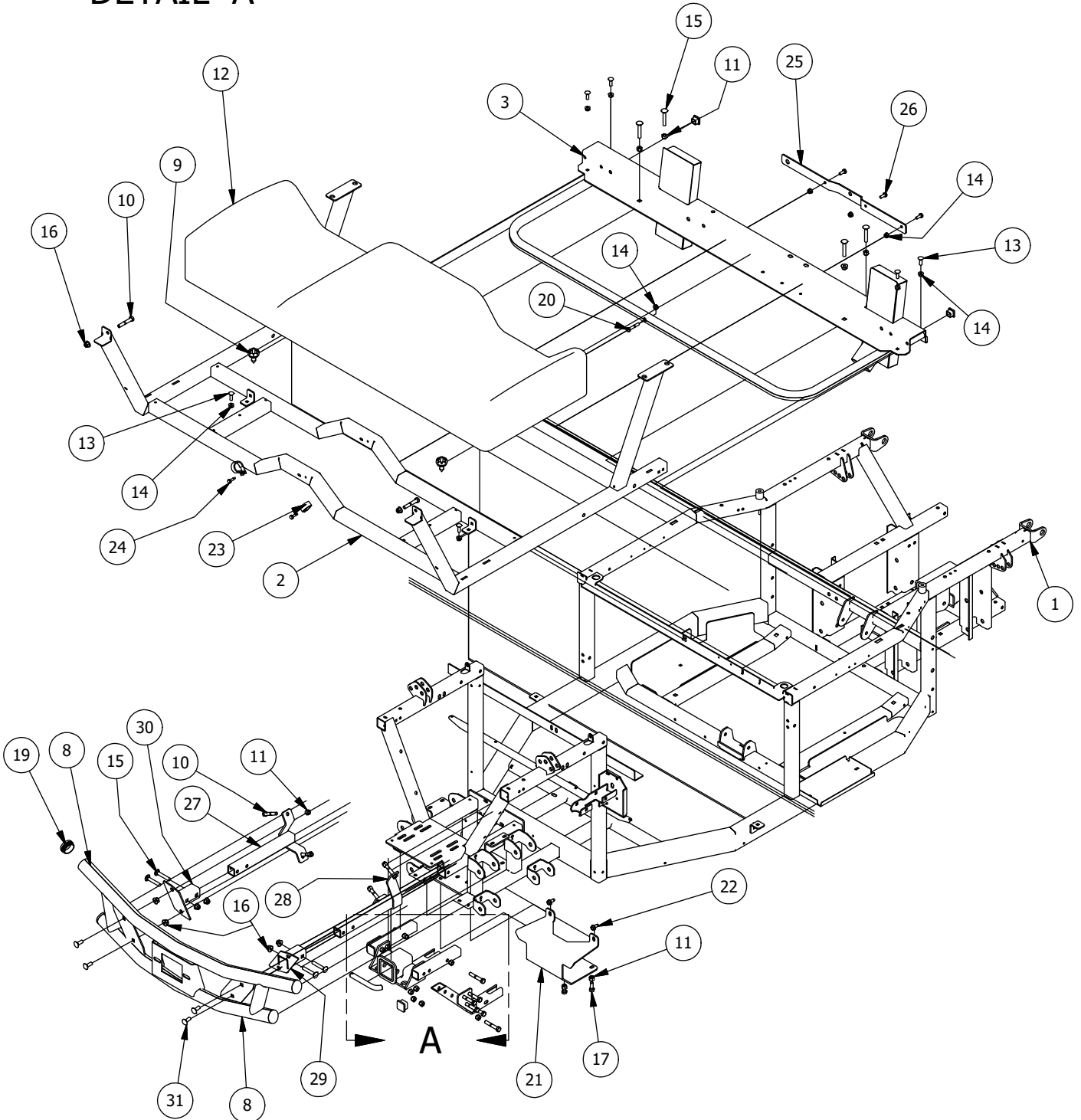
DETAIL A

| Lights and Brake Assemblies | | | |
|-----------------------------|-----|-------------|---|
| ITEM | QTY | PART NUMBER | DESCRIPTION |
| 1 | 4 | 613-9002-00 | 5/16-18 Hex Flange Nuts Zinc w/Serations |
| 2 | 2 | 618-2019-00 | 5/16" - 18 X 2-1/2" Carriage Bolt |
| 3 | 2 | 613-8047-00 | 5/16-18 Nylock HEX Nut |
| 4 | 1 | 716-1000-00 | Master Cylinder, Dual Cylinder |
| 5 | 1 | 716-1017-00 | Banjo Bolt-Double-10mm-1.0 |
| 6 | 1 | 777-1011-00 | Brake Switch-Banjo-2012 |
| 7 | 5 | 616-1025-00 | 10 mm copper crush washer |
| 8 | 1 | 716-3004-00 | Brake Line-MC to Rear T-Lg UTV |
| 9 | 1 | 716-3002-00 | Brake Line Front Left-Lg UTV |
| 10 | 1 | 716-3000-00 | Brake Line Front Right-Lg UTV |
| 11 | 1 | 739-4202-00 | Brake Pedal Bracket-Right-2500 |
| 12 | 1 | 716-2012-00 | Brake Pedal Assy-Large UTV |
| 13 | 1 | 739-4200-00 | Brake Pedal Bracket Left-2500 |
| 14 | 3 | 632-5000-00 | 1/2 IDx 5/8 x 5/16 OIB Bushing |
| 15 | 1 | 613-2004-00 | 3/8"-16 Nyloc Jam Nut |
| 16 | 1 | 732-2003-00 | Bushing, Oil Impregnated |
| 17 | 1 | 618-6064-00 | 12"X1-3/4" Shoulder Bolt |
| 18 | 1 | 725-1009-00 | Pedal Spring Spacer LRG UTV 1-1/8 spacer |
| 19 | 1 | 734-2002-00 | Spring-Accelerator Pedal |
| 20 | 1 | 620-1000-00 | Clevis Pin, 1/4" x 3/4" |
| 21 | 1 | 620-1002-00 | Bow Tie Clip |
| 22 | 1 | 755-1004-00 | Accelerator Pedal Assy-LG UTV |
| 23 | 1 | 734-2000-00 | Spring-Park Brake |
| 24 | 1 | 739-4215-00 | Accel Pedal Lever |
| 25 | 1 | 739-4216-00 | Accel Pedal Spring Anchor |
| 26 | 1 | 725-1007-00 | Accel Pedal Spacer |
| 27 | 1 | 785-1020-00 | Break Fluid DOT3 .3 quarts |
| 28 | 5 | 618-4007-00 | 1/4-20 x 1 Grade 5 Hex bolts Zinc |
| 29 | 5 | 613-9001-00 | 1/4-20 Hex Flange Nuts Zinc W/Serrations |
| 30 | 5 | 613-8073-00 | 1/4-20 Nylon Insert Locknut Zinc Orange Nylon |
| 31 | 1 | 618-6062-00 | 1/2" x 5/8" Soc. Shoulder Bolt |
| 32 | 1 | 613-2004-00 | 3/8"-16 Nyloc Jam Nut |
| 33 | 2 | 618-2029-00 | 5/16" x 1-1/4" Hex C/S Gr 5 |
| 34 | 1 | 618-2016-50 | 1/4-20 x 1-3/4" Hex Bolt |
| 35 | 1 | 618-2038-50 | 1/4-20 X1-1/2" BH Socket Scr Blk |
| 36 | 2 | 613-8073-50 | 1/4-20 Nylon Insert Locknut BL |
| 37 | 2 | 619-4012-00 | .255 ID x .500 OD x .075 Thick TFE Washer |
| 38 | 1 | 734-2003-00 | Spring-Accelerator Pedal Assy |
| 39 | 2 | 618-8052-00 | 1/4-20 x 3/4 Grade 5 Hex bolts Zinc |
| 40 | 1 | 770-3371-00 | 2018 Uniq Headlight Left Mounting Bracket Assembly |
| 41 | 1 | 770-3372-00 | 2018 Uniq Headlight Right Mounting Bracket Assembly |
| 42 | 1 | 786-0039-00 | Headlight Assembly Left MY2018 |
| 43 | 1 | 786-0040-00 | Headlight Assembly Right MY2018 |
| 44 | 6 | 618-2037-50 | 1/4-20 X1 Button Socket C/S Black |
| 45 | 4 | 618-2034-00 | 5/16" x 2-1/4" Hex Hd Cap Scr. |
| 46 | 4 | 613-8049-00 | 5/16-18 Nylon Insert Flange Nut Zinc Orange Nylon |

Seat and Grill Assemblies

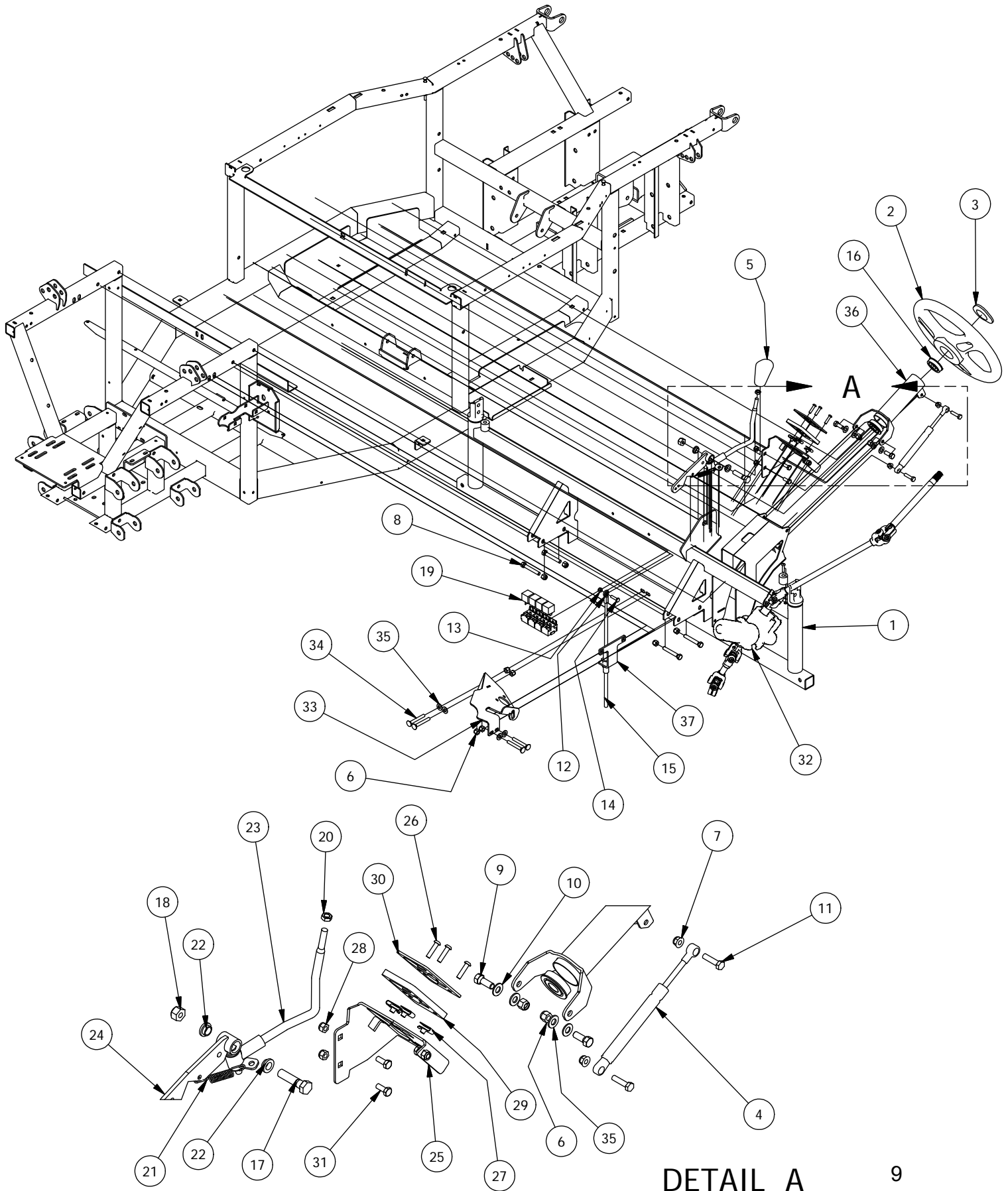


DETAIL A



| Parts List | | | |
|------------|-----|-------------|---|
| ITEM | QTY | PART NUMBER | DESCRIPTION |
| 1 | 1 | 770-3322-00 | 800cc Single Cab Main Frame Assembly |
| 2 | 1 | 770-3000-00 | Floor Board Support Assy |
| 3 | 1 | 770-3014-00 | Seat Frame Assy, 800cc |
| 4 | 2 | 793-3210-00 | Front Receiver Assembly |
| 5 | 2 | 739-4401-00 | Front Receiver Gusset Intimidator |
| 6 | 2 | 703-4401-00 | Front Receiver Bottom Tube Intimidator |
| 7 | 1 | 793-3212-00 | Hitch Pin |
| 8 | 1 | 770-3382-00 | Intimidator 2018 Front Bumper Assembly |
| 9 | 2 | 739-2300-00 | Seat Pin Latch Assembly |
| 10 | 18 | 618-2022-00 | 3/8" - 16 X 2-1/4" Hex Bolt |
| 11 | 31 | 613-5041-00 | 3/8-16 Nylon Insert Locknut |
| 12 | 1 | 771-2016-00 | King Ranch Seat Bottom |
| 13 | 6 | 618-8065-00 | 5/16-18 x 1 Carriage Bolt |
| 14 | 12 | 613-8049-00 | 5/16-18 Nylon Insert Flange Nut Zinc Orange Nylon |
| 15 | 8 | 618-2023-00 | 3/8"-16 x 2-1/4" Carriage Bolt |
| 16 | 11 | 613-5202-00 | 3/8-16 Nylock Flange Nut |
| 17 | 4 | 618-6049-00 | 3/8-16 X 1 GR 5 Hex Bolts Zinc |
| 18 | 2 | 714-1002-00 | 1-1/4"x1-1/4" Black Tube Plug |
| 19 | 4 | 614-3410-00 | 1-3/4" Round Tubing Plug |
| 20 | 1 | 618-8059-00 | 5/16-18 x 1-3/4 Grade 5 Hex Bolt |
| 21 | 1 | 726-3210-00 | Brush Guard Skid Plate |
| 22 | 2 | 618-2021-00 | 5/16" - 18 3/4" Ind Hex Washr Hd - Type F |
| 23 | 2 | 772-2012-00 | 1-3/8 inch Loop Clamp |
| 24 | 2 | 630-7040-00 | 1/4 x 1 Hex Head Tek Screw |
| 25 | 1 | 739-3409-00 | Rotary Latch Bracket-Frame 800cc |
| 26 | 3 | 618-8063-00 | 5/16-18 x 3/4 GR 5 Hex bolt Zinc |
| 27 | 1 | 790-2503-00 | TGB 1000 Front Bumper Right Frame Mounting Bracket Assembly |
| 28 | 1 | 790-2502-00 | TGB 1000 Front Bumper Left Frame Mounting Bracket Assembly |
| 29 | 1 | 770-3373-00 | 2018 Front Bumper Left Frame Mounting Bracket Assembly |
| 30 | 1 | 770-3374-00 | 2018 Front Bumper Right Frame Mounting Bracket Assembly |
| 31 | 4 | 618-2011-00 | 3/8 - 16 X 1" Carriage Bolt |

Dash Assembly

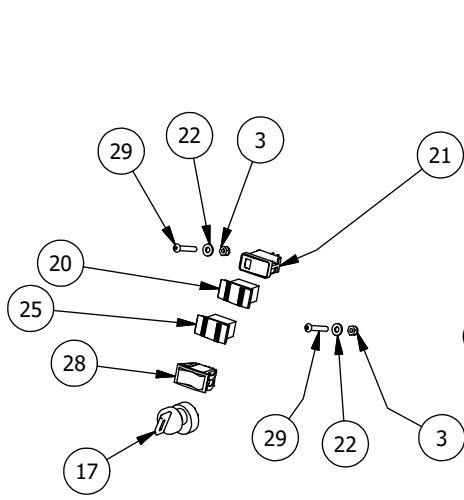


DETAIL A

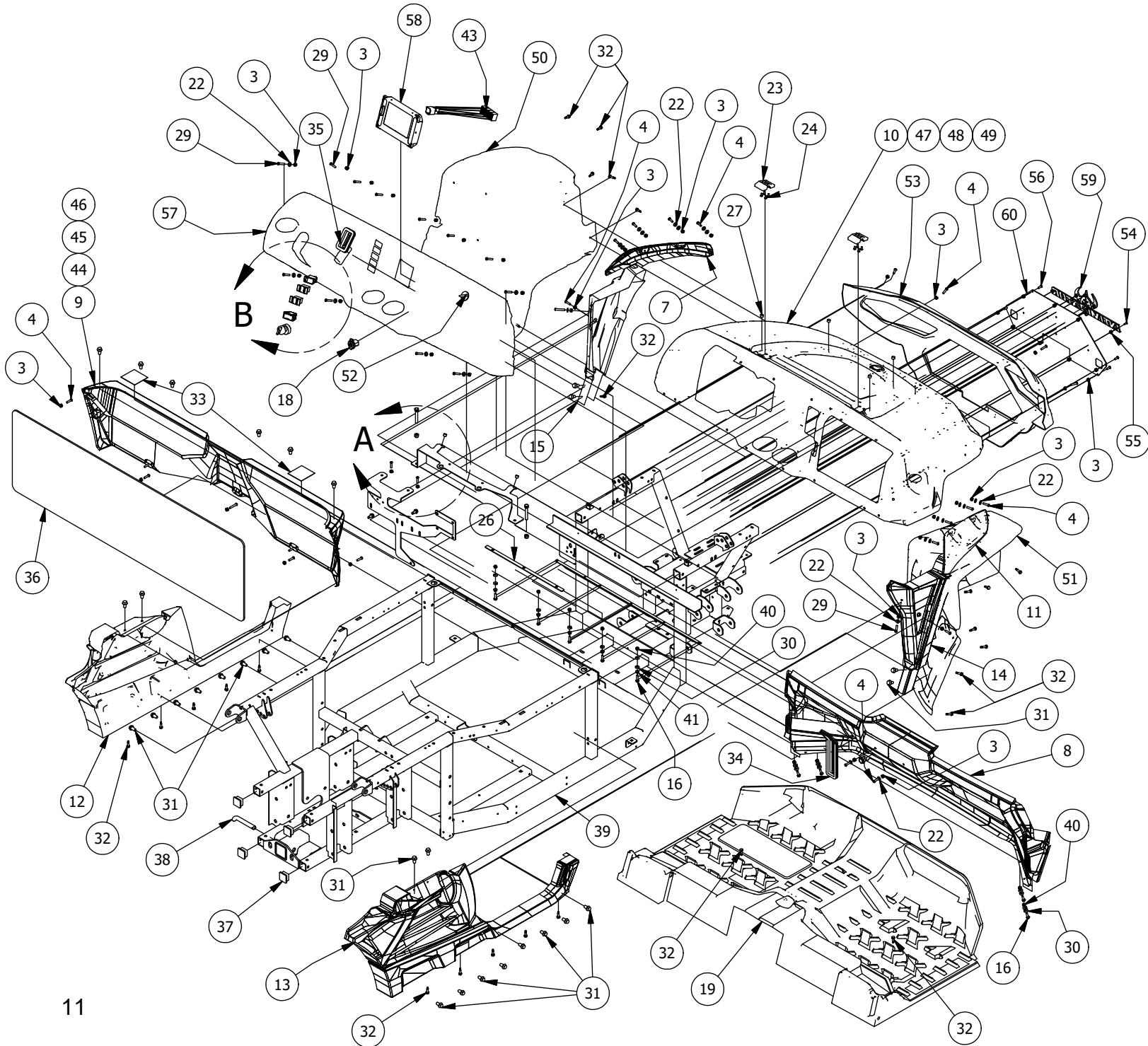
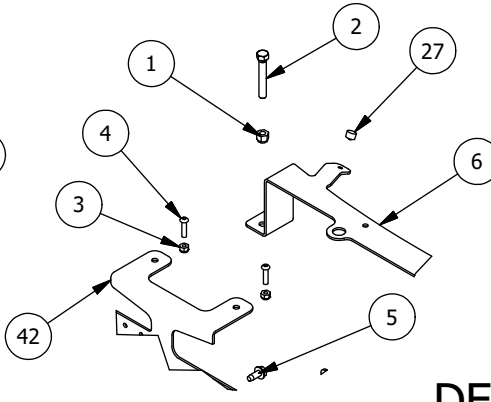
| Dash Assembly | | | |
|---------------|-----|-------------|---|
| ITEM | QTY | PART NUMBER | DESCRIPTION |
| 1 | 1 | 770-3002-00 | Dash Support Assy |
| 2 | 1 | 722-2500-00 | Steering Wheel Large UTV |
| 3 | 1 | 722-2502-00 | Steering Wheel Cap-Hurricane |
| 4 | 1 | 735-2005-00 | Tilt Steering Gas Spring |
| 5 | 1 | 745-2001-00 | Shift Lever Knob 800cc |
| 6 | 31 | 613-5041-00 | 3/8-16 Nylon Insert Locknut |
| 7 | 12 | 613-8049-00 | 5/16-18 Nylon Insert Flange Nut Zinc Orange Nylon |
| 8 | 4 | 618-2069-00 | 3/8" - 16 X 2-1/2" Hex Hd Cap Screw |
| 9 | 4 | 618-6049-00 | 3/8-16 X 1 GR 5 Hex Bolts Zinc |
| 10 | 2 | 619-0012-00 | 3/8 ID x 1/8 Plastic Washer |
| 11 | 2 | 618-1077-00 | 5/16 x 1-1/4 G8 Zn Hex Bolt |
| 12 | 1 | 799-1002-00 | 1/4-28, Right Hand Thread Heim |
| 13 | 3 | 613-8073-00 | 1/4-20 Nylon Insert Locknut Zinc Orange Nylon |
| 14 | 1 | 618-4007-00 | 1/4-20 x 1 Grade 5 Hex bolts Zinc |
| 15 | 1 | 764-2015-00 | Gear Shift Cable-800cc Classic |
| 16 | 1 | 720-4060-00 | Steering Column Bearing |
| 17 | 1 | 618-5049-00 | 1/2-13 x 2 GR5 Hex Bolt Zinc |
| 18 | 1 | 613-6037-00 | 1/2-13 Nylon Insert Locknut |
| 19 | 4 | 786-0005-00 | 12 Volt Cube Relay |
| 20 | 1 | 613-6051-00 | 3/8-24 Hex Nut Zinc |
| 21 | 1 | 735-2001-00 | 800cc Shifter Spring |
| 22 | 4 | 732-2003-00 | Bushing, Oil Impregnated |
| 23 | 1 | 769-3002-00 | 800cc Shift Lever Assy |
| 24 | 1 | 769-3001-00 | 800cc Transmission Shift Lever Assy |
| 25 | 1 | 739-4521-00 | 800cc Dash Shifter Indicator Plate Mounting Brkt |
| 26 | 3 | 618-2037-50 | 1/4-20 X1 Button Socket C/S Black |
| 27 | 3 | 613-0054-00 | 1/4-20 Cage Nut |
| 28 | 3 | 613-8047-00 | 5/16-18 Nylock HEX Nut |
| 29 | 1 | 726-4100-00 | 800 cc Dash indicator Plastic Plate |
| 30 | 1 | 726-4101-60 | 800cc Dash Shifter Metal Brkt |
| 31 | 3 | 618-8063-00 | 5/16-18 x 3/4 GR 5 Hex bolt Zinc |
| 32 | 1 | 786-2026-00 | Power Steering |
| 33 | 1 | 739-4478-00 | Power Steering Brkt |
| 34 | 4 | 618-2019-00 | 5/16" - 18 X 2-1/2" Carriage Bolt |
| 35 | 6 | 619-0057-50 | 3/8 Flat Washer Black Zinc |
| 36 | 1 | 731-1200-00 | Steering Column Assy- Large UTV |
| 37 | 1 | 739-3364-00 | Upper Shift Cable Bracket |

Plastics Assembly

DETAIL B

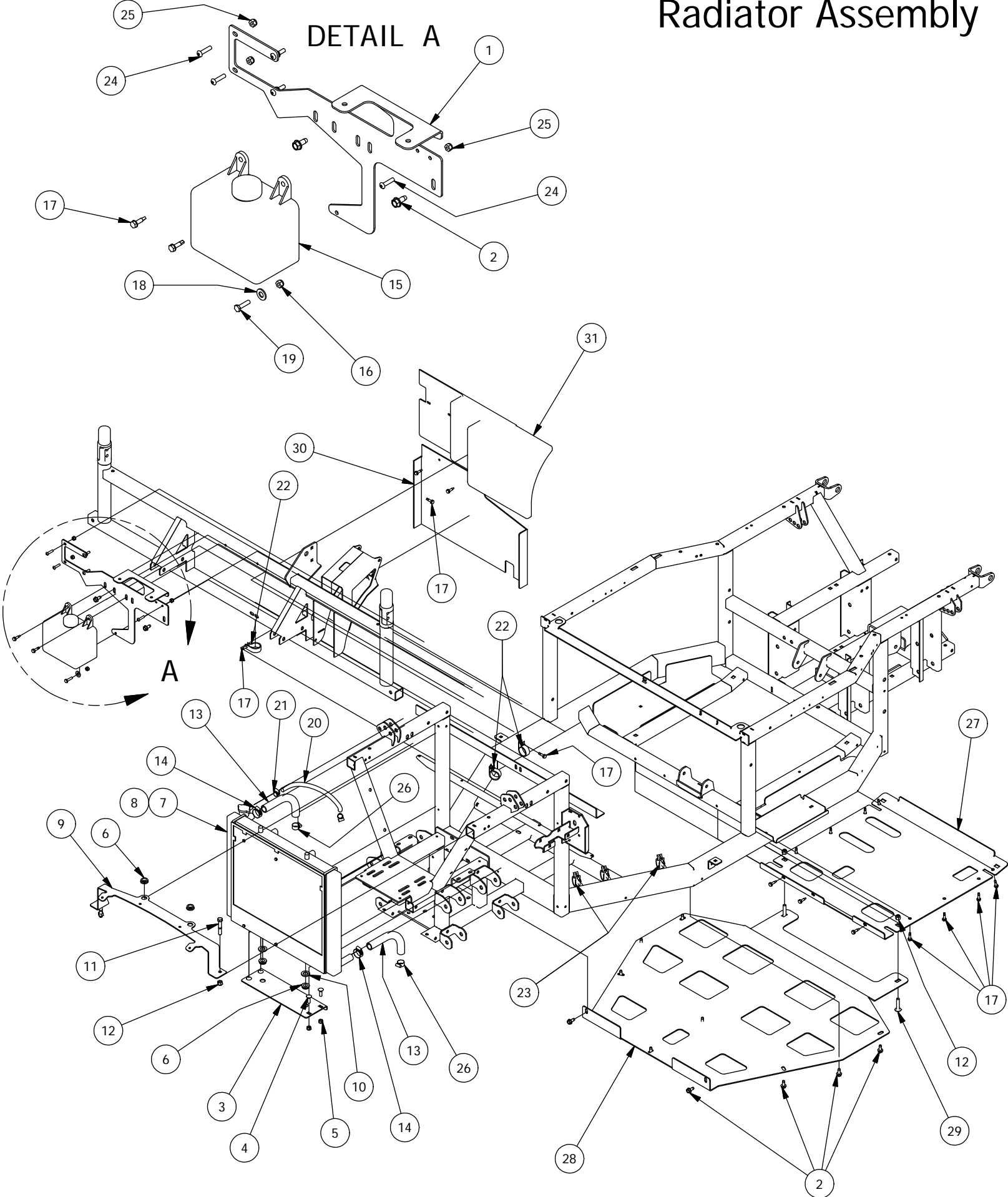


DETAIL A



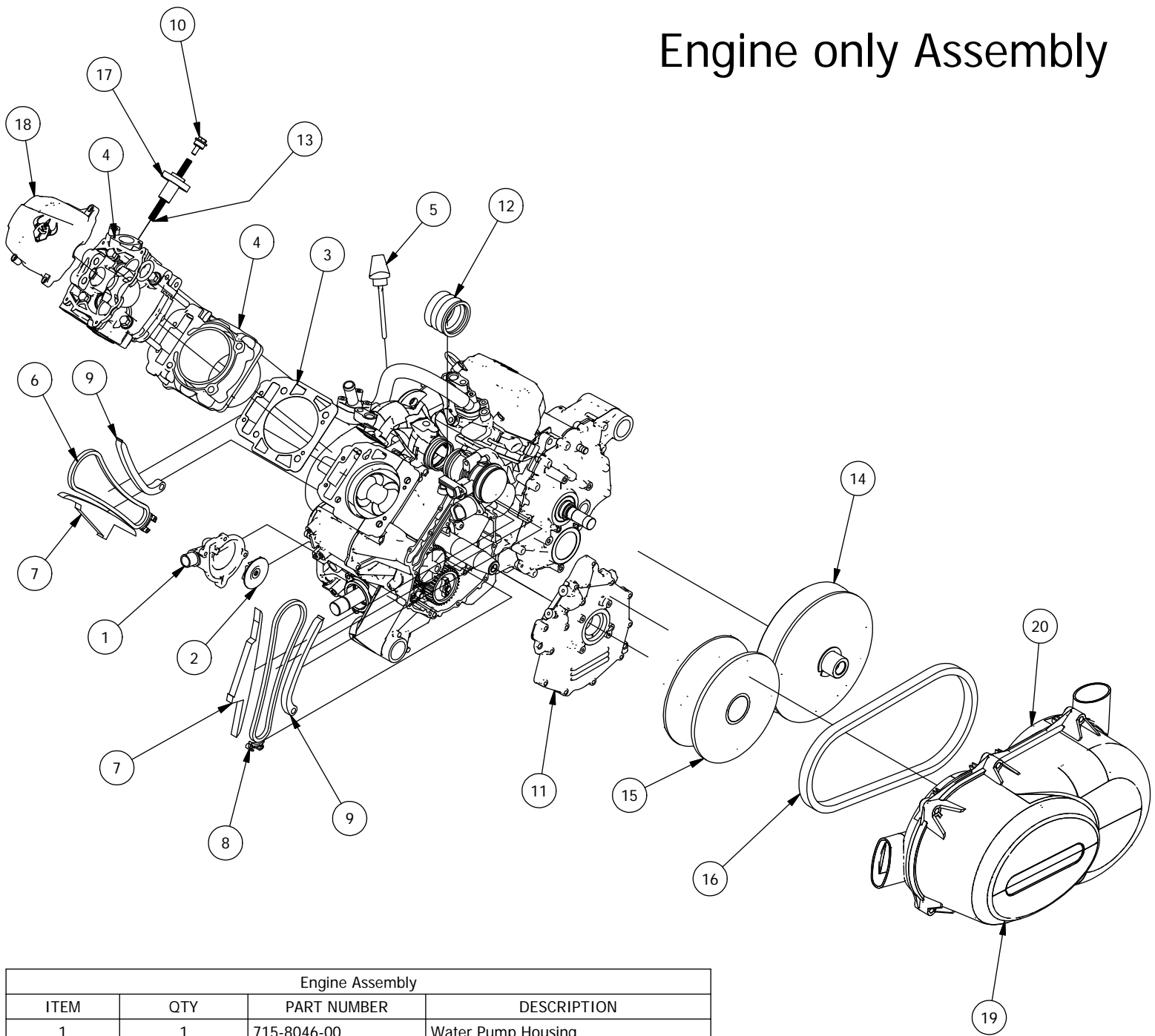
| Plastics Assembly | | | |
|-------------------|-----|-------------|---|
| ITEM | QTY | PART NUMBER | DESCRIPTION |
| 1 | 2 | 613-5041-00 | 3/8-16 Nylon Insert Locknut |
| 2 | 2 | 618-2069-00 | 3/8" - 16 X 2-1/2" Hex Hd Cap Screw |
| 3 | 27 | 613-8073-50 | 1/4-20 Nylon Insert Locknut BL |
| 4 | 23 | 618-2037-50 | 1/4-20 X1 Button Socket C/S Black |
| 5 | 2 | 618-2021-00 | 5/16" - 18 3/4" Ind Hex Washr Hd - Type F |
| 6 | 1 | 739-3374-00 | Upper Radiator Mounting Brkt |
| 7 | 1 | 780-2011-10 | Upper Front Fender Flare-Left |
| 8 | 1 | 780-2010-10 | Front Firewall-Large UTV-Black |
| 9 | 1 | 780-2020-00 | Center Seat Panel-Large UTV-Or |
| 10 | 2 | 759-2000-00 | Hood Large UTV-Orange |
| 11 | 1 | 780-2012-10 | Upper Front Fender Flare-Right |
| 12 | 1 | 780-2030-10 | Seat Panel Left-Large UTV-Blk |
| 13 | 1 | 780-2025-10 | Seat Panel Right-Large UTV-Blk |
| 14 | 1 | 780-2050-10 | Lower Front Fender Flare-Right |
| 15 | 1 | 780-2055-10 | Lower Front Fender Flare-Left |
| 16 | 9 | 618-4007-00 | 1/4-20 x 1 Grade 5 Hex bolts Zinc |
| 17 | 1 | 777-1000-00 | Ignition Switch |
| 18 | 1 | 677-2075-00 | 12 Volt Auxilliary Plug |
| 19 | 1 | 780-2015-10 | Floor Board-Large UTV-Black |
| 20 | 1 | 786-2034-00 | Head Light Hi/off/Low Beam Sw. |
| 21 | 1 | 786-2038-00 | 4WD Switch |
| 22 | 26 | 619-0010-50 | 1/4 Flat Washer Black |
| 23 | 2 | 653-5010-00 | Hood Hinge |
| 24 | 8 | 630-2050-00 | M5-.8 x 10 Pan Phil M/S Zinc |
| 25 | 1 | 786-2030-00 | Differential Lock Switch |
| 26 | 1 | 726-3242-60 | Firewall Mount Brkt |
| 27 | 6 | 729-1002-00 | Buttom Bumper-Tailgate-2500 |
| 28 | 1 | 786-2036-00 | Dump Bed Up/Down Switch |
| 29 | 15 | 618-2038-50 | 1/4-20 X1-1/2" BH Socket Scr Blk |
| 30 | 15 | 619-0023-00 | 5/16 flat Washer 18-8 SS |
| 31 | 30 | 618-6065-00 | AUEVCO P/N 17216 HOLE PLUG BLACK |
| 32 | 29 | 630-7040-00 | 1/4 x 1 Hex Head Tek Screw |
| 33 | 2 | 729-1006-00 | Seat Pin Frame Guard-3x3.125" |
| 34 | 1 | 736-2002-00 | Break Pedal Boot-Lg UTV |
| 35 | 1 | 736-2000-00 | Shift Lever Boot-Large UTV |
| 36 | 1 | 789-0001-00 | Kohler 750 CVT Cover Instualton |
| 37 | 4 | 714-1004-00 | 1-1/4"x1-1/4" Black Tube Plug |
| 38 | 1 | 793-3212-00 | Hitch Pin |
| 39 | 1 | 770-3322-00 | 800cc Single Cab Main Frame Assembly |
| 40 | 9 | 613-8073-00 | 1/4-20 Nylon Insert Locknut Zinc Orange Nylon |
| 41 | 5 | 613-9001-00 | 1/4-20 Hex Flange Nuts Zinc W/Serrations |
| 42 | 1 | 739-2057-00 | Upper Hood Support Brkt-Diesel-Weber |
| 43 | 1 | 786-2018-00 | 800cc Classic Wiring Harness |
| 44 | 1 | 780-2020-20 | Center Seat Panel-Large UTV-Gr |
| 45 | 1 | 780-2020-30 | Center Seat Panel-2500-Camo |
| 46 | 1 | 780-2020-40 | Center Seat Panel-2500-Charo |
| 47 | 1 | 759-2000-20 | Hood Large UTV-Gr |
| 48 | 1 | 759-2000-30 | Hood Large UTV- Camo |
| 49 | 1 | 759-2000-40 | Hood Large UTV-Blk |
| 50 | 1 | 780-2077-10 | Intimidator Left Inner Fender |
| 51 | 1 | 780-2078-10 | Intimidator Right Inner Fender |
| 52 | 1 | 752-1015-00 | Glove Box Latch Assembly |
| 53 | 1 | 780-2120-10 | 2018 Front Grill |
| 54 | 9 | 618-8056-00 | 10-24 x 1/2 Button Socket C/S 18-8 SS |
| 55 | 9 | 613-5019-00 | 10-24 Nylon Insert Locknut |
| 56 | 9 | 618-8064-50 | 1/4-20 x 5/8 Button Socket C/S |
| 57 | 1 | 780-2228-10 | Small Display Dash |
| 58 | 1 | 786-2039-00 | 3"x4" Display |
| 59 | 1 | 726-3303-00 | Intimidator 2018 Grill Logo |
| 60 | 1 | 726-3301-00 | Intimidator 2018 Grill Plate |

Radiator Assembly



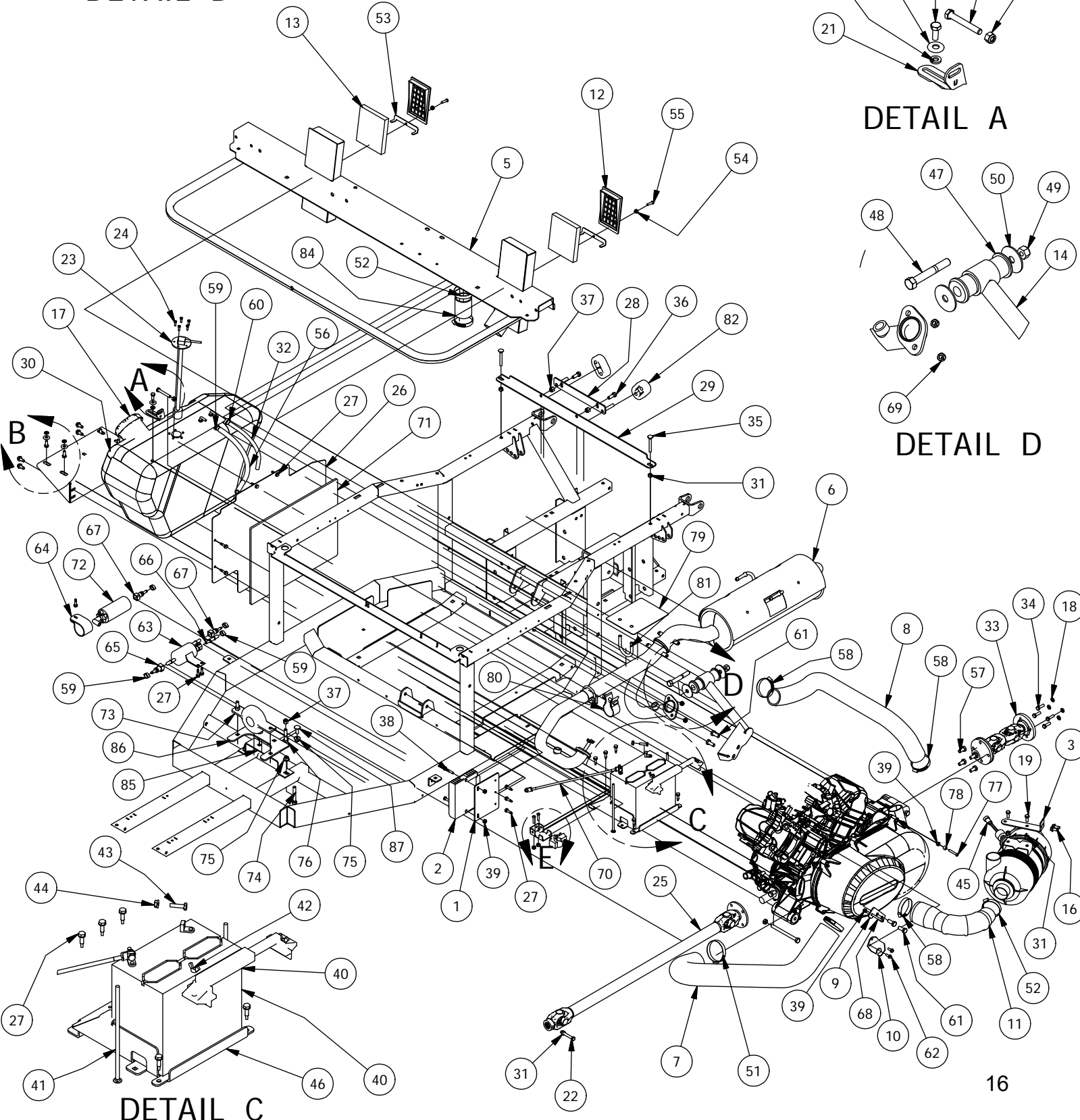
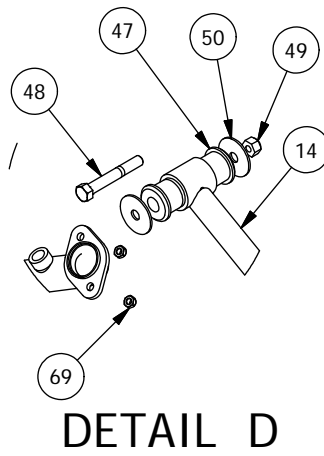
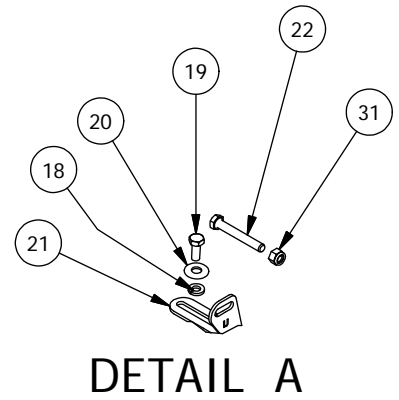
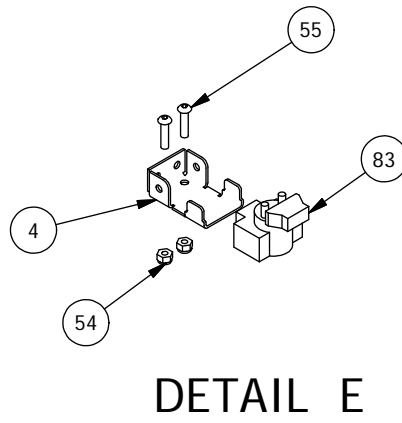
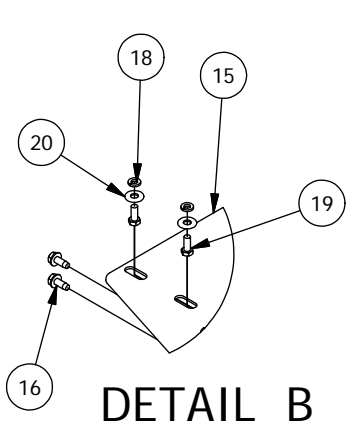
| Parts List | | | |
|------------|-----|-------------|---|
| ITEM | QTY | PART NUMBER | DESCRIPTION |
| 1 | 1 | 739-2057-00 | Upper Hood Support Brkt-Diesel-Weber |
| 2 | 12 | 618-2021-00 | 5/16" - 18 3/4" Ind Hex Washr Hd - Type F |
| 3 | 1 | 739-3337-00 | Lower Radiator Mounting Brkt |
| 4 | 4 | 618-8065-00 | 5/16-18 x 1 Carriage Bolt |
| 5 | 4 | 613-8047-00 | 5/16-18 Nylock HEX Nut |
| 6 | 4 | 719-5000-00 | Radiator Grommets |
| 7 | 1 | 761-2006-00 | RadiatorAssy-Large MTV |
| 8 | 1 | 786-2069-00 | 800cc Fan / Over Temperature Switch, Includes Contacts and Boot (M22 THREADS) |
| 9 | 1 | 739-3374-00 | Upper Radiator Mounting Brkt |
| 10 | 2 | 619-6017-00 | .635ID Plastic Washer |
| 11 | 2 | 618-2022-00 | 3/8" - 16 X 2-1/4" Hex Bolt |
| 12 | 4 | 613-5041-00 | 3/8-16 Nylon Insert Locknut |
| 13 | 2 | 751-3015-00 | Coolant Hose 3/4" ID |
| 14 | 2 | 772-2017-00 | ABA 22-32mm x 12mm Wide Hose Clamp |
| 15 | 1 | 767-2006-00 | Radiator Overflow Bottle-2500 |
| 16 | 1 | 613-8073-00 | 1/4-20 Nylon Insert Locknut Zinc Orange Nylon |
| 17 | 23 | 630-7040-00 | 1/4 x 1 Hex Head Tek Screw |
| 18 | 1 | 619-0057-50 | 3/8 Flat Washer Black Zinc |
| 19 | 1 | 618-4007-00 | 1/4-20 x 1 Grade 5 Hex bolts Zinc |
| 20 | 1 | 751-1013-00 | 5/16" Hose - High Temp |
| 21 | 2 | 672-8067-00 | Hose Clamp No. 4 - 7/32 - 5/8 |
| 22 | 3 | 772-2012-00 | 1-3/8 inch Loop Clamp |
| 23 | 3 | 672-9000-00 | 1/2 EPDM Cushion Clamp |
| 24 | 6 | 618-2037-50 | 1/4-20 X1 Button Socket C/S Black |
| 25 | 6 | 613-8073-50 | 1/4-20 Nylon Insert Locknut BL |
| 26 | 2 | 772-2026-00 | 15-24mm Screw Clamp |
| 27 | 1 | 726-3255-00 | 800cc Engine Skid Plate |
| 28 | 1 | 726-3258-00 | 800cc Classic Front Skid Plate |
| 29 | 2 | 618-2048-00 | 3/8" -16 x 1-3/4" G8 Carriage Bolt |
| 30 | 1 | 780-2222-00 | Dashboard Lower Heat Shield PWR Steering |
| 31 | 1 | 780-2221-00 | Dashboard Upper Heat Shield PWR Steering |

Engine only Assembly



| Engine Assembly | | | |
|-----------------|-----|-------------|-----------------------------------|
| ITEM | QTY | PART NUMBER | DESCRIPTION |
| 1 | 1 | 715-8046-00 | Water Pump Housing |
| 2 | 1 | 715-8045-00 | Impeller-Water |
| 3 | 2 | 715-8047-00 | Gasket Paper |
| 4 | 1 | 715-8001-00 | Cylinder Front |
| 5 | 1 | 715-8035-00 | Oil Dipstick |
| 6 | 2 | 715-8005-00 | Silent Chain 6.35Px112 |
| 7 | 2 | 715-8003-00 | Chain Guide |
| 8 | 2 | 715-8004-00 | Chain Guide |
| 9 | 2 | 715-8002-00 | Chain Tension Guide |
| 10 | 2 | 715-8007-00 | Chain Tensioner Plunger |
| 11 | 1 | 715-8020-00 | PTO Cover |
| 12 | 1 | 751-3013-00 | 800cc Engine Intake Manifold Hose |
| 13 | 2 | 715-8008-00 | Spring |
| 14 | 1 | 715-8049-00 | Driving Wheel |
| 15 | 1 | 715-8048-00 | Driving Wheel |
| 16 | 1 | 715-8050-00 | VBelt |
| 17 | 2 | 715-8006-00 | Chain Tensioner Housing |
| 18 | 2 | 715-8065-00 | Valve Cover |
| 19 | 1 | 715-8193-00 | Variator Cover |
| 20 | 1 | 715-8212-00 | CVT Air Guide |

Engine in Frame Assembly

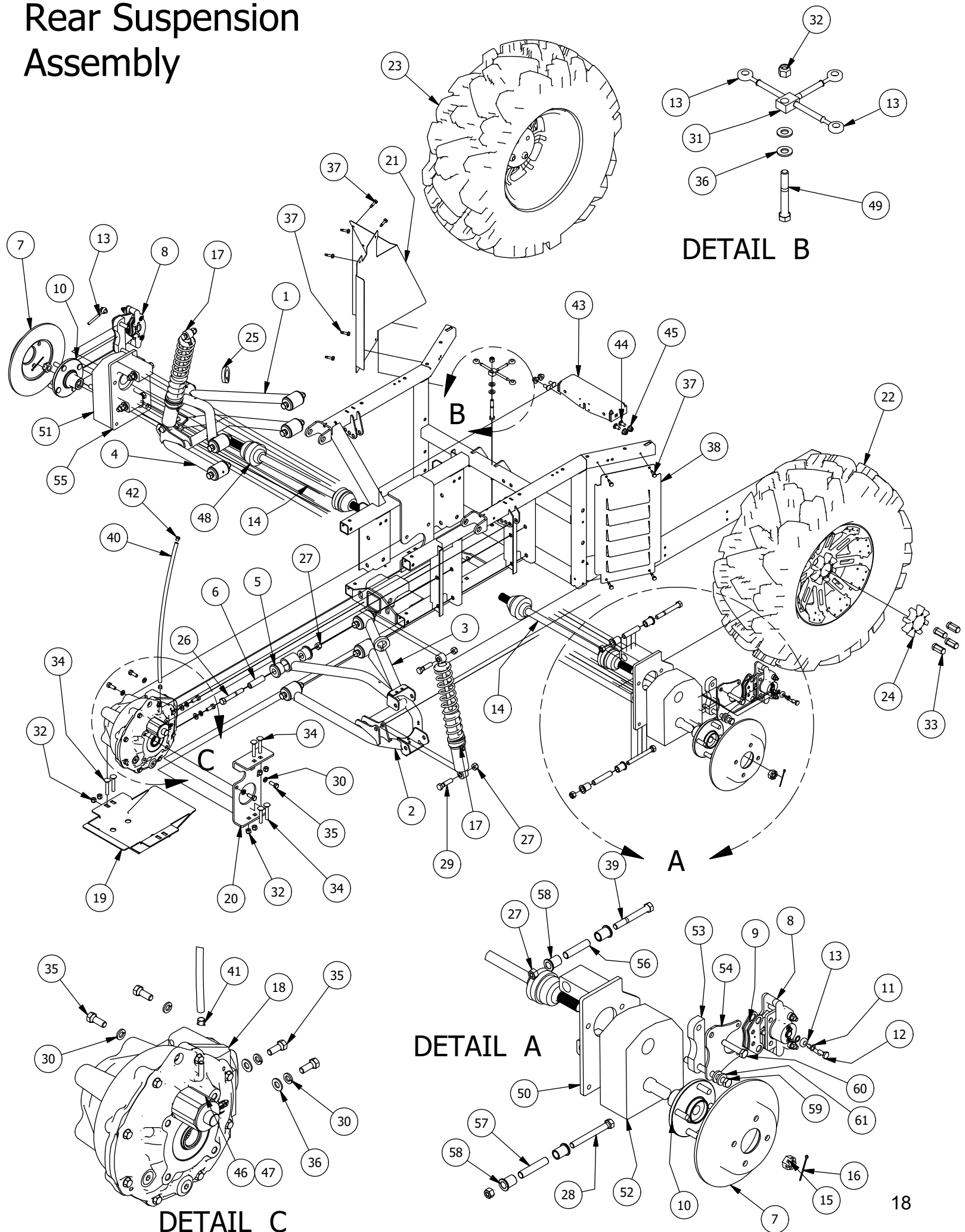


DETAIL C

Parts List

| ITEM | QTY | PART NUMBER | DESCRIPTION |
|------|-----|-------------|---|
| 1 | 1 | 739-3893-00 | 800cc Rectifire Module Bracket |
| 2 | 1 | 715-8200-00 | Voltage Regulator |
| 3 | 1 | 739-4512-00 | 800cc Air Filter Bracket |
| 4 | 1 | 739-4514-00 | 800cc Starter Relay Bracket |
| 5 | 1 | 770-3014-00 | Seat Frame Assy, 800cc |
| 6 | 1 | 715-3020-00 | Exhaust System Assembly, 800cc |
| 7 | 1 | 751-1028-00 | 800cc CVT Air Inlet Hose |
| 8 | 1 | 751-1029-00 | 800cc CVT Air Outlet Hose |
| 9 | 1 | 739-4516-00 | 800cc Coil Mount Bracket |
| 10 | 1 | 739-4510-00 | 800cc Shift Cable Bracket |
| 11 | 1 | 751-3014-00 | 800cc Engine Throttle Body Intake Hose |
| 12 | 2 | 780-2100-00 | CVT Plenum Bezel |
| 13 | 2 | 763-2100-00 | CVT Plenum Filter Media |
| 14 | 1 | 770-3339-00 | 800cc Upper Engine Mount Assembly |
| 15 | 1 | 739-2058-00 | Lower Fuel Tank Support Brkt |
| 16 | 6 | 618-2021-00 | 5/16" - 18 3/4" Ind Hex Washr Hd - Type F |
| 17 | 1 | 767-2002-00 | Fuel Tank Cap-Lg UTV-Gas |
| 18 | 9 | 619-8051-00 | 5/16 Lockwasher Zinc |
| 19 | 7 | 618-8063-00 | 5/16-18 x 3/4 GR 5 Hex bolt Zinc |
| 20 | 5 | 619-8044-00 | 5/16 USS Flat Washer Zinc |
| 21 | 1 | 739-2059-00 | Upper Fuel Tank Support Brkt |
| 22 | 3 | 618-2034-00 | 5/16" x 2-1/4" Hex Hd Cap Scr. |
| 23 | 1 | 786-2004-00 | Fuel Sender |
| 24 | 5 | 618-2105-00 | 10-32 x 5/8" Indented hex Head machine Screw |
| 25 | 1 | 737-2036-00 | Front Drive Shaft 800cc Single Cab |
| 26 | 1 | 726-3400-00 | Gas Tank Heat Shield Classic & Cew |
| 27 | 17 | 630-7040-00 | 1/4 x 1 Hex Head Tek Screw |
| 28 | 1 | 770-3340-00 | 800cc Muffler Mounting Bracket Assembly |
| 29 | 1 | 739-4520-00 | 800 cc Muffler Frame Bracket |
| 30 | 1 | 767-2000-00 | Gas Tank, Weber/800CC Engine |
| 31 | 7 | 613-8047-00 | 5/16-18 Nylock HEX Nut |
| 32 | 1 | 751-1017-00 | 1/4 Fuel Line - Low Perm |
| 33 | 1 | 737-2038-00 | Rear Drive shaft 800cc |
| 34 | 4 | 618-1080-00 | 5/16-18 x 1" GR 8 Hex bolt |
| 35 | 2 | 618-2019-00 | 5/16" - 18 X 2-1/2" Carriage Bolt |
| 36 | 2 | 618-6049-00 | 3/8-16 X 1 GR 5 Hex Bolts Zinc |
| 37 | 8 | 613-5041-00 | 3/8-16 Nylon Insert Locknut |
| 38 | 2 | 618-5005-00 | 1/4-20 x 1-1/2 Grade 5 Hex bolts Zinc |
| 39 | 4 | 613-8073-00 | 1/4-20 Nylon Insert Locknut Zinc Orange Nylon |
| 40 | 1 | 768-1000-00 | 12 Volt Battery |
| 41 | 2 | 618-1084-00 | 1/4-20 x 8 Carriage Bolt Zinc |
| 42 | 2 | 613-2005-00 | 1/4-20 Wing Nut Zinc |
| 43 | 2 | 618-4007-00 | 1/4-20 x 1 Grade 5 Hex bolts Zinc |
| 44 | 2 | 613-9001-00 | 1/4-20 Hex Flange Nuts Zinc W/Serrations |
| 45 | 1 | 763-3006-00 | Filter Restriction Switch |
| 46 | 1 | 739-3434-00 | 800cc UTV Battery Box |
| 47 | 2 | 732-2000-00 | Large MTV A-Arm Bushing |
| 48 | 1 | 618-2006-00 | 1/2" - 13X3-1/2" Hex Bolt Gr 5 |
| 49 | 1 | 613-6037-00 | 1/2-13 Nylon Insert Locknut |
| 50 | 2 | 619-0060-00 | 1/2 Washer Zinc |
| 51 | 2 | 772-2025-00 | 1-15/16 to 2 - 1/2 Hose Clamp |
| 52 | 3 | 672-9052-00 | 1-15/16 to 2 - 1/2 Hose Clamp |
| 53 | 2 | 739-3420-00 | CVT Enclosure Bracket |
| 54 | 4 | 613-8073-50 | 1/4-20 Nylon Insert Locknut BL |
| 55 | 4 | 618-2037-50 | 1/4-20 X1 Button Socket C/S Black |
| 56 | 1 | 751-1019-00 | 3/8" ID Hose |
| 57 | 8 | 618-2099-00 | M10 x 1.25 x 20mm Hex Cap Bolt |
| 58 | 3 | 772-2023-00 | 58 mm - 75 mm x 12 mm ABA 1075 Clamp |
| 59 | 5 | 772-2021-00 | 12.5mm - 15mm Two Ear Clamp |
| 60 | 1 | 772-2022-00 | 15mm-18mm Two Ear Clamp |
| 61 | 4 | 618-2100-00 | M10 x 1.5 x 25MM tap bolt |
| 62 | 2 | 618-2065-00 | M6 x 1.0 x 16 Flange Hex Bolt |
| 63 | 1 | 715-4001-00 | Fuel Filter/Regulator |
| 64 | 1 | 772-2027-00 | 800cc Fuel Pump Mount |
| 65 | 1 | 773-0001-00 | 3/8" Female Fuel line Quick Disconnect |
| 66 | 1 | 773-0002-00 | 3/8" Male Fuel Line Quick Disconnect |
| 67 | 2 | 773-0003-00 | 5/16" Female Fuel Line Quick Disconnect |
| 68 | 1 | 618-1055-50 | 1/4-20 x 3 Button C/S Black |
| 69 | 4 | 613-8051-00 | M8-1.25 Hex Toplock Nut-Zinc |
| 70 | 1 | 664-0025-00 | 39" Battery Cable 2 Gauge |
| 71 | 1 | 789-0001-00 | Fuel Tank Heat Shield Insulation |
| 72 | 1 | 750-1002-00 | Electric Fuel Pump, Weber/800CC ENGINE |
| 73 | 2 | 720-4065-00 | Pillow Block Bearing 800cc Single Cab |
| 74 | 2 | 618-2069-00 | 3/8" - 16 X 2-1/2" Hex Hd Cap Screw |
| 75 | 4 | 613-5202-00 | 3/8-16 Nylock Flange Nut |
| 76 | 4 | 618-6050-00 | 3/8-16 x 1-3/4 Hex Bolt Zinc |
| 77 | 1 | 618-2038-50 | 1/4-20 X1-1/2" BH Socket Scr Blk |
| 78 | 1 | 725-3211-00 | Spacer for shifter cable at transmission |
| 79 | 1 | 726-4510-00 | 800cc Exhaust Pipe Heat Shield |
| 80 | 1 | 715-3022-00 | Exhaust Pipe Band Clamp |
| 81 | 1 | 715-3023-00 | Exhaust Pipe Heat Shield Clamp |
| 82 | 2 | 787-3020-00 | Muffler Hanger 800 Engine |
| 83 | 1 | 715-4000-00 | Starter Solenoid, 800cc Engine |
| 84 | 1 | 736-2007-00 | Air Box to Frame Hose, 2-3/4"L x 2" ID |
| 85 | 1 | 739-4523-00 | 800cc Carrier Bearing Mounting Bracket |
| 86 | 1 | 739-4522-00 | 800cc Carrier Bering Bracket Classic |
| 87 | 2 | 618-2011-00 | 3/8 - 16 X 1" Carriage Bolt |

Rear Suspension Assembly



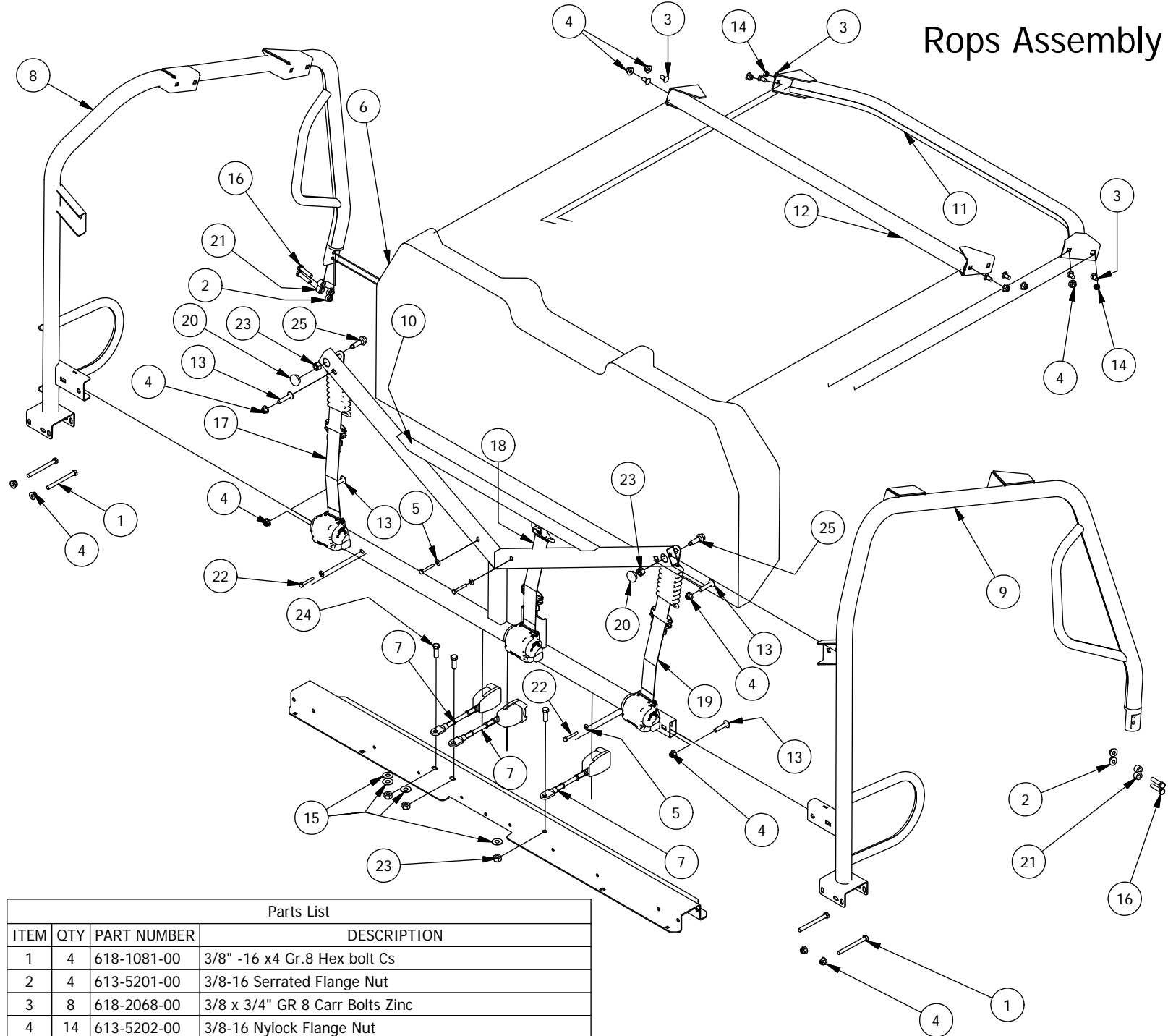
DETAIL B

DETAIL A

DETAIL C

| Parts List | | | |
|------------|-----|-------------|--------------------------------------|
| ITEM | QTY | PART NUMBER | DESCRIPTION |
| 1 | 1 | 787-3210-00 | Extended Left Rear Upper A-arm Assy |
| 2 | 1 | 787-3213-00 | Extended Right Rear Lower A-Arm Assy |
| 3 | 1 | 787-3211-00 | Extended Right Rear Upper A-arm assy |
| 4 | 1 | 787-3212-00 | Extended Left Rear Lower A-arm Assy |
| 5 | 16 | 732-2000-00 | Large MTV A-Arm Bushing |
| 6 | 8 | 732-2001-00 | Large MTV A-Arm Bushing Sleeve |
| 7 | 2 | 716-2000-00 | Rotor - Large UTV |
| 8 | 2 | 616-1051-00 | Hydraulic Caliper |
| 9 | 1 | 616-1056-00 | Break Pad Kit (2 pads per kit) |
| 10 | 2 | 786-2000-00 | Hub-Large UTV |
| 11 | 4 | 616-1025-00 | 10 mm copper crush washer |
| 12 | 2 | 616-1015-00 | Banjo Bolt M 10mm x 1.0 |
| 13 | 2 | 716-3006-00 | Brake Line Rear-Lg UTV |
| 14 | 2 | 737-2034-00 | Half-Shaft - Rear Large UTV |
| 15 | 2 | 765-1012-00 | Rear Hub Castle Nut |
| 16 | 2 | 765-1016-00 | Rear Hub Castle Nut Cotter Pin |
| 17 | 2 | 787-2014-00 | ELKA Shock Rear |
| 18 | 1 | 737-3005-00 | Rear Differential, Large MTV |
| 19 | 1 | 726-3257-00 | 800cc Rear Diff Skid Plate |
| 20 | 1 | 739-4511-00 | 800cc Rear Differential Bracket |
| 21 | 1 | 726-3229-00 | Left Rear Fender Well 800cc |
| 22 | 1 | 722-4121-00 | Right Wheel Assembly |
| 23 | 1 | 722-4120-00 | Left Wheel Assembly |
| 24 | 2 | 722-4005-00 | XD Sport Wheel Center Cap |
| 25 | 2 | 772-2050-00 | Break Line Anchor-1-1/4" |
| 26 | 8 | 618-2006-00 | 1/2" - 13X3-1/2" Hex Bolt Gr 5 |
| 27 | 16 | 613-6037-00 | 1/2-13 Nylon Insert Locknut |
| 28 | 2 | 618-2030-00 | 1/2" -13 x 4.5" Hex Cap Screw |
| 29 | 4 | 618-5049-00 | 1/2-13 x 2 GR5 Hex Bolt Zinc |
| 30 | 6 | 619-5037-00 | 3/8 Lockwasher Zinc |
| 31 | 1 | 716-3010-00 | Brake Line Tee-Rear-Lg UTV |
| 32 | 7 | 613-5041-00 | 3/8-16 Nylon Insert Locknut |
| 33 | 8 | 613-0001-00 | XD4 Lug Nut |
| 34 | 6 | 618-2023-00 | 3/8"-16 x 2-1/4" Carriage Bolt |
| 35 | 6 | 618-6049-00 | 3/8-16 X 1 GR 5 Hex Bolts Zinc |
| 36 | 4 | 619-0057-50 | 3/8 Flat Washer Black Zinc |
| 37 | 10 | 630-7040-00 | 1/4 x 1 Hex Head Tek Screw |
| 38 | 1 | 726-3260-00 | Right Lowered Rear Fender Well |
| 39 | 2 | 618-2003-00 | 1/2" -13 x 4" Hex Cap Screw Gr 5 |
| 40 | 1 | 751-1018-00 | 5/16 ID 7/16 OD Hose |
| 41 | 1 | 772-1001-00 | 5/16 Spring Hose Clamp |
| 42 | 1 | 724-1045-00 | Breather Plug Threaded |
| 43 | 1 | 739-3380-00 | Rear Diff Cage Top Brace |
| 44 | 4 | 618-2068-00 | 3/8 x 3/4" GR 8 Carr Bolts Zinc |
| 45 | 4 | 613-5202-00 | 3/8-16 Nylock Flange Nut |
| 46 | 1 | 737-3006-00 | Rear Diff Lock Solenoid |
| 47 | 1 | 737-3007-00 | Rear Diff Lock Solenoid Spring |
| 48 | 4 | 712-3222-00 | Half Shaft CV Boot Kit |
| 49 | 1 | 618-2078-00 | 3/8-16 x 2-3/4 Hex C/S GR2 Zinc |
| 50 | 1 | 737-3033-00 | Portal Passanger Side Mount Bracket |
| 51 | 1 | 737-3034-00 | Left Side Portal Box |
| 52 | 1 | 737-3035-00 | Right Side Portal Box |
| 53 | 2 | 725-3212-00 | Portal Brake Mounting Brkt Spacer |
| 54 | 2 | 739-3436-00 | Portal Brake Mounting Brkt |
| 55 | 1 | 737-3032-00 | Portal Drivers Side Mount Bracket |
| 56 | 2 | 725-3025-00 | IRS Upper Spacer |
| 57 | 2 | 725-3026-00 | IRS Lower Spacer |
| 58 | 8 | 710-2000-00 | Flange BUSHING-Large UTV |
| 59 | 2 | 618-1078-00 | 1/2-13 x 5 Hex C/S |
| 60 | 2 | 618-1079-00 | M12-1.75 X 60mm Hex C/S |
| 61 | 4 | 619-0062-00 | 1/2 F/W SAE (1-1/16" OD) ZC |

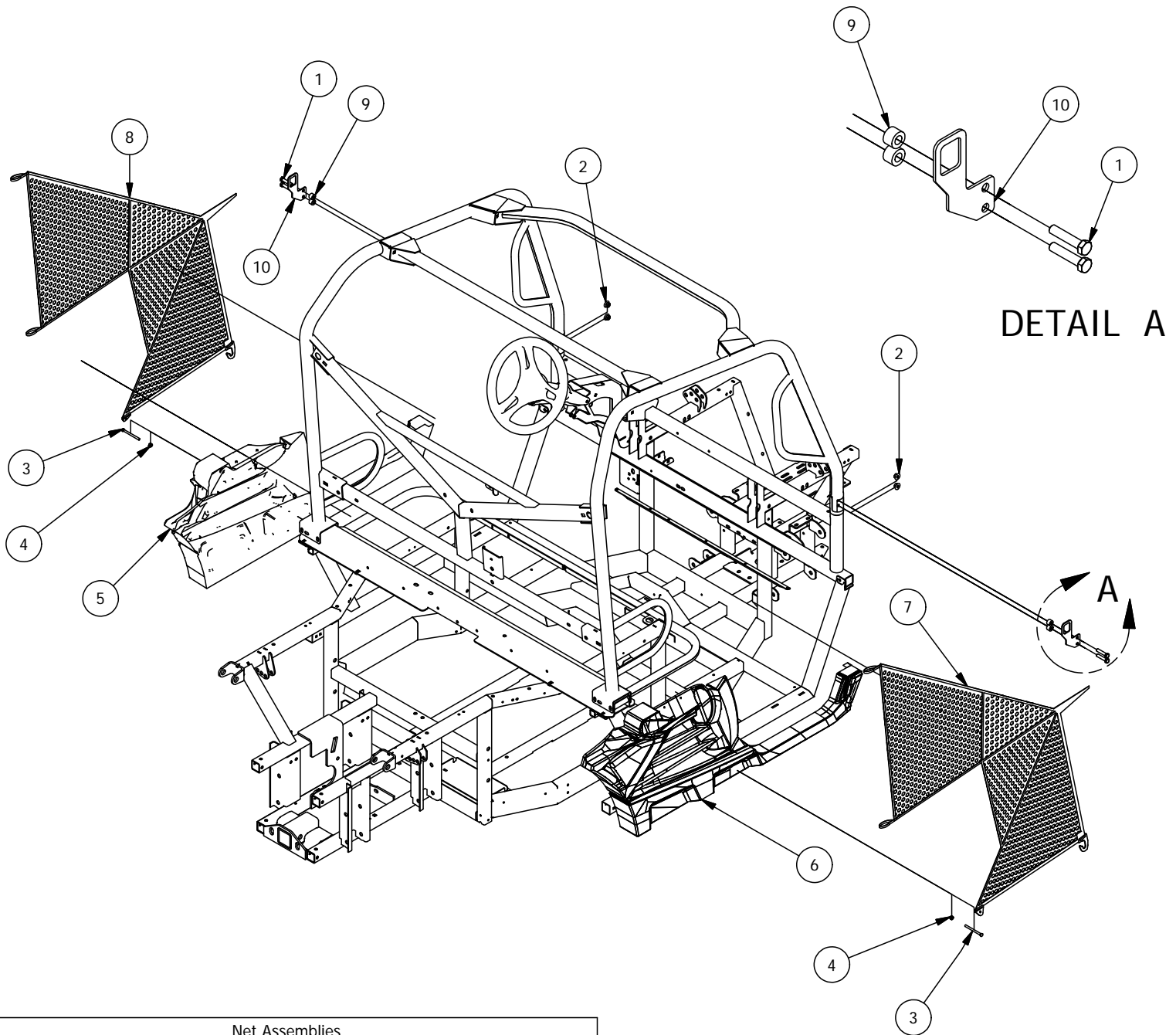
ROPS Assembly



Parts List

| ITEM | QTY | PART NUMBER | DESCRIPTION |
|------|-----|-------------|--|
| 1 | 4 | 618-1081-00 | 3/8" -16 x4 Gr.8 Hex bolt Cs |
| 2 | 4 | 613-5201-00 | 3/8-16 Serrated Flange Nut |
| 3 | 8 | 618-2068-00 | 3/8 x 3/4" GR 8 Carr Bolts Zinc |
| 4 | 14 | 613-5202-00 | 3/8-16 Nylock Flange Nut |
| 5 | 4 | 619-4008-00 | 1/4 Lock Washer Zinc |
| 6 | 1 | 771-2001-00 | Seat Back-Large UTV |
| 7 | 3 | 671-0030-00 | Seat Belt Latch |
| 8 | 1 | 780-3012-00 | ROPS Left Hoop Assy |
| 9 | 1 | 780-3004-00 | ROPS Right Hoop Assy |
| 10 | 1 | 780-3002-00 | ROPS K Brace Assy For Seat back w/ Integral Headrest |
| 11 | 1 | 780-3008-00 | ROPS Front Cross Brace Assy |
| 12 | 1 | 780-3010-00 | ROPS Rear Cross Brace Assy |
| 13 | 4 | 618-2048-00 | 3/8" -16 x 1-3/4" G8 Carriage Bolt |
| 14 | 2 | 613-2004-00 | 3/8"-16 Nyloc Jam Nut |
| 15 | 4 | 619-8052-00 | 7/16 USS Flat Washer Zinc |
| 16 | 4 | 618-2008-00 | 3/8"-16X1-3/4" Gr 8 C/S |
| 17 | 1 | 771-1017-00 | Seat Belt Assy-3 Point-Front Drivers Side |
| 18 | 1 | 771-1016-00 | Seat Belt Assy-3 Point-Center |
| 19 | 1 | 771-1015-00 | Seat Belt Assy-3 Point-Passengers Side |
| 20 | 2 | 618-6067-00 | Heyco 2713 Hole Plug |
| 21 | 4 | 725-4005-00 | Spacer, .75 O.D. x .400 I.D. x .500"L |
| 22 | 4 | 618-2016-50 | 1/4-20 x 1-3/4" Hex Bolt |
| 23 | 5 | 613-0026-00 | 7/16-20 Nylon Insert Locknut |
| 24 | 3 | 618-2097-00 | 7/16-20 x 1-1/4 GR5 Hex Cap Screw |
| 25 | 2 | 618-2096-00 | 7/16-20 x 1 3/8 GR5 Shoulder Bolt |

Safety Nets Assemblies

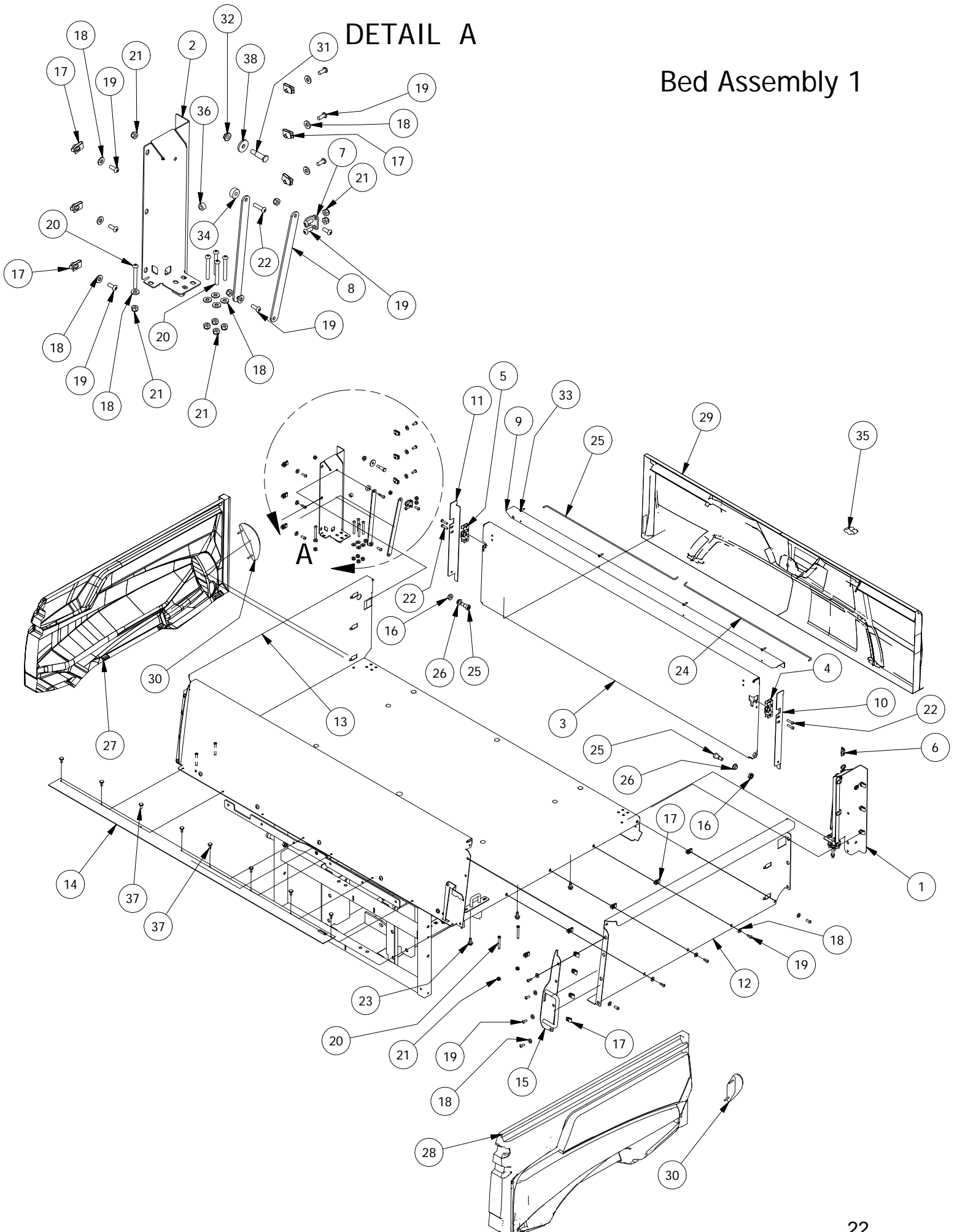


Net Assemblies

| ITEM | QTY | PART NUMBER | DESCRIPTION |
|------|-----|-------------|---|
| 1 | 4 | 618-2008-00 | 3/8"-16X1-3/4" Gr 8 C/S |
| 2 | 4 | 613-5201-00 | 3/8-16 Serrated Flange Nut |
| 3 | 2 | 618-1055-50 | 1/4-20 X3" (GRS) Carriage Bolt |
| 4 | 4 | 613-8073-50 | 1/4-20 Nylon Insert Locknut BL |
| 5 | 1 | 780-2030-10 | Seat Panel Left-Large UTV-Blk |
| 6 | 1 | 780-2025-10 | Seat Panel Right-Large UTV-Blk |
| 7 | 1 | 771-1011-00 | Side Net - Right Side |
| 8 | 1 | 771-1010-00 | Side Net - Left Side |
| 9 | 4 | 725-4005-00 | Spacer, .75 O.D. x .400 I.D. x .500"L |
| 10 | 2 | 739-4069-00 | Front side net female buckle Mounting Brkt 2017 |

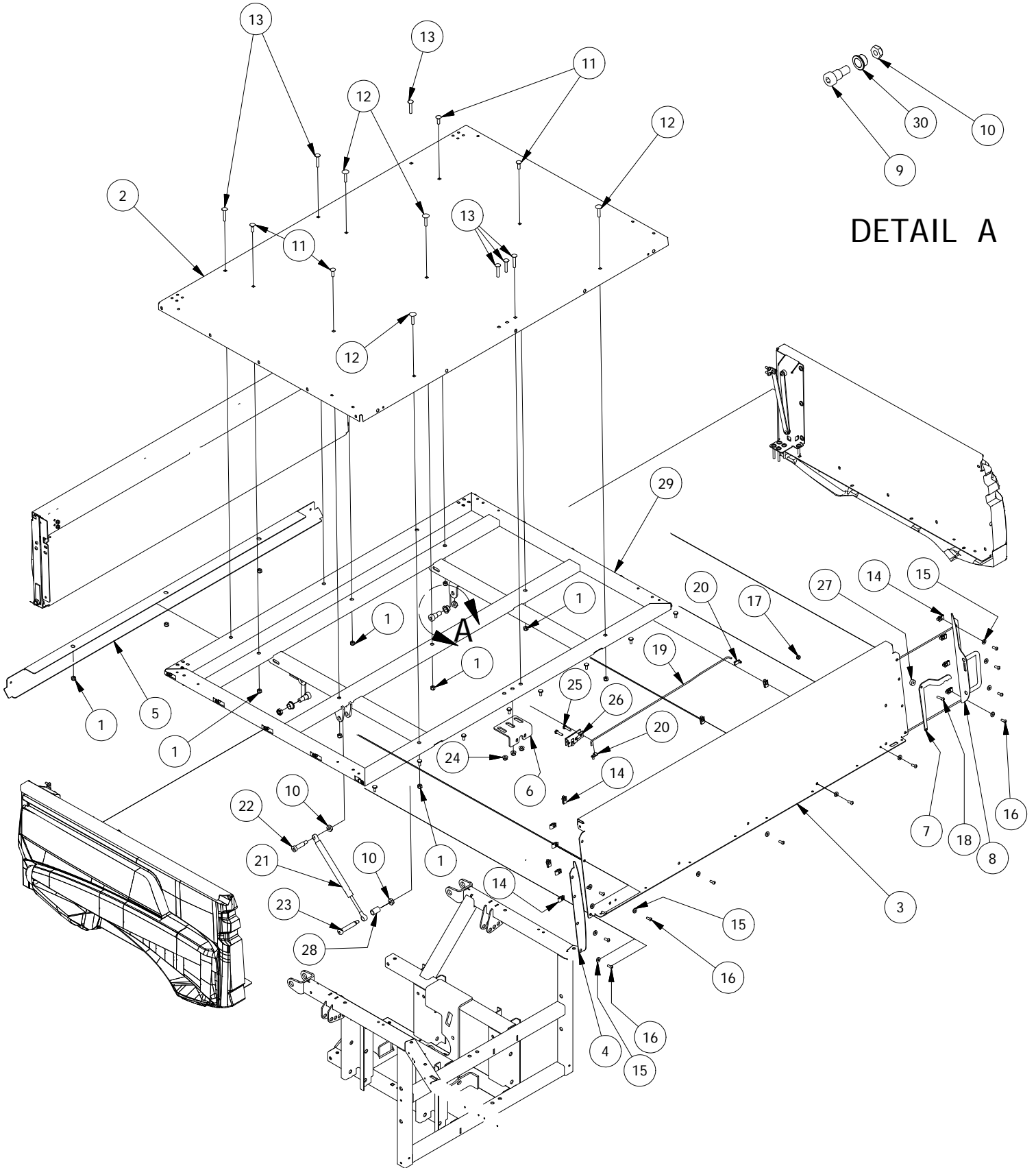
DETAIL A

Bed Assembly 1



| Bed Assembly 1 | | | |
|----------------|-----|-------------|---|
| ITEM | QTY | PART NUMBER | DESCRIPTION |
| 1 | 1 | 703-4008-10 | Bed Side Support-Left |
| 2 | 1 | 703-4006-10 | Bed Side Support-Right |
| 3 | 1 | 726-4008-10 | Standard Bed Tailgate |
| 4 | 1 | 752-1008-00 | Tailgate Rotary Latch-Left |
| 5 | 1 | 752-1010-00 | Tailgate Rotary Latch-Right |
| 6 | 1 | 739-4004-60 | Tailgate Support Bracket (Left) |
| 7 | 1 | 739-4002-60 | Tailgate Support Bracket (Right) |
| 8 | 4 | 739-4016-60 | Tailgate Support Arm-2500 |
| 9 | 1 | 703-4002-20 | Top Tailgate Guard |
| 10 | 1 | 703-4014-20 | Left TG Side Cover |
| 11 | 1 | 703-4012-20 | Right TG Side Cover |
| 12 | 1 | 726-4004-20 | Standard Bed Left Side |
| 13 | 1 | 726-4006-20 | Standard Bed Right Side |
| 14 | 1 | 712-3020-00 | Bed Dust Seal |
| 15 | 1 | 769-4002-00 | Dump Bed Handle Assy |
| 16 | 6 | 613-0040-00 | 1/2-13 Nylon Insert Jam Locknut |
| 17 | 34 | 613-0054-00 | 1/4-20 Cage Nut |
| 18 | 47 | 619-0010-50 | 1/4 Flat Washer Black |
| 19 | 43 | 618-8064-50 | 1/4-20 x 5/8 Button Socket C/S |
| 20 | 14 | 618-1060-50 | 1/4-20 X2" Button Hd Black |
| 21 | 25 | 613-8073-50 | 1/4-20 Nylon Insert Locknut BL |
| 22 | 7 | 618-2037-50 | 1/4-20 X1 Button Socket C/S Black |
| 23 | 6 | 618-2021-00 | 5/16" - 18 3/4" Ind Hex Washr Hd - Type F |
| 24 | 2 | 735-4000-00 | Tailgate Latch Push Rod Left |
| 25 | 2 | 618-6062-00 | 1/2" x 5/8" Soc. Shoulder Bolt |
| 26 | 2 | 632-5000-00 | 1/2 IDx 5/8 x 5/16 OIB Bushing |
| 27 | 1 | 780-2065-10 | Dump Bed Side-Right-Large UTV |
| 28 | 1 | 780-2070-10 | Dump Bed Side-Left-Large UTV |
| 29 | 1 | 780-2075-10 | Tailgate-Large UTV-Black |
| 30 | 2 | 786-0014-00 | Stop/Tail Light - Large UTV |
| 31 | 2 | 739-7000-00 | Basket Latch Striker Post |
| 32 | 2 | 613-0031-00 | Serrated Flange nut |
| 33 | 4 | 630-2030-50 | 10 x 3/4 Pan Philips Tek Screw |
| 34 | 3 | 725-4004-00 | Spacer, .261 IDx.740 ODx.315 L |
| 35 | 1 | 752-1006-00 | Dump Bed Tail gate Actuator |
| 36 | 2 | 729-1002-00 | Buttom Bumper-Tailgate-2500 |
| 37 | 8 | 618-2082-00 | Push Pin Rivet-Bed Seal |
| 38 | 2 | 619-4004-00 | Striker Post Fender Washer |

Bed Assembly 2



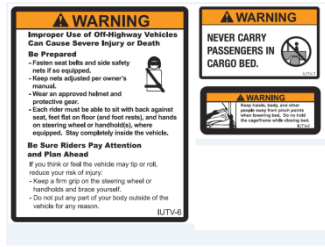
| Bed Assembly 2 | | | |
|----------------|-----|-------------|---|
| ITEM | QTY | PART NUMBER | DESCRIPTION |
| 1 | 11 | 613-8047-00 | 5/16-18 Nylock HEX Nut |
| 2 | 1 | 726-4000-10 | Standard Bed Bottom |
| 3 | 1 | 726-4002-10 | Standard Bed Front |
| 4 | 1 | 703-4009-10 | Right Bed Corner Cover |
| 5 | 1 | 703-4004-10 | Lower Bed Cover |
| 6 | 1 | 739-3406-00 | Rotary Latch Bracket-Bed |
| 7 | 1 | 769-4000-00 | Dump Bed Actuator Lever |
| 8 | 1 | 769-4002-00 | Dump Bed Handle Assy |
| 9 | 2 | 618-3001-00 | 5/8 x 5/8 Shoulder Bolt |
| 10 | 6 | 613-0040-00 | 1/2-13 Nylon Insert Jam Locknut |
| 11 | 4 | 618-8065-00 | 5/16-18 x 1 Carriage Bolt |
| 12 | 4 | 618-8060-00 | 5/16-16 x 1 1/2 Carriage Bolts |
| 13 | 6 | 618-4708-00 | 5/16-18 x 1-3/4 Carriage bolt |
| 14 | 34 | 613-0054-00 | 1/4-20 Cage Nut |
| 15 | 47 | 619-0010-50 | 1/4 Flat Washer Black |
| 16 | 43 | 618-8064-50 | 1/4-20 x 5/8 Button Socket C/S |
| 17 | 25 | 613-8073-50 | 1/4-20 Nylon Insert Locknut BL |
| 18 | 7 | 618-2037-50 | 1/4-20 X1 Button Socket C/S Black |
| 19 | 1 | 735-4004-00 | Dump Bed Latch Push Rod |
| 20 | 2 | 772-7000-00 | Latch Push Rod Retainer Clip |
| 21 | 1 | 735-2000-00 | Dump Bed Gas Spring-Large UTV |
| 22 | 1 | 618-2020-00 | 12"X1-1/2" Shoulder Bolt |
| 23 | 1 | 618-2047-00 | 1/2"x 2-1/2" Shoulder Bolt |
| 24 | 3 | 613-8049-00 | 5/16-18 Nylon Insert Flange Nut Zinc Orange Nylon |
| 25 | 2 | 618-4007-00 | 1/4-20 x 1 Grade 5 Hex bolts Zinc |
| 26 | 1 | 752-1004-00 | Dump Bed Rotary Latch |
| 27 | 3 | 725-4004-00 | Spacer, .261 IDx.740 ODx.315 L |
| 28 | 1 | 725-1011-00 | 11/16 x 1/2 x 5/8 Spacer |
| 29 | 1 | 770-3016-00 | Standard Bed Frame Assy |
| 30 | 2 | 632-5052-00 | .627 ID x .753 OD x .5 x 1 Bushing |

800cc Left
 791-2100-00 Orange
 791-2100-10 Gray
 791-2100-20 O.D. Green

800cc Right
 791-2101-00 Orange
 791-2101-10 Gray
 791-2101-20 O.D. Green



Decal Warning Cluster-2500
 791-2030-00

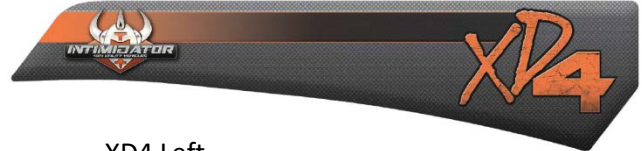
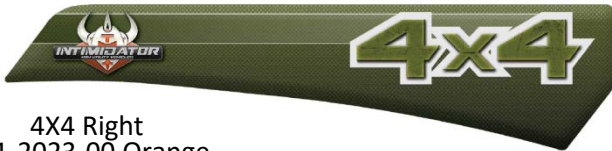


Load Rating Decal
 791-2034-00



4X4 Left
 791-2022-00 Orange
 791-2022-10 Gray
 791-2022-20 O.D. Green

XD4 Right
 791-2025-00 Orange
 791-2025-10 Gray
 791-2025-20 O.D. Green



4X4 Right
 791-2023-00 Orange
 791-2023-10 Gray
 791-2023-20 O.D. Green

XD4 Left
 791-2024-00 Orange
 791-2024-10 Gray
 791-2024-20 O.D. Green



Dash Intimidator
 791-2020-00 Orange
 791-2020-10 Gray
 791-2020-20 O.D. Green

Tailgate Intimidator
 791-2026-00 Orange
 791-2026-10 Gray
 791-2026-20 O.D. Green



Muffler Hot Warning Label
 791-1000-00



ROPS
 791-2096-00



Helmet Logo Decal
 491-2099-00



Camo 4x4 Decal
791-2097-00



Camo XD4 Decal
791-2098-00

Emissions Control Information


Manufacturer: Intimidator.

Engine Displacement: 799 cc
 Engine Family: HITDX.799INT
 UTV Permeation Family: HITDPP102BFB

This Vehicle conforms to EPA regulations applicable to 2017 model year new ATVs and is certified to EPA Standards 1.5g/km HC+Nox, 35g/km CO

Engine Exhaust Control System: TWC, HO2S, MFI
 Engine Tune Up Specs
 Ignition Timing: Non Adjustable CDI
 Certified to use Gasoline
 Minimum Unleaded Fuel Octane Rating: 87

Made in USA
 Date of Manufacture



4x4 Side-by-Side Utility Vehicles

EPA/CARB Label
791-2112-00

A WARNING

Improper Use of Off-Highway Vehicles Can Cause Severe Injury or Death

Be Prepared

- Fasten seat belts.
- Wear an approved helmet and protective gear.
- Fasten nets on all positions equipped with them.
- Each rider must be able to sit with back against seat, feet flat on floor [and foot rests], and hands on steering wheel or handhold[s] [where equipped]. Stay completely inside the vehicle.



Drive Responsibly
 Avoid loss of control and rollovers:

- Avoid abrupt maneuvers, sideways sliding, skidding, or fishtailing, and never do donuts.
- Slow down before entering a turn.
- Avoid hard acceleration when turning, even from a stop.
- Plan for hills, rough terrain, ruts, and other changes in traction and terrain. Avoid paved surfaces.
- Avoid side hilling (riding across slopes).



Rollovers have caused severe injuries and death, even on flat, open areas.

Be Sure Riders Pay Attention and Plan Ahead
 If you think or feel the vehicle may tip or roll, reduce your risk to injury:

- Keep a firm grip on the steering wheel or handholds and brace yourself.
- Do not put any part of your body outside of the vehicle for any reason.

Require Proper Use of Your Vehicle
 Do your part to prevent injuries:

- Do not allow careless or reckless driving.
- Make sure operators are 16 or older with a valid driver's license.
- Do not let people drive or ride after using alcohol or drugs.
- Do not allow operation on public roads (unless designated for off-highway vehicle access) - collisions with cars and trucks can occur.
- Do not exceed seating capacity of your vehicle.



**Locate and Read Owner's Manual;
 Follow All Instruction and Warnings**

**Training Courses To Teach ROV Operation Are Available,
 Check With Your Dealer.**


**Check with your dealer regarding state and local ROV Operation Laws.
 This Tag Is Only To Be Removed By The Owner After Purchase.**

General Warning Tag
791-2119-00

Intimidator 2017
 MODEL: 800 EH
 ENGINE: 799cc, Four Cycle
 ENGINE FAMILY: HITDX.799INT
 MODEL: Intimidator

The Exhaust Emissions of This Model, Compared To Other Models and US EPA Standards, Is:

This Model 4.0
 V



EPA/CARB Hang Tag
791-2114-00

Intimidator Inc. certifies that the ROV complies with the American National Standard for Recreational Off-highway Vehicles.

ANSI/RHOVA 1-2014

RHOVA Decal
791-2120-00