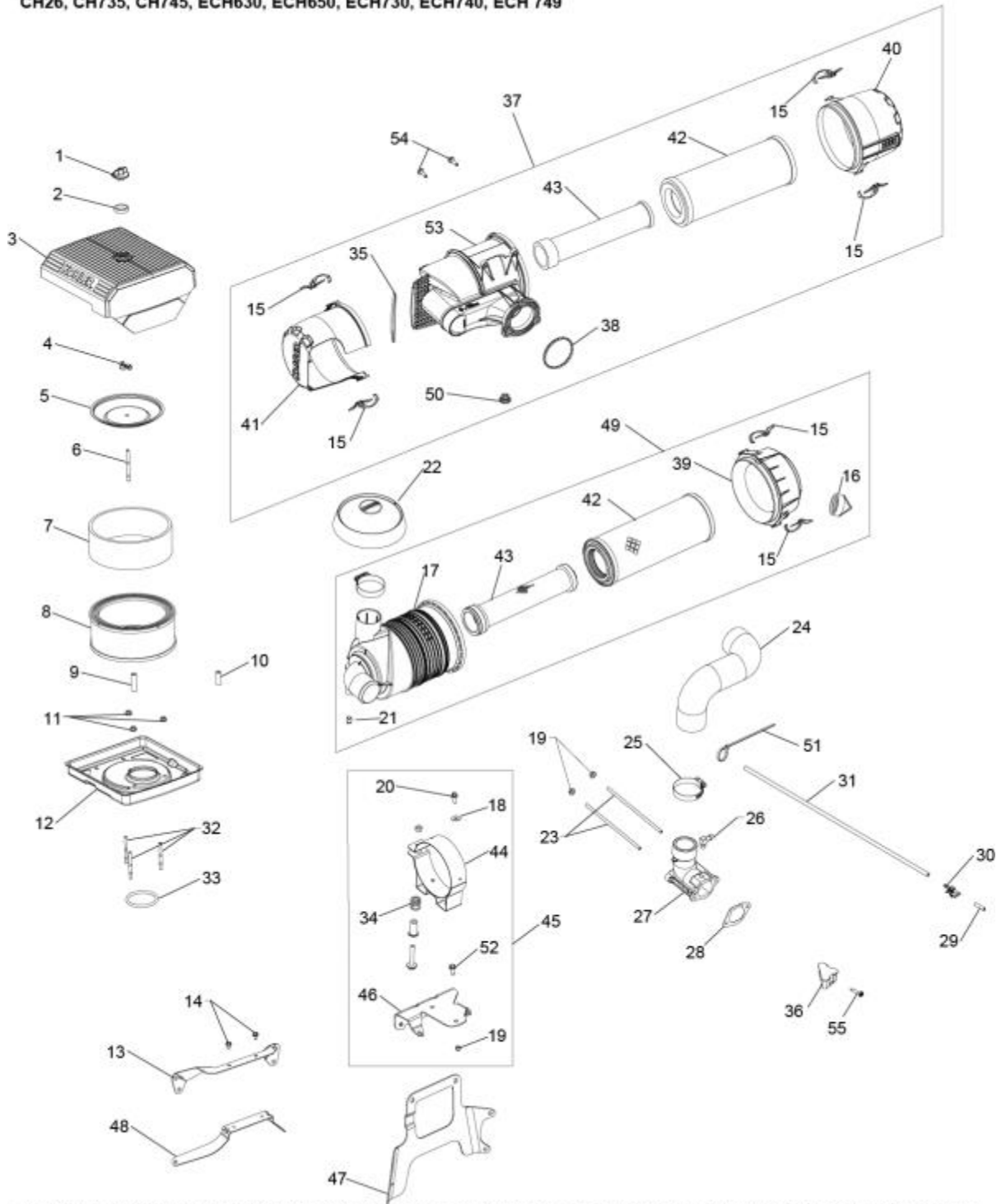


Accessories

Ref #	Part	Description	Qty
	24 041 49-S	GASKET, EXHAUST	2
	24 113 291-S	LABEL, ENGINE DISPLACEMENT ECH730	1
	25 100 52-S	NUT, HEX FLANGE LOCK (M8)	4
	25 418 07-S	SENSOR, OXYGEN (LESS CLIP)	1

AIR INTAKE GROUP
CH26, CH735, CH745, ECH630, ECH650, ECH730, ECH740, ECH 749

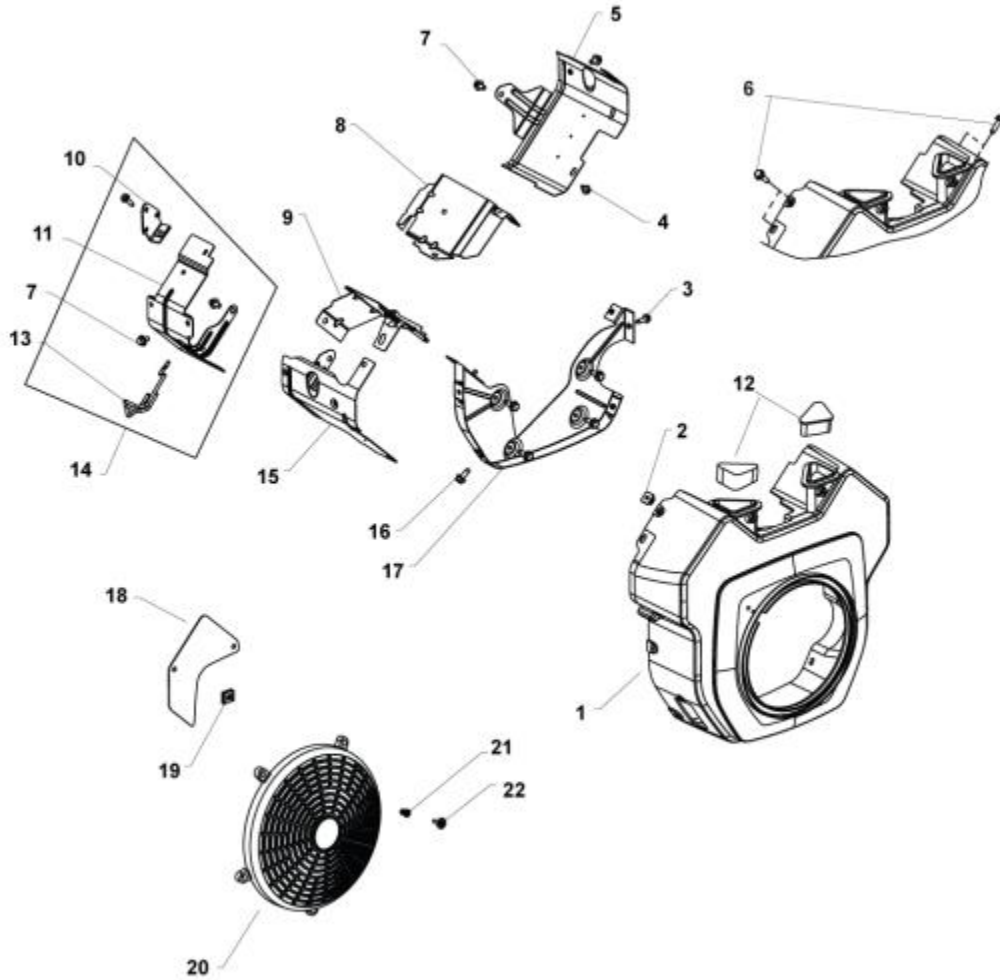


ILLUSTRATIONS ARE REPRESENTATIVE AND ARE NOT INTENDED TO SHOW ALL DETAILS FOR EACH COMPONENT

Air Intake Group 10-24-455

Ref #	Part	Description	Qty
33	25 153 08-S	O-RING, AIR CLEANER BASE	1
55	25 086 423-S	SCREW, HEX WASHER HI-LO	2
	25 054 18-S	ELBOW, MACHINING AIR CLEANER NOT ILLUSTRATED	1

BLOWER HOUSING GROUP
CH26, CH735, CH745, ECH630, ECH650, ECH730, ECH740, ECH749

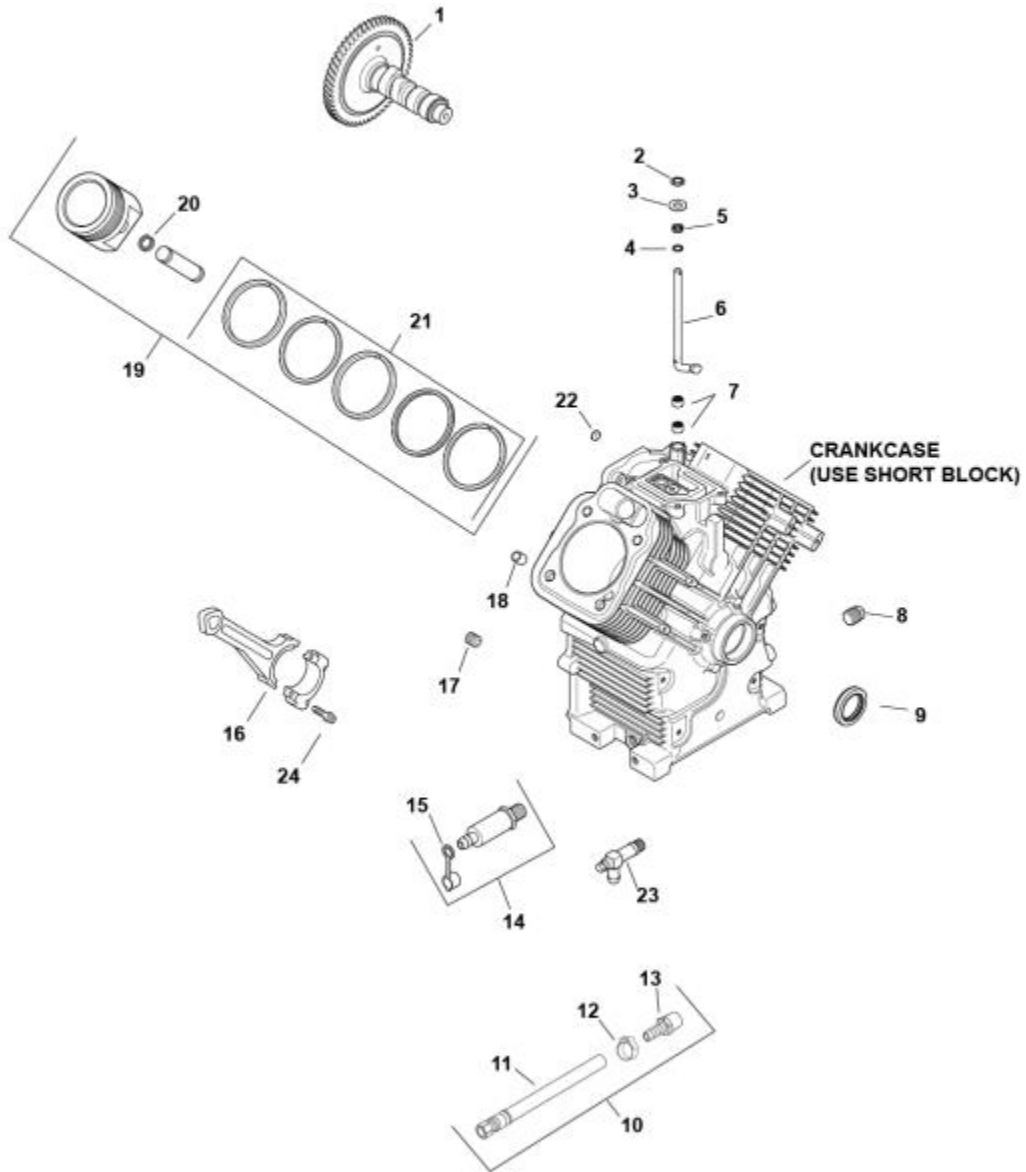


ILLUSTRATIONS ARE REPRESENTATIVE AND ARE NOT INTENDED TO SHOW ALL DETAILS FOR EACH COMPONENT

Blower Housing Group 6-24-457

Ref #	Part	Description	Qty
3	25 086 398-S	SCREW, THREAD FORMING	3
4	25 086 400-S	SCREW, THREAD FORMING	2
5	24 063 101-S	BAFFLE, BARREL	1
6	25 086 396-S	SCREW, THREAD FORMING	2
7	25 086 406-S	SCREW, THREAD FORMING	4
8	24 063 93-S	BAFFLE, VALLEY #1 CYLINDER	1
9	24 063 94-S	BAFFLE, VALLEY #2 CYLINDER	1
12	24 096 17-S	COVER, BLOWER HOUSING	2
15	24 063 102-S	USE 24 063 112-S - BAFFEL, LEFT BAFFLE	1
16	25 086 397-S	SCREW, THREAD FORMING	7
17	24 146 57-S	PLATE, BACKING	1
18	25 755 20-S	KIT, ACCESS PANEL	2
19	25 154 13-S	CLIP, BAFFLE MOUNTING	4
21	24 332 01-S	INSERT, THREADED	3
22	25 086 160-S	SCREW, SEMS	3
	24 455 01-S	TOOL, INSERT INSTALLATION NOT ILLUSTRATED	1
	25 086 426-S	SCREW, THREAD FORMING NOT ILLUSTRATED	1
	24 112 09-S	SPACER NOT ILLUSTRATED	3
	24 755 94-S	KIT, GUARD NOT ILLUSTRATED	1

CRANKCASE GROUP
CH26, CH735, CH745, ECH630, ECH650, ECH730, ECH740, ECH749



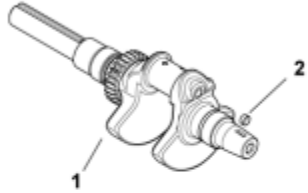
ILLUSTRATIONS ARE REPRESENTATIVE AND ARE NOT INTENDED TO SHOW ALL DETAILS FOR EACH COMPONENT

Crankcase Group 2-24-369

Ref #	Part	Description	Qty
1	24 012 29-S	KIT, CAMSHAFT	1
2	24 018 09-S	RETAINER, RING	1
3	M-931010-S	WASHER, FLAT 9 MM	1
4	24 468 15-S	WASHER, FLAT 11/32"	1
5	28 032 09-S	SEAL, GOVERNOR CROSS SHAFT	1
6	24 144 38-S	SHAFT, GOVERNOR CROSS	1
8	52 139 02-S	PLUG, HD PIPE 3/8"	2
9	24 032 19-S	SEAL, OIL (HELIX LIP)	1
16	24 067 34-S	KIT, CONNECTING ROD ASSEMBLY	2
18	24 380 16-S	PIN, LOCATING	6
19	25 874 14-S	PISTON W/RINGS (STYLE B)(STD) - RING SET 25 108 01-S	2
19	25 874 18-S	PISTON W/RINGS (STYLE B)(.08) - RING SET 25 108 02-S	2
19	25 874 19-S	PISTON W/RINGS (STYLE B)(.25) - RING SET 25 108 03-S	2
19	25 874 20-S	PISTON W/RINGS (STYLE B)(.50) - RING SET 25 108 04-S	2
19	24 874 30-S	PISTON W/RINGS (STYLE A)(STD) - RING SET 24 108 14-S	2
19	24 874 31-S	PISTON W/RINGS (STYLE A)(.08) - RING SET 24 108 15-S	2
19	24 874 32-S	PISTON W/RINGS (STYLE A)(.25)-RING SET 24 108 16-S (#2587411S)	2
19	24 874 33-S	PISTON W/RINGS (STYLE A)(.50) - RING SET 24 108 17-S	2
20	24 018 01-S	RETAINER, PISTON PIN	4
21	25 108 01-S	RING SET(STD)STYLE B-1.2mm Tp RING THICK	2
21	25 108 02-S	RING SET(.08)STYLE B-1.2mm Tp RING THICK	2
21	25 108 03-S	RING SET(.25)STYLE B-1.2mm Tp RING THICK	2
21	25 108 04-S	RING SET(.50)STYLE B-1.2mm Tp RING THICK	2
22	52 139 09-S	PLUG, CUP	1
24	25 086 452-S	KIT, ROD BOLTS	4

Crankshaft Group 1-24-79

CRANKSHAFT GROUP
CH26, CH735, CH745, ECH630, ECH650, ECH730, ECH740, ECH749

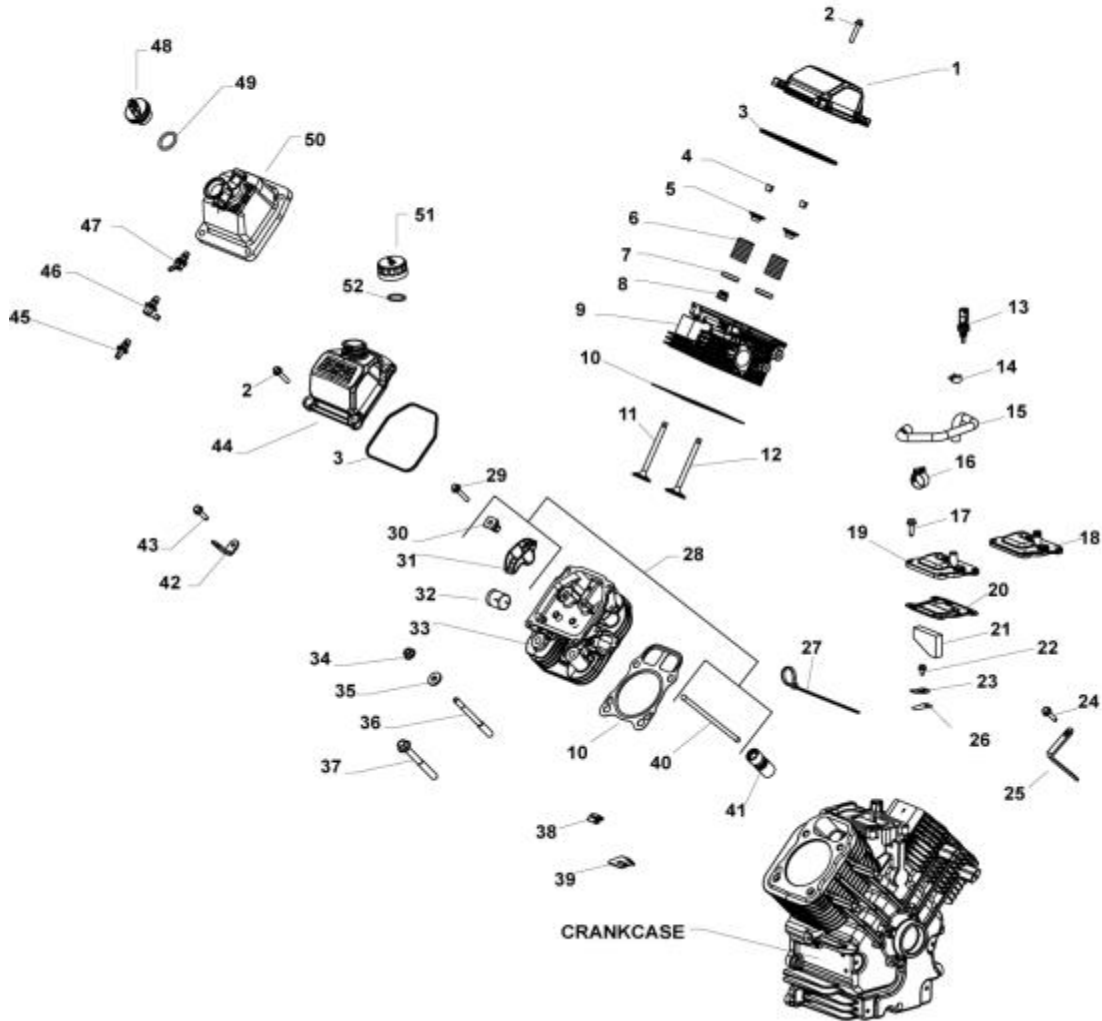


ILLUSTRATIONS ARE REPRESENTATIVE AND ARE NOT INTENDED TO SHOW ALL DETAILS FOR EACH COMPONENT

Crankshaft Group 1-24-79

Ref #	Part	Description	Qty
1	24 014 519-S	CRANKSHAFT, NON-THRUST STYLE	1
2	52 139 09-S	PLUG, CUP	1

CYLINDER HEAD/BREATHER GROUP
CH26, CH735, CH745, ECH630, ECH650, ECH730, ECH740, ECH749

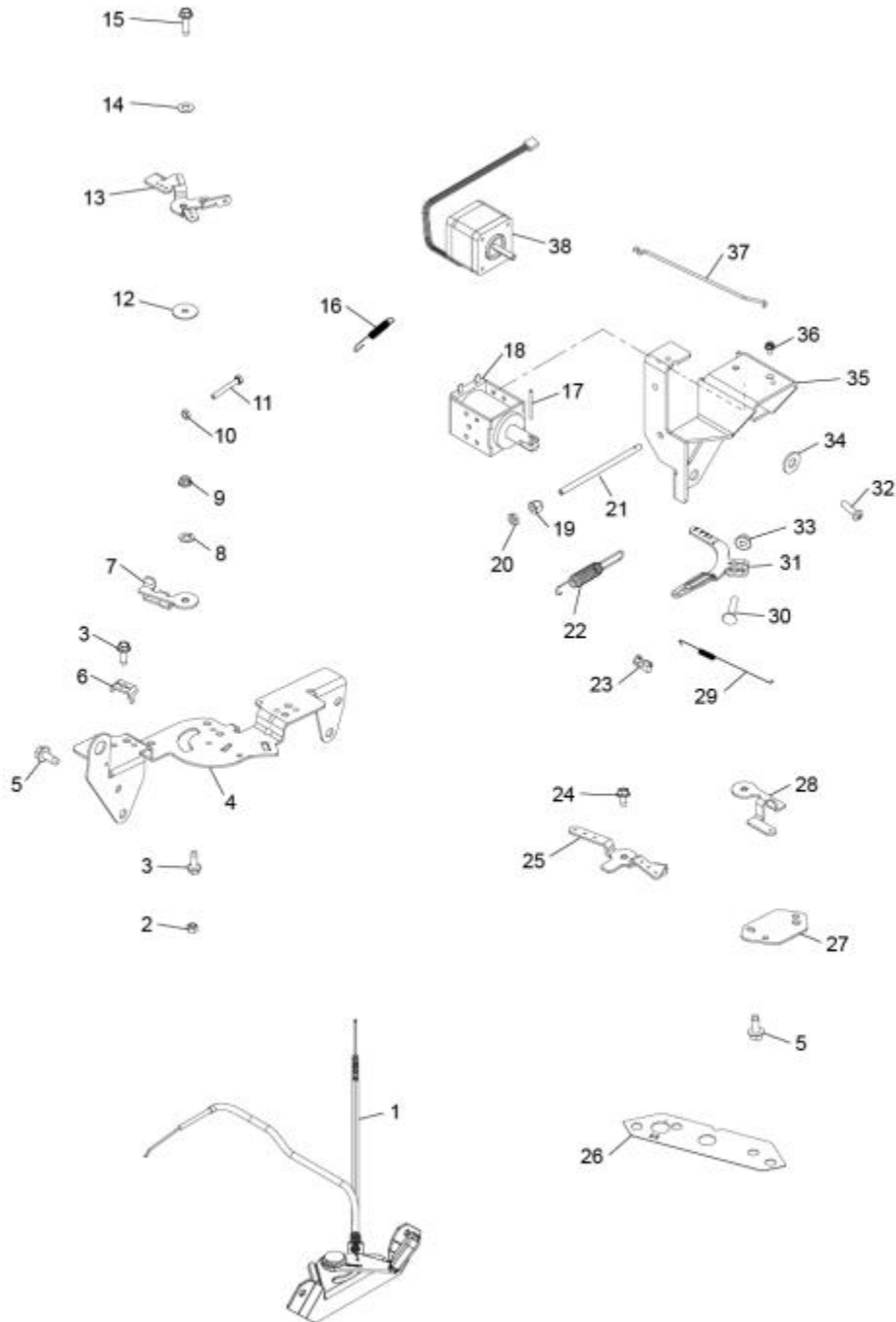


ILLUSTRATIONS ARE REPRESENTATIVE AND ARE NOT INTENDED TO SHOW ALL DETAILS FOR EACH COMPONENT

Cylinder Head/Breather Group 4-24-699

Ref #	Part	Description	Qty
1	24 755 141-S	KIT, VALVE COVER-PLAIN	1
2	M-651030-S	SCREW, FLG M6X1.0X30	8
3	24 153 30-S	O-RING (YELLOW), VALVE COVER	2
4	12 755 03-S	KIT, RETAINER	8
5	25 173 28-S	CAP, VALVE SPRING	4
6	24 089 02-S	SPRING, VALVE	4
7	235011-S	RETAINER, SPRING	4
8	25 032 14-S	SEAL, VALVE BAND	4
9	24 318 155-S	KIT, CYLINDER HEAD #1	1
10	24 841 04-S	KIT, CYLINDER HEAD GASKET	2
11	24 016 01-S	VALVE, EXHAUST (STD)	2
11	24 016 02-S	VALVE, EXHAUST (.25)	2
12	24 017 01-S	VALVE, INTAKE (STD)	2
12	24 017 02-S	VALVE, INTAKE (.25)	2
13	25 418 02-S	SENSOR, TEMPERATURE	1
14	25 237 37-S	CLAMP SPRING HOSE	1
15	24 326 104-S	HOSE, BREATHER - EFI HORIZONTAL	1
16	25 237 12-S	CLAMP, HOSE-USE 25 237 32-S	1
17	25 086 396-S	SCREW, THREAD FORMING	4
18	24 096 132-S	KIT, BREATHER COVER	1
19	24 096 117-S	BREATHER COVER -USE 24 096 123-S	1
20	24 041 67-S	GASKET, BREATHER	1
21	24 050 11-S	FILTER, BREATHER	1
22	M-545010-S	SCREW, FLG THD FRM M5X.8X10	1
23	66 018 04-S	RETAINER, REED	1
24	25 086 395-S	SCREW, THREAD FORMING	1
25	25 445 03-S	STRAP, LIFT	1
26	24 402 03-S	REED, BREATHER	1
27	25 454 05-S	TIE	2
28	24 755 66-S	KIT, VALVE TRAIN	4
29	M-640034-S	SCREW, FLG M6X1.0X34	4
30	24 599 02-S	PIVOT, ROCKER ARM	4
31	25 186 01-S	ARM, ROCKER	4
32	24 605 07-S	LINER, EXHAUST PORT	4
33	24 318 156-S	KIT, CYLINDER HEAD #2	1
34	24 100 10-S	NUT, FLG M8X1.25	8
35	24 468 16-S	WASHER, FLAT 8.6 MM	8
36	24 072 09-S	STUD, M8X1.25	8
38	25 154 22-S	CLIP, O2 SENSOR	1
39	24 126 194-S	BRACKET, OXYGEN SENSOR	1
40	24 411 05-S	ROD, PUSH	4
41	25 351 10-S	LIFTER, VALVE HYDRAULIC - (#2535111S)	4
42	24 445 02-S	STRAP, BREATHER	1
43	25 086 395-S	SCREW, THREAD FORMING	1
45	25 294 09-S	KIT, STRAIGHT FITTING	1
46	25 294 11-S	KIT, 90 DEG. FITTING	1
48	24 227 02-S	CAP ASSY, OIL FILL (YELLOW)	1
49	24 153 32-S	O-RING	1
50	24 559 10-S	KIT, VALVE COVER-FUEL PUMP	1

ENGINE CONTROLS GROUP
CH26, CH735, CH745, ECH630, ECH650, ECH730, ECH740, ECH749



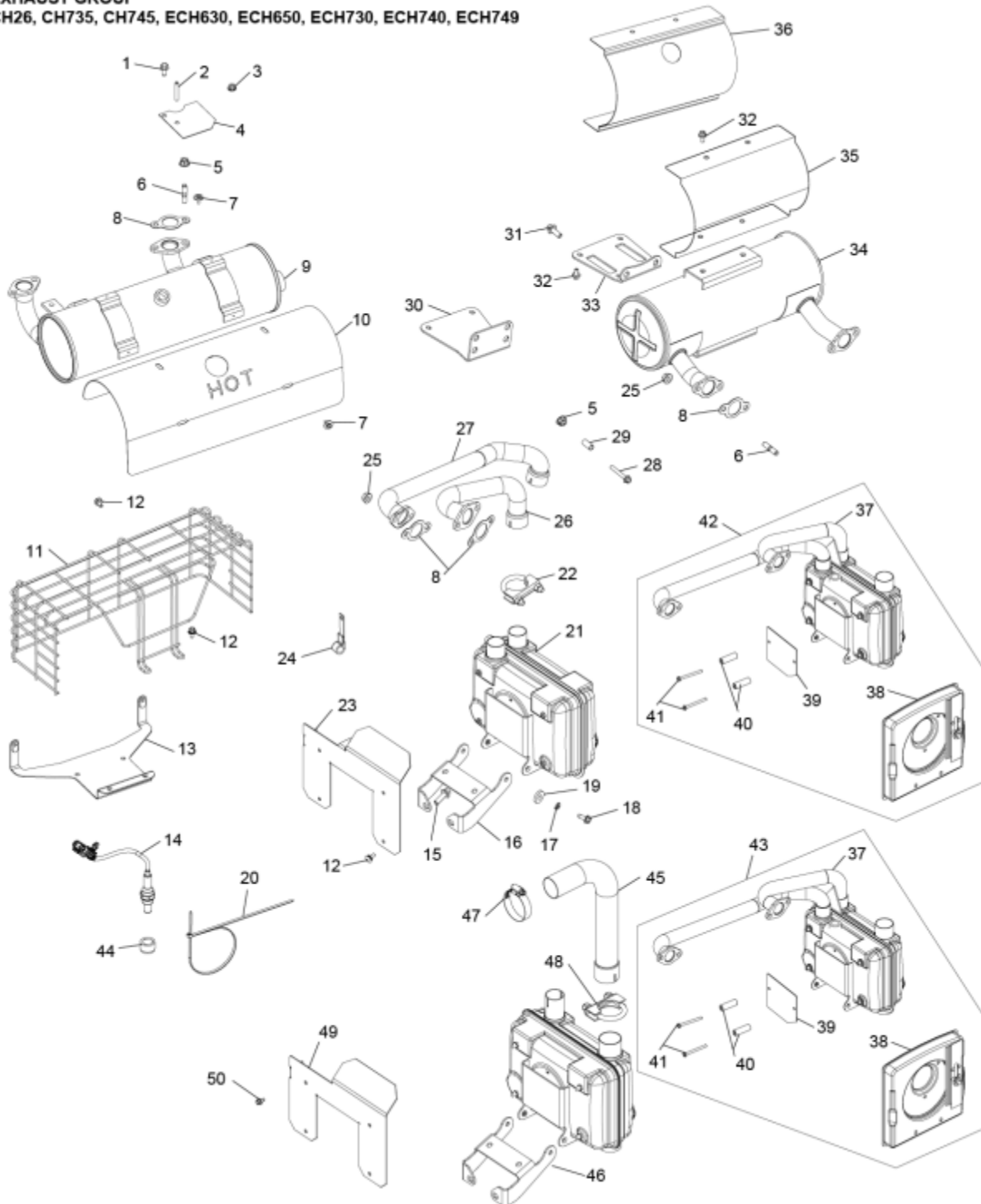
ILLUSTRATIONS ARE REPRESENTATIVE AND ARE NOT INTENDED TO SHOW ALL DETAILS FOR EACH COMPONENT

Engine Controls Group 9-24-575

Ref #	Part	Description	Qty
2	M-547050-S	NUT, LOCK M5X.8	1
3	25 086 398-S	SCREW, THREAD FORMING	2
4	24 126 176-S	BRACKET, CONTROL	1
5	25 086 397-S	SCREW, THREAD FORMING	4
6	12 237 01-S	CLAMP, CABLE	1
8	X-20-1-S	WASHER, SPRING LOCK 1/4"	1
9	M-541050-S	NUT, FLG M5X.8	1
10	M-446030-S	NUT, M4X0.7	1
11	M-401030-S	SCREW, CAP M4X.7X30	1
15	25 086 399-S	SCREW, THREAD FORMING - USE 25 086 473-S	1
16	24 089 51-S	SPRING, THROTTLE LIMITER	1
22	24 089 48-S	SPRING, GOVERNOR (PURPLE)	1
23	25 158 11-S	BUSHING, THROTTLE LINKAGE	1
29	24 089 01-S	SPRING, LINKAGE	1
30	24 211 03-S	BOLT, RD HD SQ NECK M6X1.0X25	1
31	24 090 69-S	LEVER, GOVERNOR ASSEMBLY	1
33	M-641060-S	NUT, FLG M6X1.0	1
37	24 079 33-S	LINKAGE, THROTTLE	1
	24 090 47-S	LEVER, THROTTLE ACTUATOR NOT ILLUSTRATED	1
	24 090 60-S	LEVER, THROTTLE NOT ILLUSTRATED	1
	24 112 27-S	SPACER, CONTROL ASSEMBLY NOT ILLUSTRATED	1
	25 089 14-S	RETURN SPRING NOT ILLUSTRATED	1

Exhaust Group 11-24-3

EXHAUST GROUP
CH26, CH735, CH745, ECH630, ECH650, ECH730, ECH740, ECH749

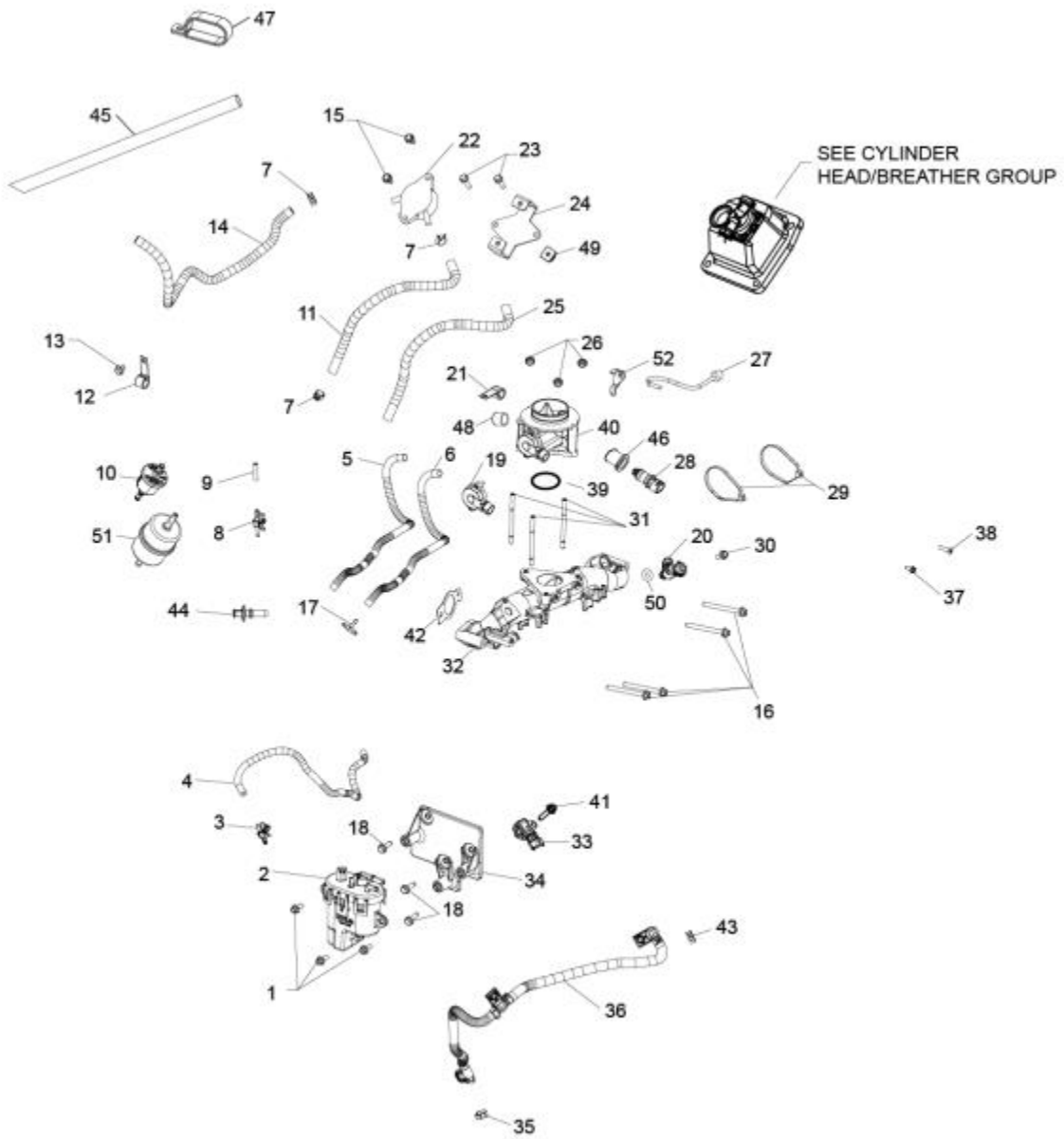


ILLUSTRATIONS ARE REPRESENTATIVE AND ARE NOT INTENDED TO SHOW ALL DETAILS FOR EACH COMPONENT

Exhaust Group 11-24-3

Ref #	Part	Description	Qty
6	25 072 24-S	STUD	4

FUEL SYSTEM GROUP
CH26, CH735, CH745, ECH630, ECH650, ECH730, ECH740, ECH749



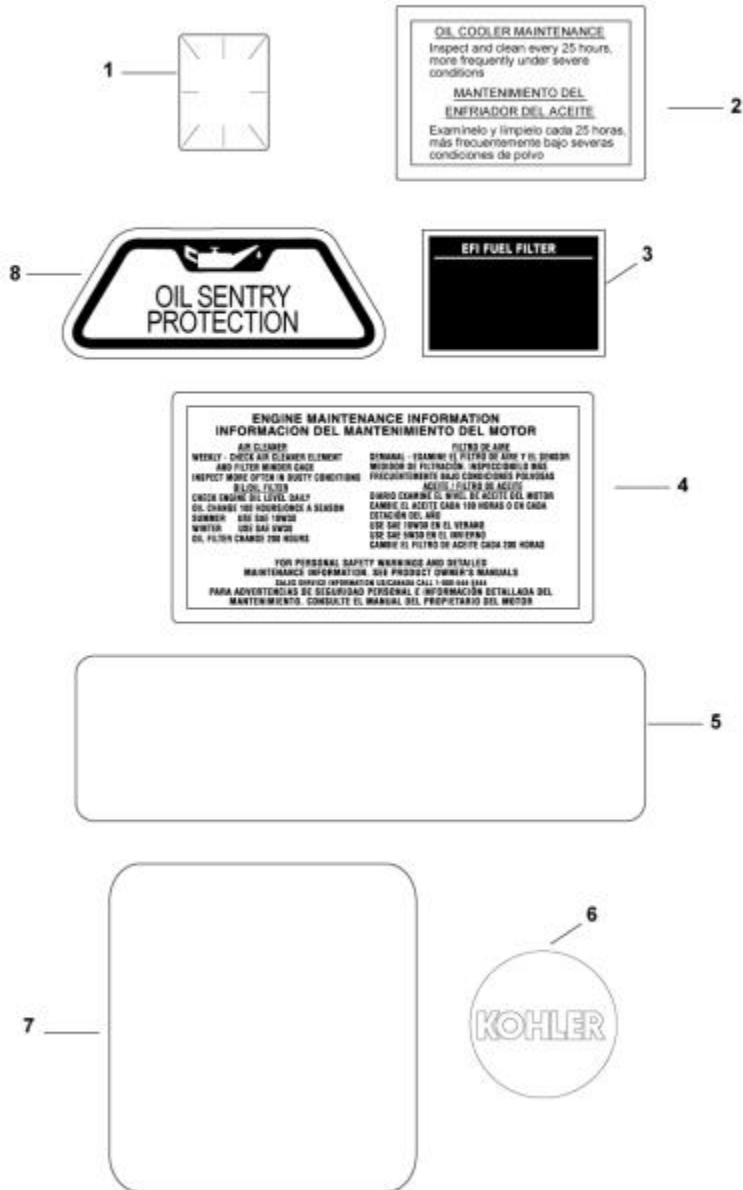
ILLUSTRATIONS ARE REPRESENTATIVE AND ARE NOT INTENDED TO SHOW ALL DETAILS FOR EACH COMPONENT

Fuel System Group 8-24-797

Ref #	Part	Description	Qty
1	M-639016-S	SCREW, FLG M6X1.0X16	3
2	25 393 11-S	PUMP, FUEL MODULE - USE 25 393 14-S	1
4	24 326 119-S	HOSE, EVAPORATIVE (15.0)	
5	25 431 22-S	SLEEVE, ANTI-ABRASION	1
7	25 237 14-S	CLAMP, HOSE (KM)-USE 25 237 31-S	2
8	25 155 51-S	CONNECTOR, EVAPORATIVE	1
9	25 173 33-S	CAP, MASKING	1
10	25 050 42-S	FILTER, FUEL	1
11	25 111 34-S	HOSE,LW PERM.FUEL 24.00"-USE 25 111 81-S	2
16	M-651060-S	SCREW, FLG M6X1.0X60	4
17	25 155 56-S	TEE CONNECTOR	1
18	25 086 413-S	SCREW, THREAD FORMING	3
19	25 418 08-S	SENSOR, THROTTLE POSITION	1
20	25 331 01-S	INJECTOR, FUEL	2
21	25 154 04-S	CLIP, CABLE	1
25	25 431 12-S	SLEEVE, FUEL LINE	1
26	M-641060-S	NUT, FLG M6X1.0	3
28	25 418 03-S	SENSOR, AIR TEMPERATURE	1
29	25 454 07-S	TIE	2
30	M-651016-S	SCREW, FLG M6X1.0X16	2
31	M-629085-S	STUD,M6X1.0X84	3
32	24 164 102-S	KIT, MANIFOLD	1
33	25 418 09-S	SENSOR, MAP	1
34	24 063 107-S	BAFFLE, FUEL MODULE	1
35	24 237 17-S	CLAMP, HOSE	1
36	24 399 26-S	FUEL HOSE ASSY ECH680 THRU ECH749	1
40	25 583 10-S	BODY, THROTTLE ASSEMBLY INCLUDES THROTTLE POSITION SENSOR	1
40	25 583 09-S	BODY, THROTTLE ASSEMBLY	1
41	25 086 124-S	SCREW, FLG M6X1.0X25	1
42	24 041 01-S	GASKET, INTAKE MANIFOLD USE 24 041 79-S	2
43	25 237 28-S	CLAMP, OETIKER	4
50	25 755 41-S	KIT, FUEL INJECTOR O-RING	2

Identification Group 12-24-945

IDENTIFICATION GROUP
CH26, CH735, CH745, ECH630, ECH650, ECH730, ECH740, ECH749



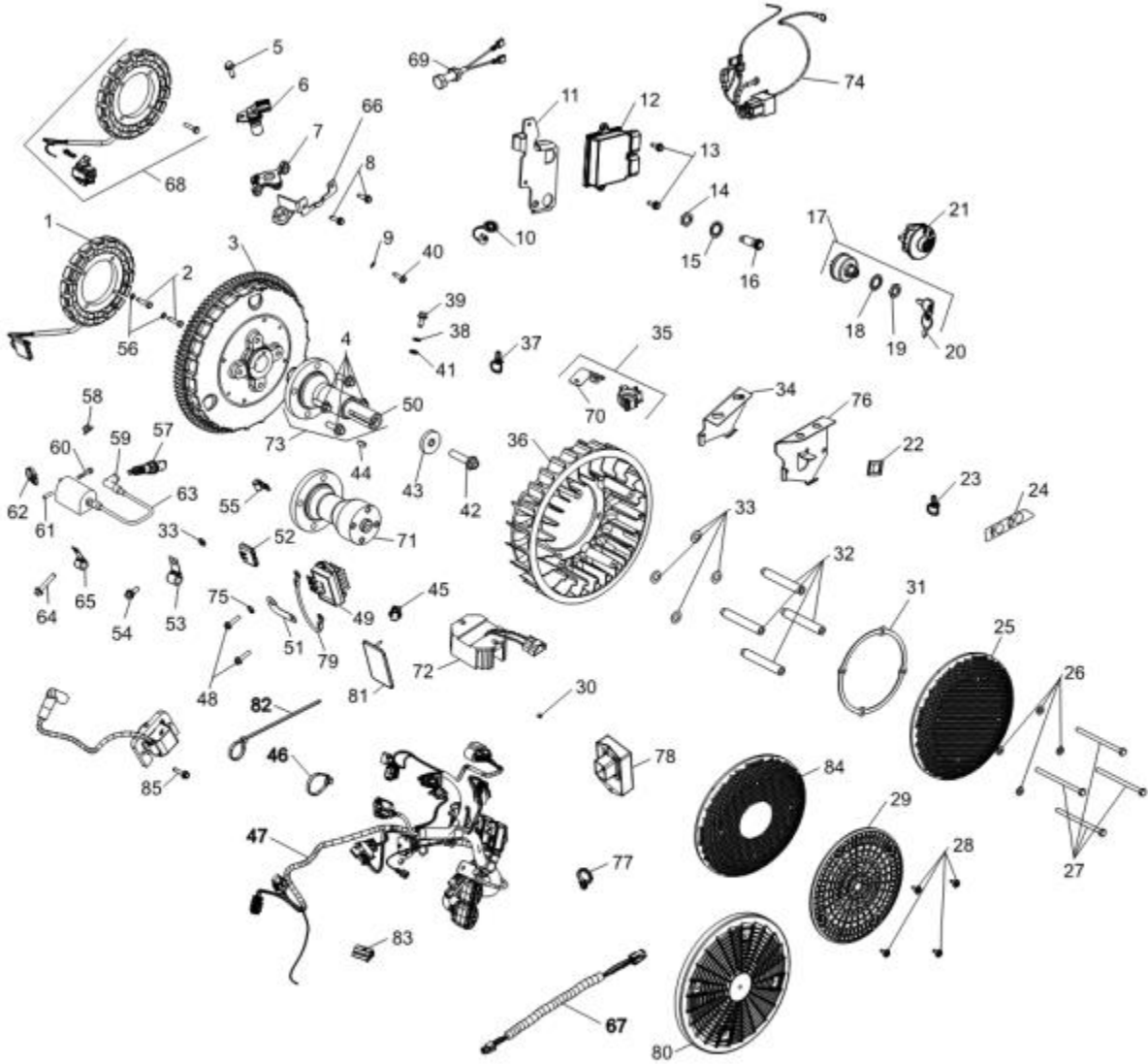
ILLUSTRATIONS ARE REPRESENTATIVE AND ARE NOT INTENDED TO SHOW ALL DETAILS FOR EACH COMPONENT

Identification Group 12-24-945

Ref #	Part	Description	Qty
1	25 113 70-S	LABEL, CLEAR LAMINATION	1
3	25 113 344-S	LABEL, EFI FUEL FILTER	1

Ignition/Charging Group 5-24-1309

IGNITION/CHARGING GROUP
CH26, CH735, CH745, ECH630, ECH650, ECH730, ECH740, ECH749



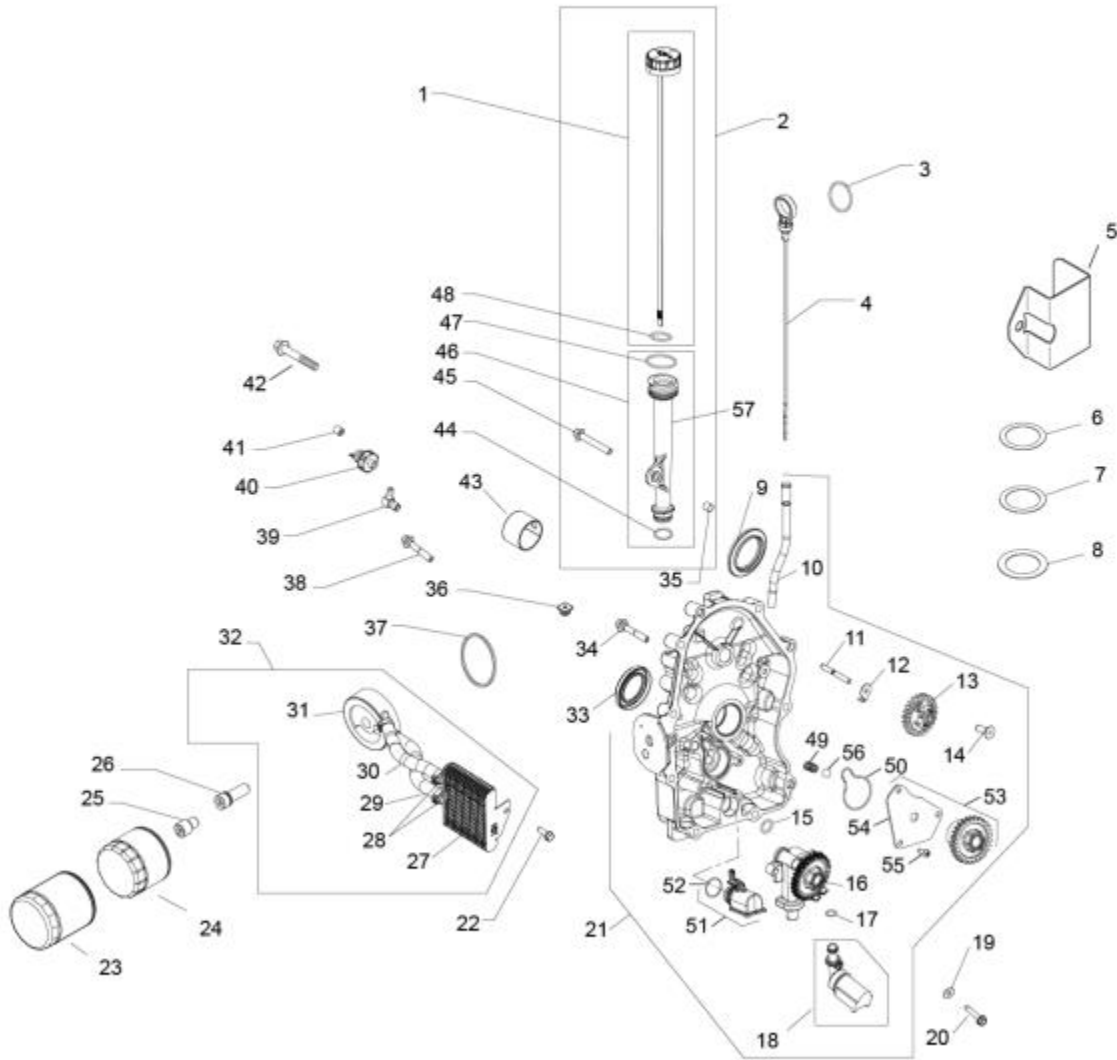
ILLUSTRATIONS ARE REPRESENTATIVE AND ARE NOT INTENDED TO SHOW ALL DETAILS FOR EACH COMPONENT

Ignition/Charging Group 5-24-1309

Ref #	Part	Description	Qty
1	28 085 02-S	KIT, 25 AMP STATOR ASSY.	1
2	25 086 412-S	SCREW, THREAD FORMING	2
3	24 025 62-S	FLYWHEEL ASSEMBLY	1
5	25 086 396-S	SCREW, THREAD FORMING	2
6	25 418 01-S	SENSOR, SPEED	1
7	25 126 13-S	BRACKET, SENSOR MOUNT-(#2512616S)	1
8	25 086 398-S	SCREW, THREAD FORMING	4
9	X-22-9-S	WASHER, INT TOOTH LOCK #10	1
10	24 173 08-S	CAP, CONNECTOR	1
11	24 126 197-S	BRACKET, ECU	1
12	24 584 106-S	MODULE, ECU	1
23	25 454 09-S	TIE, WIRE	1
26	X-25-53-S	WASHER, FLAT 1/4" (O.D. 5/8")	4
28	M-603100-S	SCREW, CAP M6X1.0X99.5	4
29	24 162 41-S	SCREEN, GRASS	1
30	12 086 14-S	SCREW, FLG M10X1.5X45 - (#25086361S)	1
31	24 141 06-S	RING, SUPPORT	1
32	24 112 14-S	SPACER	4
33	24 468 11-S	WASHER, SPRING 10 MM	4
35	25 154 21-S	KIT, MOUNTING CLIP	1
36	24 157 11-S	FAN USE 24 755 253-S	1
37	25 454 09-S	TIE, WIRE	1
38	X-22-11-S	WASHER, INT TOOTH LOCK 1/4"	1
41	X-25-63-S	WASHER, FLAT 1/4" (O.D. 1/2")	1
42	25 086 43-S	SCREW, SKT SET #10-24X1/4"	1
43	12 468 03-S	WASHER, FLAT 13/32"	1
44	X-42-15-S	KEY, 3/16" X 5/8"	1
47	24 176 157-S	HARNESS, WIRING ASSEMBLY	1
48	25 086 157-S	SCREW, HEX FLANGE HI-LO	2
49	25 403 21-S	REGULATOR, RECTIFIER	1
51	24 126 137-S	BRACKET, GROUND STRAP USE 24 518 12-S	1
52	25 155 41-S	CONNECTOR	1
53	25 237 36-S	CLAMP	1
56	X-25-79-S	WASHER, FLAT 3/16"	1
57	12 132 02-S	PLUG, SPARK (STD)	2
62	62 154 05-S	CLIP	2
63	25 519 02-S	COIL, IGNITION - EFI	2
64	M-640034-S	SCREW, FLG M6X1.0X34	2
69	24 418 14-S	KIT, SPEED SENSOR	1
	25 126 13-S	BRACKET, SENSOR MOUNT-(#2512616S) NOT ILLUSTRATED	1

Lubrication Group 3-24-837

LUBRICATION GROUP
CH26, CH735, CH745, ECH630, ECH650, ECH730, ECH740, ECH749



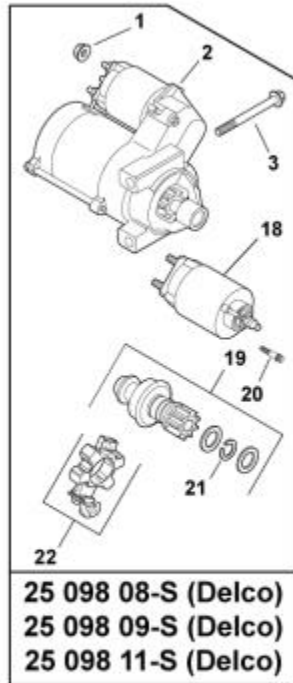
ILLUSTRATIONS ARE REPRESENTATIVE AND ARE NOT INTENDED TO SHOW ALL DETAILS FOR EACH COMPONENT

Lubrication Group 3-24-837

Ref #	Part	Description	Qty
4	24 038 10-S	DIPSTICK	1
10	24 755 121-S	KIT, DIPSTICK/DIPSTICK TUBES	1
11	12 144 02-S	SHAFT, GOVERNOR GEAR	1
12	24 448 02-S	TAB, LOCKING	1
13	24 043 12-S	KIT, GOVERNOR GEAR W/PIN	1
14	12 380 01-S	PIN, GOVERNOR REGULATING	1
15	24 153 08-S	O-RING	1
16	24 393 53-S	KIT, OIL PUMP ASSEMBLY (After S/N 4327400011)	1
17	24 153 01-S	O-RING, OIL PICK-UP (After S/N 4327400011)	1
18	24 381 04-S	PICK-UP, OIL (After S/N 4327400011)	1
19	X-25-53-S	WASHER, FLAT 1/4" (O.D. 5/8") (After S/N 4327400011)	2
20	25 086 401-S	SCREW, THREAD FORMING (After S/N 4327400011)	2
21	24 009 163-S	PLATE, CLOSURE & BEARING - DISCONTINUED	1
22	24 086 12-S	SCREW, TAP M6X1.7X18	1
23	52 050 02-S	OIL FILTER	1
26	24 136 05-S	NIPPLE, OIL FILTER	1
27	24 594 42-S	COOLER, OIL ASSEMBLY	1
28	24 237 16-S	CLAMP, HOSE LOW PROFILE	4
29	24 326 111-S	HOSE, OIL COOLER-USE 24 326 130-S	1
29	24 326 130-S	HOSE, OIL COOLER	1
30	24 326 129-S	HOSE, OIL COOLER	1
31	24 029 81-S	ADAPTER, OIL FILTER (CH EFI)	1
32	24 594 41-S	COOLER, OIL & DIVERTER ASSY(CH EFI)-USE 24 594 49-S	1
32	24 594 49-S	COOLER, OIL & DIVERTER ASSEMBLY	1
33	25 032 06-S	SEAL, OIL	1
34	25 086 17-S	SCREW - DISCONTINUED	1
36	25 100 37-S	NUT, PLASTIC - BLACK	1
37	24 153 21-S	O-RING, OIL COOLER	1
38	24 086 17-S	SCREW, FLG M8X1.25X45	9
40	25 099 27-S	SWITCH, OIL PRESSURE	1
41	25 139 60-S	PLUG, CTSK PIPE 1/8"	1
49	24 089 74-S	SPRING, COMPRESSION (After S/N 4327400001)	1
50	24 153 33-S	SEAL, OIL PUMP COVER (After S/N 4327400001)	1
51	24 381 13-S	PICK-UP ASSEMBLY, OIL (After S/N 4327400001)	1
52	24 153 34-S	O-RING, OIL PICK-UP (After S/N 4327400001)	1
53	24 393 70-S	PUMP ASSEMBLY, OIL (After S/N 4327400001)	1
54	24 096 151-S	COVER, OIL PUMP (After S/N 4327400001)	1
55	25 086 414-S	SCREW, BUTTON HEAD (After S/N 4327400001)	3
56	25 194 03-S	PRESSURE RELIEF BALL (After S/N 4327400001)	1

Starting Group 7-24-32

STARTING GROUP
CH26, CH735, CH745, ECH630, ECH650, ECH730, ECH740, ECH749



ILLUSTRATIONS ARE REPRESENTATIVE AND ARE NOT INTENDED TO SHOW ALL DETAILS FOR EACH COMPONENT

Starting Group 7-24-32

Ref #	Part	Description	Qty
1	M-841080-S	NUT, FLG M8X1.25	1
2	25 098 11-S	ELECTRIC STARTER - SOLENOID SHIFT	1
3	M-851080-S	SCREW, FLG M8X1.25X80	2
18	25 435 05-S	SOLENOID, ASSEMBLY-USE 25 435 06-S	1
19	25 755 33-S	KIT, STARTER PINION	1
20	25 086 113-S	SCREW, EXTERNAL TORX HEAD	3
21	25 141 05-S	RING, RETAINING	1
22	25 221 01-S	KIT, BRUSH HOLDER	1

