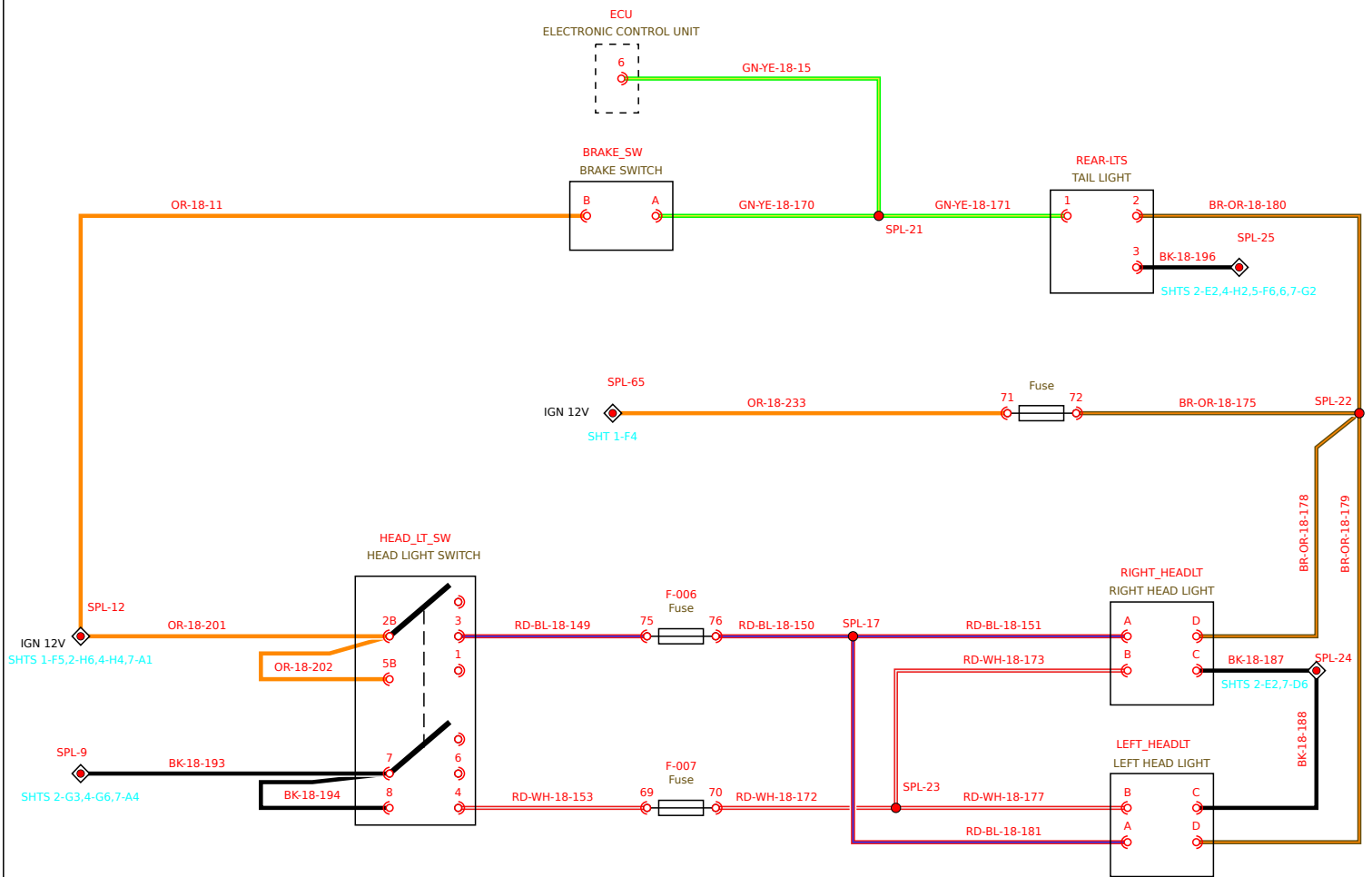


# IGNITION/POWER



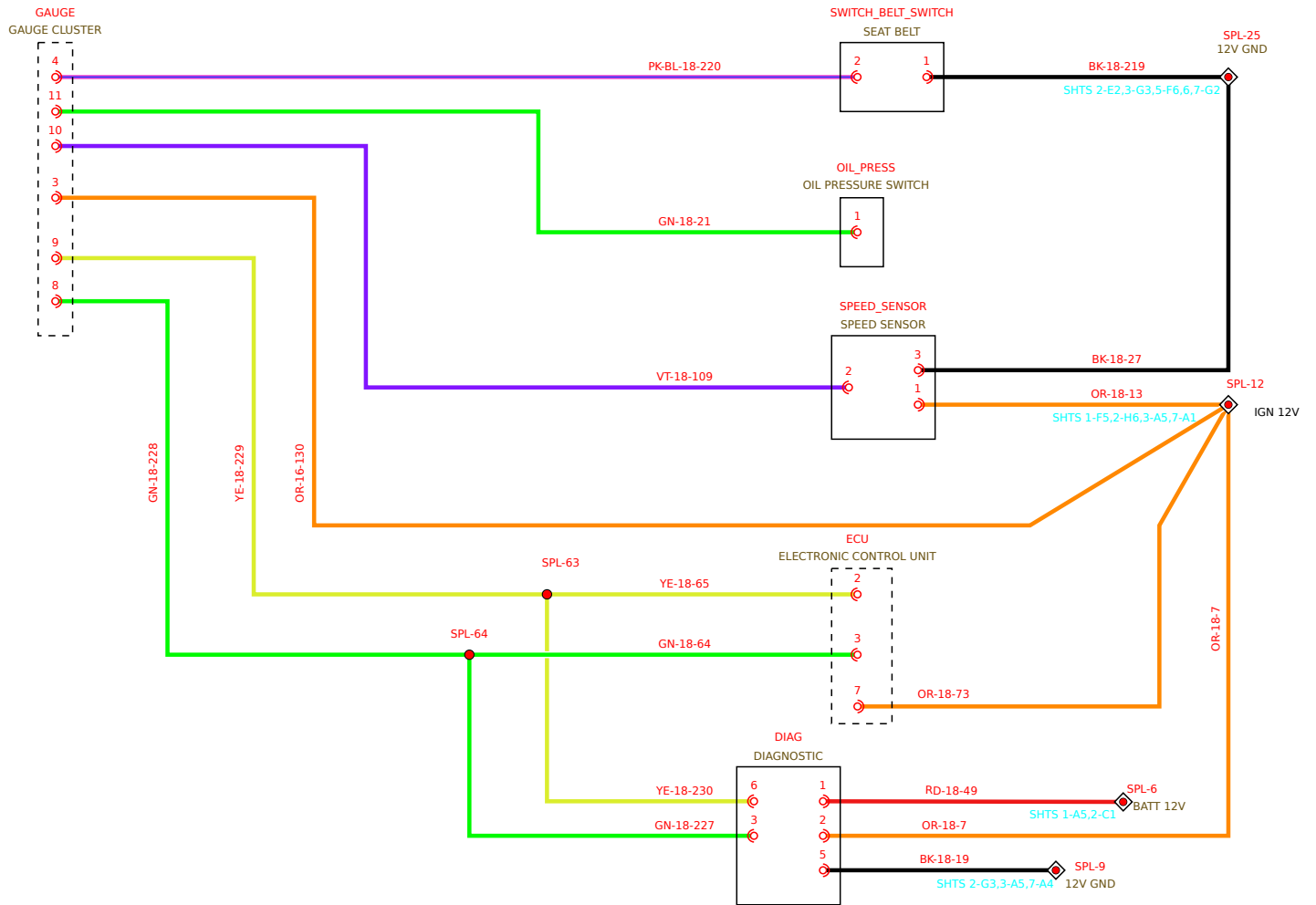
Customer: _____	
Cust. P/N: _____	Rev:NR
DWG Title: Intimidator 1000	
Our P/N: TBD	Pg:2 Of:7
Date: 2017-12-04	VCN: XXX
Modified By: ajay	



# LIGHTING



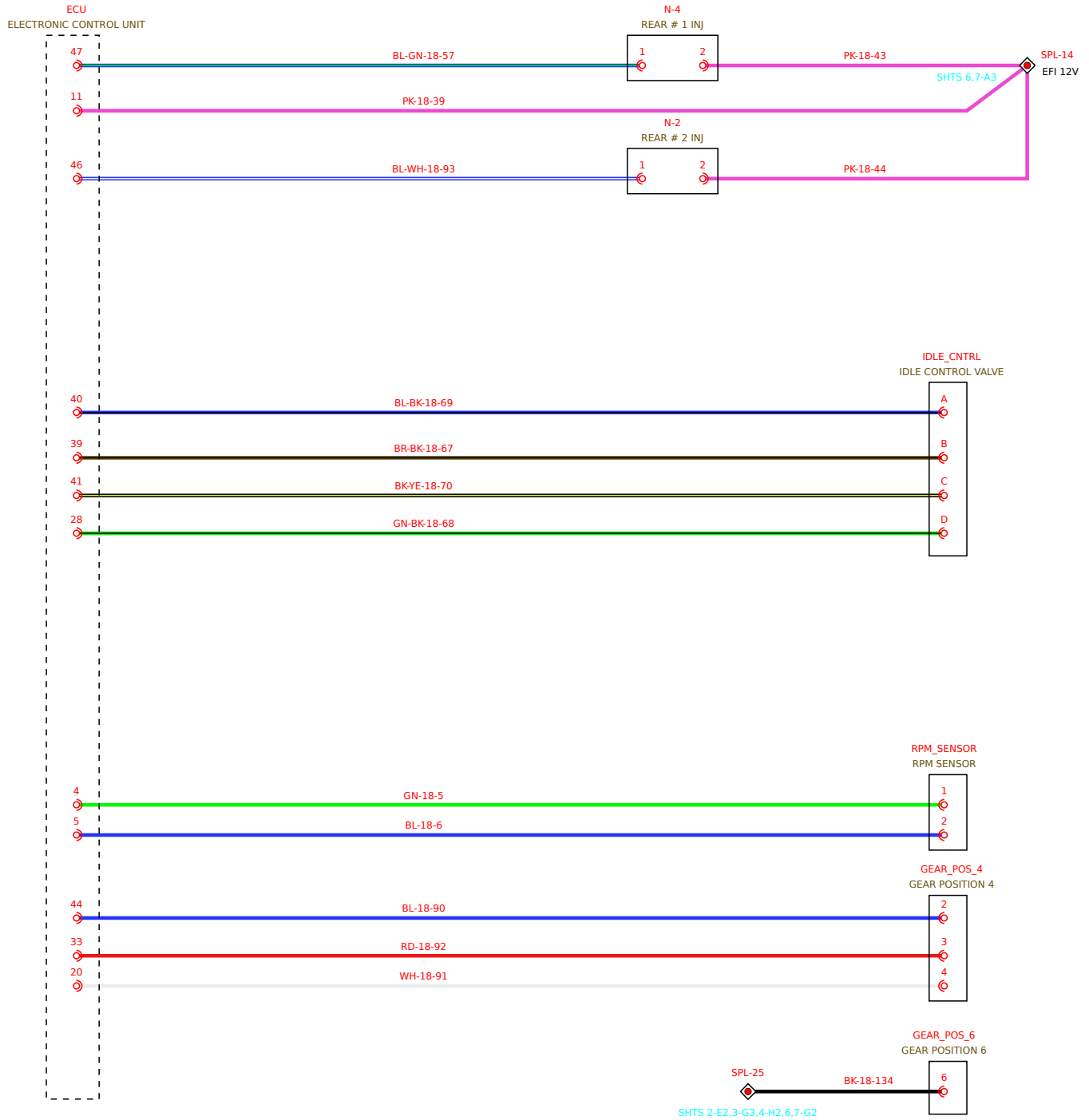
Customer: _____	
Cust. P/N: _____	Rev:NR _____
DWG Title: Intimidator 1000	
Our P/N: TBD	Pg:3 Of:7
Date: 2017-12-04 Modified By: ajoy	VCN: XXX



# ENGINE CONTROL 1



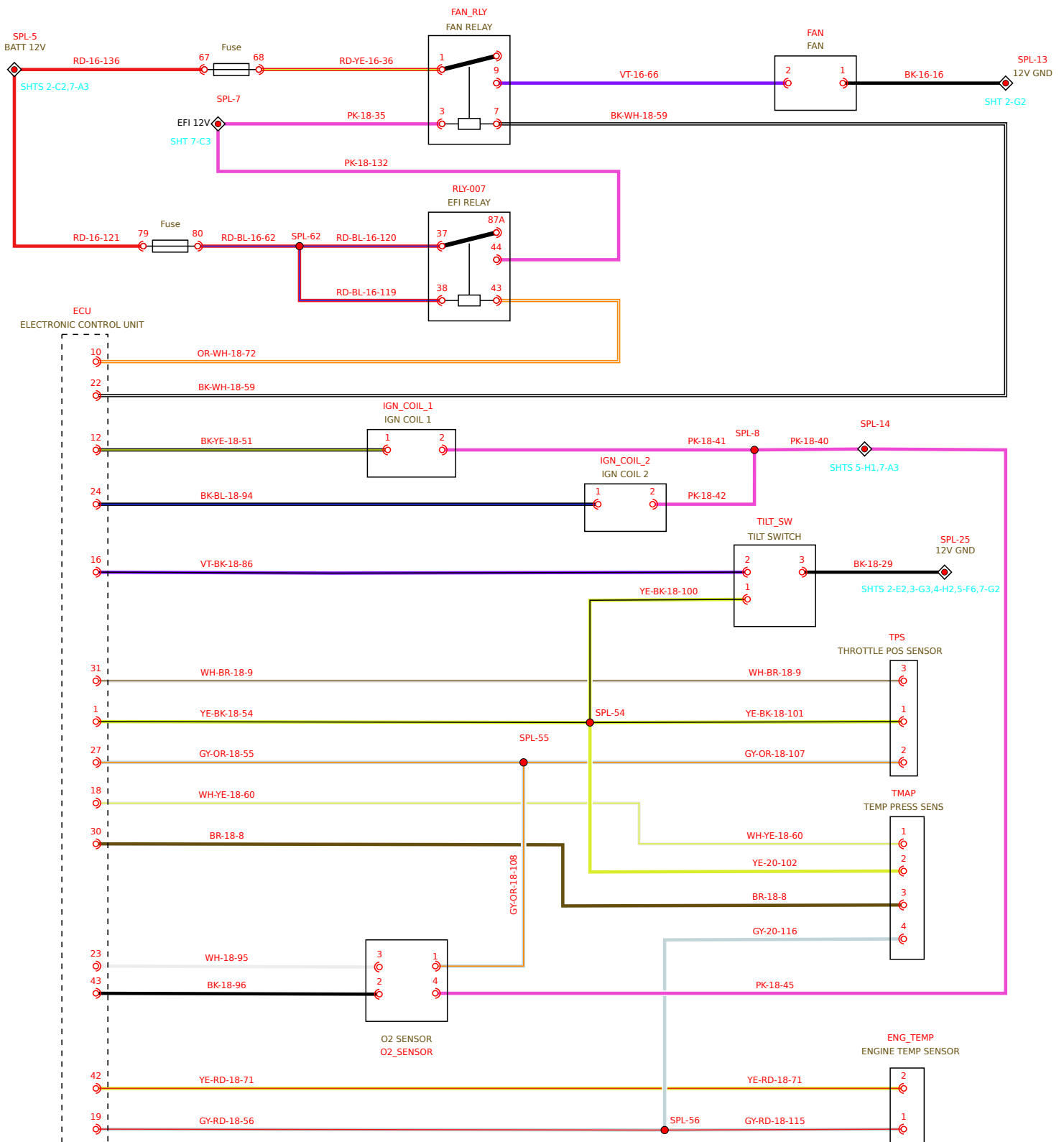
Customer: _____	
Cust. P/N: _____	Rev: NR
DWG Title: Intimidator 1000	
Our P/N: TBD	Pg: 4 Of: 7
Date: 2017-12-04	VCN: XXX
Modified By: ajoy	



## ENGINE CONTROL 2



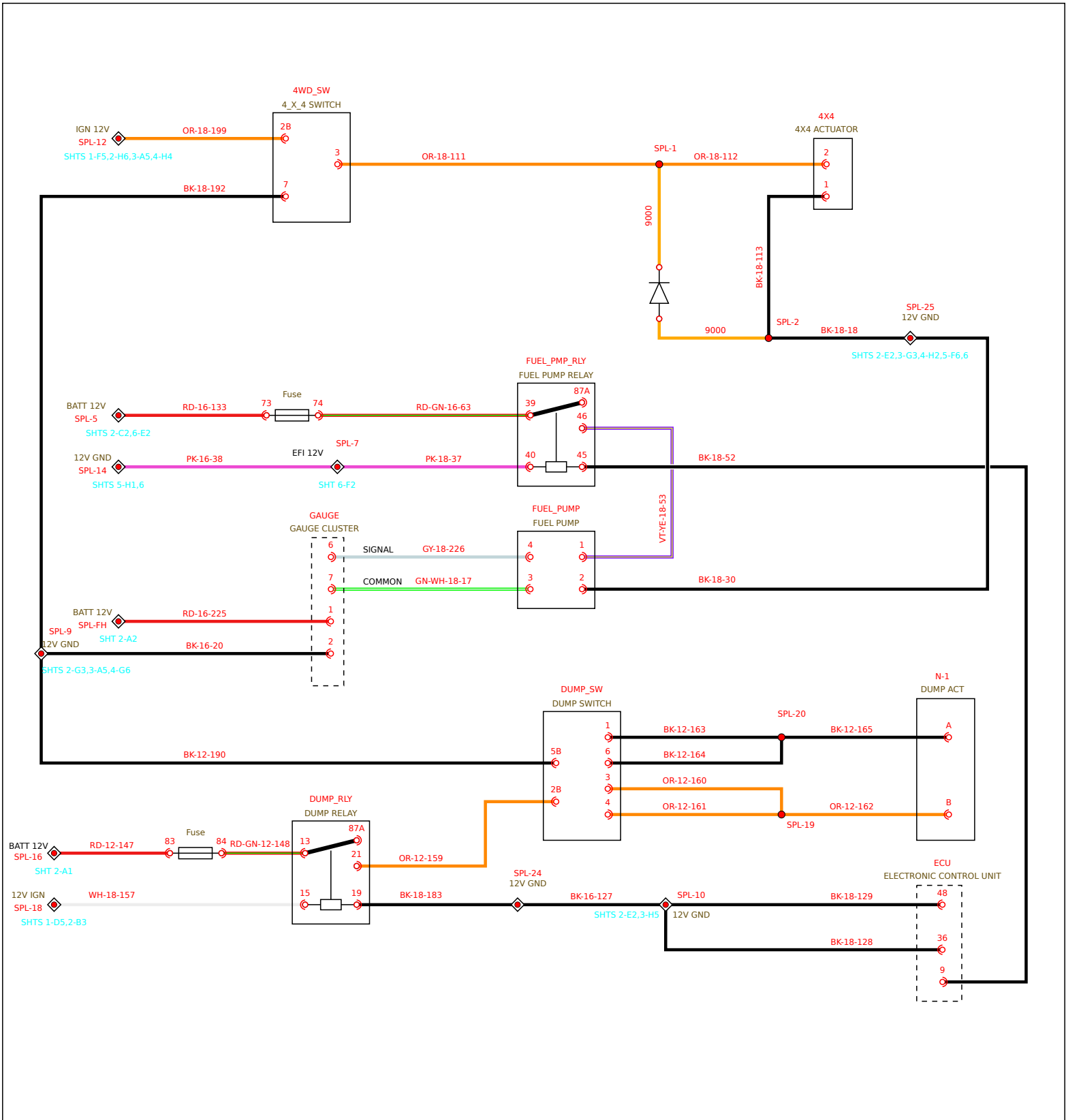
Customer: _____	
Cust. P/N: _____	Rev:NR
DWG Title: Intimidator 1000	
Our P/N: TBD	Pg:5 Of:7
Date: 2017-12-04 Modified By: ajay	VCN: XXX



# ENGINE CONTROL 3



Customer: _____	
Cust. P/N: _____	Rev:NR _____
DWG Title: Intimidator 1000	
Our P/N: TBD	Pg:6 Of:7
Date: 2017-12-04	VCN: XXX
Modified By: ajay	



# 4X4/FUEL PUMP/DUMP



Customer: _____	
Cust. P/N: _____	Rev:NR _____
DWG Title: Intimidator 1000	
Our P/N: TBD	Pg:7 Of:7
Date: 2017-12-04 Modified By: ajay	VCN: XXX