

## POLARIS RZR 900 TRAIL FRONT TUBE BUMPER INSTALLATION INSTRUCTIONS

---

Note: It is recommended that all bolts remain hand tight until all bolts are installed.

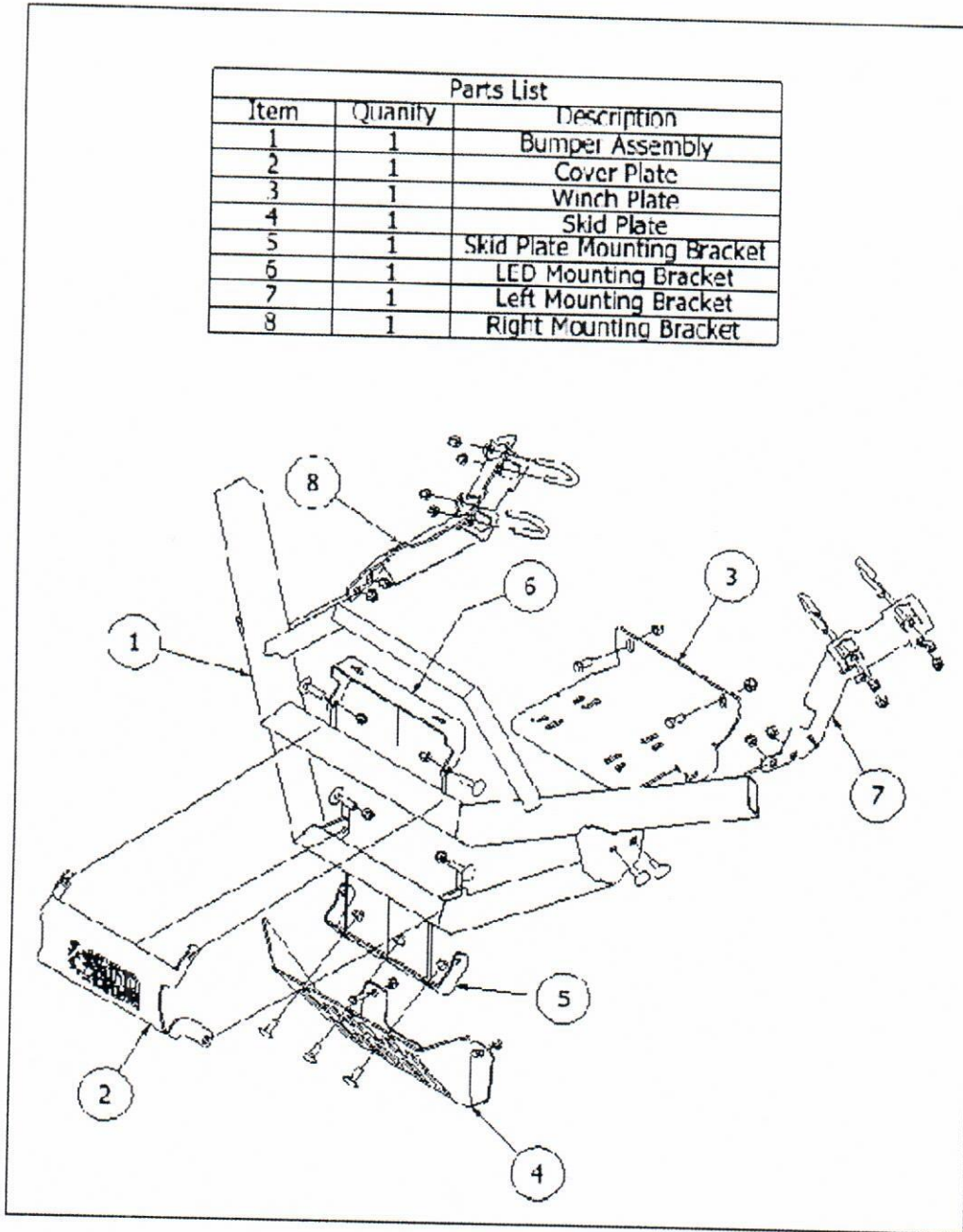
1. Locate and loosen four torx head bolts on face plastic piece (figure 1). Using the provided bolts (B1), locate the two coinciding holes at the bottom of plate on the frame (figure 2). Attach the skid plate (item 4) to matching holes, hand tighten bolts. It is recommended that you tighten the torx head bolts at this point before proceeding.
2. Locate the 1 3/4" frame tube above the shocks (figure 3). Using the provided "u" bolts (B5), attach the side mounting brackets (items 7, 8) to the 1 3/4" tube. Adjust the notch in the bracket to fit around the plastic hood (figure 4). Hand tighten bolts. Repeat this step on the opposite side.
3. Using the provided bolts (B3), install optional brackets to the center section of the bumper (figure 5). Any combination of these can be installed, but the skid plate mount bracket (item 5) **must** be installed.
  - a. Cover plate (item 2)
  - b. Winch plate (item 3)
  - c. Skid plate mounting bracket (item 5)
  - d. LED light mounting bracket (item 6)
4. If not using a winch plate (item 3), skip to step 5. If using the winch plate, you must remove the plastic grills and locate the two 1/2" holes located on the face plate (figure 2).
5. Using provided bolts (B3), install the bumper by first aligning the side mount brackets with matching holes and hand tighten bolts. **Note:** if using the winch plate (item 3), install the provided bolts (B6) into the matching 1/2" holes. Using the provided bolts (B2), align the skid plate mount bracket (item 5) with the matching holes in the skid plate (item 4) and install bolts. Replace top plastic grill.
6. After making sure all bolts are installed, adjust bumper and tighten all bolts. It is recommended that you start with the side mounting brackets (items 7, 8) tightening the "u" bolts first then working your way out.
7. Enjoy your new Bad Dawg bumper!

---

### HARDWARE LIST

B1. 5/16" X 3/4" hex head bolt with flat washer and serrated nut	X 2
B2. 3/8" x 3/4" carriage bolt with nut	X 3
B3. 3/8" x 1" carriage bolt with nut	X 6
B4. 3/8" x 1" hex head bolt with nut	X 2
B5. "U" bolt	X 4
B6. 1/2" x 1" hex head with nut	X 2

Parts List		
Item	Quantity	Description
1	1	Bumper Assembly
2	1	Cover Plate
3	1	Winch Plate
4	1	Skid Plate
5	1	Skid Plate Mounting Bracket
6	1	LED Mounting Bracket
7	1	Left Mounting Bracket
8	1	Right Mounting Bracket



**Figure 5.**



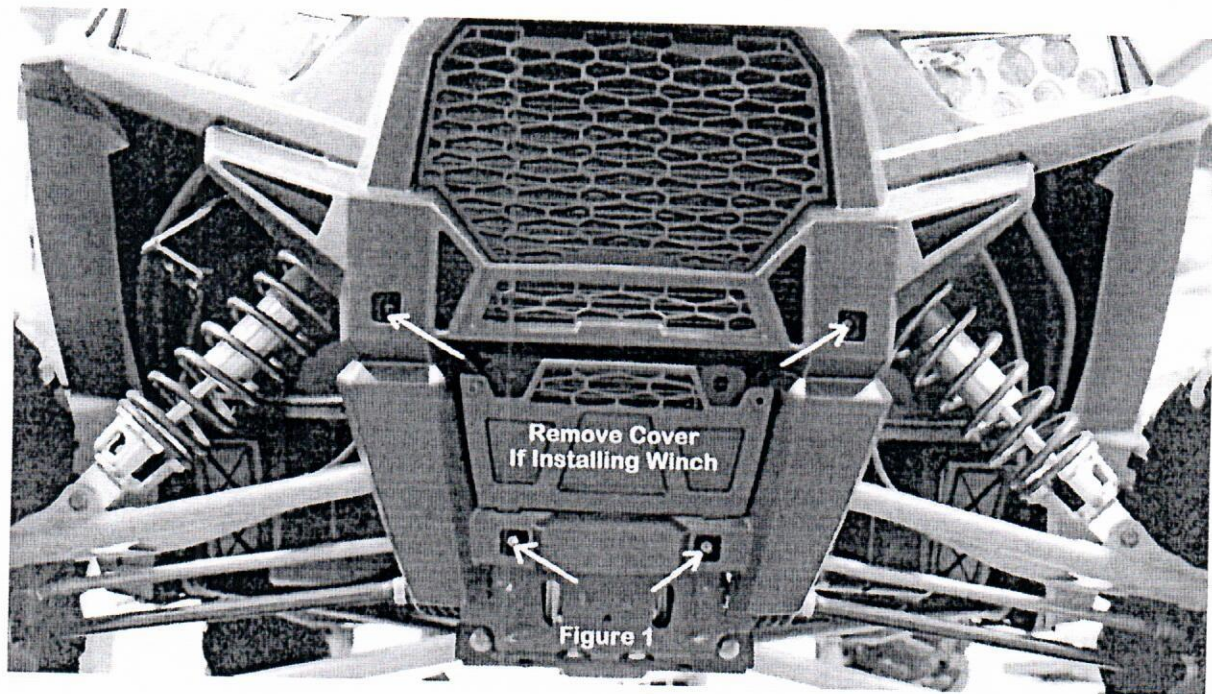


Figure 1

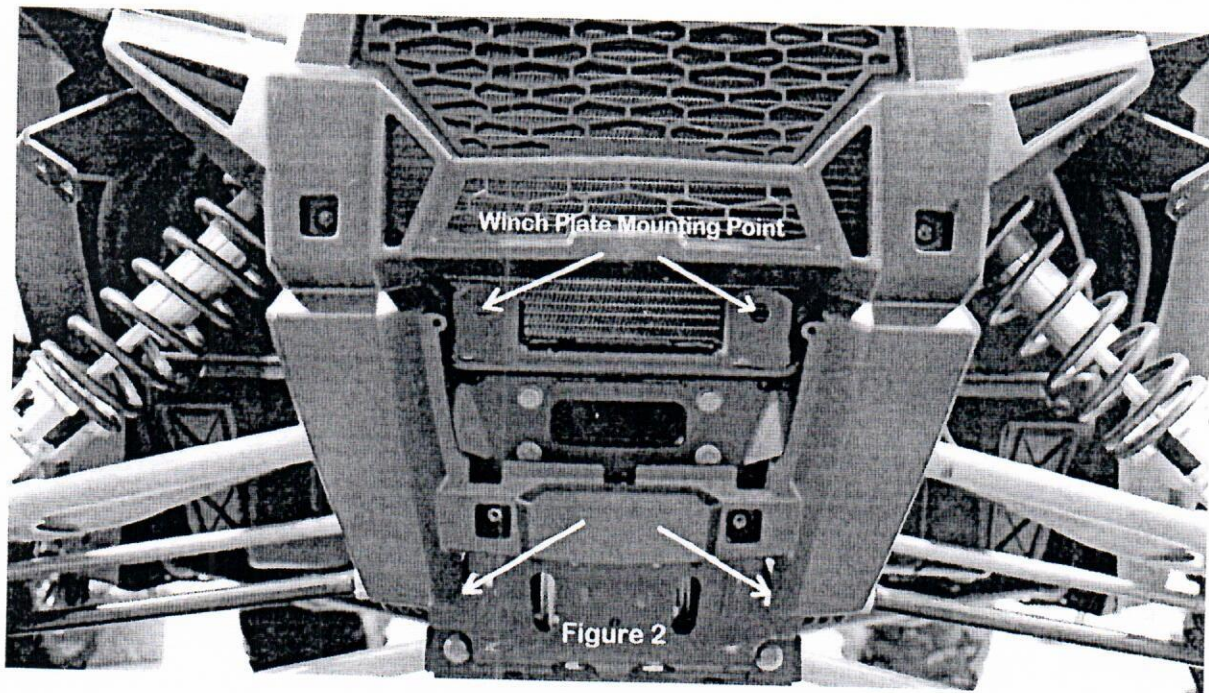


Figure 2