

# **POLARIS 570 FULL SIZE FRONT BUMPER INSTALLATION INSTRUCTIONS**

---

**NOTE: It is recommended that bolts remain "hand tight" until all bolts are installed.**

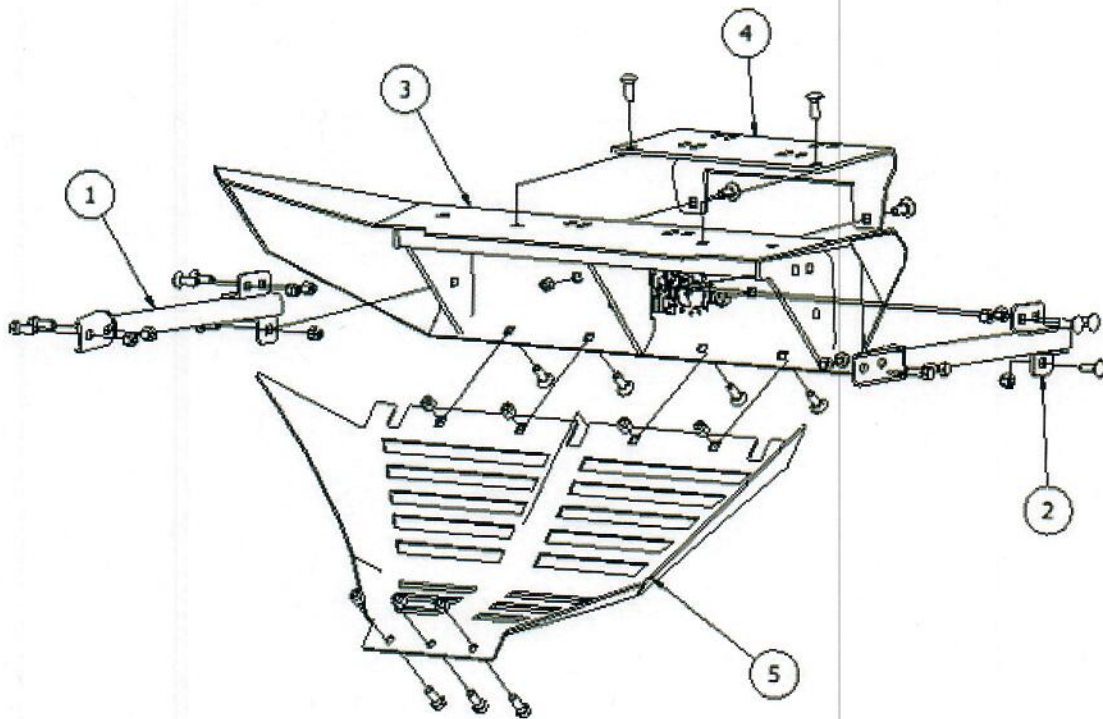
1. Remove factory bumper and the front plastic grill (figure 3). Retain factory mounting bolts; they will be needed to install the new bumper.
2. Attach the side mounting brackets (items 1 and 2) to the main bumper face (item 3) using the provided bolts (B2).
3. If installing a winch, bolt the winch to the winch plate (item 4) then, using provided bolts (B1), bolt this assembly to the main Bumper (item 1) (figure 1).
4. Install the assembly by attaching the side mount brackets (items 1 and 2) to the upper mounting holes located on the frame, just behind the radiator (figure 2a.). Align the corresponding holes and insert the factory bolts.
5. Attach the Skid Plate (item 5) to the Bumper (item 3) by placing the Skid Plate on the inside of the Bumper and aligning the corresponding holes. Insert bolts (B1).
6. Line the bottom portion of the Skid Plate with the corresponding holes on the bottom of the frame (figure 2b) and insert the remaining factory bolts.
7. Replace the factory grill with the provided metal grill.
8. Adjust for level and tighten all bolts.
9. Enjoy your new BAD DAWG bumper!

---

### **Hardware List:**

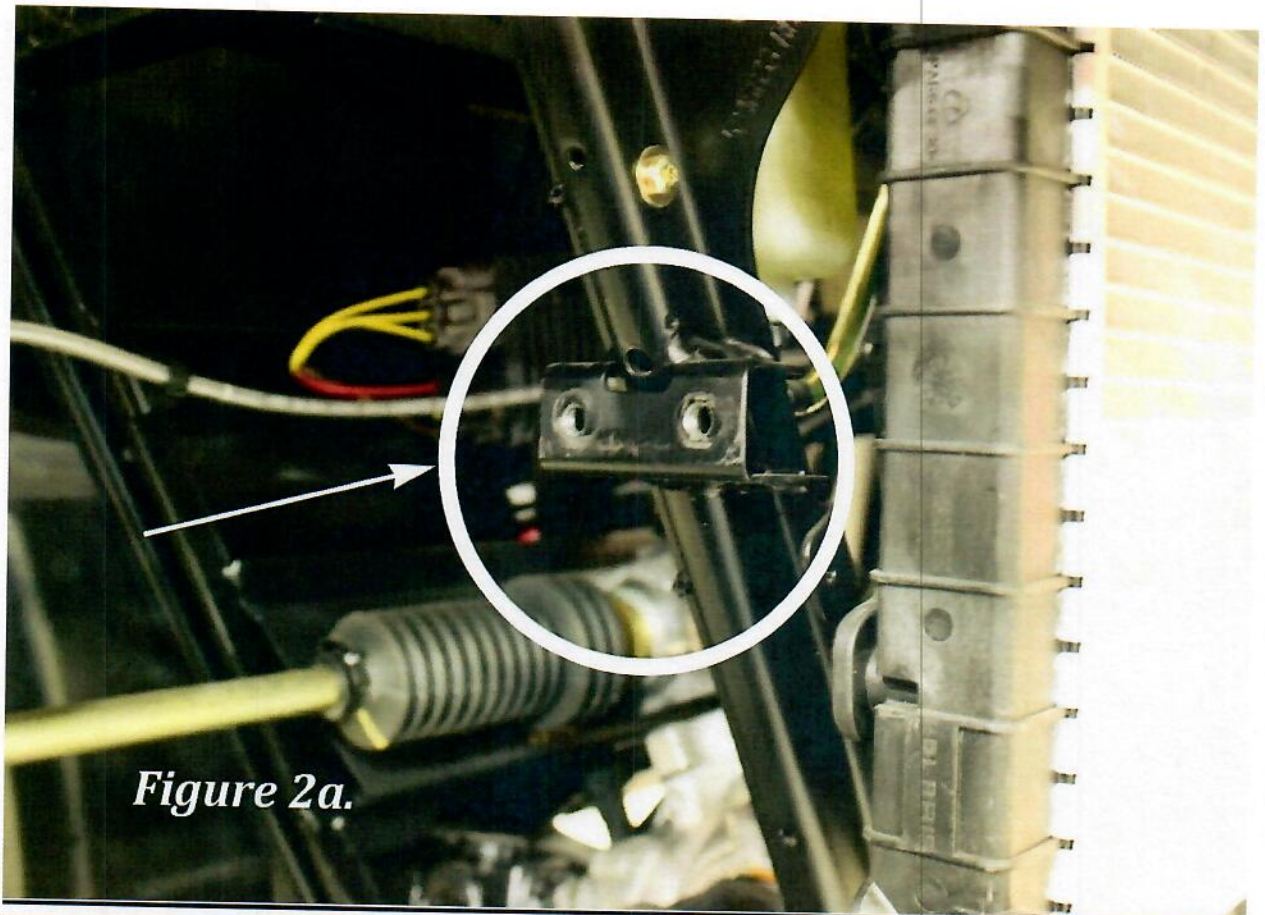
- |  |            |
|--|------------|
| <b>B1.</b> 3/8 X 1 Carriage Bolt (black) with Flanged Nylock Nut | <b>X 8</b> |
| <b>B2.</b> 3/8 X 1 Carriage Bolt (zinc) with Flanged Nylock Nut  | <b>X 6</b> |

Parts List		
ITEM	QTY	DESCRIPTION
1	1	Left Mounting Bracket
2	1	Right Mounting Bracket
3	1	Bumper
4	1	Winch Plate
5	1	Skid Plate

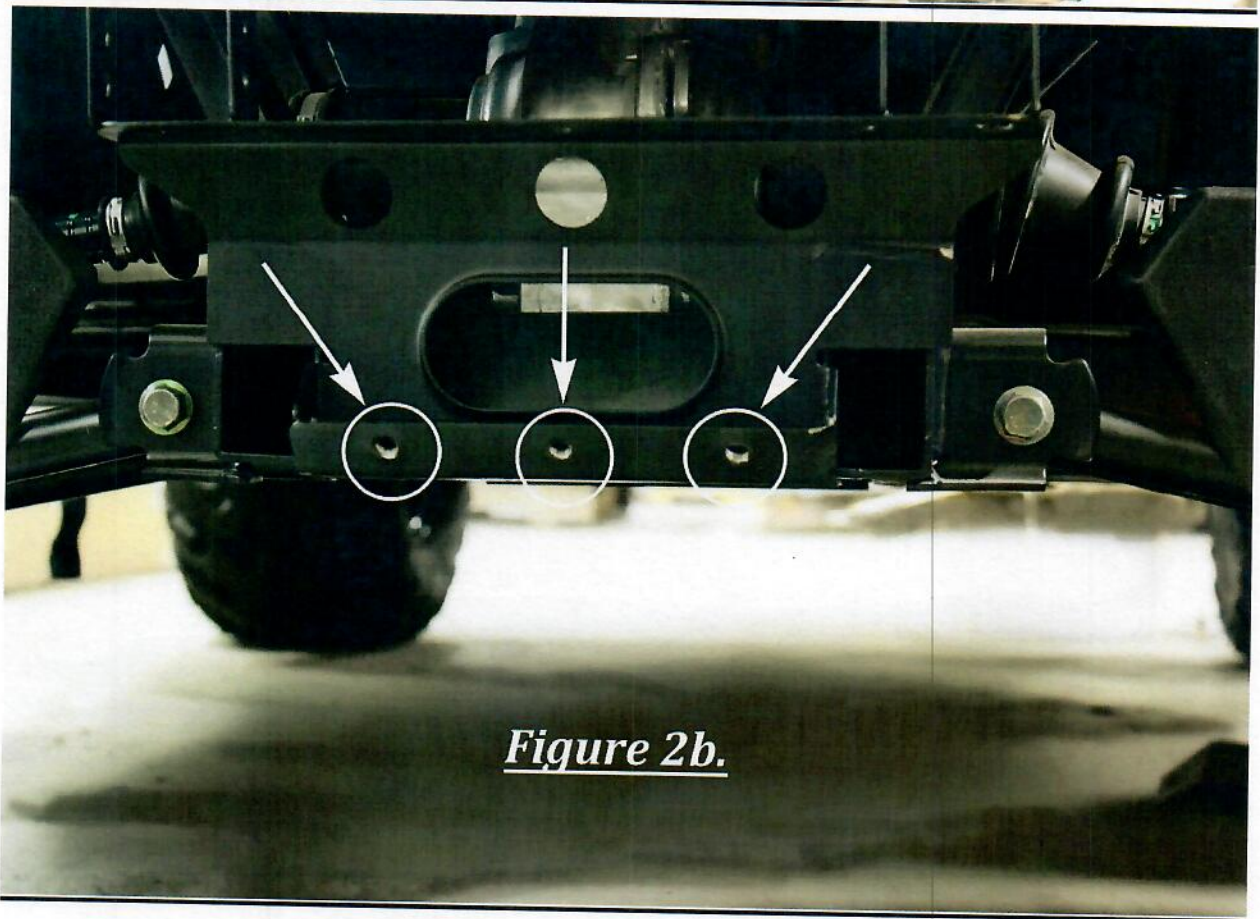


**Figure 1.**





*Figure 2a.*



*Figure 2b.*



*Figure 3*