

SEAT SWITCH					
Pos	CKT	GA	COL	Type	Term
1	21	18	TAN/ORG	GXL	2062573
2	17	18	TAN/RED	GXL	2062573

SEAT SWITCH
3145117

NEUT SW
3073872

NEUT SW						
Pos	CKT	GA	COL	Type	Term	Term. Mat.
A	22	18	TAN/YEL	GXL	2062573	-
B	20	18	TAN/RED	GXL	2062447	INIB

ATTACH AFTER INSPECTION
2 PLACES

LIGHT OPT CAP
3010973

LIGHT OPT ...		
Pos	CavPlug	
A	2010300	
B	2010300	

DECK LIFT OPT CAP
3010717

DECK LIFT ...		
Pos	CavPlug	
A	2010300	
B	2010300	
C	2010300	

NEUT SW 2
3073872

NEUT SW 2						
Pos	CKT	GA	COL	Type	Term	Term. Mat.
A	18	18	TAN/RED	GXL	2062573	-
B	20	18	TAN/RED	GXL	2062447	INIB

LIGHT OPT						
Pos	CKT	GA	COL	Type	Term	Seal
A	10	16	BLK	GXL	2010182	2015323
B	24	16	RED/BLU	GXL	2010182	2015323

DECK LIFT OPT
3015793

DECK LIFT OPT						
Pos	CKT	GA	COL	Type	Term	Seal
A	38	14	RED/BLK	GXL	-	2010182 2010293
B	39	14	BLK/RED	GXL	-	2010182 2010293
C	-	-	-	-	2010300	-

LIGHT OPT
3015792

GND					
Pos	CKT	GA	COL	Type	Term
1	6	10	BLK	GXL	2106010

GND
2106010
SHNK 3212250 X .75

TACH					
Pos	CKT	GA	COL	Type	Term
1	34	18	GRN/PUR	GXL	NO TERM

TACH
NONE

ENG						
Pos	CKT	GA	COL	Type	Term	Term. Mat.
2	13	18	GRN	GXL	2300218	IPIN
4	37	14	ORG/GRN	GXL	2300218	IPIN
5	32	18	YEL/BLK	GXL	2300218	IPIN
6	31	18	RED/BLK	GXL	2300218	IPIN

ENG
3100704

CLUTCH					
Pos	CKT	GA	COL	Type	Term
A	27	16	ORG/BLK	GXL	2062573
B	30	16	BLK/ORG	GXL	2062573

CLUTCH
3011979

BRAKE SW						
Pos	CKT	GA	COL	Type	Term	Term. Mat.
A	23	18	TAN/GRN	GXL	2062573	-
B	19	18	TAN/RED	GXL	2062447	INIB

BRAKE SW
3073872

AUX POS					
Pos	CKT	GA	COL	Type	Term
1	3	14	BLU	GXL	2155214

AUX GND					
Pos	CKT	GA	COL	Type	Term
1	9	14	BLK	GXL	2155214

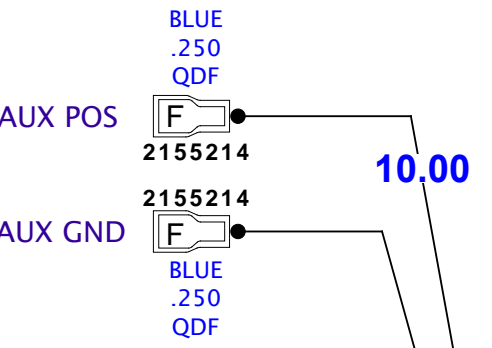
ENG FUSE					
Pos	CKT	GA	COL	Type	Term
1	33	14	RED	GXL	2180007
2	36	14	RED	GXL	2180007

AUX FUSE					
Pos	CKT	GA	COL	Type	Term
1	3	14	BLU	GXL	2180007
2	1	14	RED	GXL	2180007

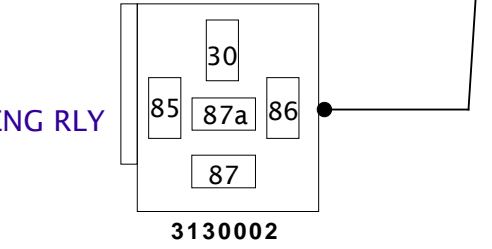
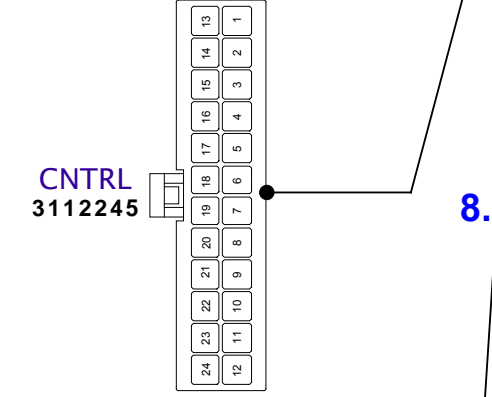
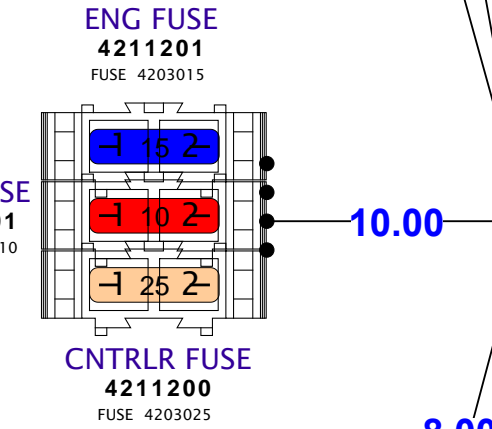
CNTRLR FUSE					
Pos	CKT	GA	COL	Type	Term
1	4	16	RED	GXL	LF 10-12
1	5	16	RED	GXL	-
2	2	10	RED	GXL	LF 10-12

CNTRL					
Pos	CKT	GA	COL	Type	Term
1	12	18	ORG/GRN	GXL	2310039
2	13	18	GRN	GXL	2310039
3	14	16	RED/BLK	GXL	2310078
5	15	16	BLK/RED	GXL	2310078
6	16	18	TAN/RED	GXL	2310039
7	24	16	RED/BLU	GXL	2310078
8	4	16	RED	GXL	2310078
9	25	16	ORG/BLK	GXL	2310078
10	26	16	ORG/BLK	GXL	2310078
11	28	16	BLK/ORG	GXL	2310078
12	7	16	BLK	GXL	2310078
13	31	18	RED/BLK	GXL	2310039
14	32	18	YEL/BLK	GXL	2310039
18	23	18	TAN/GRN	GXL	2310039
19	22	18	TAN/YEL	GXL	2310039
20	5	16	RED	GXL	2310078
21	21	18	TAN/ORG	GXL	2310039
22	34	18	GRN/PUR	GXL	2310039
23	29	16	BLK/ORG	GXL	2310078
24	8	16	BLK	GXL	2310078

ENG RLY					
Pos	CKT	GA	COL	Type	Term
30	36	14	RED	GXL	2302100
85	12	18	ORG/GRN	GXL	2302100
86	35	18	BLK	GXL	2302100
87	37	14	ORG/GRN	GXL	2302100



ATTACH FUSES AFTER INSPECTION



ATTACH RELAY AFTER INSPECTION

SPL-6			
Pos	CKT	GA	COL
L	38	14	RED/BLK
R	14	16	RED/BLK

SPL-2			
Pos	CKT	GA	COL
L	19	18	TAN/RED
R	16	18	TAN/RED
R	17	18	TAN/RED
R	18	18	TAN/RED

SPL-7			
Pos	CKT	GA	COL
L	39	14	BLK/RED
R	15	16	BLK/RED

SPL-1			
Pos	CKT	GA	COL
L	6	10	BLK
R	9	14	BLK
R	7	16	BLK
R	8	16	BLK
R	35	18	BLK

SPL-3			
Pos	CKT	GA	COL
L	27	16	ORG/BLK
R	25	16	ORG/BLK
R	26	16	ORG/BLK

SPL-4			
Pos	CKT	GA	COL
L	30	16	BLK/ORG
R	28	16	BLK/ORG
R	29	16	BLK/ORG

Length Tolerances
 -Unless Otherwise Specified-
 < 6.0"+0.50 -0.25"
 6.0" to 36.0"+1.00 -0.50"
 36.0" to 72.0"+2.00 -1.00"
 > 72.0"+3.0% -1.5%

Electrex
Hutchinson, Kansas

Property of Electrex, Inc. Drawing & information therein may only be used as authorized.
 Customer: **Intimidator Inc.**
 Cust. P/N: **486-0012-00**
 DWG Title: **KOHLER EFI**
 Our P/N: **9369015** Pg: 1 Of: 1
 Date: Thursday, May 19, 2016 2:13:26 PM
 Modified By: TW Rev: B

- NOTES:**
- Harness covering is BRAID
 - Harness dimensions are to back of connector or terminal.
 - Connectors shown from wire entry end, unless noted.
 - See circuit diagrams for details.