



INSTALLATION INSTRUCTIONS: Striping Kit

It is recommended that bolts remain "hand tight" until all bolts are installed.



Striping Mat



Striper Brace



Striper Brace Bracket



Striping Mat Brackets



Hardware Kit



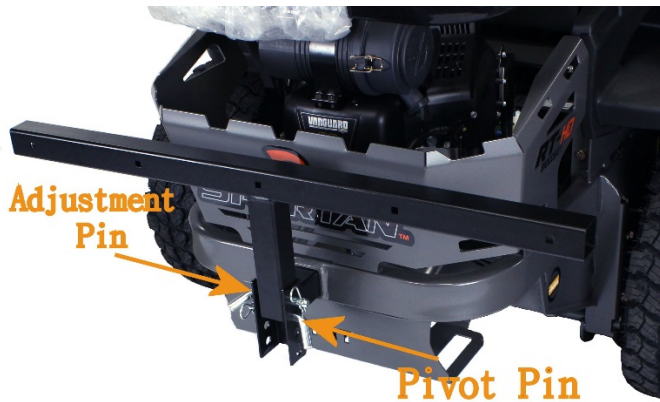
INSTALLATION INSTRUCTIONS: *Striping Kit*

STEP 1



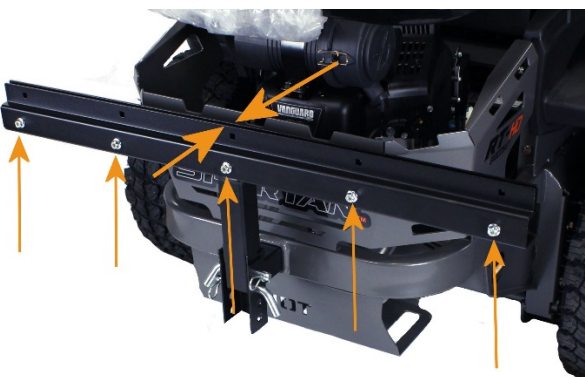
- Place the Striper Brace Bracket into the rear receiver with the longer side pointing up as shown here.

STEP 2



- Using the provided hitch pins, install the Striper Base in the “travel” position.

STEP 3



- Using the provided 3/8 x 2 3/4 carriage bolts, bolt in both sides of the Striping Mat Brackets.
- The holes to be used in this step are slotted.

NOTE: Leave the bolts loose to make the next step easier.



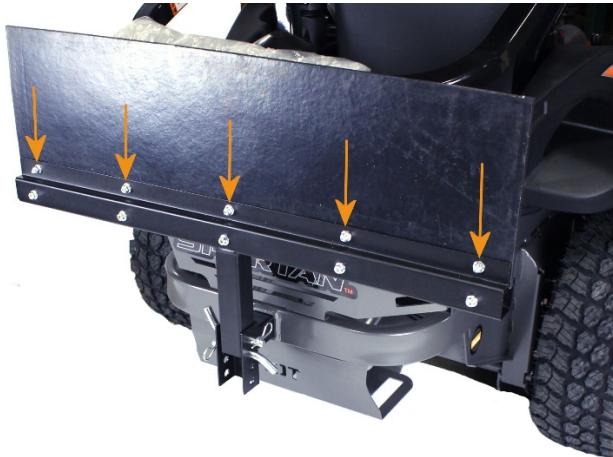
INSTALLATION INSTRUCTIONS: *Striping Kit*

STEP 4



- Set the Striping Mat in place aligning the precut holes in the brackets with the hole guides cut into the mat.
- Use a 7/16" drill bit to drill the aligned holes.

STEP 5



- Use the remaining bolts to secure the Striping Mat to the Striping Mat Brackets.

STEP 6



- Set the Striper into "striping" position.

NOTE: Adjust the mat height to desired level before use.