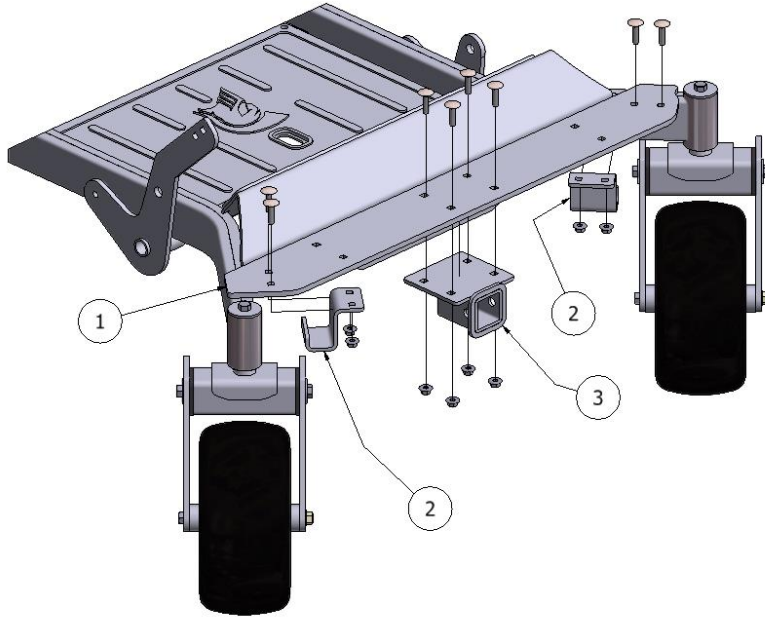




INSTALLATION INSTRUCTIONS: *Front Receiver Hitch*

It is recommended that bolts remain "hand tight" until all bolts are installed.



<i>ITEM #</i>	<i>QNTY</i>	<i>DESCRIPTION</i>
1	1	Base Plate
2	2	Clamp
3	1	Receiver Hitch

Hardware:

- 8- 3/8"x1-1/2" Carriage Bolt
- 8- Nylock Nut

STEP 1

1. Place the Base Plate (item 1) over the frame tubes as shown in the illustration, leaving about 1/2" between the foot rest and the Base Plate.
2. Notice the arched cut out on one end of the Base Plate. Set the plate on the tube so that the cut out is on the left side of the machine.

STEP 2

1. Bring the Clamps (item 2) from the bottom and align with the corresponding holes in the Base Plate.
2. Secure using the provided bolts.

STEP 3

1. Place the Receiver Hitch (item 3) over the center of the base plate with the flanged portion facing out toward the front, and align the corresponding holes. This item can be placed on the top or bottom of the base plate, according to the user's preference.
2. Secure using the provided bolts.

STEP 4

1. Make any necessary adjustments to square the Base Plate and tighten all the bolts. We suggest an electric or pneumatic impact wrench to tighten.