



INSTALLATION INSTRUCTIONS:

It is recommended that bolts remain "hand tight" until all bolts are installed.

Hardware List:

- B1.** 3/8" X 2 1/2" carriage bolt w/flanged nylock nut **X 4**
- B2.** 3/8" x 3/4" carriage bolt (black) w/flanged nylock nut **X 4**

STEP 1

Locate the main support tubes underneath the bed. Hold brackets (items 2, 3) in desired position and mark the holes to be drilled. Drill two-3/8" holes. **Note: it is recommended that you remove all bolts in the bottom of the bed as to drill a level hole underneath.**

STEP 2

Install the two brackets (items 2, 3) (figure 1) with the flanges facing outward, using the provided bolts (B1).

STEP 3

Place bumper (item 1) on mounting brackets by aligning flange holes with the pre drilled holes in the bumper. Using the provided bolts (B2), bolt together the bumper and brackets.

STEP 4

Adjust and tighten all bolts.

STEP 5

Enjoy your new Bad Dawg rear bumper!

INSTALLATION INSTRUCTIONS:

Parts List		
ITEM	QTY	DESCRIPTION
1	1	Left Mounting Bracket
2	1	Right Mounting Bracket
3	1	Bumper

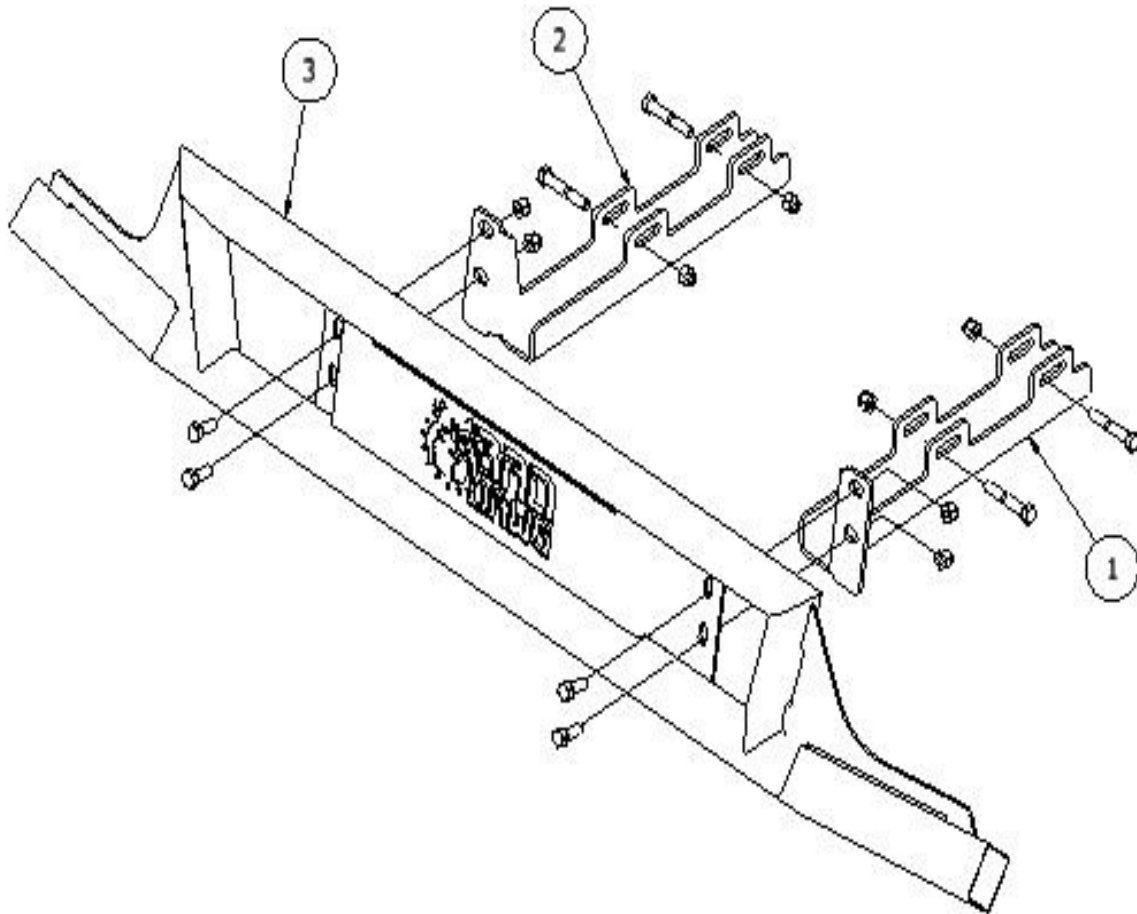


Figure 1.

INSTALLATION INSTRUCTIONS:

