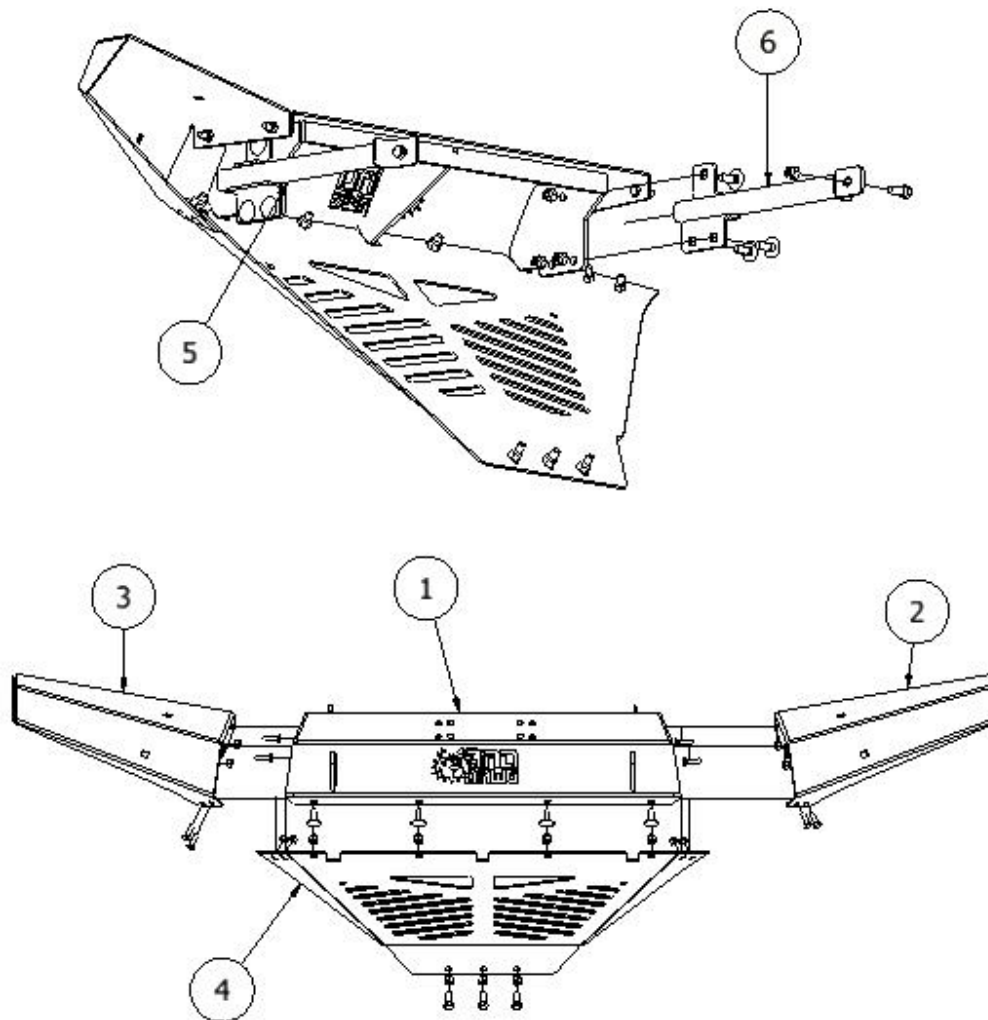


**INSTALLATION INSTRUCTIONS: Kawasaki  
Mule FXT Front Bumper**

*It is recommended that bolts remain "hand tight" until all bolts are installed.*

Table		
ITEM	QTY	DESCRIPTION
1	1	Bumper Face
2	1	Left Wing
3	1	Right Wing
4	1	Skid Plate
5	1	Left Mount
6	1	Right Mount





**INSTALLATION INSTRUCTIONS: *Kawasaki Mule FXT Front Bumper***

**HARDWARE LIST:**

**B1.** 3/8 x 1 Carriage Bolt (black) with flanged Nylock Nut \_\_\_\_\_ X 4

**B2.** 3/8 x 1 Carriage Bolt (zinc) with flanged Nylock Nut \_\_\_\_\_ X 6

**B3.** 5/16 x 3/4 Hex Head Bolt (zinc) with flanged Nylock Nut \_\_\_\_\_ X 4

**B4.** 5/16 x 3/4 Carriage Bolt (black) with flanged Nylock Nut \_\_\_\_\_ X 4

**STEP 1**

Remove the stock bumper but retain the factory mounting bolts (they will be needed to install the new bumper).

**STEP 2**

Install the Right and Left Mounts (items 5, 6) using the factory bolts, according to the illustrations (figure 1 and figure2). With these particular mounts, tighten enough so that they remain erect, but still are able to move a bit.

**STEP3**

Using provided bolts (B1), attach the Skid Plate (item 4) to the Bumper Face (item 1) according to the illustration (figure 1).NOTE: The Skid Plate rests on the inside of the bumper face, this is necessary for future bolt hole line-up.

**STEP 4**

Attach the previous assembly (items 1, 4) to the Right and Left Mounts with the provided bolts (B2). Also, using the three remaining factory bolts, attach the bottom of the Skid Plate to the factory mounting position (figure3).

**STEP 5**

Attach the Right and Left Wings (items 2, 3) to the Bumper Face (item 1) by first securing the top, inside flanges using provided bolts (B3). Then insert the remaining bolts (B4) into the bottom side by aligning the corresponding holes (figure 1). Keep in mind, the Skid Plate (item 4) rests on the inside of both the Bumper Face and the Side Wings. NOTE: It may be necessary to use some manner of line-up tool to align the bottom holes.

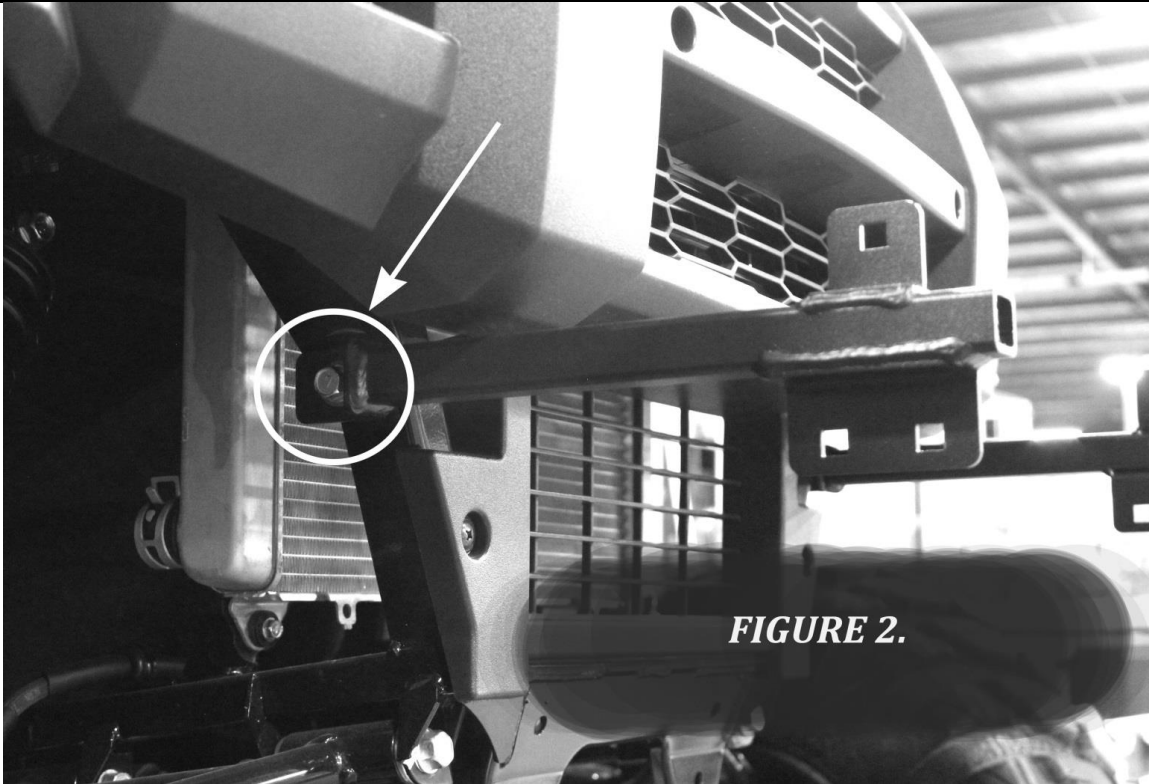
**STEP 6**

Adjust the bumper to desired position and tighten all bolts.

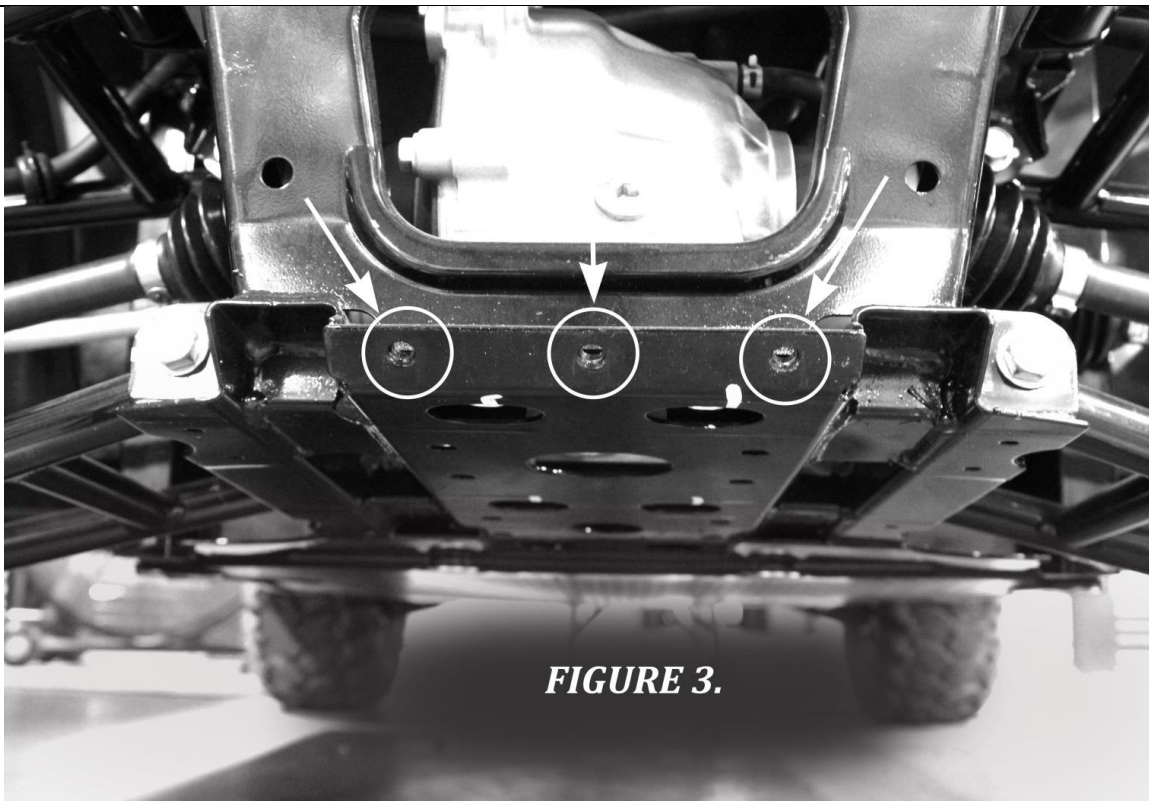
**STEP 7**

Enjoy your new BAD DAWG bumper!

**INSTALLATION INSTRUCTIONS: *Kawasaki***  
***Mule FXT Front Bumper***



**FIGURE 2.**



**FIGURE 3.**