



## ***INSTALLATION INSTRUCTIONS: Intimidator Front Basket***

---

***It is recommended that bolts remain "hand tight" until all bolts are installed.***

---

### **Hardware Kit:**

<b>B1.</b>	3/8"-16 x 2" HEX C/S (GR.8) Bolt with flanged Nylock nut	<b>X 4</b>
<b>B2.</b>	5/16"-18 x 1-3/4" HEX C/S (GR.8) Bolt with flat washer and Nylock nut	<b>X 4</b>
<b>B3.</b>	3/8"-16 x 1" CARRIAGE BOLT with flanged Nylock nut	<b>X 4</b>

---

1. Locate the connecting bolts on the front, lower end of the roll cage (two each side) (figure 1). Remove the two connecting bolts and discard. Using the provided bolts (B1) and provided spacers (item4), install the side mounting brackets (item 3) to the roll cage according to the illustration (figure1). Be sure to replace the mesh door bracket in the order shown in figure 1. Repeat on the other side.
2. Using provided bolts (B2), attach the front support brace (item2) to the main basket (item 1, figure2).
3. Insert the lower portion of the front support brace (item 2) into the front receiver hitch located on the machine.
4. Using the provided bolts (B3), align the mounting holes on the basket (item 1) with the matching holes on the side mounting brackets (item3) and install the bolts (figure2). Align the holes in the receiver hitch and install the hitch pin and retaining pin.
5. When all bolts are installed, adjust and tighten all bolts.
6. Enjoy your new Bad Dawg front basket!

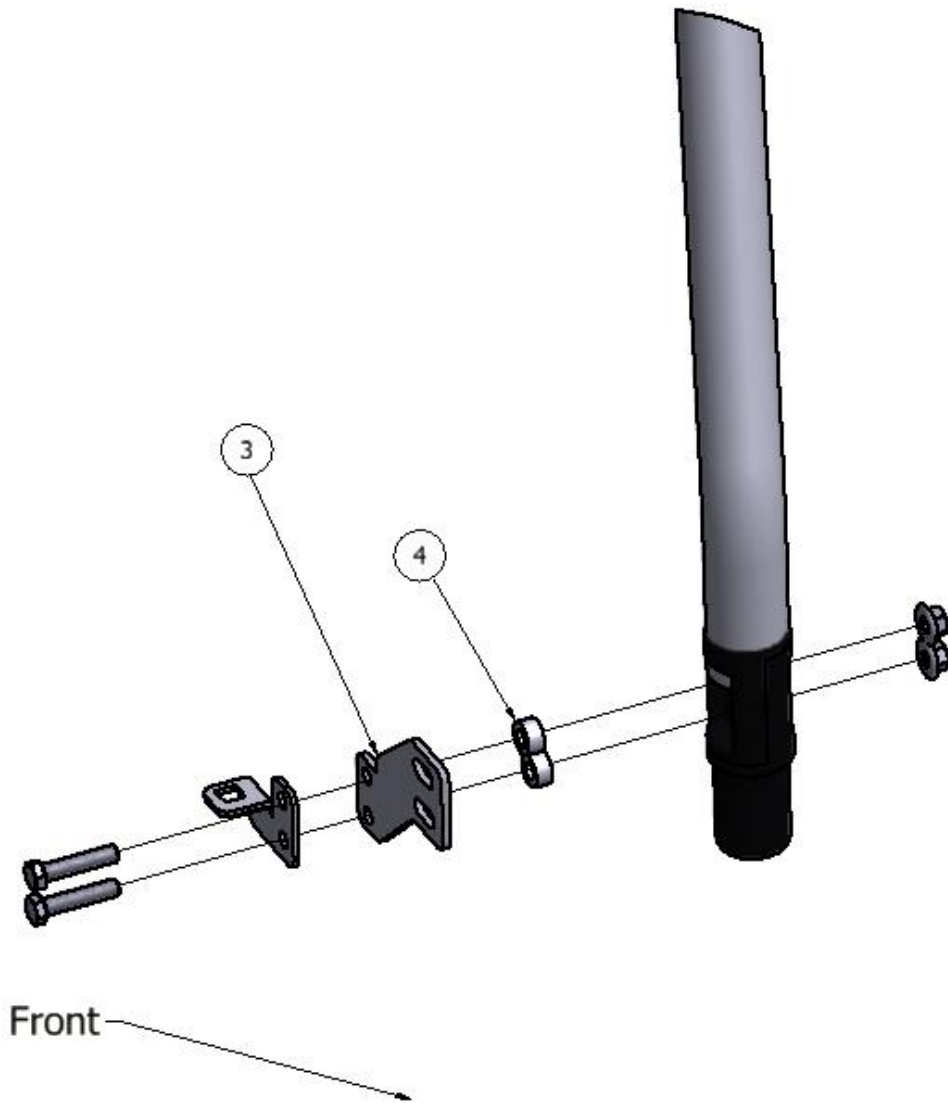
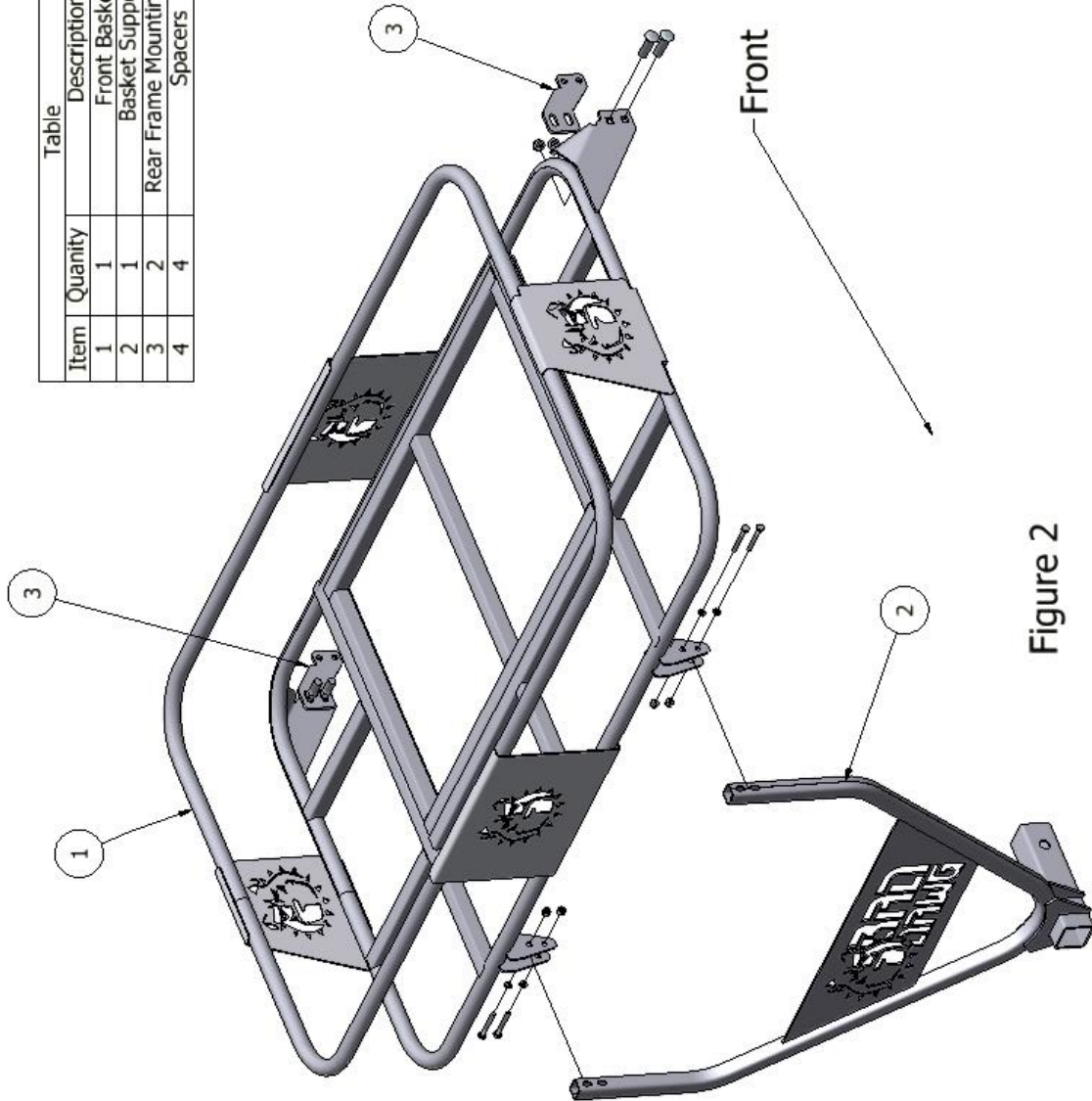


Figure 1

**INSTALLATION INSTRUCTIONS: Intimidator Front Basket**

Table	
Item	Description
1	Front Basket
2	Basket Support
3	Rear Frame Mounting Bracket
4	Spacers



**Figure 2**

**Figure 2**