

TABLE OF CONTENTS

TABLE OF CONTENTS	1
ACCESSORIES	4
AXLE IDENTIFICATION	5
<i>SPECIFICATIONS</i>	<i>6</i>
AXLES.....	7
BEARINGS	7
SEALS	8
HUBS.....	9
HUB KITS	10
<i>Hub Kit #300-031804.....</i>	<i>11</i>
<i>Hub Kit #300-020883.....</i>	<i>12</i>
<i>Hub Kit #300-031807.....</i>	<i>13</i>
<i>Hub Kit #300-020892.....</i>	<i>14</i>
<i>Hub & Drum Kit #300-031803</i>	<i>15</i>
<i>Hub and Drum Kit #300-020890.....</i>	<i>16</i>
BRAKES.....	17
ACTUATORS	17
ACTUATOR PARTS	18
BACKING PLATES.....	20
BATTERY BOX.....	21
BRAKES FLUSH KITS.....	21
BRAKE PADS.....	21
ELECTRIC BRAKE COMPONENTS	22
BRAKE HOSES	22
BUNK BRACKETS.....	23
BUNK MOUNTING GEAR	23
BUNKS/LDGD'S	24
CHANNEL GLIDE COVERS	24
<i>CHANNEL GLIDES.....</i>	<i>24</i>
CROSSMEMBERS	25
FENDERS	27
PLASTIC FENDERS AND TAILLIGHT COVERS	28
FENDER STEPS.....	29
KEEL ROLL.....	31
KEEL ROLL PADS	31
KEEL ROLL COMPONENTS	32
KEEL ROLL ASSEMBLIES	35
<i>300-015452</i>	<i>35</i>
<i>300-015453</i>	<i>35</i>
KEEL ROLL ASSEMBLIES	36
<i>300-021260</i>	<i>36</i>
<i>300-021259</i>	<i>36</i>
KEEL ROLL ASSEMBLIES	37
<i>300-015500</i>	<i>37</i>
<i>300-025017</i>	<i>37</i>
KEEL ROLL ASSEMBLIES	38
<i>300-025588-10.....</i>	<i>38</i>
LIGHTING	39
3-LIGHT BAR	39

GROMMETS	40
HARNES AND CONNECTORS	41
LENS.....	41
SIDE MARKER LIGHTS	42
TAIL LIGHTS.....	43
LOAD GUIDES.....	45
BUNK LOAD GUIDE ASSEMBLIES	45
300-020632.....	46
300-021572.....	46
BUNK LOAD GUIDE ASSEMBLIES	47
300-024592.....	47
300-023168.....	47
BUNK LOAD GUIDE ASSEMBLIES	48
300-022289.....	48
300-021570.....	48
BUNK LOAD GUIDE ASSEMBLIES	49
300-020637.....	49
300-021571.....	49
BUNK LOAD GUIDE ASSEMBLIES	50
300-020636.....	50
300-024594.....	50
BUNK LOAD GUIDE ASSEMBLIES	51
300-027041.....	51
ROLLS.....	52
ROLL ARM ASSEMBLIES	52
ROLL ARM ASSEMBLIES	54
300-010590.....	54
300-010591.....	54
ROLL ARM ASSEMBLIES	55
300-011724.....	55
300-021944.....	55
ROLL ARM ASSEMBLIES	56
300-022026.....	56
300-022101.....	56
ROLL ARM ASSEMBLIES	57
300-022213.....	57
300-022214.....	57
ROLL ARM ASSEMBLIES	58
300-022345.....	58
300-022346.....	58
ROLL ARM COMPONENTS.....	59
CHANNELS	60
SPRINGS	61
HANGERS.....	63
MAINTENANCE KITS.....	64
TIRE AND WHEELS.....	65
SPARE TIRE CARRIER.....	65
WHEELS	65
<i>Note: Below is a list of EZ Loader Wheel Sizes:</i>	66
TONGUES.....	67
SWING TONGUES	67
COUPLERS	67
U-BOLTS AND FASTENERS.....	68
U-BOLTS.....	68
NUTS/LOCKNUTS	68

WINCH STANDS	69
WINCHES, STRAPS, CABLES, HANDLES	70
WINCHES	70
WINCH STRAPS	71
WINCH HANDLES	71
NOTES	72

ACCESSORIES



A



B



C



D



E



F



G



H



I



J



K



L

<i>Part Number</i>	<i>Description</i>	<i>Remarks</i>
A	250-029692 JACK TNG (2500# SQUARE W/FOOT)	
B	250-026880 JACK SPOK TNG (2000# ROUND W/ FOOT)	
C	250-022276 JACK TNG SWIVEL 1000#	
D	300-029705 JACK TNG (1000# W/HDWR 2X3)	
E	300-029706 JACK TNG (1000# W/HDWR 3X3)	
F	300-029707 JACK TNG (1000# W/HDWR 3X4)	
G	300-029709 JACK TNG (2500# SQ W/HDWR)	
H	250-029692 JACK TNG (5000# SQ W/HDWR)	
I	290-024383 PIN 5/8X8.06" SWING TNG LOCK	
J	290-024384 LOCK 5/8" PIN	
K	250-010896 PLATE BENT TIEDOWN (.69 HOLE)	PLATED ONLY
L	250-015327-10 STRAP BENT FOOT TNG	GALVANIZED ONLY



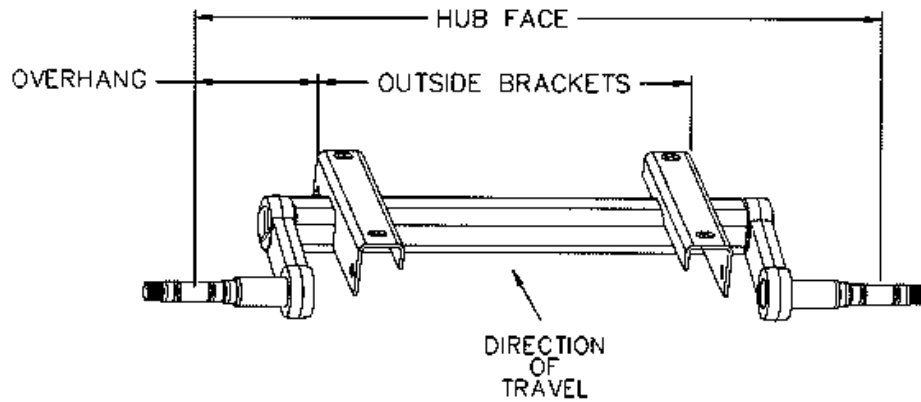
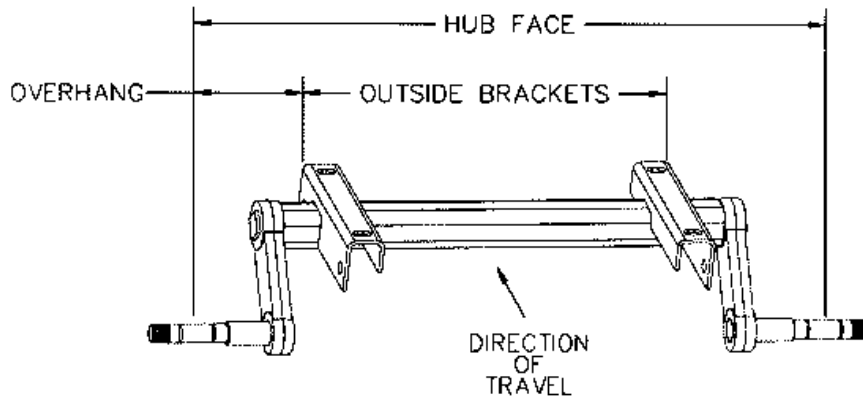
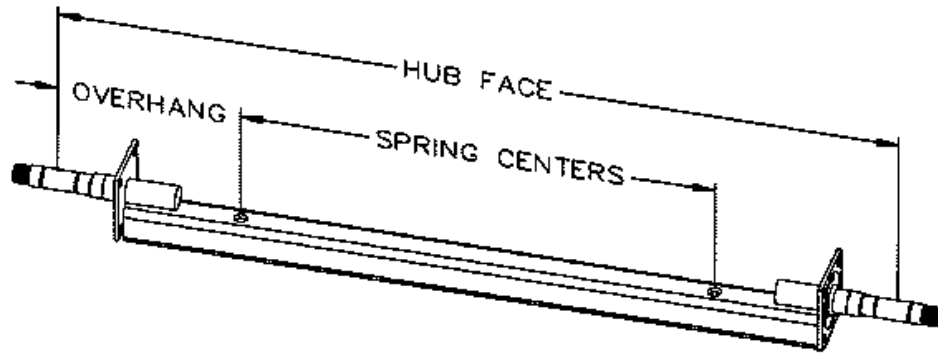
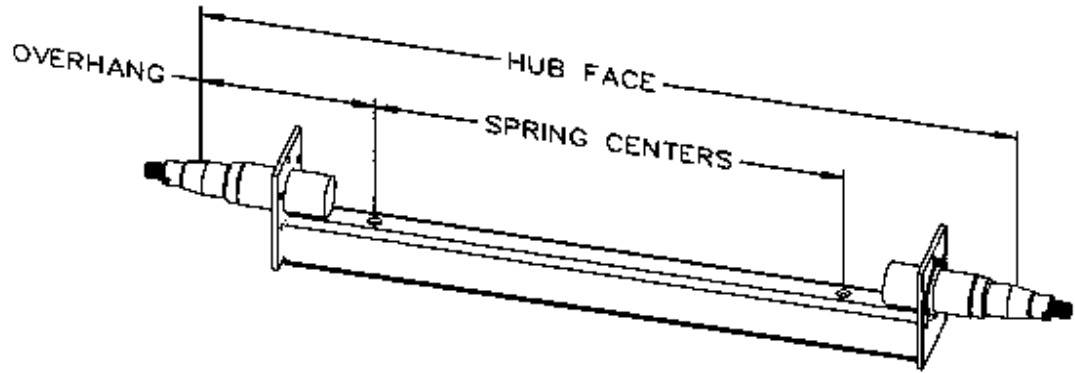
M



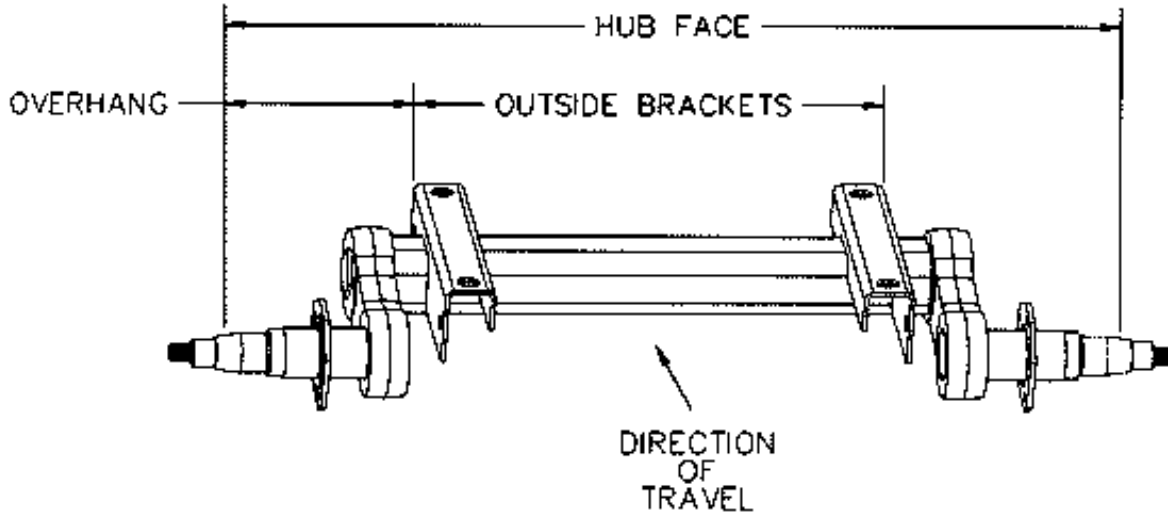
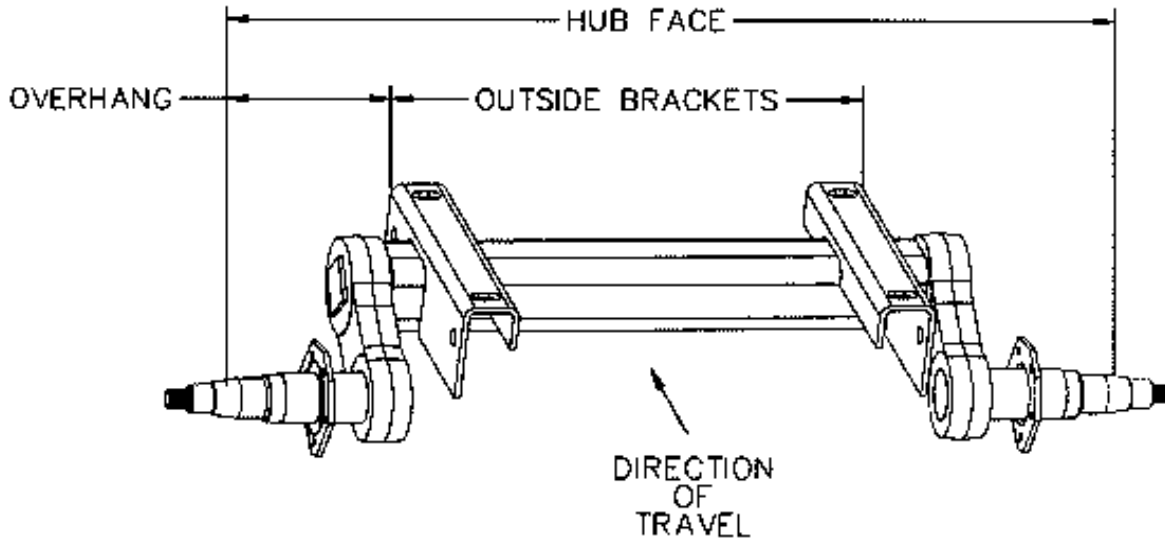
N

<i>Part Number</i>	<i>Description</i>	<i>Remarks</i>
M	250-013086 WHEELBOLT POLY TJ FULTON (6811S00)	6" 1976-12/98
N	300-013086 WHEELBOLT POLY TJ FULTON (6811S00)	8" 1/99 – present

AXLE IDENTIFICATION



AXLE IDENTIFICATION



Specifications

Code	Description
SC	Spring Centers
N/B	No Brake Flange
SL	Sure Lube
W/BP	with Bearing Protector
HFL	Hub Face Length
FC	Frame Center

Because EZ Loader has offered many different axles, to correctly order the right replacement, contact us with VIN / Serial number and/or measurements from above axles.

AXLES

BEARINGS



A



B



C



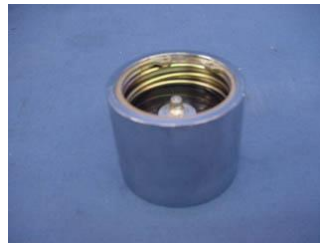
D



E



F



G



H

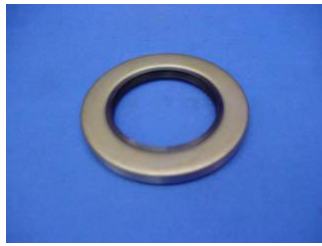
	<i>Part Number</i>	<i>Description</i>	<i>Remarks</i>
A	250-031474	BEARING #L44649	1 1/6" ID
B	250-031475	BEARING WHL #LM67048	1 1/4" ID
C	250-031477	BEARING WHL #L68149	1 3/8" ID
D	250-031478	BEARING WHL #25580	1 3/4" ID
E	250-028360	BEARING WHL #15123H	KODIAK 12" DISC BRAKE 2000-2004
F	250-011487	CAP BEARING PROTECTOR 1.98	FITS 5-LUG HUBS
G	250-027463	CAP BEARING PROTECTOR 2.441	FITS 6-LUG HUBS
H	250-021705	CAP W/ZIRK SURE LUBE 3500# AXLE OBS	FITS 5-LUG HUBS 1990-2001

AXLES

SEALS



A



B



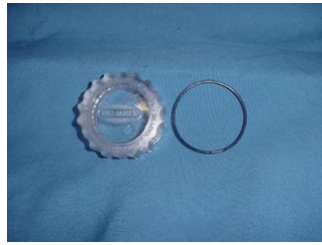
C



D



E



F



G



H



E



F



G



H

	Part Number	Description	Remarks
A	250-015208	SEAL (#12194TC)	Feb1990-Present
B	250-020844	SEAL (#21334TC) 6H & 8H	Feb1990-Present
C	250-031467	SEAL (#21325TB) 6H (12-89/#748)	1976-1989
D	250-031468	SEAL (#168255TC)	1980-Present
E	250-031463	SEAL (#13194TB) 5H (2-90/#747)	1980-Jan 1990
F	250-029202	CAP OIL BATH BT/UHI W/O-RING	2005 – Present
G	250-031620	CAP AL OIL BATH H/HD1000 HUB W/O-RING	2005 – Present
H	250-031621	CAP AL OIL BATH H/HD1206 HUB W/O-RING	2005 – Present
I	250-029201	O-RING BT/UHI (obs)	2005 – Present
J	250-029203	O-RING HRM (obs)	2005 – Present

AXLES

HUBS



A



B



C



D



E



F



G



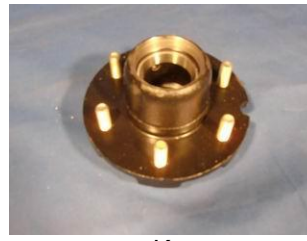
H



I



J



K

	Part Number	Description	Remarks
A	250-019101	HUB&DRUM 8.5" 5H #15405 W/STUDS	Pontoon Trailers to 2004
B	250-020889	HUB&DRUM 12" 6H #512060300(2 STEP BORE)	1990 To 2004
C	250-031432	HUB 5H #1-150A-03-00	Strait Spindle 1976-2004
D	250-031438	HUB 5H #1-1000-03-00	Tapered Spindle 5H 1976-2004
E	250-041330	HUB&DRUM 10" 5H #5-1000-03-00	Tapered Spindle 5H 1976-2004
F	250-029199	HUB&DRUM 10" 5H OIL	2005-Present
G	250-029200	HUB&DRUM 12" 6H OIL	2005-Present
H	250-029193	HUB 5H BT150 OIL	Pontoon 2005-Present
I	250-029194	HUB 5H BT150A OIL	2005-Present
J	250-029195	HUB 5H H1000 OIL	2005-Present
K	250-029196	HUB 6H OIL	2005-Present

AXLES

HUB KITS



A



B



C



D



E



F



G



H



I



J



K

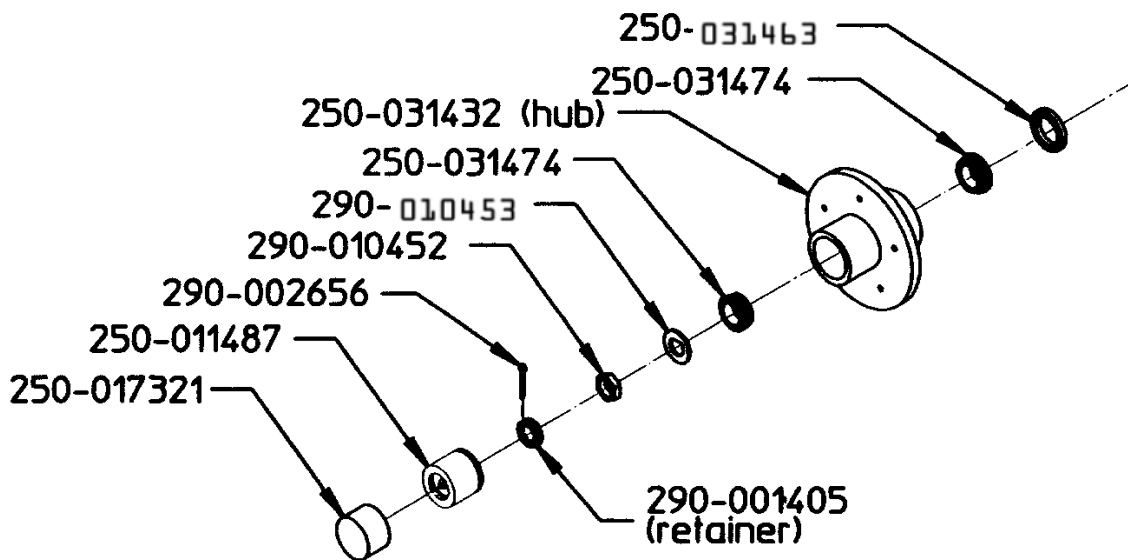


L

	Part Number	Description	Remarks
A	300-020890	HUB&DRUM KIT 12" 6H W/BP	6H Hyd 1990-2001
B	300-031803	HUB&DRUM KIT 10" (HD1000) W/BP	5H Hyd 1976-2004
C	300-031804	HUB KIT BT150A (C1463 SEAL) W/BP	8,12,13" WHLS 1976-1981
D	300-031807	HUB KIT H1000 W/BP 5H	5H NB 1976-2004
E	300-020883	HUB KIT BT150A (C15208 SEAL) W/BP	8,12,13" WHLS 1982-2004
F	300-020884	HUB KIT BT151A (C15208 SEAL) W/BP	14" WHLS Feb 1990-2004
G	300-020892	HUB KIT (WITH LUG BOLTS NOT STUDS)	6H NB 1990-2004
H	300-029538	HUB&DRUM KIT 12" OIL	2005-Present
I	300-029537	HUB&DRUM KIT 10" OIL	2005-Present
J	300-029535	HUB KIT 6H OIL	2005-Present
K	300-029533	HUB KIT BT150A OIL	2005-Present
L	300-029534	HUB KIT H1000 OIL	2005-Present

AXLES

Fits all '76-'81 Sprints And All Other No-Brake 5-Hole Hubs
For Use With 8, 12 or 13" Wheels, '76 through 1-90 W/Straight Spindle



Hub Kit #300-031804

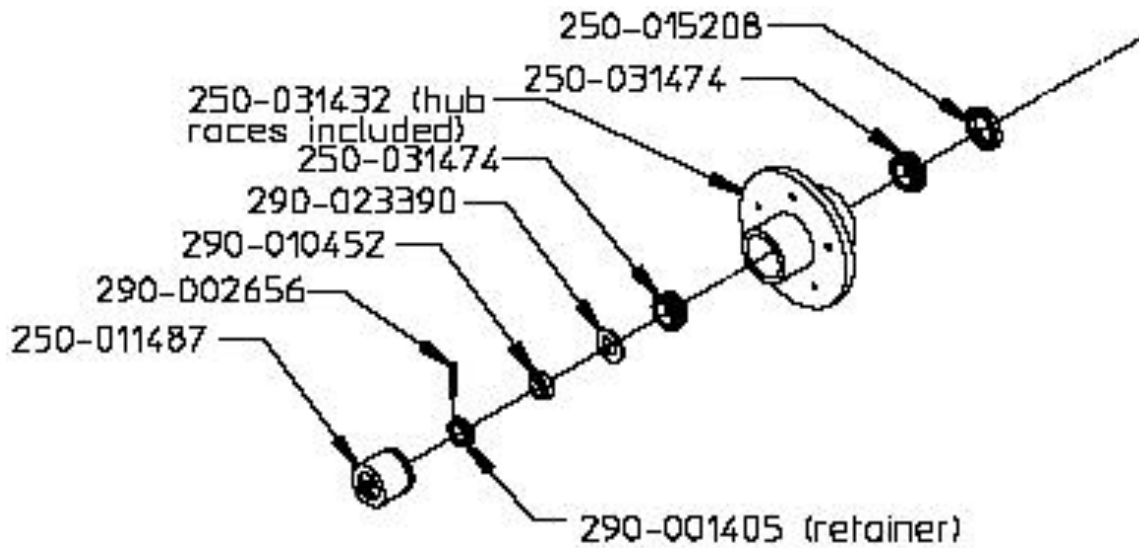
<i>Part#</i>	<i>Description</i>
300-031804	1) Hub Kit (which includes items 2-10)
290-031564	2) Lug Nut (5 included) (Not shown)
250-011487	3) Cap Bearing Protector 1.98"
290-002656	4) Cotter Pin (5/32 x 1-1/8")
290-001405	5) Retainer
290-010452	6) Nut Hub
290-010453	7) Washer TNG'D
250-031474	8) Bearing outer/inner #L44649 (2 included)
250-031432	9) Hub W/Races #BT15OA
250-031463	10) Seal NOK AB1990E-0487, or NAT482163, or 13194 VB

Accessories

<i>Part#</i>	<i>Description</i>
250-031483	11) Race outer/inner # L44610
300-015905	13) Wheel Bearing Kit (not shown) (which includes 4,8,10 and 2 ea of 12)
300-015968	14) Hub Mtg Kit (not shown) (which includes 1 each of items: 4,5,6, and 7)

AXLES

Fits All No Brake 5 Hole Hubs w/Straight Spindle 1350# and up
12" & 13" wheels from Feb 1990 on



Hub Kit #300-020883

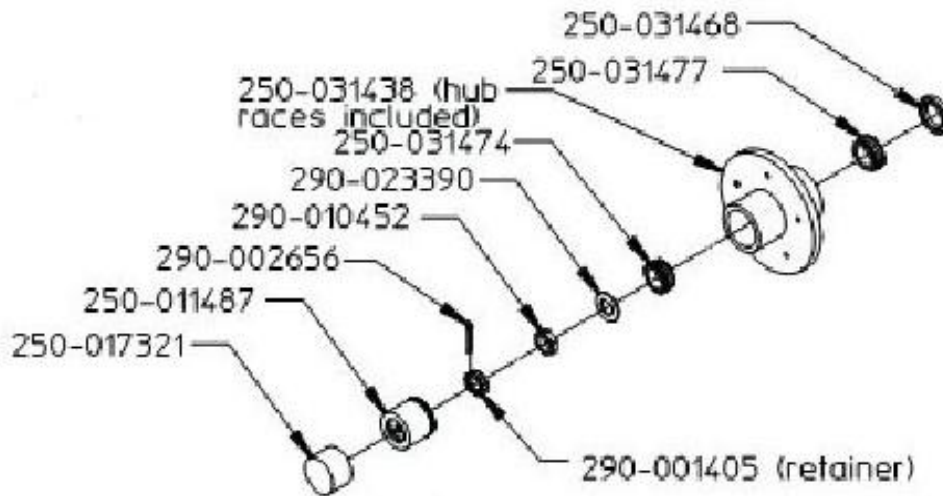
Part#	Description
300-020883	1) Hub Kit (which includes items 2-10)
290-031564	2) Lug Nut (5 included) (Not shown)
250-011487	3) Cap Bearing Protector 1.98"
290-002656	4) Cotter Pin (5/32 x 1-1/8")
290-001405	5) Retainer
290-010452	6) Nut Hub
290-023390	7) Washer
250-031474	8) Bearing outer/inner #L44649 (2 included)
250-031432	9) Hub w/Races #BT15OA
250-015208	10) Seal #12192VB or 12194TC, or NAT 471750

Accessories

Part#	Description
250-031483	11) Race outer/inner #L44610
300-020885	13) Wheel Bearing Kit (not shown) (which includes 4,6,8,10 and 2 ea of 12)
300-015968	14) Hub Mtg Kit (not shown) (which includes 1 each of items: 4,5,6, and 7)

AXLES

Fits All No Brake 5-Hole Hubs With Either Stepped UHI Spindles
 Spindle sleeve standard through Jan 1990
 Spindle sleeve not required Feb 1990 on



Hub Kit #300-031807

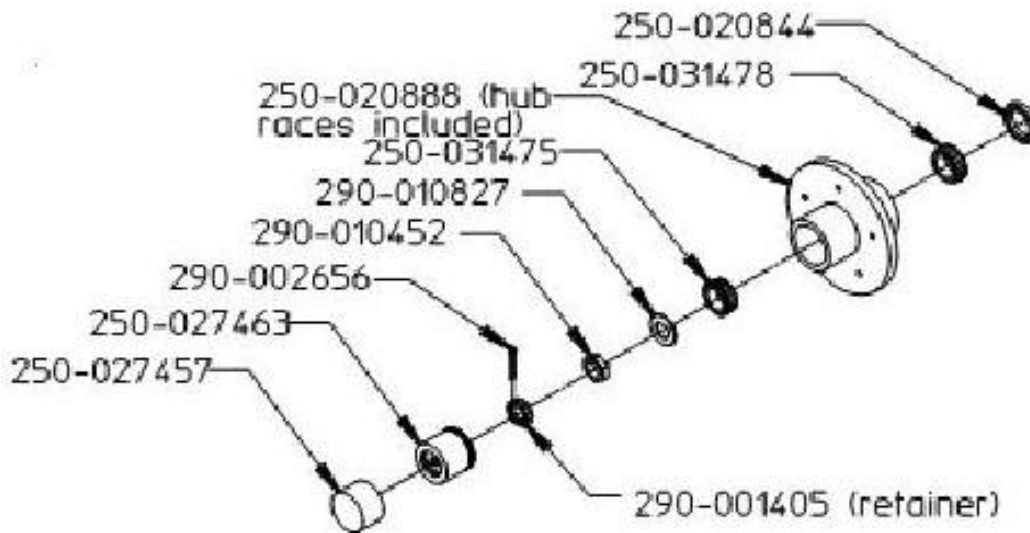
<i>Part#</i>	<i>Description</i>
300-031807	1) Hub Kit (which includes items 2-11)
290-031654	2) Lug Nut (5 included) (Not shown)
290-002656	3) Cotter Pin 5/32 x 11/8"
290-001405	4) Retainer
290-010452	5) Hub Nut
290-023390	6) Washer
250-031474	7) Bearing (outer) #L44649
250-031438	8) Hub w/Races #H1000
250-031477	9) Bearing Inner #L68149
250-031468	10) Seal NOK UDO 135-E0 NAT 470460 or 168255TB or 168255TC (rubberized)
250-011487	11) Cap Bearing Protector 1.98"

Accessories

<i>Part#</i>	<i>Description</i>
250-031483	12) Race (outer) #L44610
250-031486	13) Race (inner) #L68111
300-015907	15) Wheel Bearing Kit (not shown) (which includes 3,7,9,10,12 & 13)
300-015968	16) Hub Mtg Kit (not shown) (which includes 3,4,5,6 & 6)

AXLES

(Also replaces C-1810)
 Fits All No Brake 6-Hole Hubs
 W/stepped Sure Lube Spindle Feb 1990 On

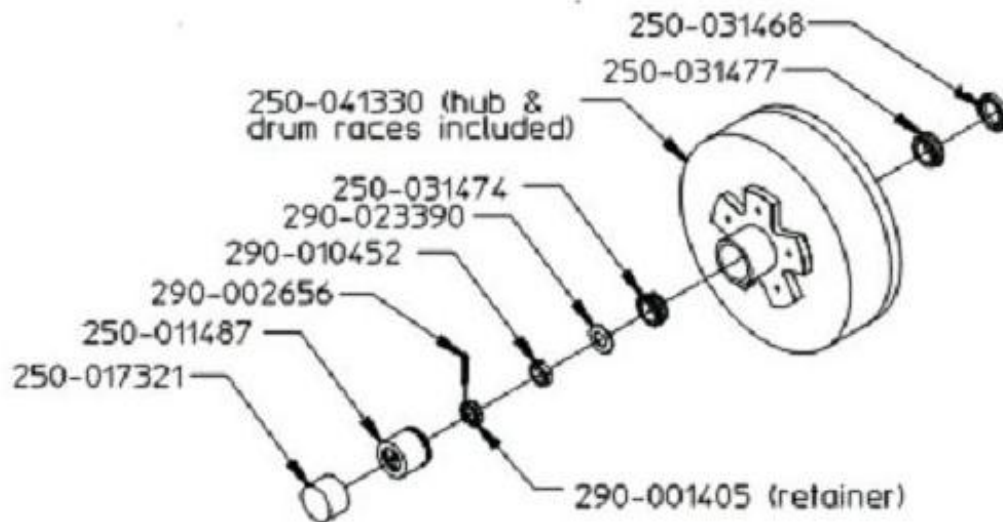


Hub Kit #300-020892

<i>Part#</i>	<i>Description</i>
300-020892	1) Hub Kit (which includes items 2-11)
290-031573	2) Lug Bolt (6 included) (Not shown)
290-002656	3) Cotter Pin (5/32 x 1-1/8")
290-001405	4) Retainer
290-010452	5) Nut Hub
290-010827	6) Washer Heavy
250-031475	7) Bearing (outer) #LM67048
250-020888	8) Hub w/Races #H1200
250-031478	9) Bearing (inner) #25580
250-020844	10) Seal 21334TC
250-020841	11) Cap Bearing Protector 6 H Sure Lube
250-031484	12) Race (outer) #L67010
250-031487	13) Race (inner) #L25520
300-020895	15) Wheel Bearing Kit (not shown) which includes items: 3,7,9,10,12, and 13

AXLES

Fits All 10" 5-Hole Hubs w/Brakes



Hub & Drum Kit #300-031803

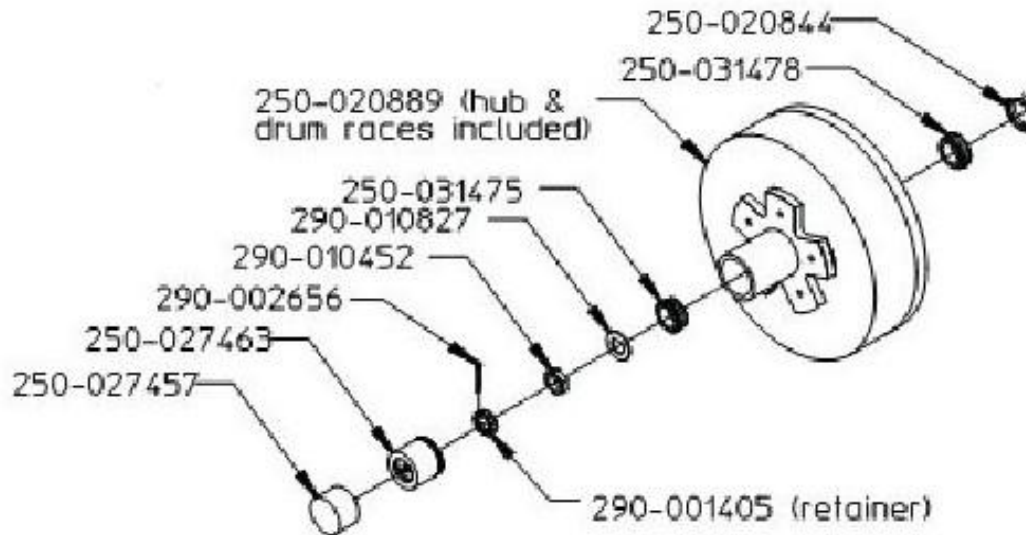
Part#	Description
300-031803	1) Hub & Drum Kit (which includes items 2-11)
290-031564	2) Lug Nut (5 included) (Not shown)
290-002656	3) Cotter Pin (5/32 x 1-1/8")
290-001405	4) Retainer
290-010452	5) Nut Hub
290-023390	6) Washer
250-031474	7) Bearing (outer) #L44649
250-041330	8) Hub & Drum w/Races HD1000
250-031477	9) Bearing (inner) #L68149
250-031468	10) Seal NOK UDO135-EO or NAT#470460, or 168255 TB or 168255TC (rubberized)
250-011487	11) Cap Bearing Protector 1.98"

Accessories

Part#	Description
250-031483	12) Race (outer) #L44610
250-031486	13) Race (inner) #L68111
250-015781	16) Back Plate (left) HYD 10" Galv
250-015782	17) Back Plate (right) HYD 10" Galv
250-011487	20) Bearing Protector 1.98" (not shown)
300-015907	21) Wheel Bearing Kit (not shown) (which includes items: 3,7,9,10,12, and 13)
300-015968	22) Hub Mtg Kit (not shown) (which includes 1 each of items: 3,4,5 and 6)
300-028408-10	KIT HYD BK 10"/1 PER AXLE GREASE(OBS) GALVANIZED ONLY(not shown)
300-029693-10	KIT HYD BK 10"/1 PER AXLE OIL GALVANIZED ONLY(not shown)
300-033610	Brake Flush Kit 1 per axle (not shown)

AXLES

(Also replaces C-1806) Fits Sure Lube 12" 6H Hubs w/Brakes Feb 1990 on



Hub and Drum Kit #300-020890

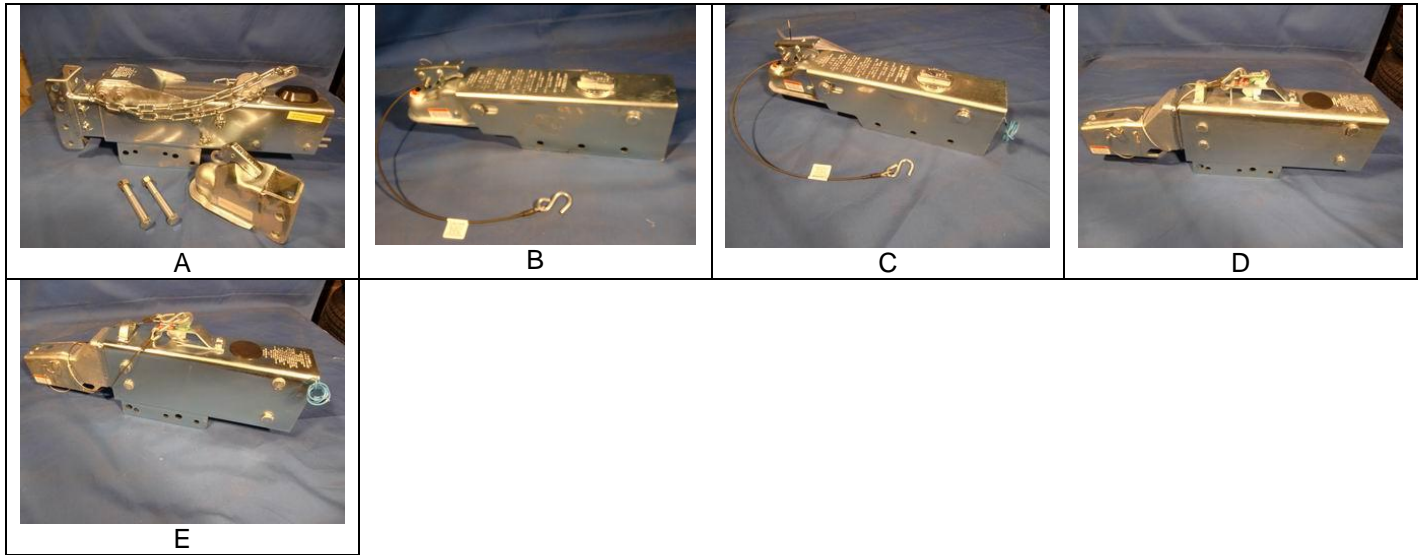
<i>Part#</i>	<i>Description</i>
300-020890	1) Hub & Drum Kit (which includes items 2-11)
290-031564	2) Lug Nut (6 included) (Not shown)
290-032656	3) Cotter Pin (5/32 x 1-1/8")
290-031405	4) Retainer
290-010452	5) Nut Hub
290-010827	6) Washer Heavy
250-031475	7) Bearing (outer) #LM67048
250-020889	8) Hub & Drum w/Races #5-1206-03-00
250-031478	9) Bearing (inner) #25580
250-020844	10) Seal 21334TC
250-020841	11) Cap Bearing Protector 6H Sure Lube

Accessories

<i>Part#</i>	<i>Description</i>
250-031484	12) Race (outer) #L67010
250-031487	13) Race (inner) #L25520
250-015783	16) Back Plate (left) HYD 12" Sgl. Marine
250-015784	17) Back Plate (right) HYD 12" Sgl. Marine
300-020895	27) Wheel Bearing Kit (not shown) (which includes 1 each of items: 3,7,9,10,12 and 13)
300-015969	28) Hub Mtg Kit (which includes 1 each of items: 3,4,5 and 6)
300-033610	31) Brake Flush Kit 1 per axle (not shown)

BRAKES

ACTUATORS



	Part #	Description	Remarks
A	250-028135	ACTUATOR HYD DISC 20,000# W/ADJ BALL MT	
B	250-031631	ACTUATOR HYD DRUM 7500# 1/2"H	
C	250-031632	ACTUATOR HYD DISC 7500# W/SOLENOID 1/2"H	
D	250-032579	ACTUATOR HYD 16000#	
E	250-032817	ACTUATOR HYD DISC 16000# 3X W/SOLENOID	

BRAKES

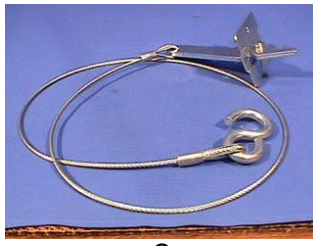
ACTUATOR PARTS



A



B



C



D



E



F



G



H



I



J



K



L



M



N



O



P



Q



R



S



T



U

	Part #	Description	Remarks
A	250-017421	KIT SHOCK ABS REPLACEMENT ATWOOD	Atwood 6000 actuator
B	250-017423	CAP (SCREW IN) ATWOOD #87478	Atwood 6000 actuator
C	250-017745	CABLE W/HOOK & BRK LEVER MOD (60- #46238)	Dico model 60
D	250-017747	CAP & SEAL RING KIT MOD 60-#480701	Dico model 60
E	250-017749	SHOCK ABSORBER MOD 60-#23362F	Dico model 60
F	250-017750	COUPLER KIT MOD 10-#18487	Dico model 10
G	250-017751	SHOCK ABSORBER MOD 10-#12426	Dico model 10
H	250-017752	FILLER CAP REPLACEMENT DICO 10/20- #12503	Dico model 10 & 20
I	250-017746	KIT M/CYL REPL MODEL 60-#43951	Dico Model 60
J	250-017781	CABLE EMERGENCY BRAKE KIT (ATWOOD)	Atwood 6000
K	250-020912	KIT M/CYL REPL MODEL 10/20 #23744	Dico Model 10 & 20
L	250-031973	CAP LOCKOUT UPGRADE UFP	UFP A-75
M	250-031975	MASTER CYLINDER UFP (DISC) 7000#	UFP A-75 DISC
N	250-031976	SHOCK ABSORBER UFP 7000#	UFP A-75
O	250-031977	CABLE BREAK AWAY UFP 7000#	UFP A-75
P	250-031978	MASTER CYLINDER UFP (DRUM) 7000#	UFP A-75 DRUM
Q	250-017754	CYLINDER COVER MOD 10/20 #15070	Dico Model 10 & 20
R	250-021751	BRK MASTER CYL DICO #10271 (7500# ACT)	Dico Model 6
S	250-021753	COVER DICO #18066 (7500# ACT)	Dico Model 6
T	250-021752	CAP W/GSKT M/CYL DICO #17556 (7500# ACT)	Dico Model 6
U	250-028113	VALVE BACKUP SOLENOID 7500-28806 DIST	Dico Model 10 & 20 Disc

BRAKES

BACKING PLATES



A



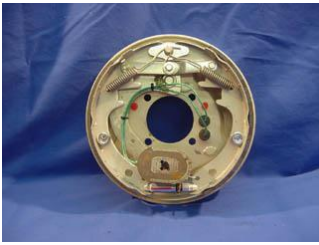
B



C



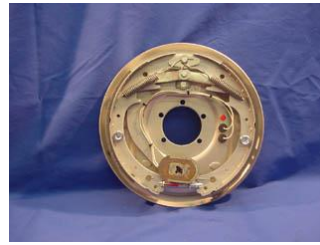
D



E



F



G



H

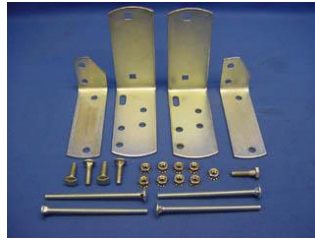
	Part #	Description	Remarks
A	250-015781	BACK PLT HYD 10" (LT)(GALV)	Fulton
B	250-015782	BACK PLT HYD 10" (RT)(GALV)	Fulton
C	250-015783	BACK PLT HYD 12" SGL (LT)(GALV)	Fulton
D	250-015784	BACK PLT HYD 12" SGL (RT)(GALV)	Fulton
E	250-027247-10	BACK PLT ELE 10" LT	GALV ONLY
F	250-027248-10	BACK PLT ELE 10" RT	GALV ONLY
G	250-027250-10	BACK PLT ELE 12" LT	GALV ONLY
H	250-027251-10	BACK PLT ELE 12" RT	GALV ONLY

BRAKES

BATTERY BOX



A



B

	Part #	Description	Remarks
A	300-028522	BATTERY BOX COMPLETE W/CHARGER & SWITCH	
B	300-027319	BATTERY BOX MTG KIT UNIVERSAL	

BRAKES FLUSH KITS



A

	Part #	Description	Remarks
A	300-033610	BRK KIT FLUSH HYD DRUM (1 PER AXLE ASM)	Fresh Water Flush

BRAKE PADS



A

	Part #	Description	Remarks
A	250-029521	PADS DISC BRAKE 10 & 12" Reliable	2005 – Present

BRAKES

ELECTRIC BRAKE COMPONENTS



A



B



C



D

	Part #	Description	Remarks
A	250-027205	CNCTR PGTL 4'6" (7 WAY PLUG)	
B	250-033331	HARNESS ELECTRIC BRAKE MAIN LINE 22'	
C	250-033797	HARNESS ELE BK AXLE 74"	
D	250-033333	HARNESS ELE BK AXLE JUMPER 42"	

BRAKE HOSES



A



B



C



D



E



F



G



H

	Part #	Description	Remarks
A	250-022660	HOSE HYD TRSN 16" (M-M)	
B	250-041438	HOSE HYD 24" (M-M)	
C	250-026782	TEE 3/16" BRASS W/OUT MTG HOLE	
D	250-010140	HOSE HYD 24" (M-F)	
E	250-010492	TUBING HYD 3/16X.028" 17 1/2" (A/G)	
F	250-022657	TUBING HYD 3/16X.028" 57" (A/G)	
G	250-022658	TUBING HYD 3/16X.028" 63" (A/G)	
H	250-022659	TUBING HYD 3/16X.028" 12" (A/G)	

BUNK BRACKETS

BUNK MOUNTING GEAR



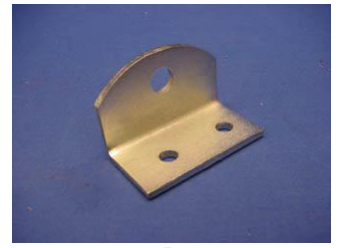
A



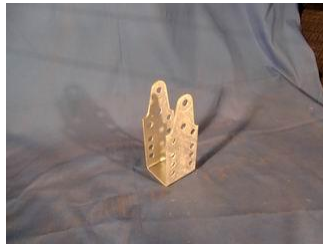
B



C



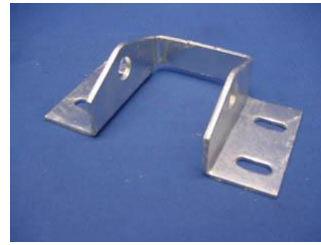
D



E



F



G



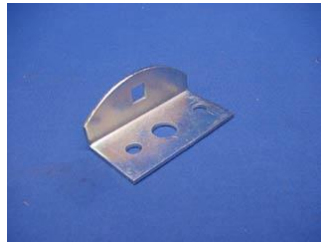
H



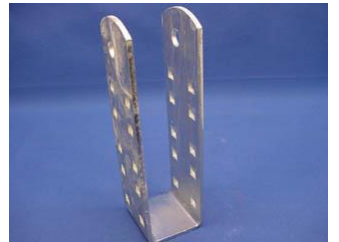
I



J



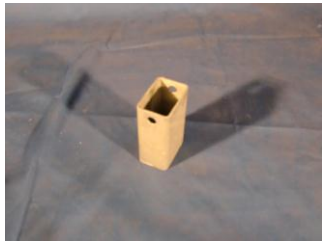
K



L



M



N



O



P

Part #	Description	Remarks
A	250-023967-02 U BRACKET BUNK MTG TALL 2X2 CMBR	PLATED ONLY
B	250-014848-10 BRACKET SPRINT BUNK MTG 12"	GALVANIZED ONLY
C	250-014876-10 BRACKET SPRINT BUNK MTG 9"	GALVANIZED ONLY
D	250-015202 PLATE BENT BUNK MTG 3/16X3X3"	PLATED ONLY
E	250-021786 STRAP BENT BK/RL CHNL UPRT (SHORT)	-10 GALV -11 WHT -12 BLK
F	250-021787 STRAP BENT BK/RL CHNL UPRT (HIGH)	-10 GALV -11 WHT -12 BLK
G	250-022387-10 BRACKET FRNT BUNK MTG	GALVANIZED ONLY
H	250-023068-02 U BRACKET EZL BUNK MTG 2X2 CMBR	PLATED ONLY
I	250-023136-02 U BRACKET BUNK MTG DUAL POSTION 2X2 CMBR	PLATED ONLY
J	250-023146 SPACER STL PLATED .75" O.D.X1 31/32"	PLATED ONLY
K	250-024174 PLATE BENT BUNK MTG 11GAX3X2 3/4"	PLATED ONLY
L	250-026592-02 U BRACKET BUNK MTG 4 POSITION 2X2 CMBR	GALVANIZED ONLY
M	250-024175 STRAP BUNK MTG 3/16X3X9"	-10 GALV -11 WHT -12 BLK
N	250-021164 TUBE BUNK RISER 2X3X.120" 5"	-10 GALV -11 WHT -12 BLK
O	250-021165 TUBE BUNK RISER 2X3X.120" 8.75"	-10 GALV -11 WHT -12 BLK
P	250-016282-10 STRAP BUNK MTG 3/8X2X22"	GALVANIZED ONLY

BUNKS/LDGD'S

CHANNEL GLIDE COVERS

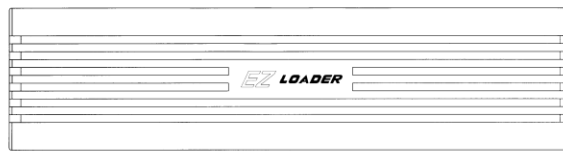


A



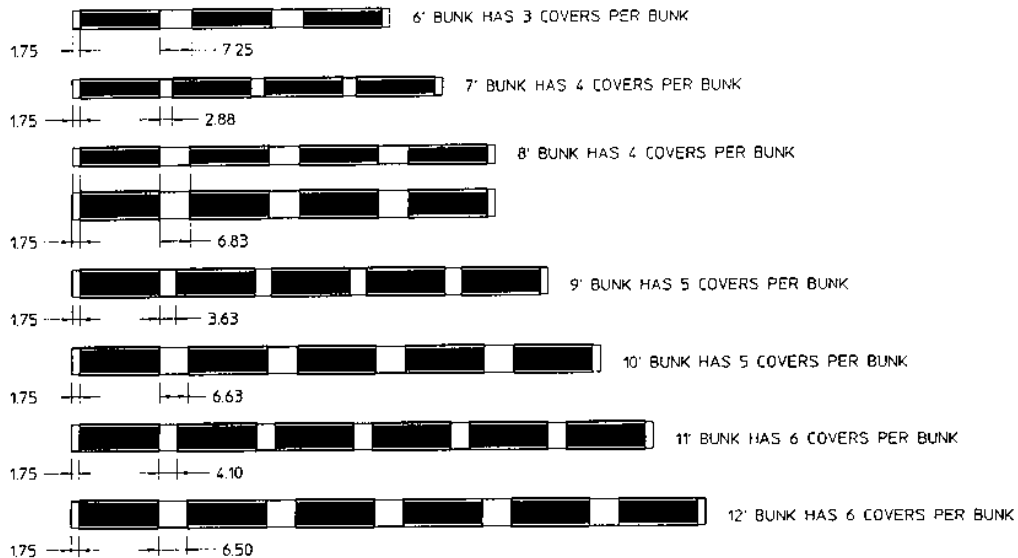
B

	Part #	Description	Remarks
A	250-025648	CHANNEL GLIDE BUNK COVER 4x18" PLASTIC	
B	250-025649	CHANNEL GLIDE BUNK COVER 6x18" PLASTIC	



CHANNEL GLIDES

250-025648(4"x18") --- 250-025649(6"x18")



CROSSMEMBERS



A



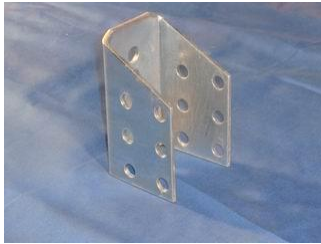
B



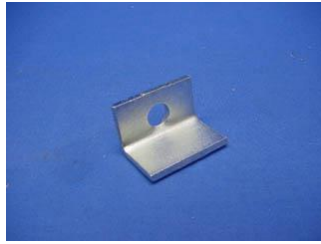
C



D



E



F



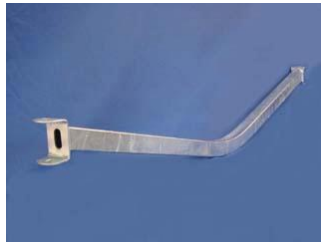
G



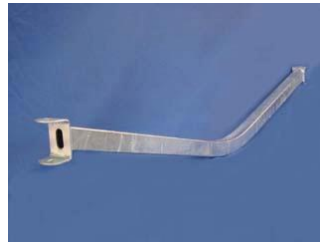
H



I



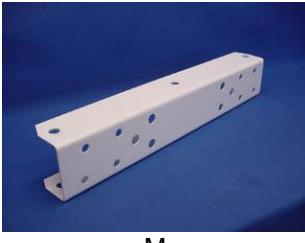
J



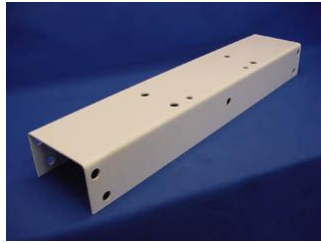
K



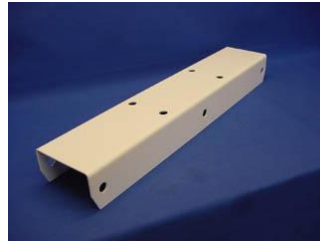
L



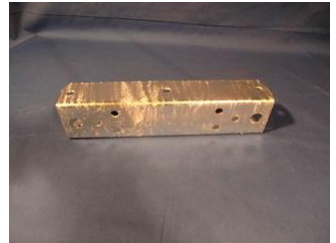
M



N



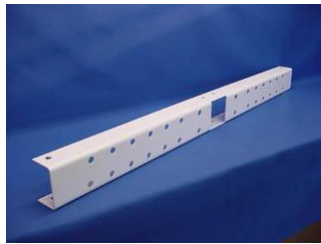
O



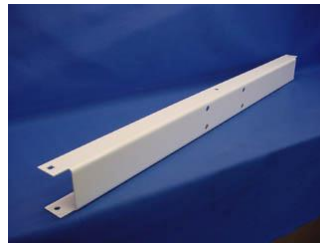
P



Q



R



S

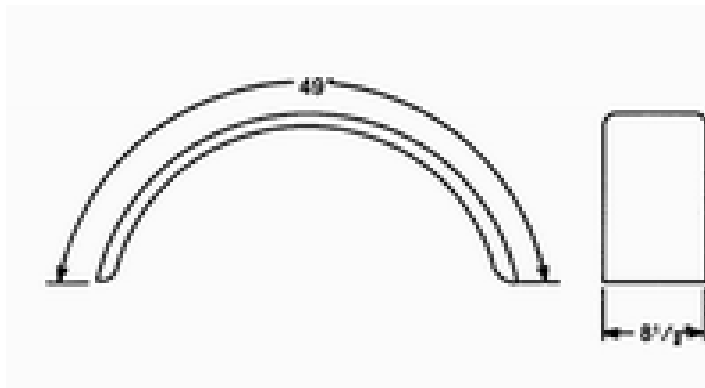


T

CROSSMEMBERS

<i>Part#</i>	<i>Description</i>	<i>Remarks</i>
A	250-019151 CMBR WLD'D ROLL 2X4" BM (70.72")	-10 GALV -11 WHITE -12 BLACK
B	250-0211921-10 CMBR TUBE RL DC 2X3X.095" 54" 4.8/ obs	GALVANIZED ONLY
C	250-021393 CMBR TUBE ROLL DC 3X3X.188" 66"	-10 GALV -11 WHITE -12 BLACK
D	250-011907 HANGER ROLL CMBR DC 4"BM	-10 GALV -11 WHITE -12 BLACK
E	250-014429 HANGER ROLL CMBR DC 5"BM 3POS	-10 GALV -11 WHITE -12 BLACK
F	250-017124 PLATE BENT CMBR STOP	PLATED ONLY
G	250-021079 CMBR TUBE DC 2X3X.095" 59.25"	-10 GALV -11 WHITE -12 BLACK
H	250-021086 PLATE BENT CMBR MTG (4 1/2") 82°	-10 GALV -11 WHITE -12 BLACK
I	250-021556 CMBR TUBE DC 2X3X.120" 65.63"	-10 GALV -11 WHITE -12 BLACK
J	250-025584 CMBR WLD'D ROLL 2X3"BM (58.5"FC)	-10 GALV -11 WHITE -12 BLACK
K	250-026595 CMBR WLD'D ROLL 2X3"BM (64.5"FC)	-10 GALV -11 WHITE -12 BLACK
L	250-025025 CMBR B/T CHNL 45" (53"FC)	-10 GALV -11 WHITE -12 BLACK
M	250-014873 CMBR B/T CHNL 19 3/4" PKRB	-10 GALV -11 WHITE -12 BLACK
N	250-024767 CMBR B/T CHNL 25 1/2" (2X5)W/KLRL HOLES	-10 GALV -11 WHITE -12 BLACK
O	250-021006 CMBR B/T CHNL 22"	-10 GALV -11 WHITE -12 BLACK
P	250-028474 CMBR B/T CHNL 15"	-10 GALV -11 WHITE -12 BLACK
Q	250-017588 CMBR WLD'D B/T (3X5X.250" TNG)	-10 GALV -11 WHITE -12 BLACK
R	250-025032 CMBR B/T CHNL 41.75" (49.5"FC)	-10 GALV -11 WHITE -12 BLACK
S	250-021953 CMBR CHNL 42 3/8" (FR)(T FRAME)	-10 GALV -11 WHITE -12 BLACK
T	250-025075 CMBR CHNL 51.75" (RR)	-10 GALV -11 WHITE -12 BLACK

FENDERS



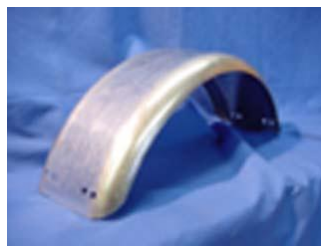
The illustration shows how to measure fenders using the 250-011743 – 8"x49" fender as an example.

Note: Fender part numbers ending with a -10 is galvanized, -11 is painted white.

STEEL FENDERS



A



B



C



D



E



F



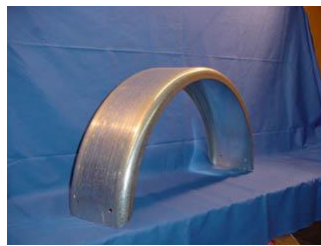
G



H



I



J

	Part#	Description	Remarks
A	250-011743	FENDER 8X49"	-10 GALV –11 WHITE
B	250-013276	FENDER 8X34 1/2" 4 HOLE	-10 GALV –11 WHITE
C	250-023334	FENDER TANDEM 8 1/2X82" 8 HOLE (75/79")	-10 GALV –11 WHITE
D	250-020401	FENDER TANDEM 9 1/2X88" (1 1/2")	-10 GALV –11 WHITE
E	250-021924	FENDER 6 1/2X33"	-10 GALV –11 WHITE
F	250-022753	FENDER 8X45" 4 HOLE	-10 GALV –11 WHITE
G	250-022771	FENDER 9 1/2X42"	-10 GALV –11 WHITE
H	250-022772	FENDER 9 1/2X48 1/2"	-10 GALV –11 WHITE
I	250-023403	FENDER 6 1/2X39 3/8" 4 HOLE (37)	-10 GALV –11 WHITE
J	250-023960	FENDER 8 1/2X54" 4 HOLE (50")	-10 GALV –11 WHITE

FENDERS

PLASTIC FENDERS AND TAILLIGHT COVERS



A



B



C



D



E



F



G



H



I



J



K



L



M



O



P

	Part#	Description	Remarks
A	250-023692	FNDR CMPT SMALL GRAY	-10 GRAY -11 WHITE -12 BLACK
B	250-023694	FNDR CMPT MED GRAY W/STEPS WO/LH	-10 GRAY -11 WHITE -12 BLACK
C	250-023725	FNDR CMPT MED W/STEPS AND LIGHT HOLE	-10 GRAY -11 WHITE -12 BLACK
D	250-023712	FNDR CMPT LARGE W/STEPS	-10 GRAY -11 WHITE -12 BLACK
E	250-023729	FNDR CMPT MED RF/LR W/1 STEP	-10 GRAY -11 WHITE -12 BLACK
F	250-023730	FNDR CMPT MED LF/RR W/1 STEP	-10 GRAY -11 WHITE -12 BLACK
G	250-023715	FNDR CMPT LARGE RF/LR W/1 STEP	-10 GRAY -11 WHITE -12 BLACK
H	250-023716	FNDR CMPT LARGE LF/RR W/1 STEP	-10 GRAY -11 WHITE -12 BLACK
I	250-023704	FNDR CMPT LARGE W/O STEPS	-10 GRAY -11 WHITE -12 BLACK
J	250-025170	COVER TLLGT (CMPT) RT 2X4/2X5" BM	-10 GRAY -11 WHITE -12 BLACK
K	250-025171	COVER TLLGT (CMPT) LT 2X4/2X5" BM	-10 GRAY -11 WHITE -12 BLACK
L	250-022173	COVER TLLGT (GRAY CMPT) LT 3X5" BM	-10 GRAY -11 WHITE -12 BLACK
M	250-025174	COVER TLLGT (CMPT) RT 3X5" BM	-10 GRAY -11 WHITE -12 BLACK
N	250-023981	PAD RUBBER BLACK (SMALL) CMPT FNDR	BLACK ONLY
O	250-023982	PAD RUBBER BLACK (LARGE) CMPT FNDR	BLACK ONLY

FENDERS

FENDER STEPS



A



B



C



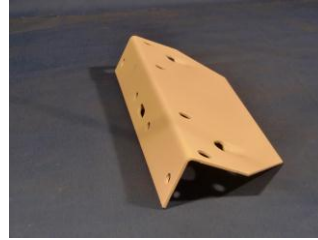
D



E



F



G



H



I



J



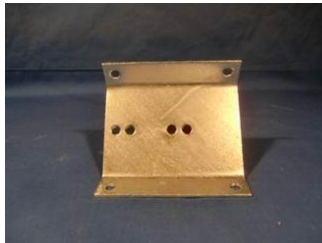
K



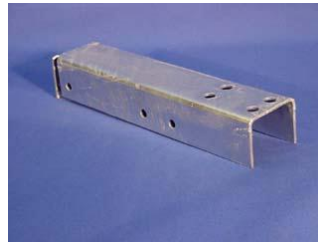
L



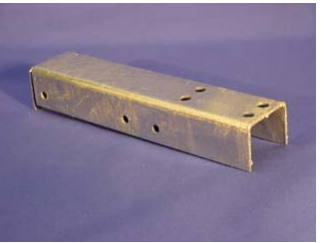
M



N



O



P



Q

Part #	Description	Remarks	
A	250-032139	STEP FNDR MTG 7" TAPERED LF/RR	-10 GALV -11 WHITE -12 BLACK
B	250-032140	STEP FNDR MTG 7" TAPERED RF/LR	-10 GALV -11 WHITE -12 BLACK
C	250-032261	STEP FNDR MTG (92"S-STYLE) LF/RR	-10 GALV -11 WHITE -12 BLACK
D	250-032262	STEP FNDR MTG (92"S-STYLE) RF/LR	-10 GALV -11 WHITE -12 BLACK
E	250-023721	STEP MEDIUM (CMPT)	-10 GALV -11 WHITE -12 BLACK
F	250-023722	STEP LARGE 2"FRAME (CMPT)	-10 GALV -11 WHITE -12 BLACK
G	250-023723	STEP LARGE 3"FRAME (CMPT)	-10 GALV -11 WHITE -12 BLACK
H	250-024308	STEP FNDR MTG 9" (LF/RR)	-10 GALV -11 WHITE -12 BLACK
I	250-024309	STEP FNDR MTG 9" (RF/LR)	-10 GALV -11 WHITE -12 BLACK
J	250-025079	STEP FNDR MTG (S-STYLE) LF/RR 9.88"	-10 GALV -11 WHITE -12 BLACK
K	250-025080	STEP FNDR MTG (S-STYLE) RF/LR 9.88"	-10 GALV -11 WHITE -12 BLACK
L	250-026779	PLATE BENT CENTER FNDR MTG PT	-10 GALV -11 WHITE -12 BLACK
M	250-025071	STRAP BENT FNDR MTG (T-FRAME)	-10 GALV -11 WHITE -12 BLACK
N	250-031062-10	STEP FNDR MTG (TI)	GALVANIZED ONLY
O	250-023719	PLATE CTR SUP MTG TRSN 2"FRAME	-10 GALV -11 WHITE -12 BLACK
P	250-023720	PLATE CTR SUP MTG TRSN 3"FRAME	-10 GALV -11 WHITE -12 BLACK
Q	250-024936-10	STRAP BENT CTR FNDR SUPPORT MTG	GALVANIZED ONLY

KEEL ROLL

KEEL ROLL PADS



A



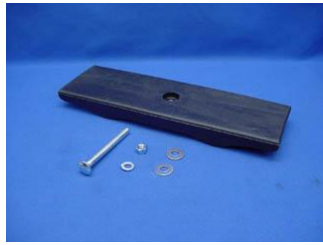
B



C



D



E



F

	<i>Part #</i>	<i>Description</i>	<i>Remarks</i>
A	250-022713	PAD KEEL BLACK (3"CMBR)	
B	250-022724	PAD KEEL BM/TNG BLACK	
C	300-021283	PAD KL BM/TNG KIT (CHNL)	
D	300-021281	PAD KL ROLL/CMBR KIT (1400/12000#)	
E	300-026470	KEEL PAD KIT W/HRDWR 3X3 CMBR	
F	250-020414	PAD BUMPER RUBBER 10"	

KEEL ROLL

KEEL ROLL COMPONENTS



A



B



C



D



E



F



G



H



E



F



G



H

Part #	Description	Remarks
A	290-014360 NUT 5/8" PAL CAP (ZP)	
B	250-014375 ROLL END CAP 3 1/2X1 1/2"(134-5)	
C	250-014586 ROLL KEEL 12"(TAPERED) W/INSERT	
D	250-014587 ROLL KEEL 8" (TAPERED) #8244	
E	250-014877 ROLL KEEL 5" (TAPERED) (5213-5)	
F	250-015449-10 BRACKET KEEL ROLL (LT)	
G	250-015450-10 BRACKET KEEL ROLL (rT)	
H	250-022788 ROD 5/8X9 1/4"	
I	250-015451 ROD 5/8X15 3/16"	
J	250-015501 ROD 5/8X10 7/8"	
K	250-015562 ROD 1/2X10 9/16"	
L	290-010831 NUT 1/2" PAL CAP (ZP)	

KEEL ROLL

KEEL ROLL ASSEMBLIES



A



B



C



D



E



F



G



H



I



J



K



L

	Part #	Description	Remarks
A	300-015451	ROLL ASM KL 12" PKRB W/END ROLL	
B	300-015452	ROLL ASM KL 8" PKRB	
C	300-015453	ROLL ASM KL 5" PKRB	
D	300-015454	ROLL ASM KL 12" PKRB	
E	300-015500	ROLL ASM KL 8" W/END CAP ROLLS	
F	300-017267-10	ROLL ASM TNG KEEL 5"	
G	300-021258	ROLL ASM KL 12" W/E.C.&LITE MTG 3"CMBR	REAR CROSSMEMBER ONLY
H	300-021259	ROLL ASM KL 12" W.O./E.C. 3"CMBR	
I	300-021260	ROLL ASM KL 8" W/E.C. 3"CMBR	
J	300-021261	ROLL ASM KL 8" W.O./E.C. 2"CMBR	
K	300-021262	ROLL ASM KL 5" W.O./E.C. 2"CMBR	
L	300-021329	ROLL ASM KL 8" W.O./E.C. 3"CMBR	

KEEL ROLL

KEEL ROLL ASSEMBLIES



M



N



O



P



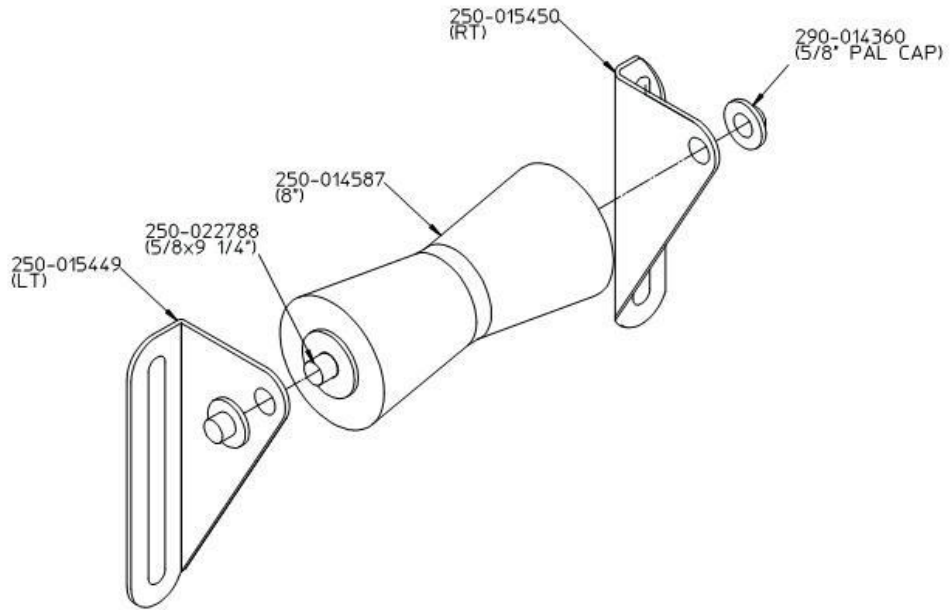
Q

Part #	Description	Remarks
M	300-021628 ROLL ASM TNG KEEL 4" (2X3" TNG)	
N	300-023179 ROLL ASM KEEL 8" W/HDW (2X2"CMBR)	
O	300-025017 ROLL ASM KL 5"W/EC-MTG HRDWR(B/T CNCTR)	
P	300-025576-10 ROLL ASM KL ADJ DBL 12"W/EC	FRONT CMBR ONLY
Q	300-025588-10 ROLL KL ADJ DBL 12" W/EC&HRDWR	FRONT CMBR ONLY

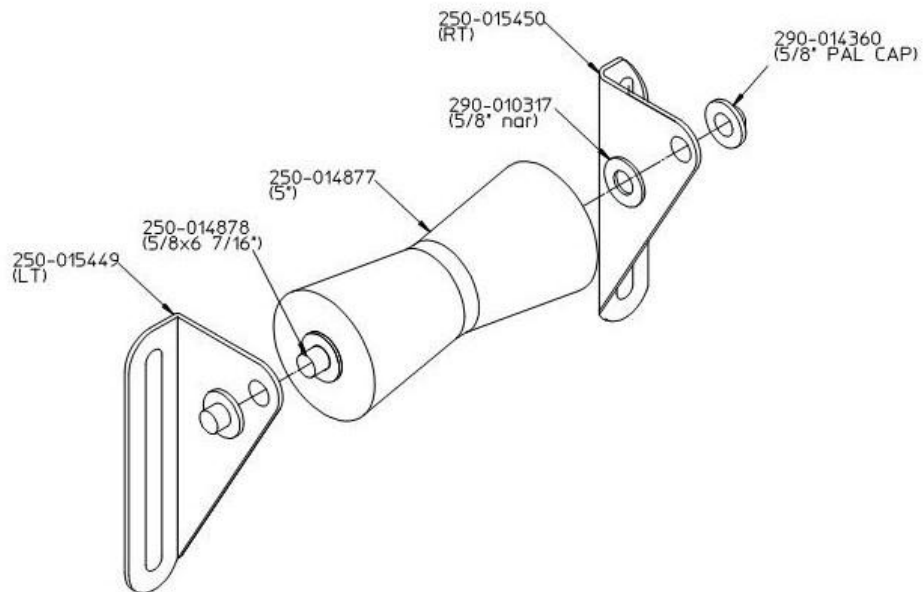
KEEL ROLL

KEEL ROLL ASSEMBLIES

300-015452



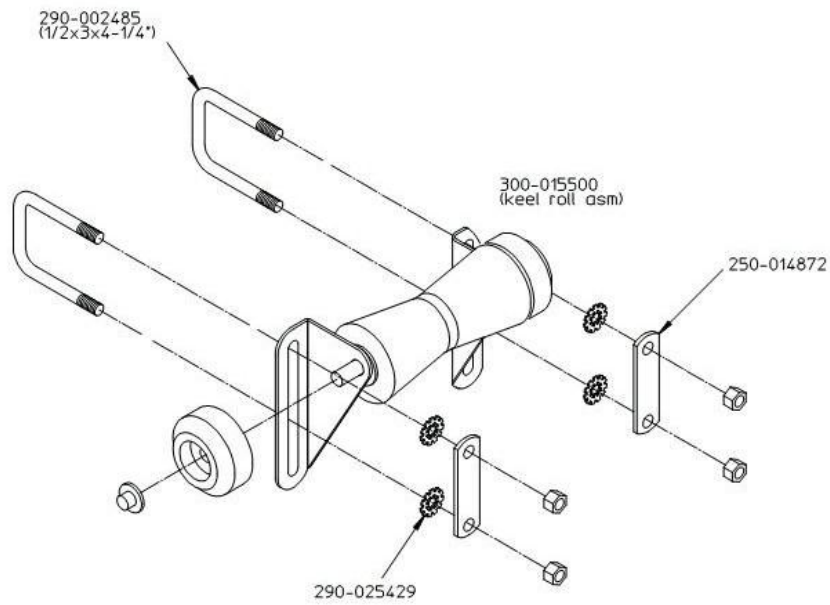
300-015453



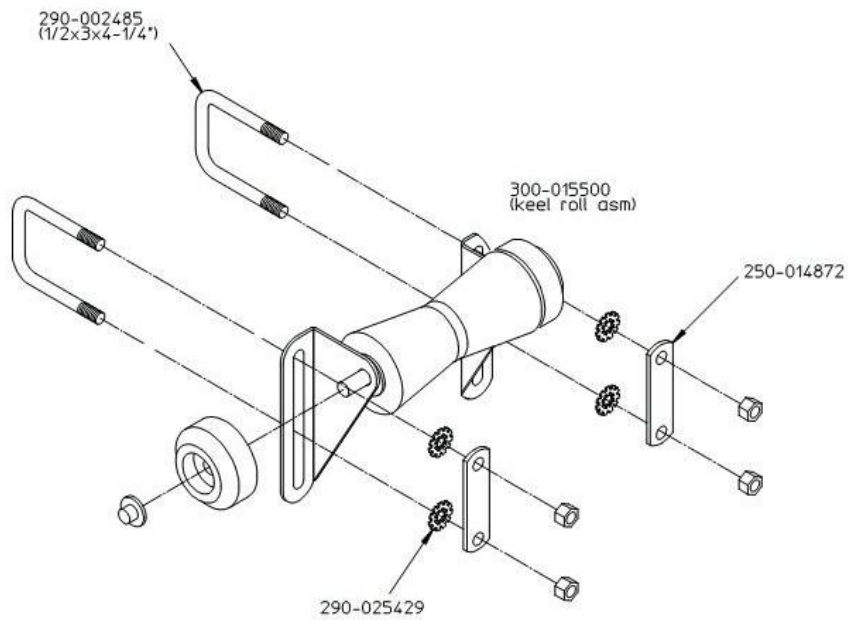
KEEL ROLL

KEEL ROLL ASSEMBLIES

300-021260



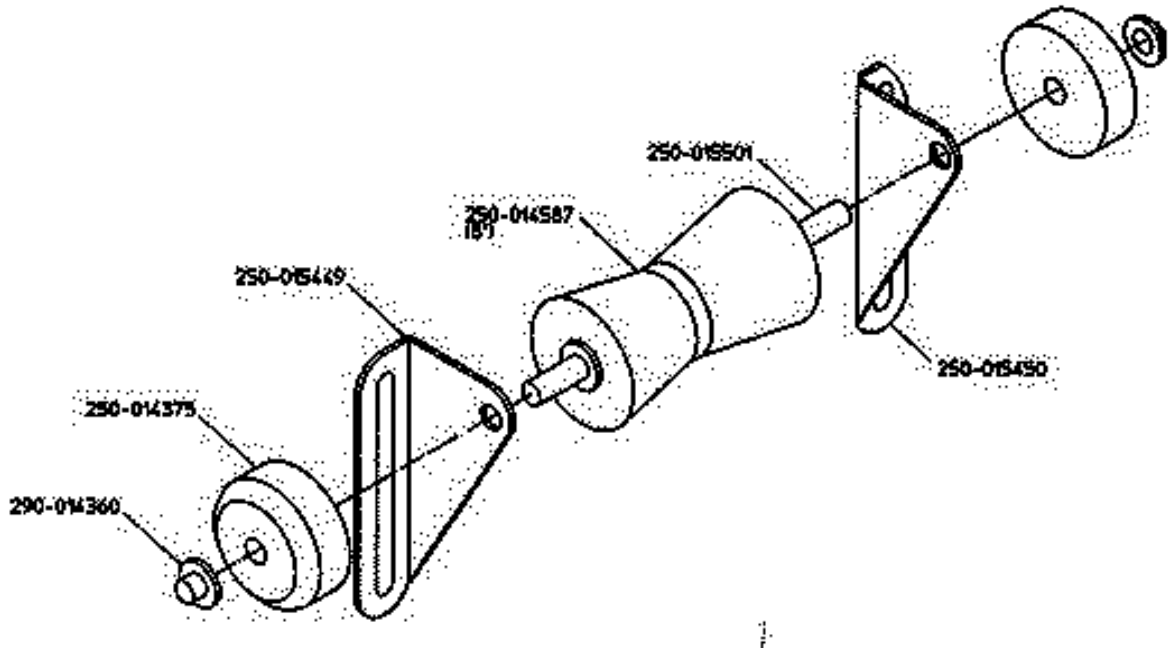
300-021259



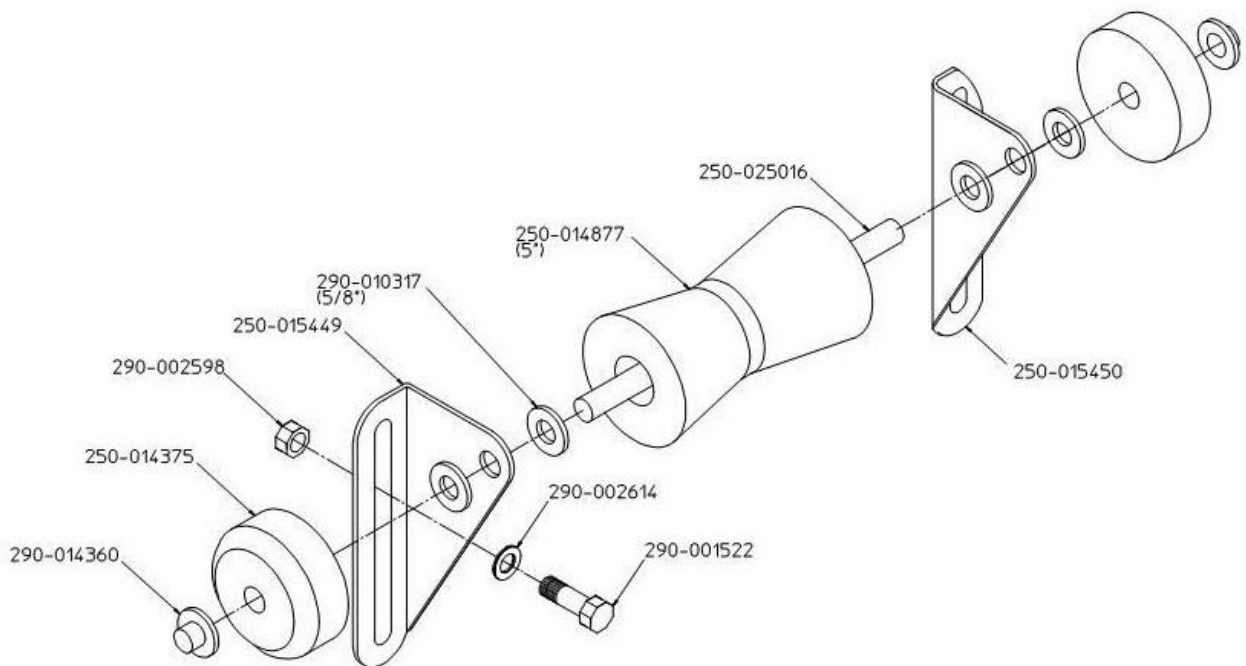
KEEL ROLL

KEEL ROLL ASSEMBLIES

300-015500



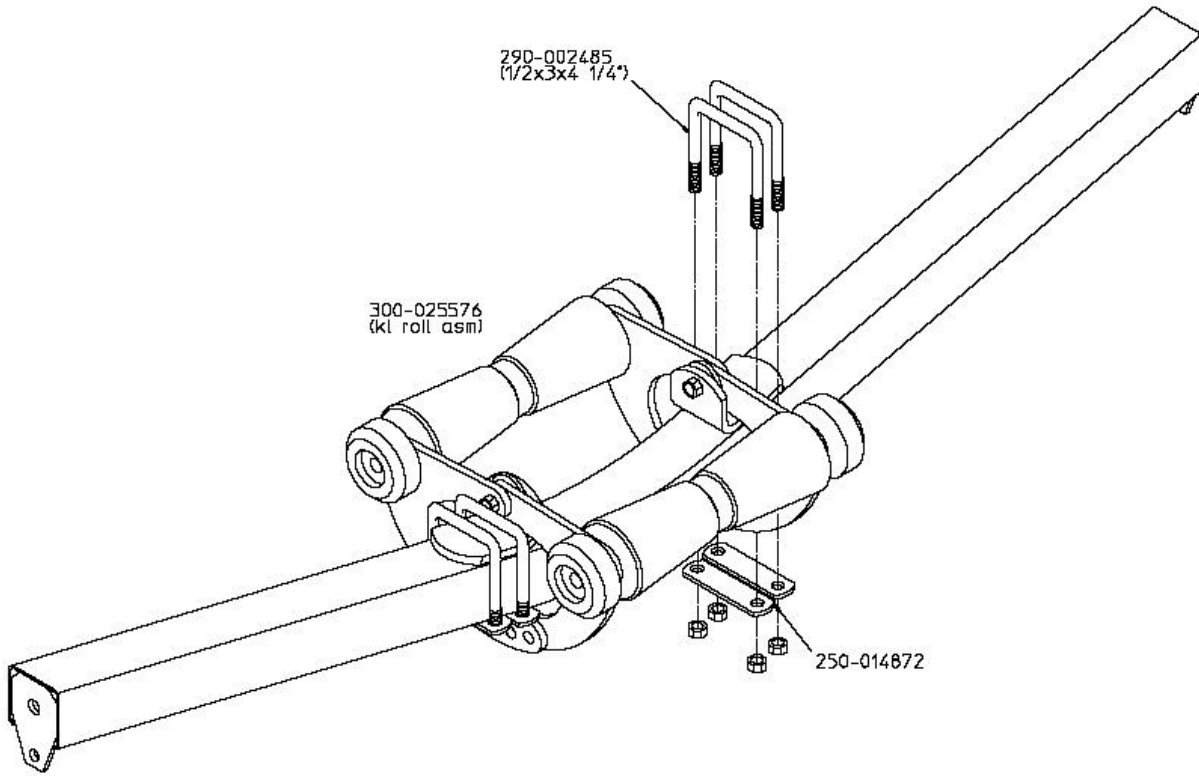
300-025017



KEEL ROLL

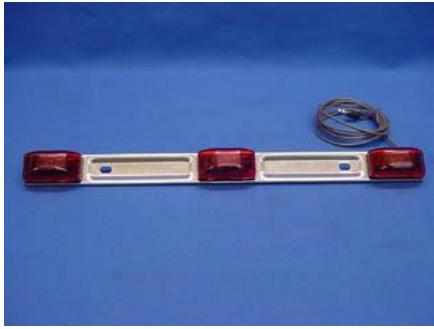
KEEL ROLL ASSEMBLIES

300-025588-10



LIGHTING

3-LIGHT BAR



A



B



C

	Part #	Description	Remarks
A	250-022720	LGTBAR (3) 60" PGTL W/PLUG (WES#106853)	
B	250-022720-11	LGTBAR (3) 60" PGTL W/PLG F/GRD	Has Ground Wire
C	250-032134-11	LGTBAR LED (3) 60" PGTL W/PLG & GRD WIRE	2005-Present

LED LIGHT UPGRADE KITS



D



E



F

	Part #	Description	Remarks
D	300-029797	LGTBAR (3) 60" PGTL W/PLUG (WES#106853)	
E	300-029798-10	LGTBAR (3) 60" PGTL W/PLG F/GRD	
F	300-029798-11	LIGHT KIT LED STL FNDR/STL QR TLLGT MTG	Has Ground Wire

LIGHTING

GROMMETS



A



B



C



D



E

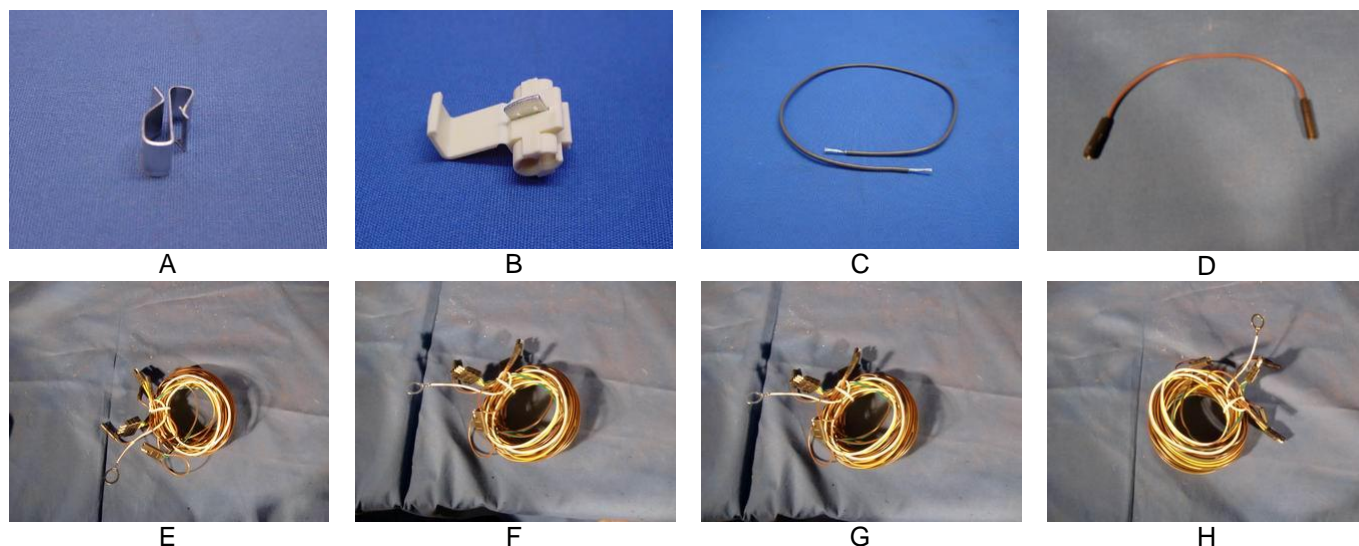


F

Part #	Description	Remarks
A	250-012019 GROMMET PLASTIC 1/2" (GRO-1/2"-UL)	
B	250-014769 GROMMET RBR 1/2" (#AI828)	
C	250-014770 GROMMET RBR 5/8" (#AI2558)	
D	250-022257 GROMMET PLASTIC 3/4" (GRO-3/4"-UL)	
E	250-022725 GROMMET RBR 7/8" (#2564)	
F	250-032127 GROMMET RBR OVAL CL LGT (WES#106589)	For Composite Fenders

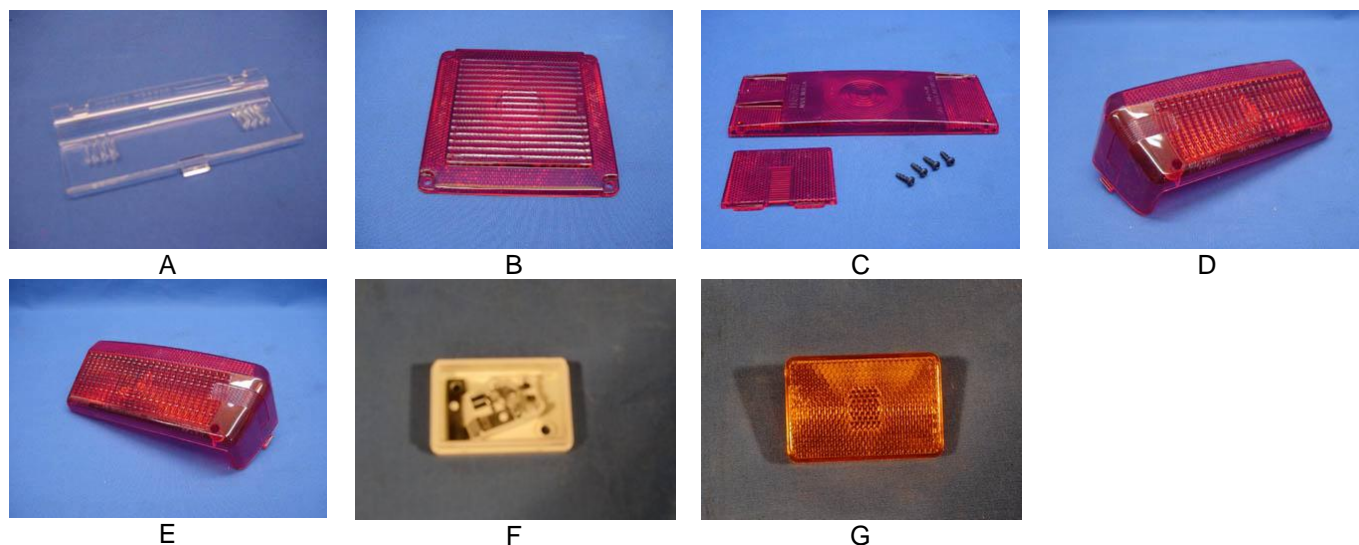
LIGHTING

HARNESS AND CONNECTORS



	Part #	Description	Remarks
A	250-010093	CLIP WIRE SLIP ON ZINC C40699-043M	
B	250-023735	CNCTR SCOTCH LOCK 3M WHITE (WES#002806)	Use With 250-023737
C	250-023736	CNCTR FRNT SDMK WIRE BRN 16"(WES#107202)	Use With 250-023737
D	250-029546	WIRE JUMPER BRN 10" W/PLUGS F/F	
E	250-022703	HARNESS 24' W/PLUG (WHT TIE)	ADD -11 FOR GROUND
F	250-022704	HARNESS 29' W/PLUG (BRN TIE)	ADD -11 FOR GROUND
G	250-022705	HARNESS 36' W/PLUG (DK BLU TIE)	ADD -11 FOR GROUND
H	250-022706	HARNESS 41' W/PLUG (YELLOW TIE)	ADD -11 FOR GROUND

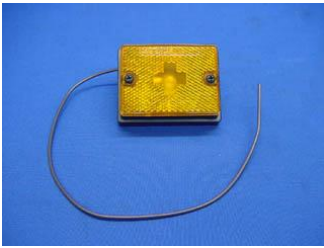
LENS



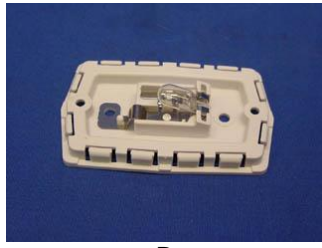
	Part #	Description	Remarks
A	250-022102	SPLASH GUARD PLASTIC(WES W/SPADE)#105545	
B	250-022167	LENS TAIL LGT WES#3325 (SUB) UNDER 80"	
C	250-022168	LENS SET OVER 80"#3336	
D	250-025421	LENS TAIL LGT (WES #3373)LT WRAP-AROUND	
E	250-025422	LENS TAIL LGT (WES #3372)RT WRAP AROUND	
F	250-028890	LGT FR SDMK BASE 1 3/4X2 1/2"	
G	250-028891	LGT FRNT SDMK LENS AMBER 1 3/4X2 1/2"	

LIGHTING

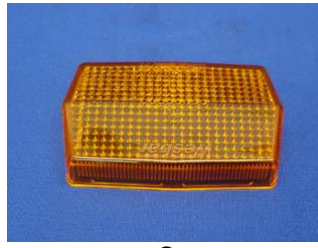
SIDE MARKER LIGHTS



A



B



C



D



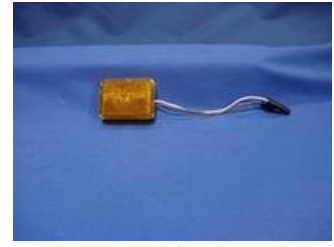
E



F



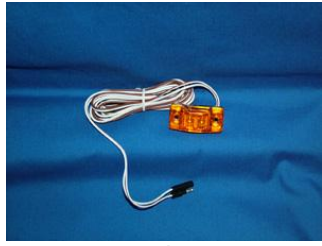
G



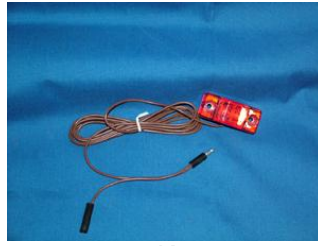
H



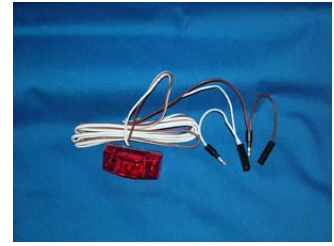
I



J



K

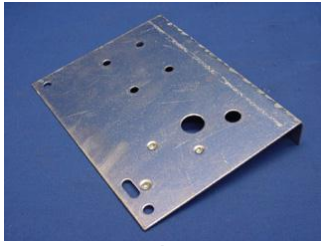


L

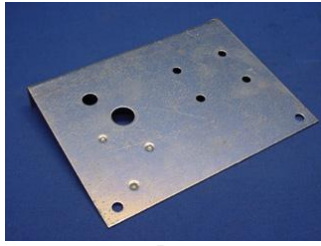
	Part #	Description	Remarks
A	250-010810	LGT SDMK AMBR 16" PGTL	
B	250-023737	LGT FRNT SDMK BASE (WES#003243)	Mtd On Tongue
C	250-023738	LGT FRNT SDMK LENS AMBR (WES#003240)	Mtd On Tongue
D	250-023918	LGT CLEARANCE AMBR CMPT (WES#003367)	Composite Fender
E	250-023919	LGT CLEARANCE RED CMPT (WES#003368)	Composite Fender
F	250-032130	LGT CLR AMBER LED (GROMMENT MTD)	Composite Fenders
G	250-032131	LGT CLR RED LED (GROMMENT MTD)	Composite Fenders
H	250-032135	LGT TNG LED AMBER W/PLUGS 6" WIRE (W)	Mounted on Tongue
I	250-032128	LGT CLR AMBER LED 162"PGTL W/PLUG (W)	Metal Fenders
J	250-032128-11	LGT CLR AMBER LED 162"PGTL W/PLUG (W)	Metal Fenders
K	250-032129	LGT CLR RED LED 96"PGTL W/PLUG (W)	Metal Fenders
L	250-032129-11	LGT CLR RED LED 96"PGTL W/PLUG (W)	Metal Fenders

LIGHTING

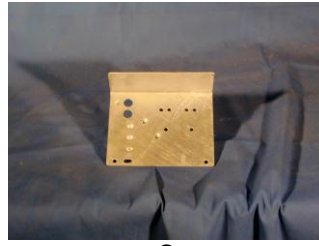
TAIL LIGHTS



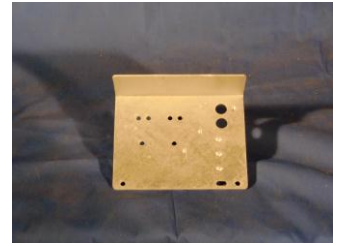
A



B



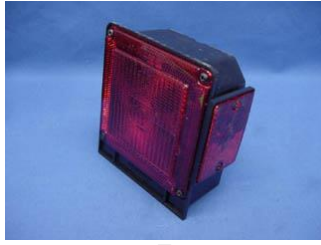
C



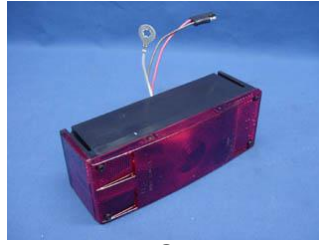
D



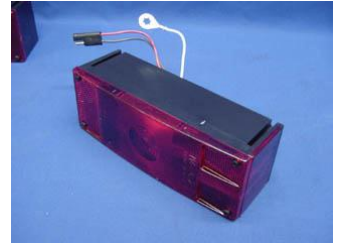
E



F



G



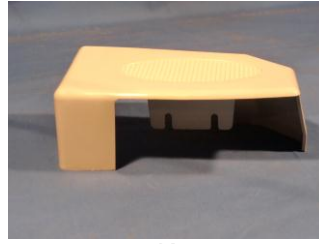
H



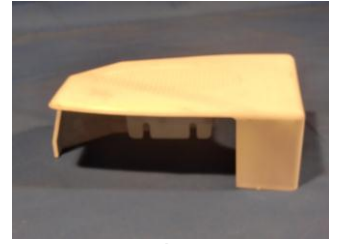
I



J



K



L



M



N



O



P



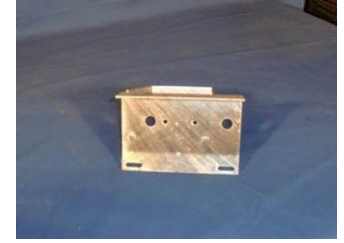
Q



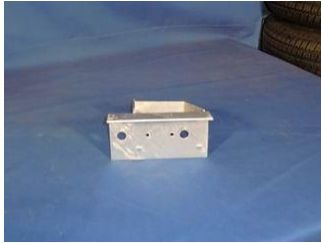
R



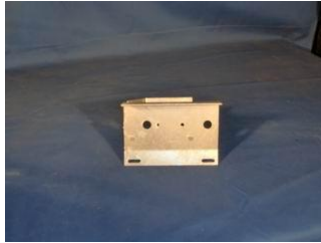
S



T



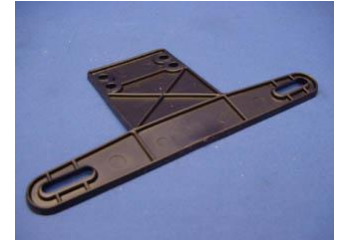
U



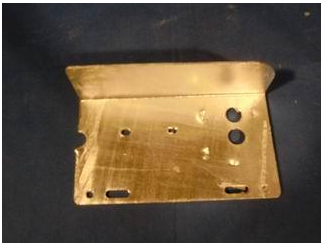
V



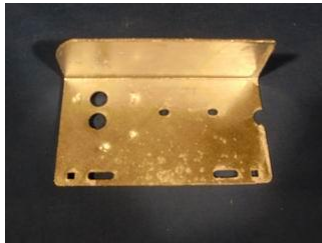
W



X



Y



Z



AA



BB

	Part #	Description	Remarks
A	250-013249-10	PLATE BENT TLLGT MTG 4.2/8 (LT)	AVAILABLE GALV ONLY
B	250-013250-10	PLATE BENT TLLGT MTG 4.2/8 (RT)	AVAILABLE GALV ONLY
C	250-021880-10	PLATE BENT TLLGT MTG (RT)	AVAILABLE GALV ONLY
D	250-021881-10	PLATE BENT TLLGT MTG (LT)	AVAILABLE GALV ONLY
E	250-021959	LGT TAIL WESBAR (W/SPADE REC)(LT)	
F	250-021960	LGT TAIL WESBAR (W/SPADE REC)(RT)	
G	250-022717	LGT TAIL W/PLUG (WES#106410)(LT)	
H	250-022718	LGT TAIL W/PLUG (WES#106411)(RT)	
I	250-025170	COVER TLLGT (CMPT) RT 2X4/2X5" BM	-10 GRAY -11 WHITE -12BLACK
J	250-025171	COVER TLLGT (CMPT) LT 2X4/2X5" BM	-10 GRAY -11 WHITE -12BLACK
K	250-025173	COVER TLLGT (CMPT) LT 3X5" BM	-10 GRAY -11 WHITE -12BLACK
L	250-025174	COVER TLLGT (CMPT) RT 3X5" BM	-10 GRAY -11 WHITE -12BLACK
M	250-027977	LGT TAIL W/PLUG (SUBMERSIBLE) LT	
N	250-027978	LGT TAIL W/PLUG (SUBMERSIBLE) RT	
O	250-032136	LGT TAIL LED(1/4 RD/CHNL)(RT) W/PLUG (W)	MOUNTED ON STEEL BRACKET
P	250-032137	LGT TAIL LED(1/4 RD/CHNL)(LT) W/PLUG (W)	MOUNTED ON STEEL BRACKET
Q	250-032132	LGT TAIL LED (CMPT) (RT) W/PLUG (W)	COMPOSITE COVERED
R	250-032133	LGT TAIL LED (CMPT) (LT) W/PLUG (W)	COMPOSITE COVERED
S	250-024938-10	PLATE WLD'D TLLGT MTG 4"BM RT	GALVANIZED ONLY
T	250-024939-10	PLATE WLD'D TLLGT MTG 4"BM LT	GALVANIZED ONLY
U	250-024944-10	PLATE WLD'D TLLGT MTG 5"BM RT	GALVANIZED ONLY
V	250-024945-10	PLATE WLD'D TLLGT MTG 5"BM LT	GALVANIZED ONLY
W	250-022961	ILLUMINATION CAPSULE (WES #108435)	
X	250-010790	BRACKET LCNS PLT MTG (NYLON)	
Y	250-028365	PLATE BENT TLLGT MTG (QR) LT	-10 GRAY -11 WHITE -12BLACK
Z	250-028366	PLATE BENT TLLGT MTG (QR) RT	-10 GRAY -11 WHITE -12BLACK
AA	250-028364	COVER TLLGT PLATE GRAY (QR)	-10 GRAY -11 WHITE -12BLACK
BB	250-027064	PIGTAIL 7'X13' CLEARANCE	ADD -11 FOR GROUND

LOAD GUIDES

BUNK LOAD GUIDE ASSEMBLIES



A



B



C



D



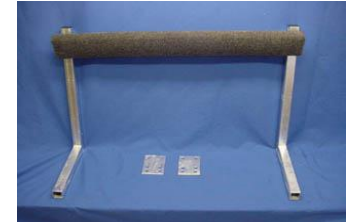
E



F



G



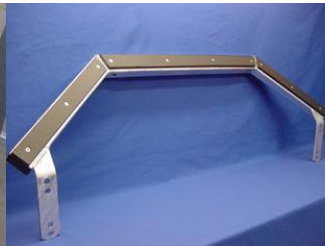
H



I



J



K

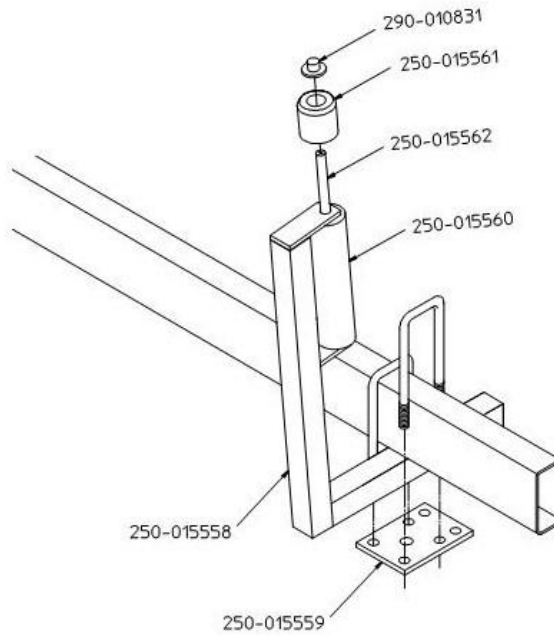


L

	Part #	Description	Remarks
A	300-020632	LDGD ASM ROLL PR (WLD'D TUBES)	2000 Lbs & Up
B	300-021572	LDGD ASM ROLL PR (30" BENT TUBES)	2000 Lbs & Less
C	300-020636	LDGD ASM 6' BUNK (WLD'D TUBES)	2200-3100 SINGLE
D	250-015983	LDGD WLD'D (BUNK 12")	-10 GALV -11 WHITE -12 BLACK
E	300-025492	LDGD ASM 12' BUNK HD (WLD'D TUBES)	-10 GALV -11 WHITE -12 BLACK
F	300-022289	LDGD ASM 4' BUNK (BENT STRAP) 23.38"	GALVANIZED ONLY
G	300-027516-10	LDGD KIT 46.5" BENT TUBE W/40" PVC PIPE	GALVANIZED ONLY
H	300-020637	LDGD ASM 4' BUNK (WLD'D TUBES)	-10 GALV -11 WHITE -12 BLACK
I	300-022290	LDGD ASM VERT BUNK (BENT STRAP) 23.38"	GALVANIZED ONLY
J	300-027523	LDGD KIT BENT STRAP (18" HORIZONTAL BNK)	-10 GALV -11 WHITE -12 BLACK
K	300-027450-10	LDGD ASM (WLD'D CHINE) SGL (Pair)	GALVANIZED ONLY
L	300-027451-10	LDGD ASM (WLD'D CHINE) TNDM (Pair) (OB)	GALVANIZED ONLY

LOAD GUIDES

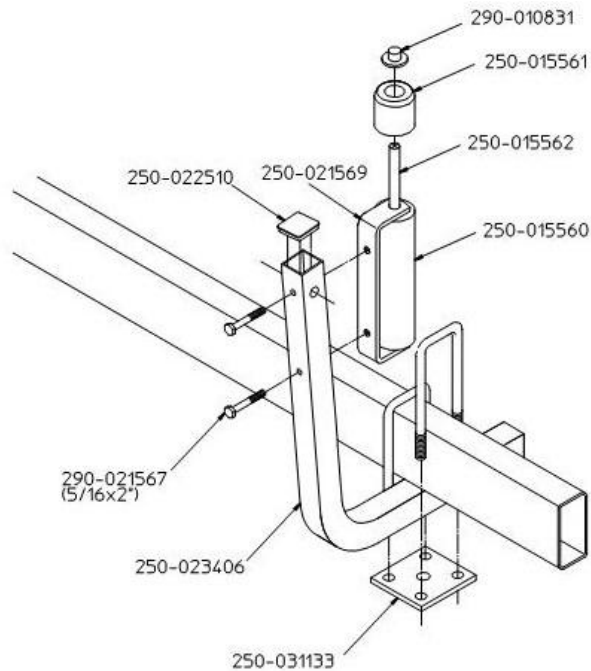
300-020632



Mounting Hardware Not Included

2x4 Boom U-Bolt	2x5 Boom U-Bolt
290-020980	290-020634
(1/2x2x6 1/2")	(1/2x2x7 1/2")

300-021572



Mounting Hardware Not Included

2x3 Boom U-Bolt	2x4 Boom U-Bolt
290-021380	290-020980
(1/2x2x5 1/2")	(1/2x2x6 1/2")

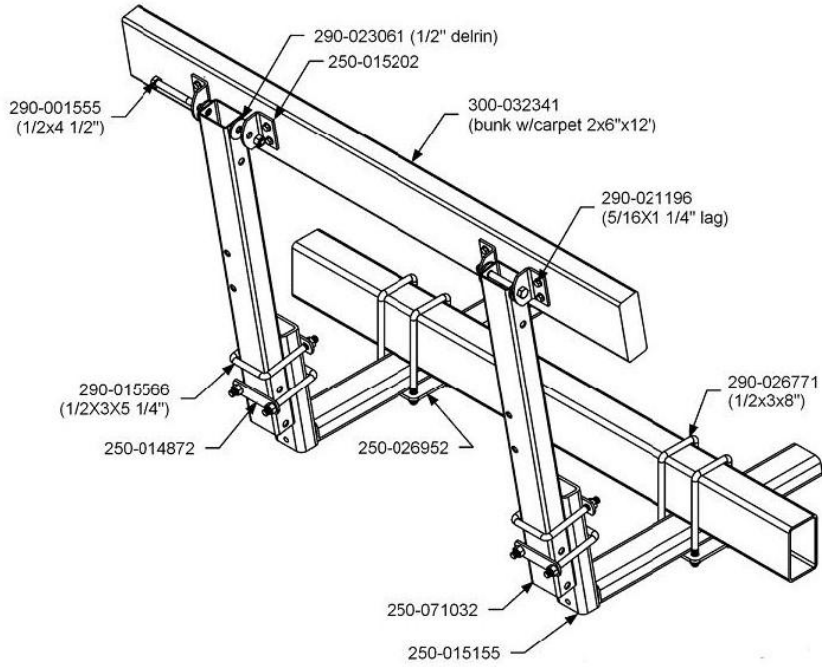
LOAD GUIDES

BUNK LOAD GUIDE ASSEMBLIES

When ordering Loadguides, the product numbers listed below (i.e. 300-024592) are for a pair of loadguides

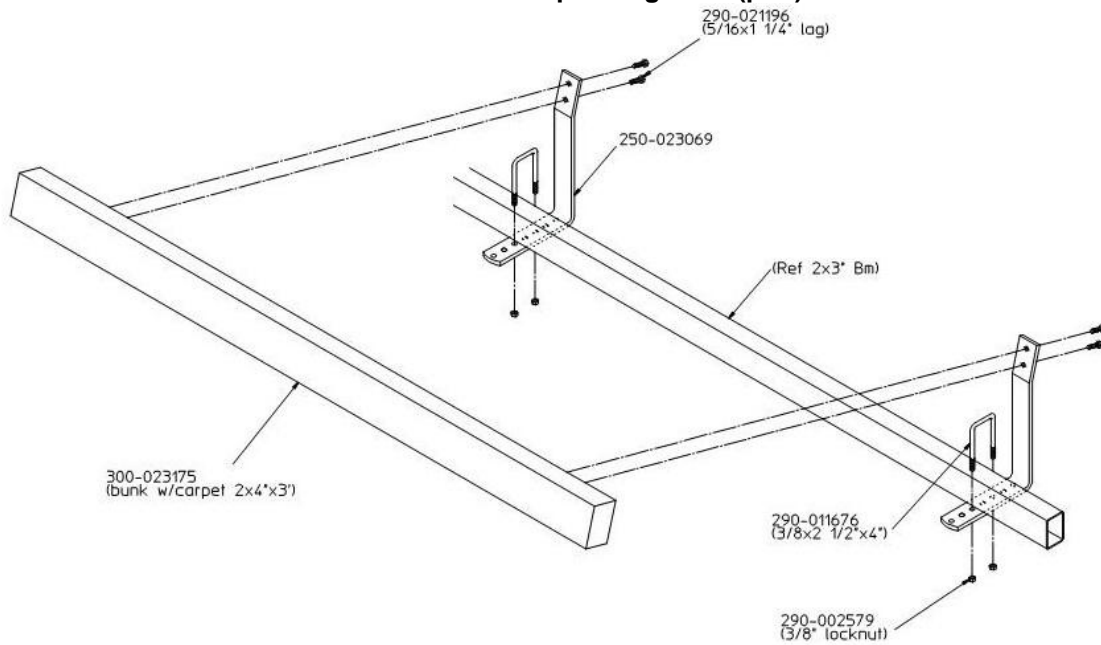
300-024592

12' Bunk Heavy Duty Welded Loadguides (pair)



300-023168

3' Bunk Bent Strap Loadguides (pair)



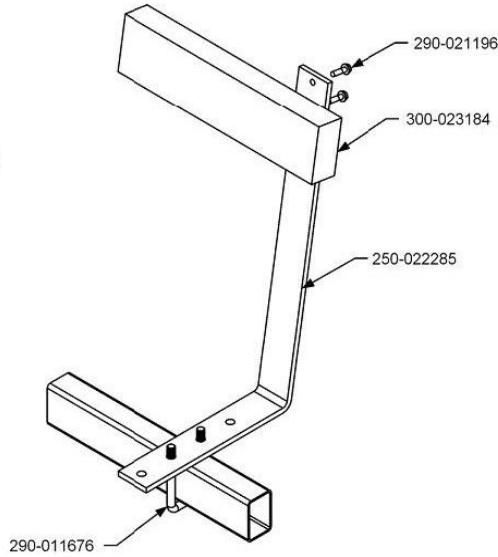
LOAD GUIDES

BUNK LOAD GUIDE ASSEMBLIES

300-022289

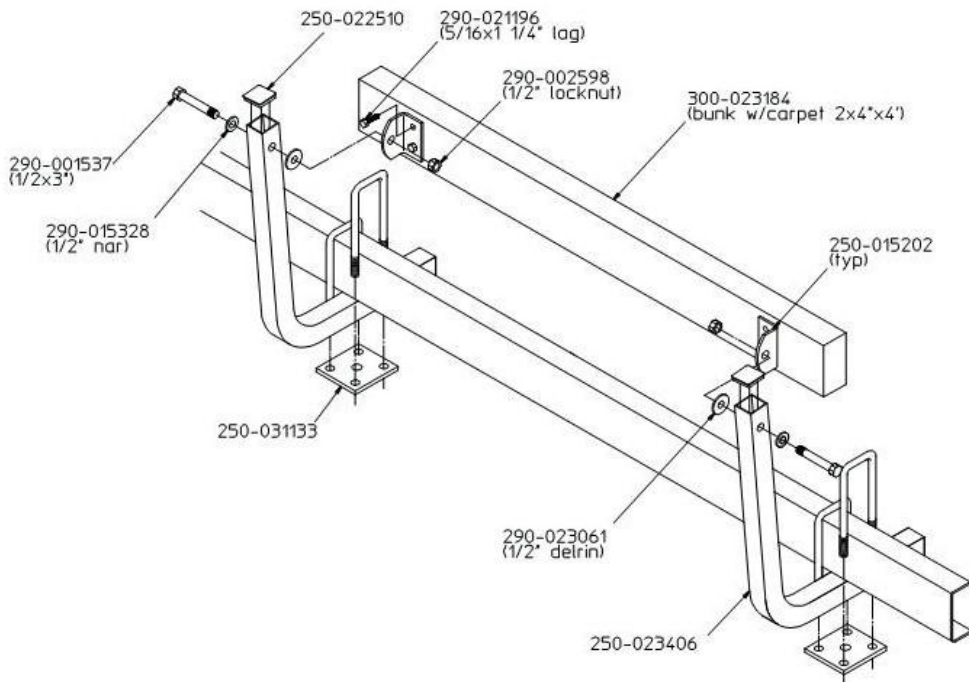
4' Bunk Bent Strap Loadguides (pair)

NOTE:
250-022285 CAN MOUNT
TOP OR BOTTOM OF BOOM



300-021570

4' Bunk Bent Tube Loadguides (pair)

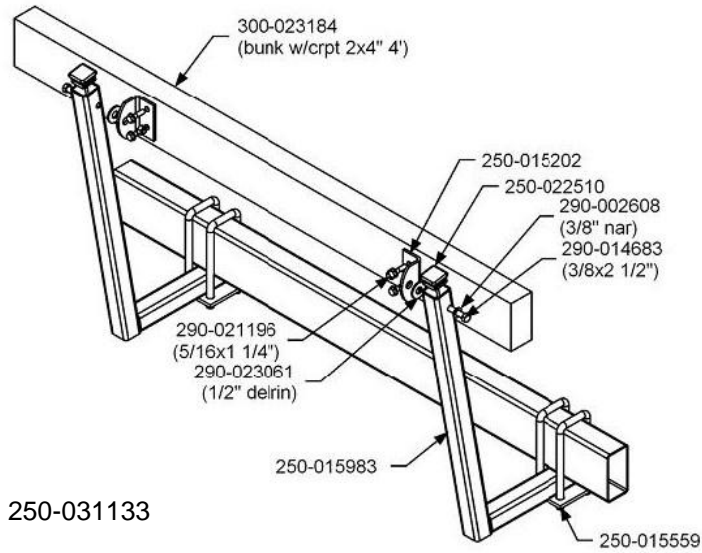


LOAD GUIDES

BUNK LOAD GUIDE ASSEMBLIES

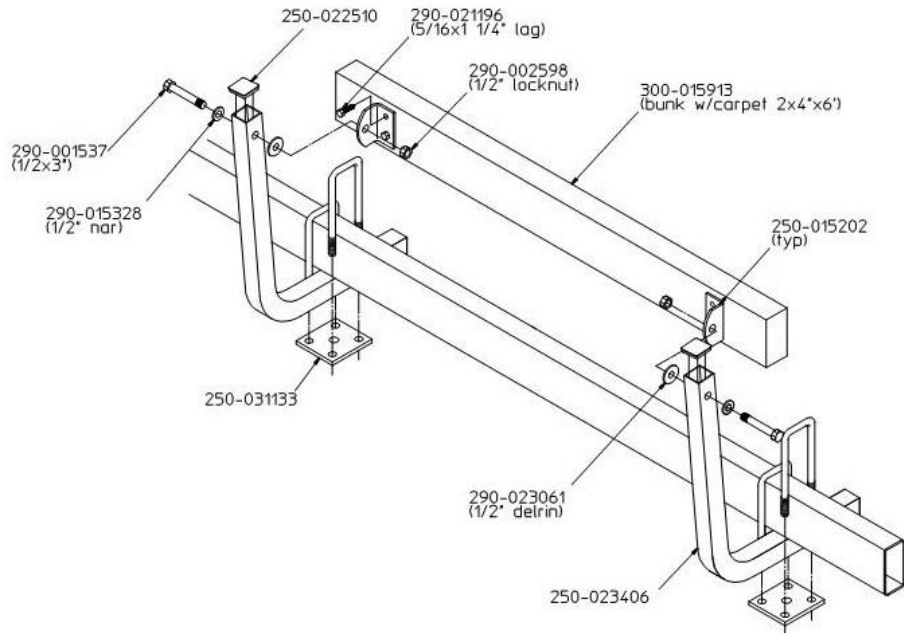
300-020637

4' Bunk Welded Tube Loadguides (pair)



300-021571

6' Bunk Bent Tube Loadguides (pair)

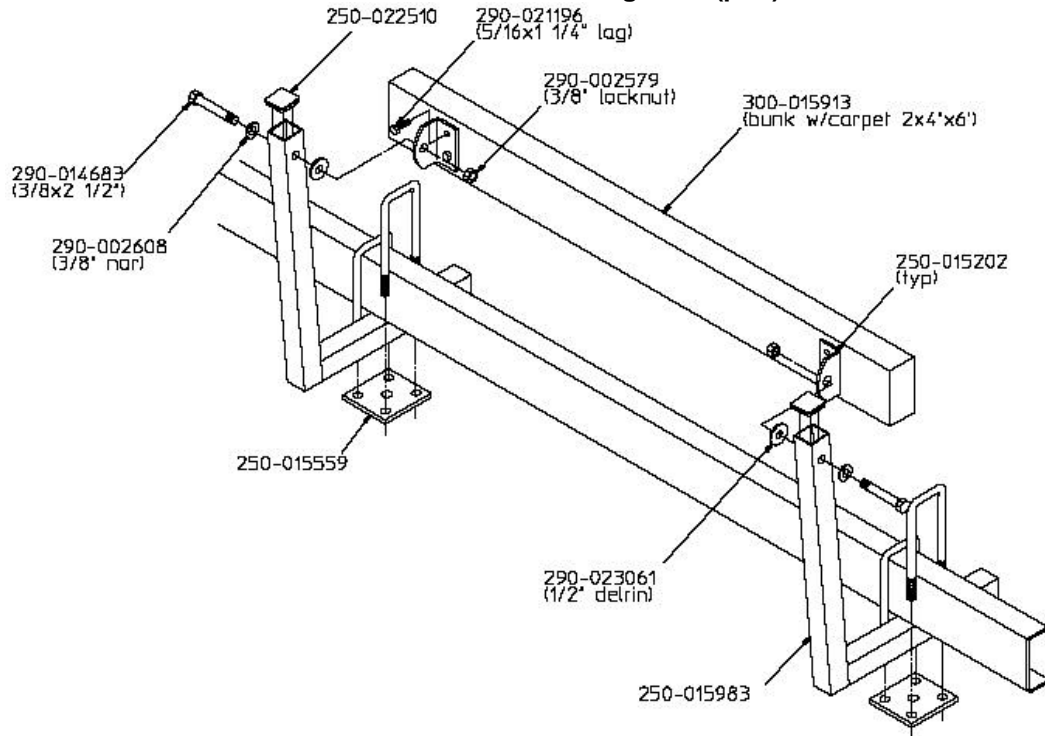


LOAD GUIDES

BUNK LOAD GUIDE ASSEMBLIES

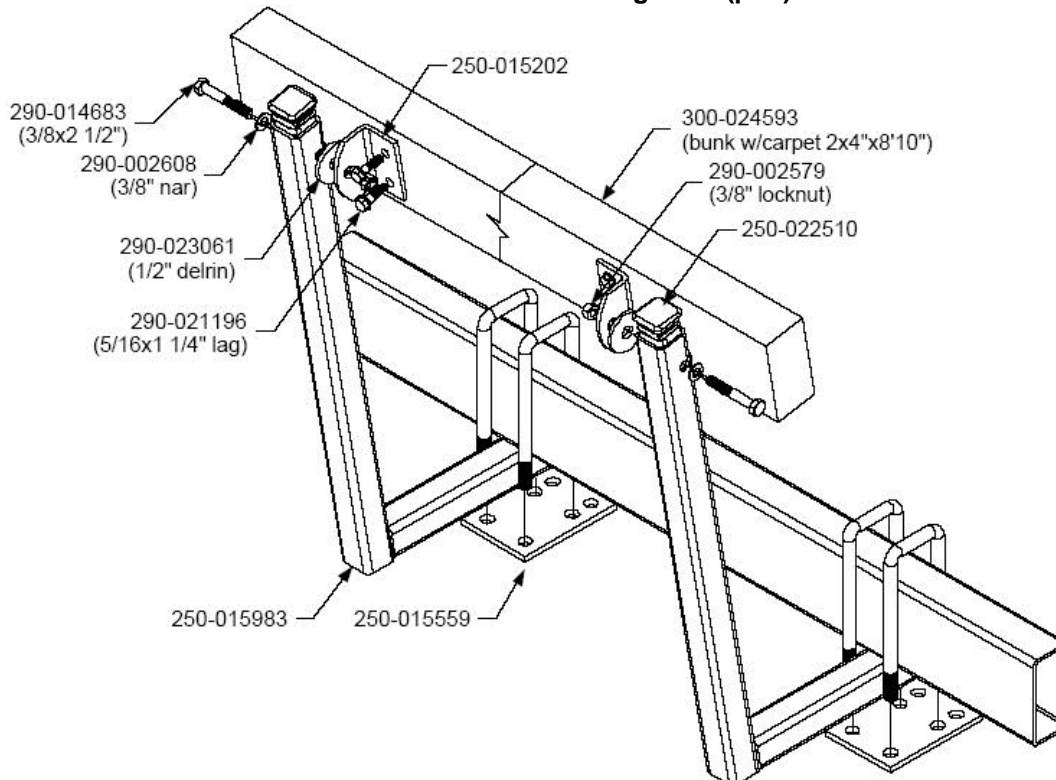
300-020636

6' Bunk Welded Tube Loadguides (pair)



300-024594

9' Bunk Welded Tube Loadguides (pair)

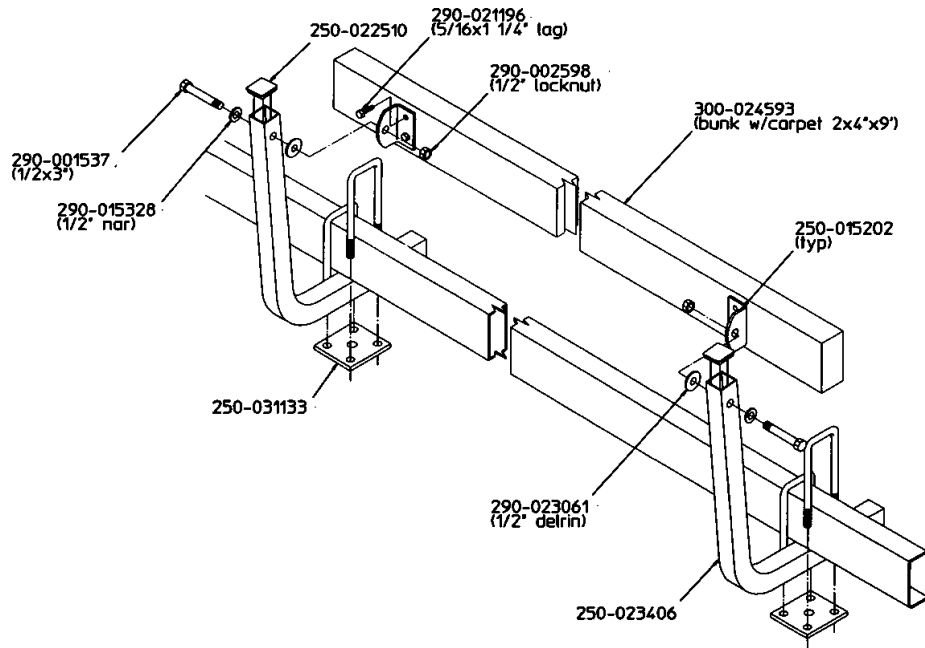


LOAD GUIDES

BUNK LOAD GUIDE ASSEMBLIES

300-027041

9' Bunk Bent Tube Loadguides (pair)



ROLLS

ROLL ARM ASSEMBLIES



A

B

C

D



E

F

G

H

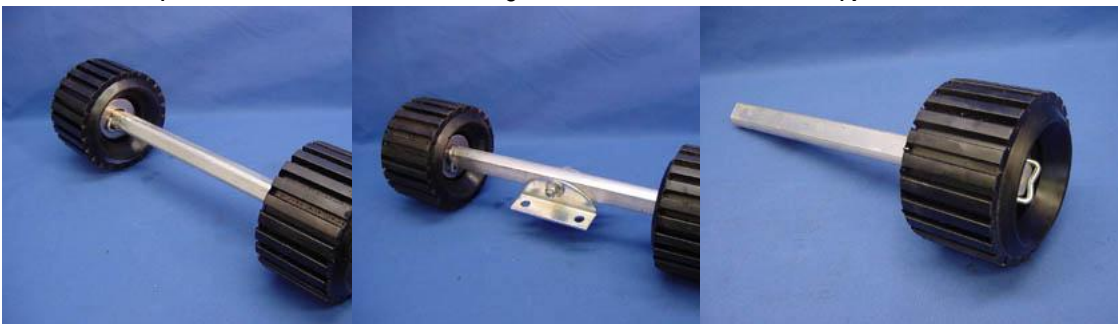


I

J

K

L



M

N

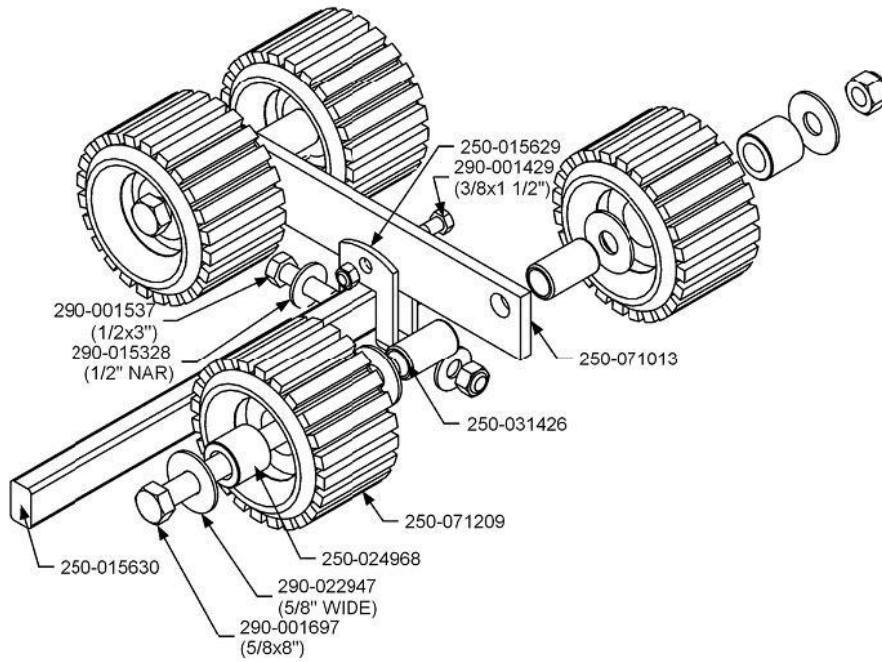
O

Part #	Description	Remarks	
A	300-011724	ARM ASM 15" SGL SLIDE CSHN	
B	300-021944	ARM ASM 12 1/2" DBL/SGL CSHN	
C	300-025140	ROLL QUAD KIT	
D	300-015980	QUAD/MULT MTG KIT	Replaces R10428
E	300-071417	ROLL W/WSHR CSHN 4 7/8"	REQUIRES HOGRINGS
F	300-010591	ARM ASM 15" MULT SLIDE CHSN	
G	300-010590	ARM ASM 15" QUAD SLIDE CSHN	
H	300-022213	ARM ASM 20" DBL/SGL CSHN	
I	300-022214	ARM ASM 20" DBL/SGL CSHN W/MTG	
J	290-002650-02	HOGRING	PLATED ONLY
K	300-022026	ARM ASM 12 1/2" DBL/SGL CSHN W/MTG	
L	300-022101	ROLL ASM 12 1/2" DBL/SGL W/MTG	
M	300-022345	ARM ASM 15" DBL/SGL CSHN (STRT)	
N	300-022346	ARM ASM 15" DBL/SGL CSHN W/MTG	
O	300-025381	ARM ASM 13" SINGLE SLIDE STRAIGHT	

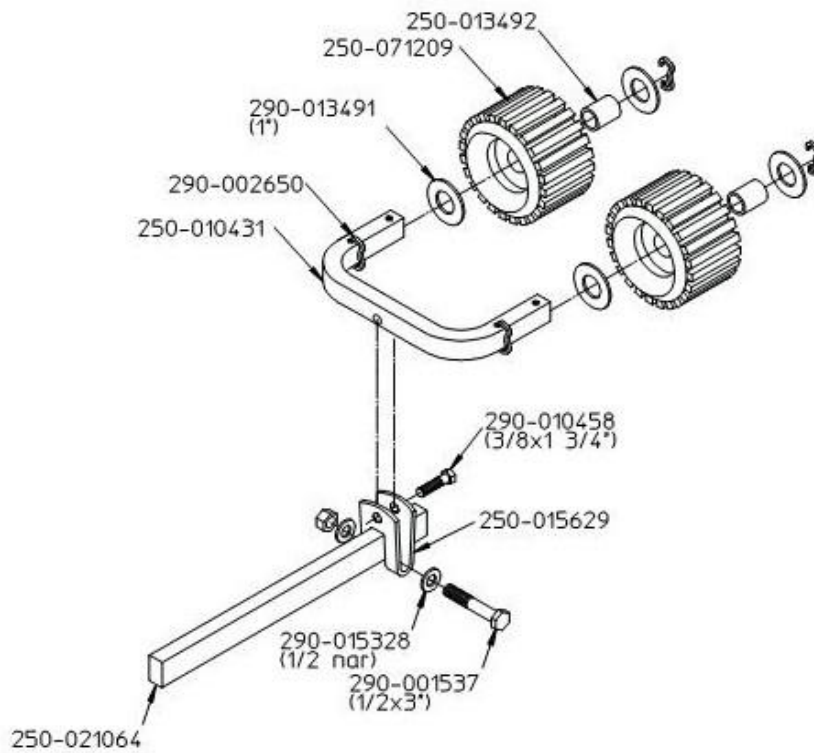
ROLLS

ROLL ARM ASSEMBLIES

300-010590



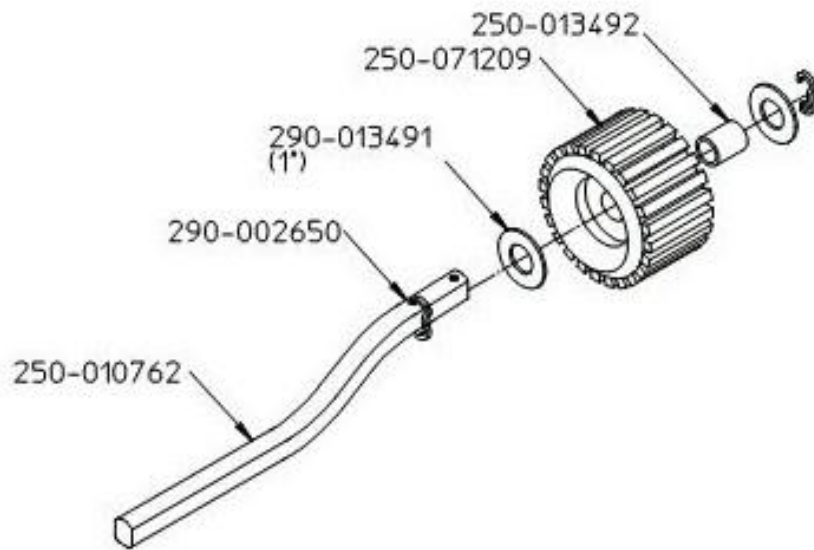
300-010591



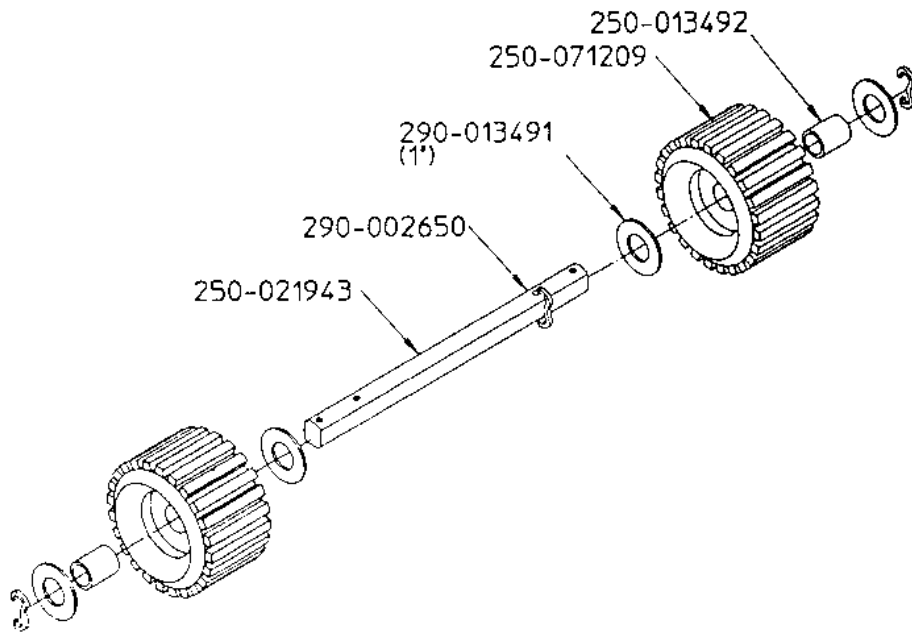
ROLLS

ROLL ARM ASSEMBLIES

300-011724



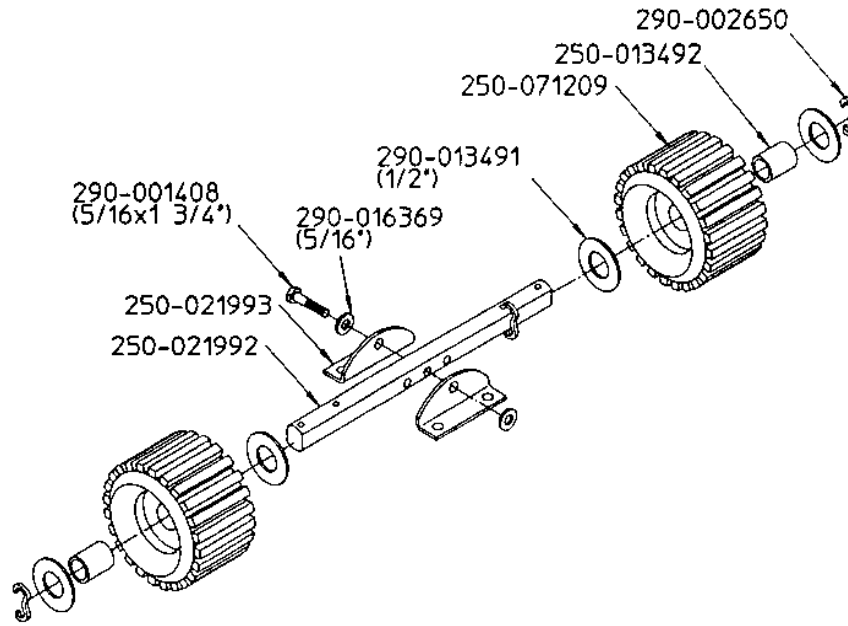
300-021944



ROLLS

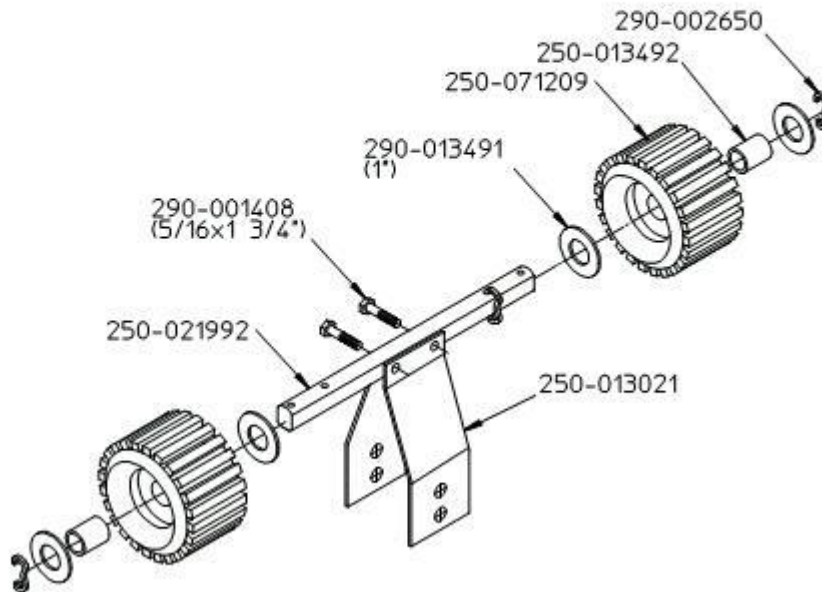
ROLL ARM ASSEMBLIES

300-022026



300-022101

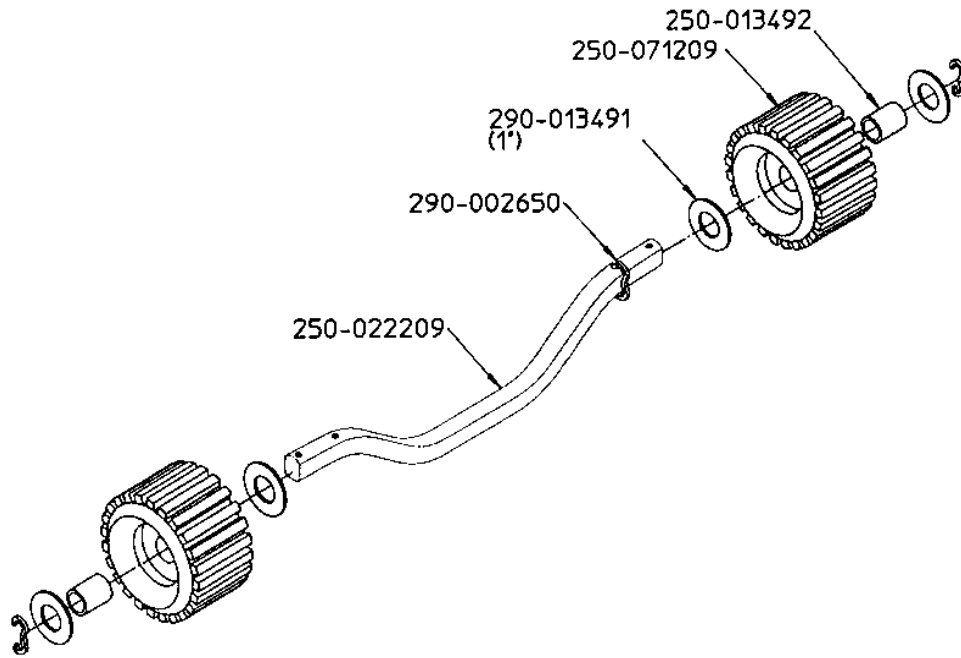
NOTE:
ASSEMBLE WITH FLAT SIDE OF ROLL ARM DOWN.



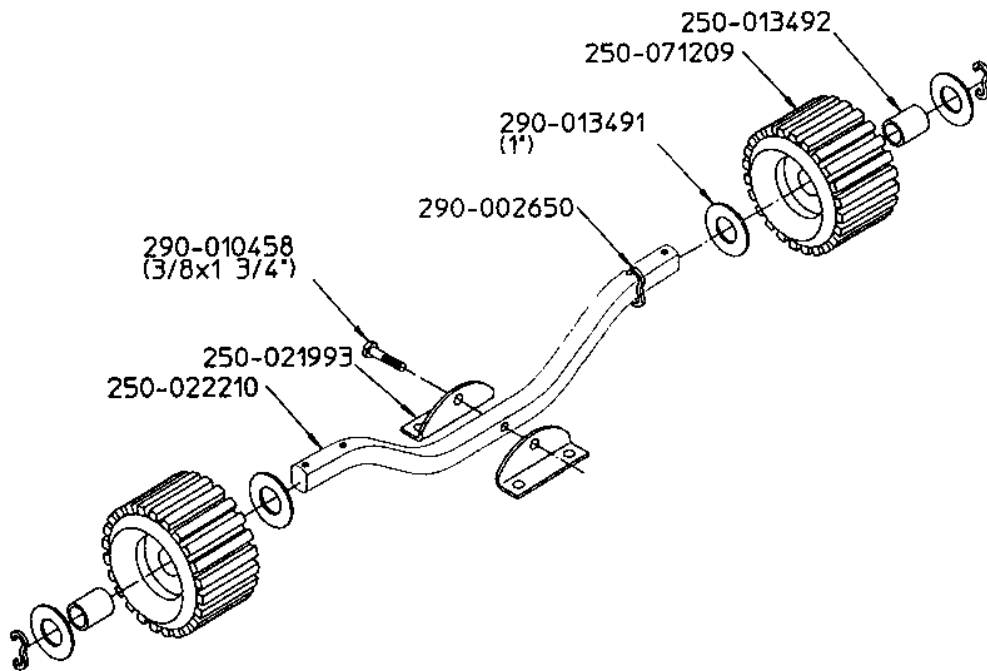
ROLLS

ROLL ARM ASSEMBLIES

300-022213



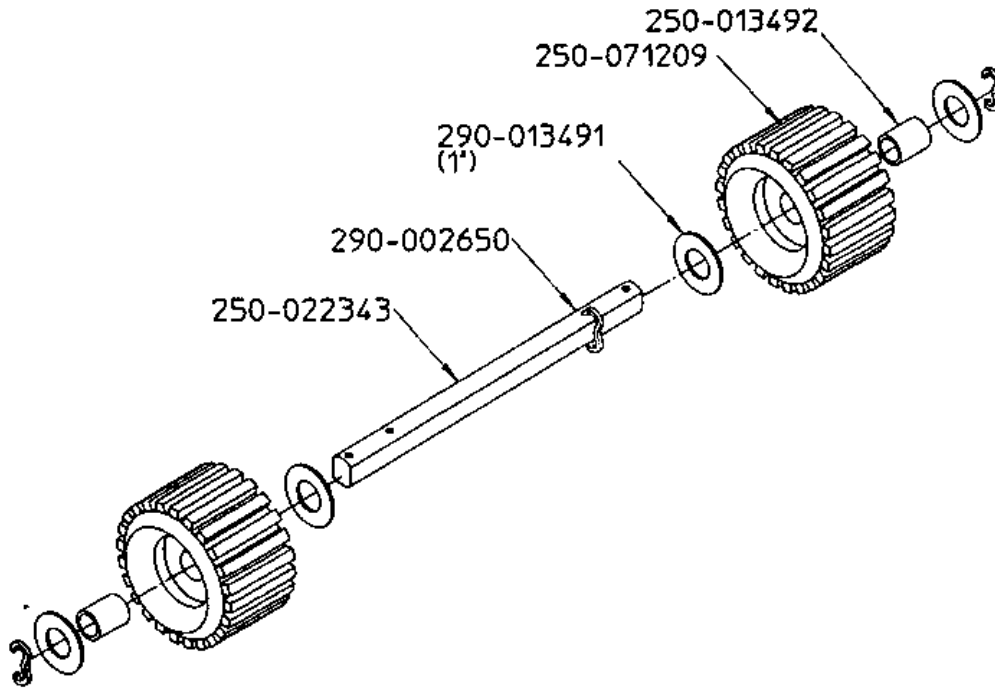
300-022214



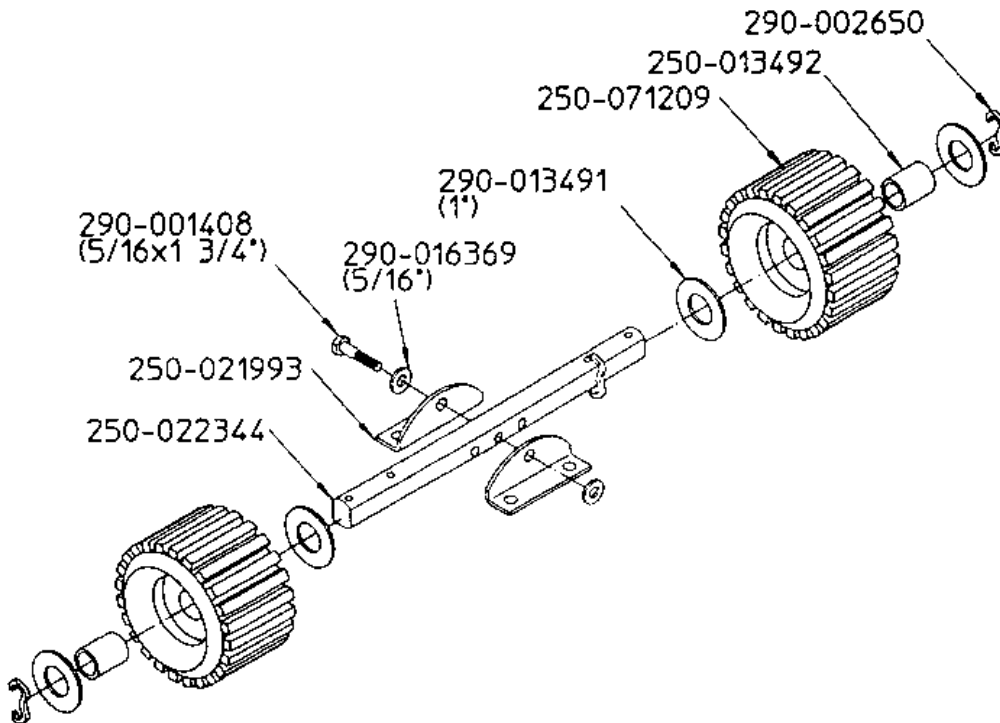
ROLLS

ROLL ARM ASSEMBLIES

300-022345



300-022346



ROLLS

ROLL ARM COMPONENTS



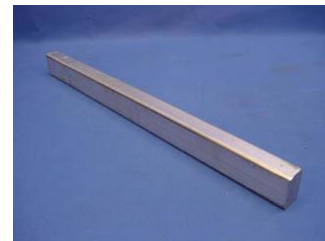
A



B



C



D



E



F



G



H



I



J



K



L



M



N



O



P



Q



R



S



T



U



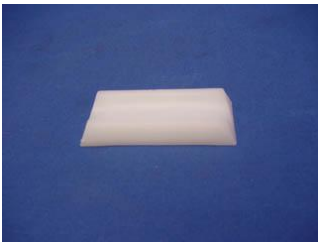
V



W



X



Y



Z

	Part #	Description	Remarks
A	250-071209	ROLL CSHN 4.88"	
B	250-071414	ROLL W/WSHR SMOOTH 4" 3/4" H (440R)	1974-1975
C	250-013492	BUSHING ROLL INSERT 1.025" I.D.	
D	250-015630-01	ARM MULT/QUAD 15"	
E	250-022211	PLATE BOLT ROLL ARM MTG (1 3/16")	PLATED ONLY
F	250-024968	BUSHING ROLL INSERT .812 I.D.	
G	250-025380-01	ARM SINGLE SLIDE STRAIGHT 13"	
H	250-010431-01	ARM MULT HD 14 1/2"	
I	250-010762-01	ARM EXT SGL 15" (CV)	
J	250-010794-10	PLATE RKR (W/STOP)	GALV ONLY
K	250-013021-10	STRAP BENT DBL/SGL MTG 7 11/16"	GALV ONLY
L	250-015629	QUAD/MULT ARM MTG STRAP	
M	250-015747	ROLL ARM CASTING 18" LF/RR (#1732-8)	
N	250-015748	ROLL ARM CASTING 18" RF/LR (#1732-8)	
O	250-021943-01	ARM DBL/SGL 12 1/2" (STRAIGHT)	
P	250-021993-02	PLATE BENT DBL/SGL MTG	PLATED ONLY
Q	250-022209-01	ARM DBL/SGL 20" (BENT)	
R	250-022210-01	ARM DBL/SGL 20" (BENT) W/HOLE	
S	250-022343-01	ARM DBL/SGL 15" (STRAIGHT)	
T	250-022344-01	ARM DBL/SGL 15" (STRAIGHT)W/HOLE	
U	250-071013-10	STRAP QUAD ROLL MTG 10 3/4" 3/8"H	GALV ONLY
V	290-013491	WASHER 1" NAR 1.062X2X.104" (CP)	
W	250-031426	BUSHING SPRING (NYLON)	
X	250-015758-10	TUBE ROLL 2X2X.120" 23.88" (obs)	GALV ONLY
Y	250-021769	GLIDE ROLL ARM POLY (.44 RAD)	
Z	290-022947	WASHER 5/8" WIDE .666X1.75X.100	

CHANNELS



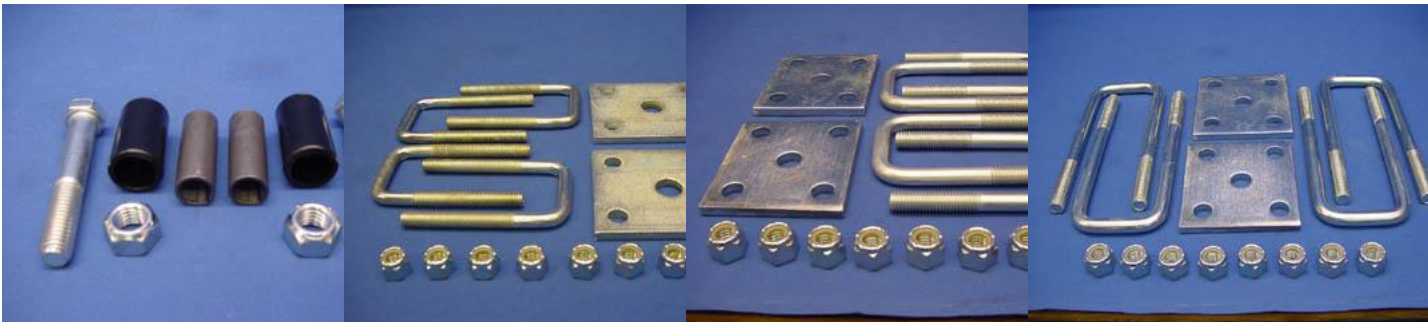
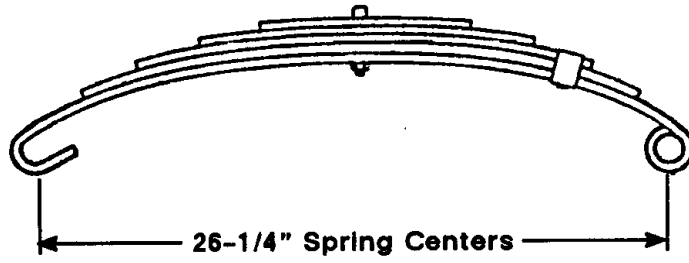
A



B

	Part #	Description	Remarks
A	250-022046	CHNL BUNK/ROLL MTG (38") WLD'D	-10 GALV -11 WHITE -12 BLACK
B	250-022047	CHNL BUNK/ROLL MTG (30") WLD'D QUAD	-10 GALV -11 WHITE -12 BLACK

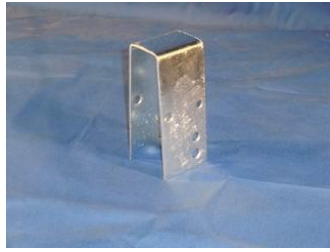
SPRINGS



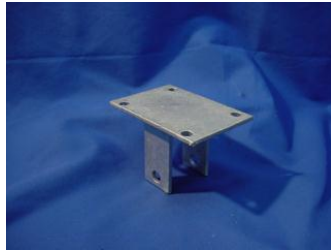
Part#	Description
A 250-031402	Spring C-1 2 Leaf (.323" Thick Each) 1600# Per pair
B 250-031405	Spring C-2 3 Leaf (.323" Thick Each) 2400# Per pair
C 250-031408	Spring C-3 3 Leaf (.360" Thick Each) 2950# Per pair
D 250-031411	Spring C-4 4 Leaf (.360" Thick Each) 3950# Per pair
E 250-031414	Spring C-5 5 Leaf (.360" Thick Each) 4900# Per pair
F 250-031417	Spring C-6 6 Leaf (.360" Thick Each) 5900# Per pair
G 250-031423	Bushing - Spring (Steel)
H 250-031426	Bushing - Spring (Nylon)
I 300-015973	Spring Bushing Kit (includes: 2EA Item 7, Item 8, 290-01616, and 290-02590)
J 300-015974	Spring Plate Maintenance Kit #1 spring
K 300-015975	Spring Plate Maintenance Kit #2 2x2 axle 3 & 4 leaf springs
L 300-015976	Spring Plate Maintenance Kit #3 2x3 axle 5 leaf springs
M 300-015977	Spring Plate Maintenance Kit #4 2x3 axle 6 leaf springs

SPRINGS

HANGERS



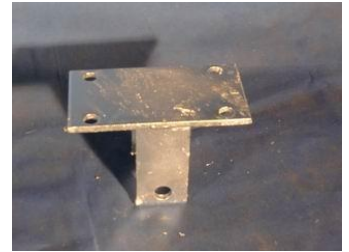
A



B



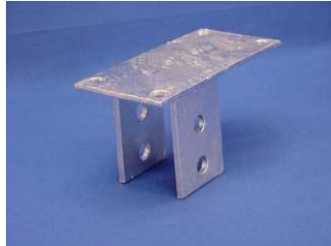
C



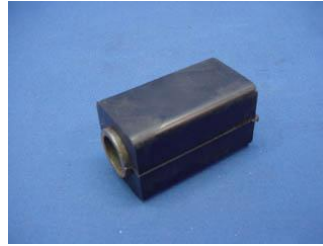
D



E



F



G



H

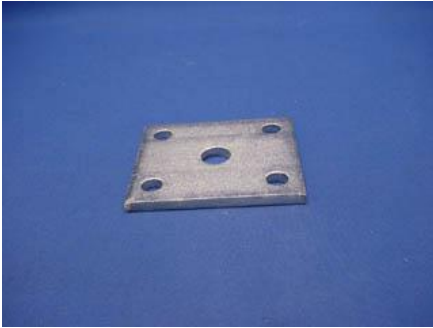


I

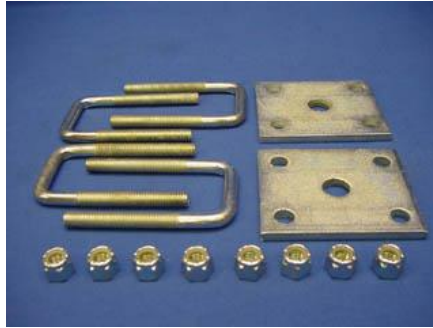
<i>Part #</i>	<i>Description</i>	<i>Remarks</i>
A 250-014861	HANGER SPG 8-12 2"BM 15 13/16"	-10 GALV -11 WHITE -12 BLACK
B 250-015514	HANGER SHACKLE TANDEM 3" FRAME	-10 GALV -11 WHITE -12 BLACK
C 250-015522	HANGER SPG LGT (3/16")	-10 GALV -11 WHITE -12 BLACK
D 250-023757	HANGER SHACKLE TNDM 2"FRAME CMPT	-10 GALV -11 WHITE -12 BLACK
E 250-024125	HANGER SPG (ONE PIECE) CMPT	-10 GALV -11 WHITE -12 BLACK
F 250-024766	HANGER SPG WLD'D (.19") 2"FRAME	-10 GALV -11 WHITE -12 BLACK
G 250-031580	BUSHING EQUALIZER	
H 300-015973	MAINT KIT SPG BUSHING	
I 250-031579-10	SHACKLE T SPG EQUAL	GALV ONLY

SPRINGS

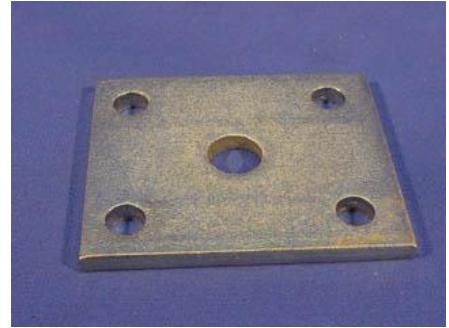
MAINTENANCE KITS



A



B



C



D



E



F

<i>Part #</i>	<i>Description</i>	<i>Remarks</i>
A	250-015795 PLATE AXLE BLT 1/4X3 1/2X3"	
B	300-015974 MAINT KIT#1 SPG PLATE (SPNT)	
C	250-031133 PLATE AXLE BLT U 2000#	
D	300-015975 MAINT KIT#2 SPG PLATE 2"AXLE C3/4 SPG	
E	300-015976 MAINT KIT#3 SPG PLATE 3"AXLE C5 SPG	
F	300-015977 MAINT KIT#4 SPG PLATE 3"AXLE C6 SPG	

TIRE AND WHEELS

SPARE TIRE CARRIER



A



B

	Part #	Description	Remarks
A	300-017444	CARRIER SPARE TIRE ASM (2&3"FRAME)	-10 GALV -11 WHITE -12 BLACK
B	300-027416	CARRIER SPARE TIRE ASM (8" AND 12" TW)	GALVANIZED ONLY

WHEELS



A



B



C



D



E



F



G

	Part #	Description	Remarks
A	250-032584-10	WHEEL 15X6" JJ 5H (2200# RATING)	2000 – 2004
B	250-029559-10	WHEEL 15X6" JJ 6H V FIVE	2000 – 2004
C	250-029557-10	WHEEL 13X4.5" 5H V-FIVE (GALVANIZED)	2005 – Present
D	250-029558-10	WHEEL 14X5.5" 5H V-FIVE (GALVANIZED)	2005 – Present
E	250-029557-11	WHEEL 13X4.5" 5H V FIVE (PAINTED WHITE)	2005 – Present
F	250-029558-11	WHEEL 14X5.5" 5H V FIVE (PAINTED WHITE)	2005 – Present
G	250-029560-10	WHEEL 16X6" 6H V FIVE (GALVANIZED)	2005 – Present

TIRES AND WHEELS

Note: Below is a list of EZ Loader Wheel Sizes:

8" 5 Hole	4 1/2" Bolt Circle
12" 5 Hole	4 1/2" Bolt Circle
13" 5 Hole	4 1/2" Bolt Circle
14" 5 Hole	4 1/2" Bolt Circle (Ford & Chrysler)
15" 5 Hole	4 1/2" Bolt Circle (Ford & Chrysler)
15" 6 Hole	5 1/2" Bolt Circle (General Motors)
16.5" 6 Hole	5 1/2" Bolt Circle (General Motors)

<i>Part#</i>	<i>Description</i>	<i>Remarks</i>
250-032769	TIRE ST175/80R13C CARLISLE	
250-032865	TIRE ST185/80R13C CARLISLE	
250-032867	TIRE ST205/75R14C CARLISLE	
250-032868	TIRE ST215/75R14C CARLISLE	
250-032619	TIRE ST225/75R15D CARLISLE	
250-033721	TIRE ST225/75R15E CARLISLE	
250-032869	TIRE ST235/80R16E CARLISLE	
300-031650	TIRE&WHL ST175/80R13C VF CARLISLE (E)	-10 GALV -11 WHITE -14 SILVER PAINT
300-031651	TIRE&WHL ST205/75R14C VF CARLISLE (E)	-10 GALV -11 WHITE -14 SILVER PAINT
300-031652	TIRE&WHL ST215/75R14C VF CARLISLE (E)	-10 GALV -11 WHITE -14 SILVER PAINT
300-031653	TIRE&WHL ST225/75R15D V FIVE 6H-CARLISLE	-10 GALV -11 WHITE -14 SILVER PAINT
300-032864	TIRE&WHL ST235/80R16E V FIVE CARLISLE	-10 GALV -11 WHITE -14 SILVER PAINT
250-029556	WHEEL 12X4" 5H V FIVE	-10 GALV -11 WHITE -14 SILVER PAINT
250-029557	WHEEL 13X4.5" 5H V FIVE	-10 GALV -11 WHITE -14 SILVER PAINT
250-029558	WHEEL 14X5.5" 5H V FIVE	-10 GALV -11 WHITE -14 SILVER PAINT
250-029559	WHEEL 15X6" 6H V FIVE	-10 GALV -11 WHITE -14 SILVER PAINT
250-029560	WHEEL 16X6" 6H V FIVE	-10 GALV -11 WHITE -14 SILVER PAINT

<i>Part #</i>	<i>Description</i>	<i>Remarks</i>
300-021909-10	TIRE&WHL 20.5X8X10E	-10 GALV -11 WHITE -14 SILVER PAINT
300-029561-10	TIRE&WHL 480X12B V FIVE	-10 GALV -11 WHITE -14 SILVER PAINT
300-031972-10	TIRE&WHL 480X8B	-10 GALV -11 WHITE -14 SILVER PAINT
300-029562-10	TIRE&WHL 530X12B V FIVE	-10 GALV -11 WHITE -14 SILVER PAINT
300-029563-10	TIRE&WHL 530X12C V FIVE	-10 GALV -11 WHITE -14 SILVER PAINT
300-029565-10	TIRE&WHL ST175/80R13C V FIVE	-10 GALV -11 WHITE -14 SILVER PAINT

TONGUES

SWING TONGUES



A



B



C



D

	Part #	Description	Remarks
A	300-032054	TNG ASSY SWING B/T CNCTR (3x4x6')	
B	300-032055	TNG ASSY SWING B/T CNCTR (3x4x7')	
C	300-032601	TNG ASSY SWING B/T CNCTR (3x3x6')	
D	300-032053	TNG ASSY SWING B/T CNCTR (3x3x7')	

COUPLERS



A



B



C

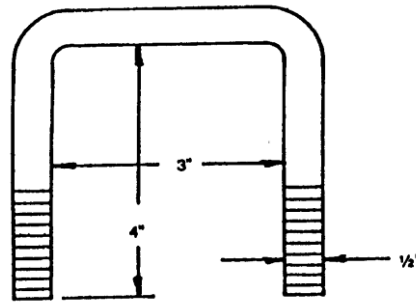


D

	Part #	Description	Remarks
A	250-021515	COUPLER 2" CLASS II (2" TNG) (3500#)	2" Tng 2" Ball
B	250-091405	COUPLER 2" CLASS II (3500#)	3" Tng 2" Ball
C	250-091408	COUPLER 2" CLASS III (5000#)	Hvy Duty 3" Tng 2" Ball
D	250-024180-02	COUPLER A-FRAME DBL WV (5000#)	A-Frame Pw2 2-Plc

U-BOLTS AND FASTENERS

U-BOLTS

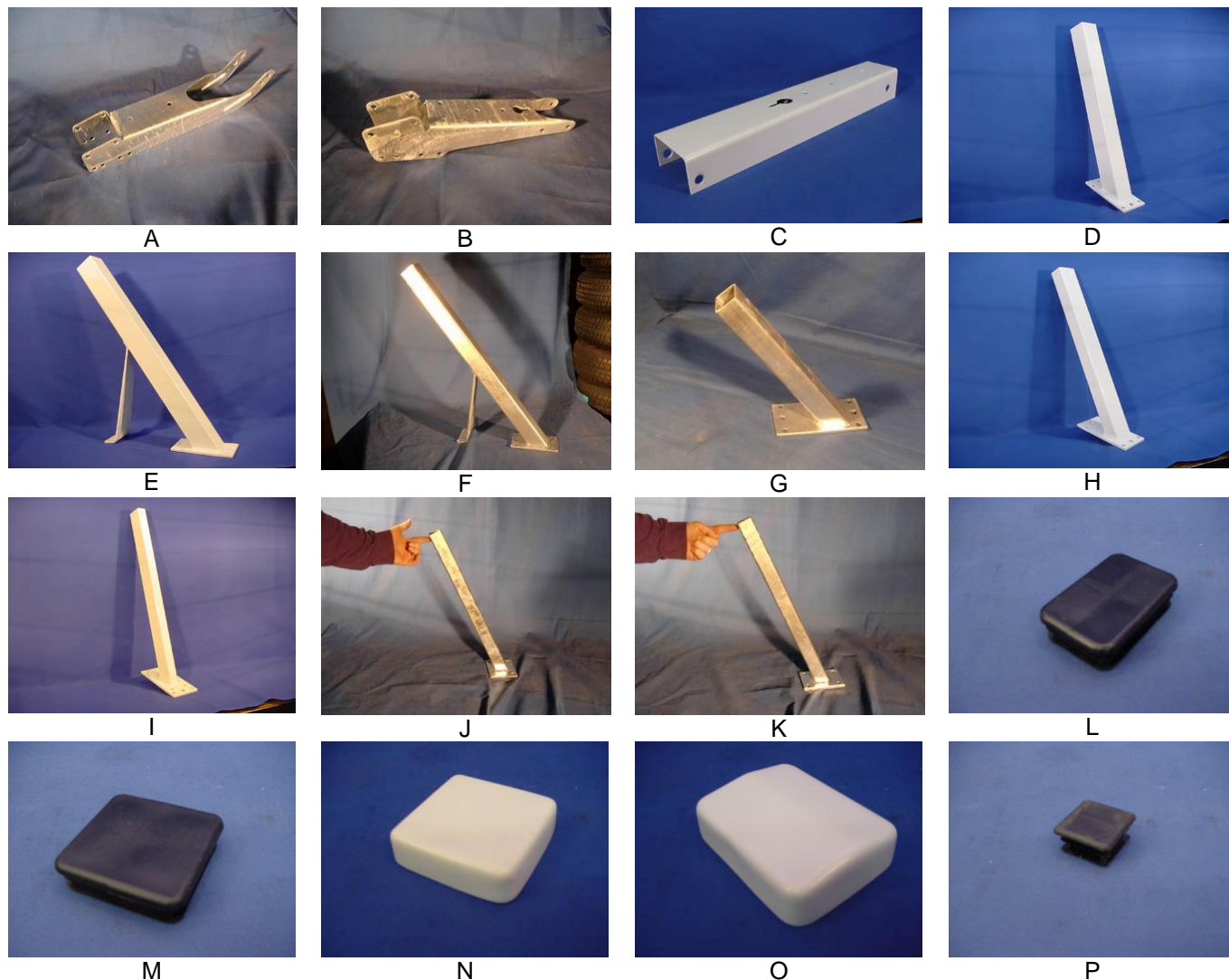


Part #	Description
290-002422	U BOLT 3/8-16x3x4"
290-002423	U BOLT 3/8-16x1 1/2x2 3/8"
290-002449	U BOLT 7/16-14x1 13/16x2 1/4"
290-002473	U BOLT 1/2-13x3x1 1/4"
290-002478	U BOLT 1/2-13x2x3 1/8"
290-002482	U BOLT 1/2-13x3x3 1/4"
290-002485	U BOLT 1/2-13x3x4 1/4"
290-002496	U BOLT 1/2-13x3x6 1/2"
290-002516	U BOLT 1/2-13x3x7 1/4"
290-002518	U BOLT 1/2-13x3x9"
290-002524	U BOLT 1/2-13x3x10"
290-002540	U BOLT 1/2-13x2x4 1/2"
290-011676	U BOLT 3/8-16x2 1/16x4"
290-014674	U BOLT 1/2-13x2x4"
290-015189	U BOLT 1/2-13x4x4 1/4" ZP (11-91)
290-015566	U BOLT 1/2-13x3x5 1/4"
290-015796	U BOLT 3/8-16x1 1/2x3 3/8"
290-020634	U BOLT 1/2-13x2x7 1/2"
290-020980	U BOLT 1/2-13x2x6 1/2"
290-021380	U BOLT 1/2-13x2x5 1/2"
290-021698	U BOLT 3/8-16x2x3"
290-021938	U BOLT 3/8-16x3/4x2"
290-022892	U BOLT 5/16-18x1 1/2x2 1/4"
290-022948	U BOLT 3/8-16x3x3"
290-023119	U BOLT 5/16-18x1 1/2x3 1/4"
290-024190	U BOLT 3/8-16x5x3"
290-026486	U BOLT 1/2-13x2 1/2x5"
290-026771	U BOLT 1/2-13x3x8"
290-027452	U BOLT 1/2-13x4x3 1/4"
290-027532	U BOLT 1/2-13x3x5 3/4"

NUTS/LOCKNUTS

Part #	Description
290-002598	LOCKNUT 1/2"-13 HEX (NE) ZP
290-014432	LOCKNUT 1/2"-13 HEX WNCH
290-010259	LOCKNUT 1/2"-20 HEX
290-010923	LOCKNUT 1/4"-20 KEP (ZP)
290-002573	LOCKNUT 3/4"-10 HEX
290-002579	LOCKNUT 3/8"-16 HEX (NE) ZP
290-002557	LOCKNUT 5/16"-18 HEX
290-020437	LOCKNUT 5/16"-24 HEX
290-002596	LOCKNUT 5/8"-11 HEX
290-002581	LOCKNUT 7/16"-14 HEX
290-002590	LOCKNUT 9/16"-12 HEX

WINCH STANDS



	Part #	Description	Remarks
A	250-021785	WINCH HEAD FORMED (CS XX-2)	-10 GALV -11 WHITE -12 BLACK
B	250-021779	WINCH HEAD FORMED (CS XX-3)	-10 GALV -11 WHITE -12 BLACK
C	250-013062	HEAD W/S CHNL SLT4 20"	-10 GALV -11 WHITE -12 BLACK
D	250-017761	WLD'D W/S BASE (CS 27-3)	-10 GALV -11 WHITE -12 BLACK
E	250-021780	W/S BASE WLD'D (CS 32-3)	-10 GALV -11 WHITE -12 BLACK
F	250-021781	W/S BASE WLD'D (CS 40-3)	-10 GALV -11 WHITE -12 BLACK
G	250-022557	WLD'D W/S BASE (CS 16-2)	-10 GALV -11 WHITE -12 BLACK
H	250-021791	WLD'D W/S BASE (CS 25-2)	-10 GALV -11 WHITE -12 BLACK
I	250-023124	WLD'D W/S BASE (CS 28-1) EZL	-10 GALV -11 WHITE -12 BLACK
J	250-024234	WLD'D W/S 1 1/2" SQ 20" WV (23°) 3" MTG	-10 GALV -11 WHITE -12 BLACK
K	250-024212	WLD'D W/S 1 1/2" SQ 20" WV (23°) 2" MTG	-10 GALV -11 WHITE -12 BLACK
L	250-021810	COVER TUBE (2X3) POLY	
M	250-021442	COVER TUBE (3X3) POLY	
N	250-012189	COVER TUBE 3X3X3/4" PLASTIC	
O	250-020394	COVER TUBE 3X4X3/4" PLASTIC	
P	250-022510	COVER TUBE (1 1/2X1 1/2)	

WINCHES, STRAPS, CABLES, HANDLES

WINCHES



A



B



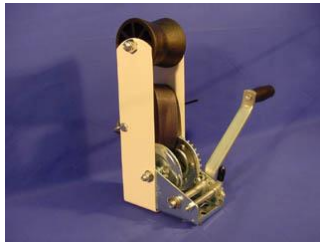
C



D



E



F



G

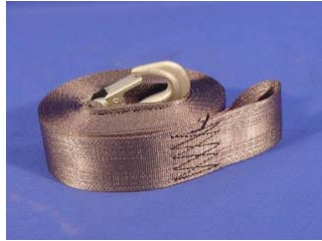


H

	Part #	Description
A	250-021808	WINCH T1500 (1500LB)
B	250-091462	WINCH T1801/5458 (1800#)
C	250-091449	WINCH T903/V900 V5403/T903 (900#)
D	300-032387	WINCH W/STRAP 3200#
E	300-023911	WINCH ASM 900# W/STRAP WV
F	300-023926	WINCH ASM 900# W/STRAP (CS XX-1)
G	300-025023	WINCH ASM 900# W/STRAP&ROLL (CS-XX-1)
H	250-025088	WINCH FULTON 1200#

WINCHES, STRAPS, CABLES, HANDLES

WINCH STRAPS



A



B



C



D



E



F

<i>Part #</i>	<i>Description</i>
A 300-021332	WINCH STRAP W/HK&BLT LOOP 2"X20' 4000#
B 250-023335	WINCH STRAP LOOP WV (T22896)
C 250-023615	WINCH STRAP W/HK&BLT LOOP 2"X14' 2000#
D 300-021334	WINCH STRAP KIT (INCLUDES BOLTS)
E 250-027093	WINCH STRAP 6000H 25'
F 250-032389	WINCH STRAP 10000# W/HOOK (2" WIDE)

WINCH HANDLES



A



B



C



D



E



F



G

<i>Part #</i>	<i>Mfg Description</i>	<i>Mfg Part#</i>	<i>EZ Winch Model</i>
A 250-091546	Fulton T1200 1337 8"	#6312	T21808 T1462 (OLD OBS #S)
B 250-023144	Fulton T850 0301 7"	#6312	T1449 (OLD OBS #)
C 250-091728	Fulton T1802 0301 10"	#6817	T1462 (OLD OBS #) 250-027092
D 250-091728	Fulton T3205 0301 10"	#6817	T11358 T1468 T1471 (OLD OBS #S)
E 250-091731 QR 5/8"	Fulton T2605 0301	#6817	T1459 T1468 T1471 (OLD OBS #S)
F 250-011149	Shelby 5403 5405	#0937	T21808 (OLD OBS #) 250-021808
G 250-011150	Shelby 5407 5408	#0854	T1459 (OLD OBS #)

NOTES
