

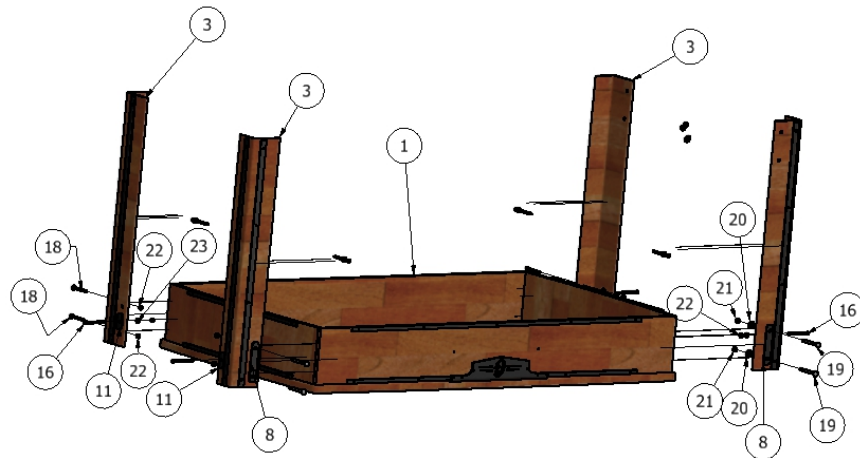


Guru's Vintage Table Assembly Instructions



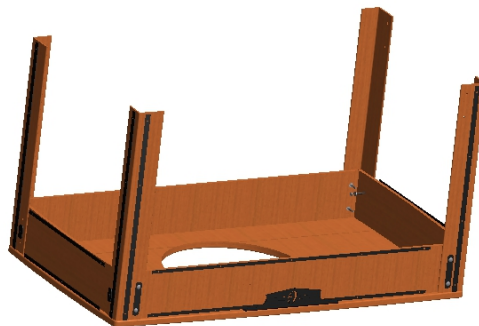
Hardware List:

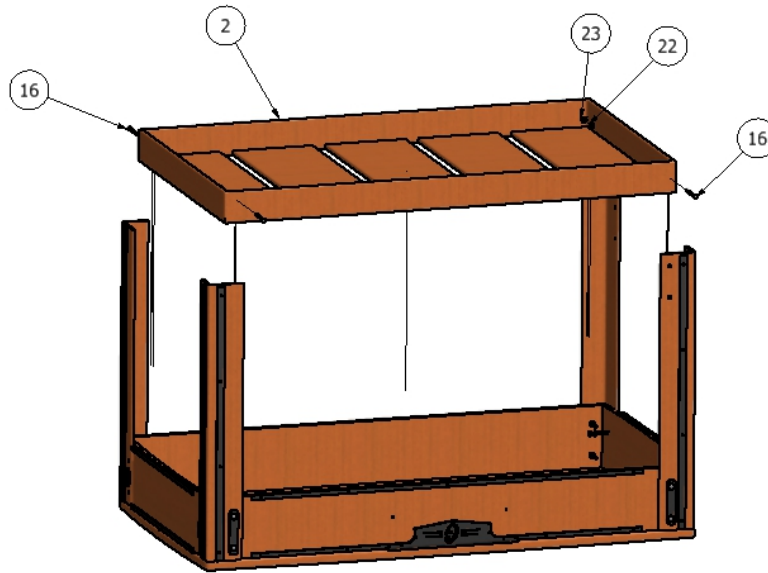
| Quantity | Description |
|-----------------|-----------------------------|
| 4 | ¼"-20 x 2.5" Carriage Bolt |
| 12 | ¼"-20 x 3" Carriage Bolt |
| 16 | ¼"-20 Hex Nuts |
| 16 | ¼" Flat Washer |
| 64 | #8 x ¾" Phillips Screw |
| 5 | 8-32 Phillips Machine Screw |
| 5 | 8-32 Hex Nut |



| Parts List | | | |
|------------|-----|-------------|---------------------------------|
| ITEM | QTY | PART NUMBER | DESCRIPTION |
| 1 | 1 | 705-1010-00 | Vintage Table Top |
| 3 | 4 | 705-1012-00 | Vintage Table Leg |
| 8 | 4 | 726-9012-00 | Vintage Table Front Brace Strip |
| 11 | 4 | 726-9011-00 | Vintage Table Side Brace Strip |
| 16 | 8 | 618-1055-50 | 1/4-20 X3" (GRS) Carriage Bolt |
| 18 | 4 | 618-2045-00 | 1/4-20 x 2 1/2 Carriage Bolt |
| 22 | 16 | 613-0057-00 | 1/4-20 Hex Nut |
| 23 | 16 | 619-0010-00 | 1/4 USS Flat Washer 18-8 SS |

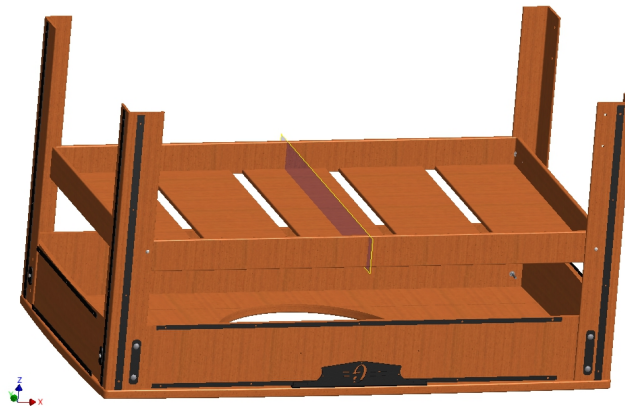
1. Lay the 705-1010-00 wood table top upside down on flat surface. Install the four 705-1012-00 wood legs to the top using $\frac{1}{4}$ " x 3 carriage bolt and side brace strip (11) through the single hole on outer ends. Install $\frac{1}{4}$ " x 2 $\frac{1}{2}$ " carriage bolt with front brace strip (8) through the double holes on front and back sides of the legs. Secure all bolts with $\frac{1}{4}$ flat washers and $\frac{1}{4}$ Hex nuts. Do not tighten hardware at this time. The assembly should look like the illustration below.

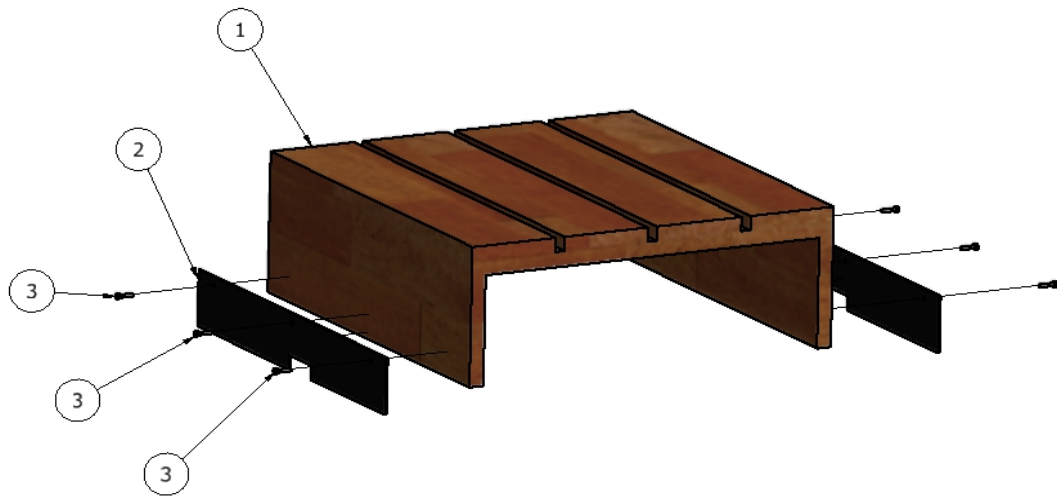




| Parts List | | | |
|------------|-----|-------------|--------------------------------|
| ITEM | QTY | PART NUMBER | DESCRIPTION |
| 2 | 1 | 705-1011-00 | Vintage Table Shelf |
| 16 | 8 | 618-1055-50 | 1/4-20 X3" (GRS) Carriage Bolt |
| 22 | 12 | 613-0057-00 | 1/4-20 Hex Nut |
| 23 | 12 | 619-0010-00 | 1/4 USS Flat Washer 18-8 SS |

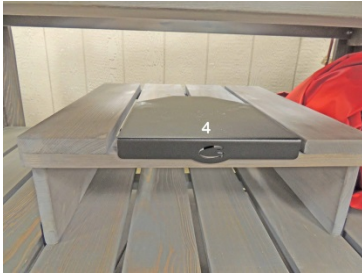
- Position the 705-1011-00 wood shelf, with top facing down between legs as shown above until holes line up. Secure the shelf to the legs using four $\frac{1}{4}$ " x 3" carriage bolts, $\frac{1}{4}$ " flat washers and $\frac{1}{4}$ " hex nuts. You can tighten all hardware at this time. The assembly should look like the illustration below.





| Parts List | | | |
|------------|-----|-------------|-------------------------|
| Item | Qty | Part Number | Description |
| 1 | 1 | 705-1013-00 | Grill Pedestal |
| 2 | 2 | 726-9017-00 | Pedestal Bracket |
| 3 | 4 | 8-18 x 3/4" | Phillips Pan Head Screw |
| 4 | 1 | 739-9125-00 | Pedestal Ash Shield |

3. Install the two grill pedestal brackets (2) on either side of the grill pedestal (1).
4. Turn the table over on its legs and set the grill pedestal between the boards on the shelf so that it is lined up with the hole for the grill in the table top.
5. The ash shield sits on top of the pedestal with the logo facing forward; see picture below. Your table assembly should look similar to the illustration below.



6. If your table should seem a little wobbly, loosen the leg carriage bolts slightly and then retighten while exerting downward pressure on the table top.
7. If you purchased the optional caster upgrade kit, 793-8003-00:
 - a. Mount the four casters to the four caster brackets using the 12mm lock washers and 12mm nut.
 - b. Turn your table over and mount the four caster assemblies to the ends of the legs using three ¼-20 carriage bolts, leave nuts finger tight for now.
 - c. Upright the table on the casters and tighten the caster bracket bolts.
8. If you do not use a caster upgrade, you may wish to consider setting table on paver stones so that the bottom of the legs do not set in water after rain storms.
9. Soap and water are recommended for cleaning your table.6

Thank you for purchasing our Gourmet Guru Grill Vintage table!